

Virtex-7 FPGA Gen3 Integrated Block for PCI Express v2.0

Product Guide for Vivado Design Suite

PG023 March 20, 2013

Table of Contents

IP Facts

Chapter 1: Overview

Feature Summary	8
Applications	8
Unsupported Features	9
Licensing and Ordering Information	9

Chapter 2: Product Specification

Standards Compliance	10
Resource Utilization	10
Block Selection	11
Port Descriptions	11
Attribute Descriptions	63
Configuration Space	66

Chapter 3: Designing with the Core

General Design Guidelines	74
Clocking	74
Resets	77
AXI4-Stream Interface Description	78
Clocking Requirements	84
Interface Operation	85
Power Management	154
Generating Interrupt Requests	157
Designing with Configuration Space Registers and Configuration Interface	161
Link Training: 2-Lane, 4-Lane, and 8-Lane Components	163
Lane Reversal	164
Tandem Configuration	165
Non-Project Flow	190
Known Restrictions	190

Chapter 4: Customizing and Generating the Core

Graphical User Interface (GUI)	193
Output Generation	216

Chapter 5: Constraining the Core

Required Constraints	221
Device, Package, and Speed Grade Selections	221
Clock Frequencies	222
Clock Management	222
Clock Placement	222
Stacked Silicon Interconnect Devices	222
Transceiver Placement	222
I/O Standard and Placement	226

Chapter 6: Detailed Example Design

Directory and File Contents	228
Example Design	228
Demonstration Test Bench	240
Implementation	256
Simulation	257

Appendix A: Migrating

Appendix B: Receiver Buffer Completion Space

Appendix C: Debugging

Finding Help on Xilinx.com	261
Debug Tools	263
Simulation Debug	266
Hardware Debug	267
FPGA Configuration	276

Appendix D: Attributes

Appendix E: Additional Resources

Xilinx Resources	329
References	329
Revision History	330
Notice of Disclaimer	331

Introduction

The LogiCORE™ IP Virtex®-7 FPGA Gen3 Integrated Block for PCI Express® core is a high-bandwidth, scalable, and reliable serial interconnect building block solution for use with all Virtex-7 XT and HT FPGAs except the XC7VX485T. The Integrated Block for PCI Express (PCIe®) solution supports 1-lane, 2-lane, 4-lane, and 8-lane Endpoint configurations, including Gen1 (2.5 GT/s), Gen2 (5.0 GT/s) and Gen3 (8 GT/s) speeds. It is compliant with *PCI Express Base Specification, rev. 3.0* [Ref 2]. This solution supports the AXI4-Stream interface for the customer user interface.

PCI Express offers a serial architecture that alleviates many limitations of parallel bus architectures by using clock data recovery (CDR) and differential signaling. Using CDR (as opposed to source synchronous clocking) lowers pin count, enables superior frequency scalability, and makes data synchronization easier. PCI Express technology, adopted by the PCI-SIG® as the next generation PCI™, is backward-compatible to the existing PCI software model.

With higher bandwidth per pin, low overhead, low latency, reduced signal integrity issues, and CDR architecture, the Integrated Block sets the industry standard for a high-performance, cost-efficient PCIe solution.

The Virtex-7 Gen3 Integrated Block for PCIe solution is compatible with industry-standard application form factors such as the PCI Express Card Electromechanical (CEM) v3.0 and the PCI Industrial Computer Manufacturers Group (PICMG) 3.4 specifications [Ref 2].

LogiCORE IP Facts Table	
Core Specifics	
Supported Device Family ⁽¹⁾	Virtex-7 XT and HT ⁽²⁾
Supported User Interfaces	AXI4-Stream
Resources	
Provided with Core	
Design Files	Verilog
Example Design	Verilog
Test Bench	Verilog
Constraints File	XDC
Simulation Model	Verilog
Supported S/W Drivers	N/A
Tested Design Flows⁽³⁾	
Design Entry	Vivado Design Suite
Simulation	Mentor Graphics Questa® SIM Vivado Simulator
Synthesis	Vivado Synthesis
Support	
Provided by Xilinx @ www.xilinx.com/support	

Notes:

1. For a complete listing of supported devices, see the Vivado IP catalog.
2. Except for the XC7VX485T.
3. For the supported versions of the tools, see the [Xilinx Design Tools: Release Notes Guide](#).

Features

The key features of the Virtex-7 FPGA Gen3 Integrated Block for PCI Express (8.0 GT/s) core are:

- High-performance, highly flexible, scalable, and reliable, general-purpose I/O core
 - Compliant with the *PCI Express Base Specification, rev. 3.0* [\[Ref 2\]](#)
 - Compatible with conventional PCI software model
- GTH transceivers
 - 2.5 GT/s, 5.0 GT/s, and 8.0 GT/s line speeds
 - 1-lane, 2-lane, 4-lane, and 8-lane operation
- Endpoint configuration
- Multiple Function and Single-Root I/O Virtualization in the Endpoint configuration
 - 2 Physical Functions
 - 6 Virtual Functions
- Standardized user interface(s)
 - Compliant to AXI4-Stream
 - Separate Requester, Completion, and Message interfaces
 - Flexible Data Alignment
 - Parity generation and checking on AXI4-Stream interfaces
 - Easy-to-use packet-based protocol
 - Full-duplex communication enabling
 - Optional back-to-back transactions to enable greater link bandwidth utilization
 - Support for flow control of data and discontinuation of an in-process transaction in transmit direction
 - Support for flow control of data in receive direction
- Compliant with PCI and PCI Express power management functions
- Optional Tag Management feature
- Maximum transaction payload of up to 1024 bytes
- End-to-End Cyclic Redundancy Check (ECRC)
- Advanced Error Reporting (AER)
- Multi-Vector MSI for up to 32 vectors and MSI-X
- Atomic Operations and TLP Processing Hints

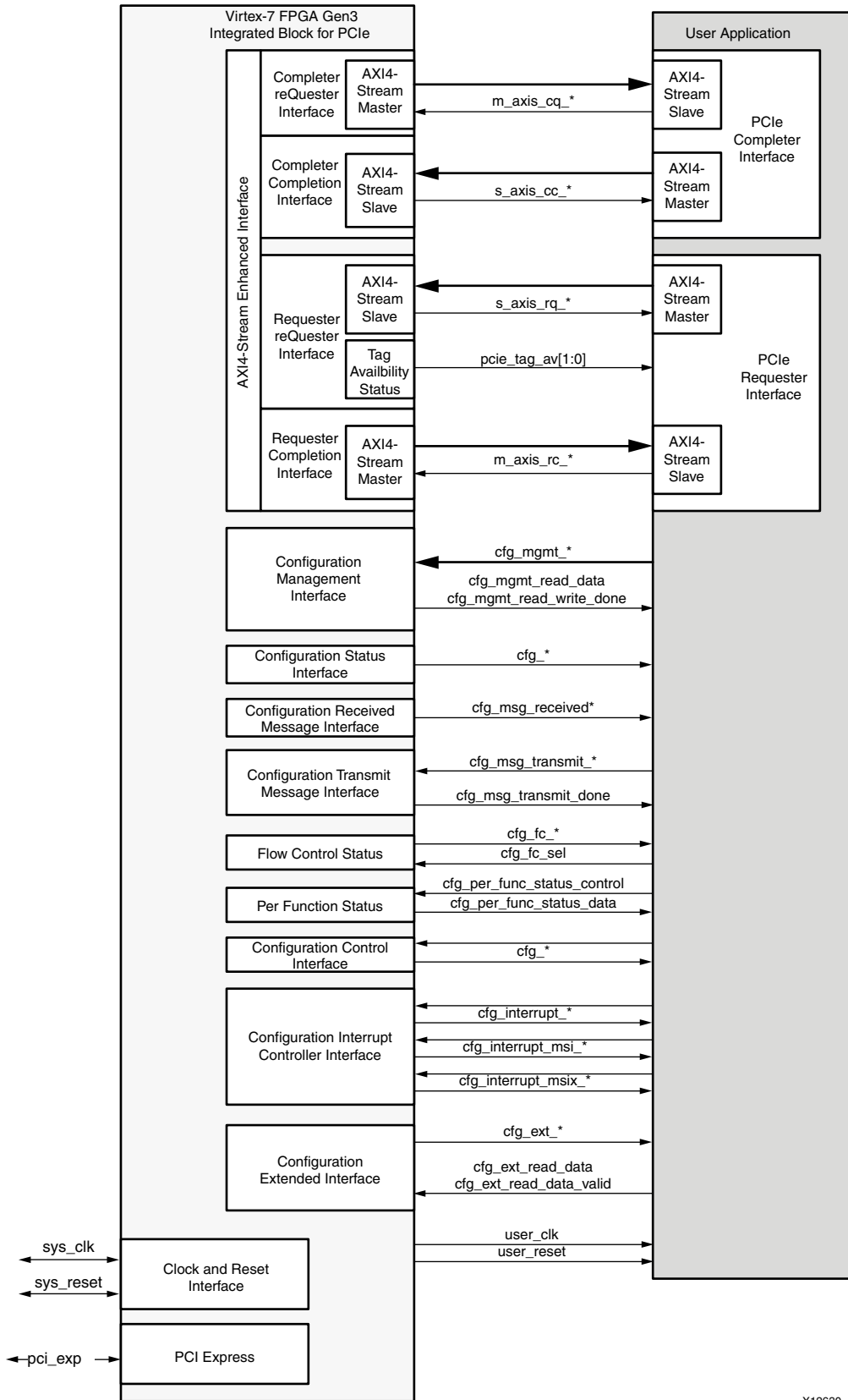
Overview

The LogiCORE™ IP Virtex®-7 FPGA Gen3 Integrated Block for PCI Express® core is a reliable, high-bandwidth, scalable serial interconnect building block for use with Virtex-7 XT and HT FPGAs, except for the XC7VX485T. The core instantiates the Integrated Block found in Virtex-7 XT and HT FPGAs.

The Virtex-7 FPGA Gen3 Integrated Block for PCI Express is an IP core available with the Vivado™ Design Suite.

For detailed information about the core, see the [Virtex-7 FPGA Gen3 Integrated Block for PCI Express product page](#).

[Figure 1-1](#) shows the interfaces for the core.



X12630

Figure 1-1: Virtex-7 FPGA Gen3 Integrated Block for PCI Express Interfaces

Feature Summary

The Virtex-7 FPGA Gen3 Integrated Block for PCI Express core is a high-bandwidth, scalable, and flexible general-purpose I/O core for use with most Virtex-7 XT and HT FPGAs. The GTH transceivers in the Integrated Block for PCI Express (PCIe®) solution support 1-lane, 2-lane, 4-lane, and 8-lane operation, running at 2.5 GT/s (Gen1), 5.0 GT/s (Gen2), and 8.0 GT/s (Gen3) line speeds. Endpoint configurations are supported.

The customer user interface is compliant with the AMBA® AXI4-Stream interface. This interface supports separate Requester, Completion, and Message interfaces. It allows for flexible data alignment and parity checking. Flow control of data is supported in the receive and transmit directions. The transmit direction additionally supports discontinuation of in-progress transactions. Optional back-to-back transactions utilize straddling to provide greater link bandwidth.

The Virtex-7 FPGA supports two physical functions and six virtual functions.

The core is compliant with PCI and PCI Express power management functions.

Applications

The core architecture enables a broad range of computing and communications target applications, emphasizing performance, cost, scalability, feature extensibility and mission-critical reliability. Typical applications include:

- Data communications networks
- Telecommunications networks
- Broadband wired and wireless applications
- Network interface cards
- Chip-to-chip and backplane interface cards
- Server add-in cards for various applications

Unsupported Features

The Integrated Block does not implement the Address Translation Service, but allows its implementation in external soft logic.

Switch ports and the Resizable BAR Extended Capability are not supported.

Licensing and Ordering Information

The LogiCORE IP Virtex-7 FPGA Gen3 Integrated Block for PCI Express core is provided at no additional cost with the Xilinx Vivado Design Suite under the terms of the [Xilinx End User License](#). Information about this and other Xilinx LogiCORE IP modules is available at the [Xilinx Intellectual Property](#) page. For information about pricing and availability of other Xilinx LogiCORE IP modules and tools, contact your [local Xilinx sales representative](#).

Product Specification

Standards Compliance

The Virtex®-7 FPGA Gen3 Integrated Block for PCI Express® solution is compatible with industry-standard application form factors such as the *PCI Express Card Electromechanical (CEM) v3.0* and the *PCI Industrial Computer Manufacturers Group (PICMG) 3.4* specifications [Ref 2].

Resource Utilization

Resources required for the Virtex-7 FPGA Gen3 Integrated Block for PCI Express core have been estimated for the Virtex-7 FPGA (Table 2-1). These values were generated using the Vivado™ Design Suite. The resources listed in Table 2-1 are for the default core configuration.

Table 2-1: Virtex-7 FPGA Gen3 Integrated Block for PCIe Resource Estimates

Lanes	GTHE2	FF ⁽¹⁾	LUT ⁽¹⁾	CMPS ⁽²⁾	RX Completion Buffer Size (KB)	RX Request Buffer Size (KB)	TX Replay Buffer Size (KB)	Block RAM Usage	
								RAMB18	RAMB36
1	1	566	832	128-1024	8	8	8	8	3
					16			12	
2	2	957	1384		8			8	
					16			12	
4	4	1740	2500		8			8	
					16			12	
8	8	3399	4818		8			8	
					16			12	

Notes:

1. Numbers are for the default core configuration. Actual LUT and FF utilization values vary based on specific configurations.
2. Capability Maximum Payload Size (CMPS).

Block Selection

Table 2-2 lists the Integrated Block for PCI Express available for use in FPGAs containing multiple Integrated Blocks. In some cases, not all Integrated Blocks can be used due to lack of bonded transceiver sites adjacent to the Integrated Block.

Table 2-2: Available Integrated Blocks for PCI Express

Device Selection		Integrated Block for PCI Express Location			
Device	Package	X0Y0	X0Y1	X0Y2	X0Y3
XC7VX330T	FFG1157 FFG1761	Yes	Yes		
XC7VX415T	FFG1157 FFG1158 FFG1927	Yes	Yes		
XC7VX550T	FFG1158		Yes	Yes	
	FFG1927	Yes	Yes	Yes	
XC7VX690T	FFG1157 FFG1158 FFG1930		Yes	Yes	
	FFG1761 FFG1926 FFG1927	Yes	Yes	Yes	
XC7VX980T	FFG1926 FFG1928	Yes	Yes	Yes	
	FFG1930		Yes	Yes	
XC7VX1140T	FLG1926	Yes	Yes	Yes	
	FLG1928	Yes	Yes	Yes	Yes
	FLG1930		Yes	Yes	
XC7VH580T	HCG1155	Yes			
	HCG1931 HCG1932	Yes	Yes		
	HCG1931		Yes	Yes	
XC7VH870T	HCG1931		Yes	Yes	
	HCG1932	Yes	Yes	Yes	

Port Descriptions

This section provides detailed port descriptions for the following interfaces:

- [AXI4-Stream Core Interfaces](#)

- [Other Core Interfaces](#)

AXI4-Stream Core Interfaces

In addition to status and control interfaces, the core has the following four required AXI4-Stream interfaces used to transfer and receive transactions:

- **Completer reQuest (CQ) Interface:** The interface through which all received requests from the link are delivered to the user application.
- **Completer Completion (CC) Interface:** The interface through which completions generated by the user application responses to the completer requests are transmitted. You can process all Non-Posted transactions as split transactions. That is, it can continue to accept new requests on the Requester Completion interface while sending a completion for a request.
- **Requester reQuest (RQ) Interface:** The interface through which the user application generates requests to remote PCIe® devices.
- **Requester Completion (RC) Interface:** The interface through which the completions received from the link in response to your requests are presented to the user application.

Completer reQuest (CQ) Interface

Table 2-3 defines the ports in the CQ interface of the core. In the Width column, DW denotes the configured data bus width (64, 128, or 256 bits)

Table 2-3: CQ Interface Port Descriptions

Port	Direction	Description	Width
m_axis_cq_tdata	Output	Transmit Data from the Completer reQuest Interface. Only the lower 128 bits are to be used when the interface width is 128 bits, and only the lower 64 bits are to be used when the interface width is 64 bits. Bits [255:128] are set permanently to 0 by the core when the interface width is configured as 128 bits, and bits [255:64] are set permanently to 0 when the interface width is configured as 64 bits.	DW/32
m_axis_cq_tuser	Output	Completer reQuest User Data. This set of signals contains sideband information for the TLP being transferred. These signals are valid when m_axis_cq_tvalid is High. Table 2-4, page 15 describes the individual signals in this set.	85
m_axis_cq_tlast	Output	TLAST indication for Completer reQuest Data. The core asserts this signal in the last beat of a packet to indicate the end of the packet. When a TLP is transferred in a single beat, the core sets this signal in the first beat of the transfer.	1

Table 2-3: CQ Interface Port Descriptions (Cont'd)

Port	Direction	Description	Width
m_axis_cq_tkeep	Output	<p>TKEEP indication for Completer reQuest Data. The assertion of bit <i>i</i> of this bus during a transfer indicates to the client that Dword <i>i</i> of the m_axis_cq_tdata bus contains valid data. The core sets this bit to 1 contiguously for all Dwords starting from the first Dword of the descriptor to the last Dword of the payload. Thus, m_axis_cq_tdata is set to all 1s in all beats of a packet, except in the final beat when the total size of the packet is not a multiple of the width of the data bus (both in Dwords). This is true for both Dword-aligned and address-aligned modes of payload transfer.</p> <p>Bits [7:4] of this bus are set permanently to 0 by the core when the interface width is configured as 128 bits, and bits [7:2] are set permanently to 0 when the interface width is configured as 64 bits.</p>	DW/32
m_axis_cq_tvalid	Output	<p>Completer reQuest Data Valid. The core asserts this output whenever it is driving valid data on the m_axis_cq_tdata bus. The core keeps the valid signal asserted during the transfer of a packet. The client application can pace the data transfer using the m_axis_cq_tready signal.</p>	1
m_axis_cq_tready	Input	<p>Completer reQuest Data Ready. Activation of this signal by the client logic indicates to the core that the client is ready to accept data. Data is transferred across the interface when both m_axis_cq_tvalid and m_axis_cq_tready are asserted in the same cycle. If the client deasserts the ready signal when m_axis_cq_tvalid is High, the core maintains the data on the bus and keeps the valid signal asserted until the client has asserted the ready signal.</p>	1

Table 2-3: CQ Interface Port Descriptions (Cont'd)

Port	Direction	Description	Width
pcie_cq_np_req	Input	<p>Completer reQuest Non-Posted Request. This input is used by the client application to request the delivery of a Non-Posted request. The core implements a credit-based flow control mechanism to control the delivery of Non-Posted requests across the interface, without blocking Posted TLPs.</p> <p>This input to the core controls an internal credit count. The credit count is incremented in each clock cycle when <code>pcie_cq_np_req</code> is High, and decremented on the delivery of each Non-Posted request across the interface. The core temporarily stops delivering Non-Posted requests to the client when the credit count is zero. It continues to deliver any Posted TLPs received from the link even when the delivery of Non-Posted requests has been paused.</p> <p>The client application can either provide a one-cycle pulse on <code>pcie_cq_np_req</code> each time it is ready to receive a Non-Posted request, or can keep it High permanently if it does not need to exercise selective backpressure on Non-Posted requests.</p> <p>The assertion and deassertion of the <code>pcie_cq_np_req</code> signal does not need to be aligned with the packet transfers on the completer request interface.</p>	1
pcie_cq_np_req_count	Output	<p>Completer reQuest Non-Posted Request Count. This output provides the current value of the credit count maintained by the core for delivery of Non-Posted requests to the client. The core delivers a Non-Posted request across the completer request interface only when this credit count is non-zero. This counter saturates at a maximum limit of 32.</p> <p>Because of internal pipeline delays, there can be several cycles of delay between the core receiving a pulse on the <code>pcie_cq_np_req</code> input and updating the <code>pcie_cq_np_req_count</code> output in response.</p>	6

Table 2-4: Sideband Signal Descriptions in m_axis_cq_tuser

Bit Index	Name	Width	Description
3:0	first_be[3:0]	4	Byte enables for the first Dword of the payload. This field reflects the setting of the First_BE bits in the Transaction-Layer header of the TLP. For Memory Reads and I/O Reads, these four bits indicate the valid bytes to be read in the first Dword. For Memory Writes and I/O Writes, these bits indicate the valid bytes in the first Dword of the payload. For Atomic Operations and Messages with a payload, these bits are set to all 1s. This field is valid in the first beat of a packet, that is, when sop and m_axis_cq_tvalid are both High.
7:4	last_be[3:0]	4	Byte enables for the last Dword. This field reflects the setting of the Last_BE bits in the Transaction-Layer header of the TLP. For Memory Reads, these four bits indicate the valid bytes to be read in the last Dword of the block of data. For Memory Writes, these bits indicate the valid bytes in the ending Dword of the payload. For Atomic Operations and Messages with a payload, these bits are set to all 1s. This field is valid in the first beat of a packet, that is, when sop and m_axis_cq_tvalid are both High.
39:8	byte_en[31:0]	32	The client logic can optionally use these byte enable bits to determine the valid bytes in the payload of a packet being transferred. The assertion of bit <i>i</i> of this bus during a transfer indicates to the client that byte <i>i</i> of the m_axis_cq_tdata bus contains a valid payload byte. This bit is not asserted for descriptor bytes. Although the byte enables can be generated by client logic from information in the request descriptor (address and length) as well as the settings of the first_be and last_be signals, the client has the option to use these signals directly instead of generating them from other interface signals. When the payload size is more than two Dwords (eight bytes), the one bit on this bus for the payload is always contiguous. When the payload size is two Dwords or less, the one bit can be non-contiguous. For the special case of a zero-length memory write transaction defined by the PCI Express specifications, the byte_en bits are all 0s when the associated one-DW payload is being transferred. Bits [31:16] of this bus are set permanently to 0 by the core when the interface width is configured as 128 bits, and bits [31:8] are set permanently to 0 when the interface width is configured as 64 bits.
40	sop	1	Start of packet. This signal is asserted by the core in the first beat of a packet to indicate the start of the packet. Use of this signal is optional for the client.

Table 2-4: Sideband Signal Descriptions in m_axis_cq_tuser (Cont'd)

Bit Index	Name	Width	Description
41	discontinue	1	<p>This signal is asserted by the core in the last beat of a TLP, if it has detected an uncorrectable error while reading the TLP payload from its internal FIFO memory. The client application must discard the entire TLP when such an error is signaled by the core.</p> <p>This signal is never asserted when the TLP has no payload. It is asserted only in a cycle when <code>m_axis_cq_tlast</code> is High.</p> <p>When the core is configured as an Endpoint, the error is also reported by the core to the Root Complex to which it is attached, using Advanced Error Reporting (AER).</p>
42	tph_present	1	<p>This bit indicates the presence of a Transaction Processing Hint (TPH) in the request TLP being delivered across the interface. This bit is valid when <code>sop</code> and <code>m_axis_cq_tvalid</code> are both High.</p>
44:43	tph_type[1:0]	2	<p>When a TPH is present in the request TLP, these two bits provide the value of the PH[1:0] field associated with the hint. These bits are valid when <code>sop</code> and <code>m_axis_cq_tvalid</code> are both High.</p>
52:45	tph_st_tag[7:0]	8	<p>When a TPH is present in the request TLP, this output provides the 8-bit Steering Tag associated with the hint. These bits are valid when <code>sop</code> and <code>m_axis_cq_tvalid</code> are both High.</p>
84:53	parity	32	<p>Odd parity for the 256-bit transmit data. Bit <i>i</i> provides the odd parity computed for byte <i>i</i> of <code>m_axis_cq_tdata</code>. Only the lower 16 bits are to be used when the interface width is 128 bits, and only the lower 8 bits are to be used when the interface width is 64 bits. Bits [31:16] are set permanently to 0 by the core when the interface width is configured as 128 bits, and bits [31:8] are set permanently to 0 when the interface width is configured as 64 bits.</p>

Completer Completion (CC) Interface

Table 2-5 defines the ports in the CC interface of the core. In the Width column, DW denotes the configured data bus width (64, 128, or 256 bits).

Table 2-5: CC Interface Port Descriptions

Port	Direction	Description	Width
s_axis_cc_tdata	Input	Completer Completion Data bus. Completion data from the client application to the core. Only the lower 128 bits are to be used when the interface width is 128 bits, and only the lower 64 bits are to be used when the interface width is 64 bits.	DW
s_axis_cc_tuser	Input	Completer Completion User Data. This set of signals contain sideband information for the TLP being transferred. These signals are valid when s_axis_cc_tvalid is High. Table 2-6, page 18 describes the individual signals in this set.	33
s_axis_cc_tlast	Input	TLAST indication for Completer Completion Data. The client application must assert this signal in the last cycle of a packet to indicate the end of the packet. When the TLP is transferred in a single beat, the client must set this bit in the first cycle of the transfer.	1
s_axis_cc_tkeep	Input	TKEEP indication for Completer Completion Data. The assertion of bit <i>i</i> of this bus during a transfer indicates to the core that Dword <i>i</i> of the s_axis_cc_tdata bus contains valid data. The client must set this bit to 1 contiguously for all Dwords starting from the first Dword of the descriptor to the last Dword of the payload. Thus, s_axis_cc_tdata must be set to all 1s in all beats of a packet, except in the final beat when the total size of the packet is not a multiple of the width of the data bus (both in Dwords). This is true for both Dword-aligned and address-aligned modes of payload transfer. Bits [7:4] of this bus are not used by the core when the interface width is configured as 128 bits, and bits [7:2] are not used when the interface width is configured as 64 bits.	DW/32
s_axis_cc_tvalid	Input	Completer Completion Data Valid. The client application must assert this output whenever it is driving valid data on the s_axis_cc_tdata bus. The client must keep the valid signal asserted during the transfer of a packet. The core paces the data transfer using the s_axis_cc_tready signal.	1
s_axis_cc_tready	Output	Completer Completion Data Ready. Activation of this signal by the core indicates that it is ready to accept data. Data is transferred across the interface when both s_axis_cc_tvalid and s_axis_cc_tready are asserted in the same cycle. If the core deasserts the ready signal when the valid signal is High, the client must maintain the data on the bus and keep the valid signal asserted until the core has asserted the ready signal.	1

Table 2-6: Sideband Signal Descriptions in s_axis_cc_tuser

Bit Index	Name	Width	Description
0	discontinue	1	<p>This signal can be asserted by the client application during a transfer if it has detected an error (such as an uncorrectable ECC error while reading the payload from memory) in the data being transferred and desires to abort the packet. The core nullifies the corresponding TLP on the link to avoid data corruption.</p> <p>The client can assert this signal during any cycle during the transfer. It can either choose to terminate the packet prematurely in the cycle where the error was signaled, or can continue until all bytes of the payload are delivered to the core. In the latter case, the core treats the error as sticky for the following beats of the packet, even if the client deasserts the discontinue signal before the end of the packet.</p> <p>The discontinue signal can be asserted only when s_axis_cc_tvalid is High. The core samples this signal only when s_axis_cc_tready is High. Thus, when asserted, it should not be deasserted until s_axis_cc_tready is High.</p> <p>When the core is configured as an Endpoint, this error is also reported by the core to the Root Complex to which it is attached, using AER.</p>
32:1	parity	32	<p>Odd parity for the 256-bit data. When parity checking is enabled in the core, client logic must set bit <i>i</i> of this bus to the odd parity computed for byte <i>i</i> of s_axis_cc_tdata. Only the lower 16 bits are to be used when the interface width is 128 bits, and only the lower 8 bits are to be used when the interface width is 64 bits.</p> <p>On detection of a parity error, the core nullifies the corresponding TLP on the link and reports it as an Uncorrectable Internal Error.</p> <p>The parity bits can be permanently tied to 0 if parity check is not enabled in the core.</p>

Requester reQuest (RQ) Interface

Table 2-7 defines the ports in the RQ interface of the core. In the Width column, DW denotes the configured data bus width (64, 128, or 256 bits).

Table 2-7: RQ Interface Port Descriptions

Port	Direction	Description	Width
s_axis_rq_tdata	Input	Requester reQuest Data bus. This input contains the requester-side request data from the client application to the core. Only the lower 128 bits are to be used when the interface width is 128 bits, and only the lower 64 bits are to be used when the interface width is 64 bits.	DW
s_axis_rq_tuser	Input	Requester reQuest User Data. This set of signals contains sideband information for the TLP being transferred. These signals are valid when s_axis_rq_tvalid is High. Table 2-8, page 21 describes the individual signals in this set.	60
s_axis_rq_tlast	Input	TLAST Indication for Requester reQuest Data. The client application must assert this signal in the last cycle of a TLP to indicate the end of the packet. When the TLP is transferred in a single beat, the client must set this bit in the first cycle of the transfer.	1
s_axis_rq_tkeep	Input	TKEEP Indication for Requester reQuest Data. The assertion of bit <i>i</i> of this bus during a transfer indicates to the core that Dword <i>i</i> of the s_axis_rq_tdata bus contains valid data. The client must set this bit to 1 contiguously for all Dwords, starting from the first Dword of the descriptor to the last Dword of the payload. Thus, s_axis_rq_tdata must be set to all 1s in all beats of a packet, except in the final beat when the total size of the packet is not a multiple of the width of the data bus (both in Dwords). This is true for both Dword-aligned and address-aligned modes of payload transfer. Bits [7:4] of this bus are not used by the core when the interface width is configured as 128 bits, and bits [7:2] are not used when the interface width is configured as 64 bits.	DW/32
s_axis_rq_tready	Output	Requester reQuest Data Ready. Activation of this signal by the core indicates that it is ready to accept data. Data is transferred across the interface when both s_axis_rq_tvalid and s_axis_rq_tready are asserted in the same cycle. If the core deasserts the ready signal when the valid signal is High, the client must maintain the data on the bus and keep the valid signal asserted until the core has asserted the ready signal.	1
s_axis_rq_tvalid	Input	Requester reQuest Data Valid. The client application must assert this output whenever it is driving valid data on the s_axis_rq_tdata bus. The client must keep the valid signal asserted during the transfer of a packet. The core paces the data transfer using the s_axis_rq_tready signal.	1

Table 2-7: RQ Interface Port Descriptions (Cont'd)

Port	Direction	Description	Width
pcie_rq_seq_num	Output	Requester reQuest TLP transmit sequence number. The client can optionally use this output to track the progress of the request in the core's transmit pipeline. To use this feature, the client must provide a sequence number for each request on the <code>s_axis_rq_seq_num[3:0]</code> bus. The core outputs this sequence number on the <code>pcie_rq_seq_num[3:0]</code> output when the request TLP has reached a point in the pipeline where a Completion TLP from the client cannot pass it. This mechanism enables the client to maintain ordering between Completions sent to the completer completion interface of the core and Posted requests sent to the requester request interface. Data on the <code>pcie_rq_seq_num[3:0]</code> output is valid when <code>pcie_rq_seq_num_vld</code> is High.	4
pcie_rq_seq_num_vld	Output	Requester reQuest TLP transmit sequence number valid. This output is asserted by the core for one cycle when it has placed valid data on <code>pcie_rq_seq_num[3:0]</code> .	1
pcie_rq_tag	Output	Requester reQuest Non-Posted tag. When tag management for Non-Posted requests is performed by the core (<code>AXISTEN_IF_ENABLE_CLIENT_TAG</code> is 0), this output is used by the core to communicate the allocated tag for each Non-Posted request received from the client. The tag value on this bus is valid for one cycle when <code>pcie_rq_tag_vld</code> is High. The client must copy this tag and use it to associate the completion data with the pending request. There can be a delay of several cycles between the transfer of the request on the <code>s_axis_rq_tdata</code> bus and the assertion of <code>pcie_rq_tag_vld</code> by the core to provide the allocated tag for the request. Meanwhile, the client can continue to send new requests. The tags for requests are communicated on this bus in FIFO order, so the client can easily associate the tag value with the request it transferred.	6
pcie_rq_tag_vld	Output	Requester reQuest Non-Posted tag valid. The core asserts this output for one cycle when it has allocated a tag to an incoming Non-Posted request from the requester request interface and placed it on the <code>pcie_rq_tag</code> output.	1

Table 2-8: Sideband Signal Descriptions in s_axis_rq_tuser

Bit Index	Name	Width	Description
3:0	first_be[3:0]	4	<p>Byte enables for the first Dword. This field must be set based on the desired value of the First_BE bits in the Transaction-Layer header of the request TLP. For Memory Reads, I/O Reads, and Configuration Reads, these four bits indicate the valid bytes to be read in the first Dword. For Memory Writes, I/O Writes, and Configuration Writes, these bits indicate the valid bytes in the first Dword of the payload.</p> <p>The core samples this field in the first beat of a packet, when <code>s_axis_rq_tvalid</code> and <code>s_axis_rq_tready</code> are both High.</p>
7:4	last_be[3:0]	4	<p>Byte enables for the last Dword. This field must be set based on the desired value of the Last_BE bits in the Transaction-Layer header of the TLP. For Memory Reads of two Dwords or more, these four bits indicate the valid bytes to be read in the last Dword of the block of data. For Memory Writes of two Dwords or more, these bits indicate the valid bytes in the last Dword of the payload.</p> <p>The core samples this field in the first beat of a packet, when <code>s_axis_rq_tvalid</code> and <code>s_axis_rq_tready</code> are both High.</p>
10:8	addr_offset[2:0]	3	<p>When the address-aligned mode is in use on this interface, the client application must provide the byte lane number where the payload data begins on the data bus, modulo 4, on this sideband bus. This enables the core to determine the alignment of the data block being transferred.</p> <p>The core samples this field in the first beat of a packet, when <code>s_axis_rq_tvalid</code> and <code>s_axis_rq_tready</code> are both High. When the requester request interface is configured in the Dword-alignment mode, this field must always be set to 0.</p>
11	discontinue	1	<p>This signal can be asserted by the client application during a transfer if it has detected an error in the data being transferred and desires to abort the packet. The core nullifies the corresponding TLP on the link to avoid data corruption.</p> <p>The client can assert this signal in any cycle during the transfer. It can either choose to terminate the packet prematurely in the cycle where the error was signaled, or can continue until all bytes of the payload are delivered to the core. In the latter case, the core treats the error as sticky for the following beats of the packet, even if the client deasserts the discontinue signal before the end of the packet.</p> <p>The discontinue signal can be asserted only when <code>s_axis_rq_tvalid</code> is High. The core samples this signal only when <code>s_axis_rq_tready</code> is High. Thus, when asserted, it should not be deasserted until <code>s_axis_rq_tready</code> is High. When the core is configured as an Endpoint, this error is also reported by the core to the Root Complex to which it is attached, using Advanced Error Reporting (AER).</p>

Table 2-8: Sideband Signal Descriptions in `s_axis_rq_tuser` (Cont'd)

Bit Index	Name	Width	Description
12	<code>tph_present</code>	1	This bit indicates the presence of a Transaction Processing Hint (TPH) in the request TLP being delivered across the interface. The core samples this field in the first beat of a packet, when <code>s_axis_rq_tvalid</code> and <code>s_axis_rq_tready</code> are both High. This bit must be permanently tied to 0 if the TPH capability is not in use.
14:13	<code>tph_type[1:0]</code>	2	When a TPH is present in the request TLP, these two bits provide the value of the PH[1:0] field associated with the hint. The core samples this field in the first beat of a packet, when <code>s_axis_rq_tvalid</code> and <code>s_axis_rq_tready</code> are both High. These bits can be set to any value if <code>tph_present</code> is set to 0.
15	<code>tph_indirect_tag_en</code>	1	When this bit is set, the core uses the lower bits of <code>tph_st_tag[7:0]</code> as an index into its Steering Tag Table, and insert the tag from this location in the transmitted request TLP. When this bit is 0, the core uses the value on <code>tph_st_tag[7:0]</code> directly as the Steering Tag. The core samples this bit in the first beat of a packet, when <code>s_axis_rq_tvalid</code> and <code>s_axis_rq_tready</code> are both High. This bit can be set to any value if <code>tph_present</code> is set to 0.
23:16	<code>tph_st_tag[7:0]</code>	8	When a TPH is present in the request TLP, this output provides the 8-bit Steering Tag associated with the hint. The core samples this field in the first beat of a packet, when <code>s_axis_rq_tvalid</code> and <code>s_axis_rq_tready</code> are both High. These bits can be set to any value if <code>tph_present</code> is set to 0.
27:24	<code>seq_num[3:0]</code>	4	The client can optionally supply a 4-bit sequence number in this field to keep track of the progress of the request in the core's transmit pipeline. The core outputs this sequence number on its <code>pcie_rq_seq_num[3:0]</code> output when the request TLP has progressed to a point in the pipeline where a Completion TLP from the client is not able to pass it. The core samples this field in the first beat of a packet, when <code>s_axis_rq_tvalid</code> and <code>s_axis_rq_tready</code> are both High. This input can be hardwired to 0 when the client is not monitoring the <code>pcie_rq_seq_num[3:0]</code> output of the core.
59:28	<code>parity</code>	32	Odd parity for the 256-bit data. When parity checking is enabled in the core, client logic must set bit <i>i</i> of this bus to the odd parity computed for byte <i>i</i> of <code>s_axis_rq_tdata</code> . Only the lower 16 bits are to be used when the interface width is 128 bits, and only the lower 8 bits are to be used when the interface width is 64 bits. On detection of a parity error, the core nullifies the corresponding TLP on the link and reports it as an Uncorrectable Internal Error. These bits can be set to 0 if parity checking is disabled in the core.

Requester Completion (RC) Interface

Table 2-9 defines the ports in the RC interface of the core. In the Width column, DW denotes the configured data bus width (64, 128, or 256 bits).

Table 2-9: RC Interface Port Descriptions

Port	Direction	Description	Width
m_axis_rc_tdata	Output	Requester Completion Data bus. Transmit data from the Core requester completion interface to the client application. Only the lower 128 bits are used when the interface width is 128 bits, and only the lower 64 bits are used when the interface width is 64 bits. Bits [255:128] are set permanently to 0 by the core when the interface width is configured as 128 bits, and bits [255:64] are set permanently to 0 when the interface width is configured as 64 bits.	DW
m_axis_rc_tuser	Output	Requester Completion User Data. This set of signals contains sideband information for the TLP being transferred. These signals are valid when m_axis_rc_tvalid is High. Table 2-10, page 25 describes the individual signals in this set.	75
m_axis_rc_tlast	Output	TLAST indication for Requester Completion Data. The core asserts this signal in the last beat of a packet to indicate the end of the packet. When a TLP is transferred in a single beat, the core sets this bit in the first beat of the transfer. This output is used only when the straddle option is disabled. When the straddle option is enabled (for 256-bit interface), the core sets this output permanently to 0.	1

Table 2-9: RC Interface Port Descriptions (Cont'd)

Port	Direction	Description	Width
m_axis_rc_tkeep	Output	<p>TKEEP indication for Requester Completion Data. The assertion of bit <i>i</i> of this bus during a transfer indicates to the client that Dword <i>i</i> of the m_axis_rc_tdata bus contains valid data. The core sets this bit to 1 contiguously for all Dwords starting from the first Dword of the descriptor to the last Dword of the payload. Thus, m_axis_rc_tkeep will set to all 1s in all beats of a packet, except in the final beat when the total size of the packet is not a multiple of the width of the data bus (both in Dwords). This is true for both Dword-aligned and address-aligned modes of payload transfer.</p> <p>Bits [7:4] of this bus are set permanently to 0 by the core when the interface width is configured as 128 bits, and bits [7:2] are set permanently to 0 when the interface width is configured as 64 bits.</p> <p>These outputs are permanently set to all 1s when the interface width is 256 bits and the straddle option is enabled. The client logic must use the signals in m_axis_rc_tuser in that case to determine the start and end of Completion TLPs transferred over the interface.</p>	DW/32
m_axis_rc_tvalid	Output	<p>Requester Completion Data Valid. The core asserts this output whenever it is driving valid data on the m_axis_rc_tdata bus. The core keeps the valid signal asserted during the transfer of a packet. The client application can pace the data transfer using the m_axis_rc_tready signal.</p>	1
m_axis_rc_tready	Input	<p>Requester Completion Data Ready. Activation of this signal by the client logic indicates to the core that the client is ready to accept data. Data is transferred across the interface when both m_axis_rc_tvalid and m_axis_rc_tready are asserted in the same cycle. If the client deasserts the ready signal when the valid signal is High, the core maintains the data on the bus and keeps the valid signal asserted until the client has asserted the ready signal.</p>	1

Table 2-10: Sideband Signal Descriptions in `m_axis_rc_tuser`

Bit Index	Name	Width	Description
31:0	<code>byte_en</code>	32	<p>The client logic can optionally use these byte enable bits to determine the valid bytes in the payload of a packet being transferred. The assertion of bit i of this bus during a transfer indicates to the client that byte i of the <code>m_axis_rc_tdata</code> bus contains a valid payload byte. This bit is not asserted for descriptor bytes.</p> <p>Although the byte enables can be generated by client logic from information in the request descriptor (address and length), the client has the option to use these signals directly instead of generating them from other interface signals. The 1 bit in this bus for the payload of a TLP is always contiguous.</p> <p>Bits [31:16] of this bus are set permanently to 0 by the core when the interface width is configured as 128 bits, and bits [31:8] are set permanently to 0 when the interface width is configured as 64 bits.</p>
32	<code>is_sof_0</code>	1	<p>Start of a first Completion TLP. For 64-bit and 128-bit interfaces, and for the 256-bit interface with no straddling, <code>is_sof_0</code> is asserted by the core in the first beat of a packet to indicate the start of the TLP. On these interfaces, only a single TLP can be started in a data beat, and <code>is_sof_1</code> is permanently set to 0. Use of this signal is optional for the client when the straddle option is not enabled.</p> <p>When the interface width is 256 bits and the straddle option is enabled, the core can straddle two Completion TLPs in the same beat. In this case, the Completion TLPs are not formatted as AXI4-Stream packets. The assertion of <code>is_sof_0</code> indicates a Completion TLP starting in the beat. The first byte of this Completion TLP is in byte lane 0 if the previous TLP ended before this beat, or in byte lane 16 if the previous TLP continues in this beat.</p>
33	<code>is_sof_1</code>	1	<p>Start of a second Completion TLP. This signal is used when the interface width is 256 bits and the straddle option is enabled, when the core can straddle two Completion TLPs in the same beat. The output is permanently set to 0 in all other cases.</p> <p>The assertion of <code>is_sof_1</code> indicates a second Completion TLP starting in the beat, with its first byte in byte lane 16. The core starts a second TLP at byte position 16 only if the previous TLP ended in one of the byte positions 0-15 in the same beat; that is, only if <code>is_eof_0[0]</code> is also set in the same beat.</p>
37:34	<code>is_eof_0[3:0]</code>	4	<p>End of a first Completion TLP and the offset of its last Dword. These outputs are used only when the interface width is 256 bits and the straddle option is enabled.</p> <p>The assertion of the bit <code>is_eof_0[0]</code> indicates the end of a first Completion TLP in the current beat. When this bit is set, the bits <code>is_eof_0[3:1]</code> provide the offset of the last Dword of this TLP.</p>

Table 2-10: Sideband Signal Descriptions in m_axis_rc_tuser (Cont'd)

Bit Index	Name	Width	Description
41:38	is_eof_1[3:0]	4	<p>End of a second Completion TLP and the offset of its last Dword. These outputs are used only when the interface width is 256 bits and the straddle option is enabled. The core can then straddle two Completion TLPs in the same beat. These outputs are reserved in all other cases.</p> <p>The assertion of <code>is_eof_1[0]</code> indicates a second TLP ending in the same beat. When bit 0 of <code>is_eof_1</code> is set, bits [3:1] provide the offset of the last Dword of the TLP ending in this beat. Because the second TLP can only end at a byte position in the range 27–31, <code>is_eof_1[3:1]</code> can only take one of two values (6 or 7).</p> <p>The offset for the last byte of the second TLP can be determined from the starting address and length of the TLP, or from the byte enable signals <code>byte_en[31:0]</code>. If <code>is_eof_1[0]</code> is High, the signals <code>is_eof_0[0]</code> and <code>is_sof_1</code> are also High in the same beat.</p>
42	discontinue	1	<p>This signal is asserted by the core in the last beat of a TLP, if it has detected an uncorrectable error while reading the TLP payload from its internal FIFO memory. The client application must discard the entire TLP when such an error is signaled by the core.</p> <p>This signal is never asserted when the TLP has no payload. It is asserted only in the last beat of the payload transfer; that is, when <code>is_eof_0[0]</code> is High.</p> <p>When the straddle option is enabled, the core does not start a second TLP if it has asserted <code>discontinue</code> in a beat.</p> <p>When the core is configured as an Endpoint, the error is also reported by the core to the Root Complex to which it is attached, using Advanced Error Reporting (AER).</p>
74:43	parity	32	<p>Odd parity for the 256-bit transmit data. Bit <i>i</i> provides the odd parity computed for byte <i>i</i> of <code>m_axis_rc_tdata</code>. Only the lower 16 bits are used when the interface width is 128 bits, and only the lower 8 bits are used when the interface width is 64 bits. Bits [31:16] are set permanently to 0 by the core when the interface width is configured as 128 bits, and bits [31:8] are set permanently to 0 when the interface width is configured as 64 bits.</p>

Other Core Interfaces

The core also provides these interfaces:

- Transmit Flow Control Interface:** The interface used by the user application to request which flow control information the core provides. This interface provides the Posted/Non-Posted Header Flow Control Credits, Posted/Non-Posted Data Flow Control Credits, the Completion Header Flow Control Credits, and the Completion Data Flow

Control Credits to the user application based upon the setting flow control select input to the core.

- **Configuration Management Interface:** The interface is used to read and write to the Configuration Space Registers.
- **Configuration Status Interface:** The interface provides information on how the core is configured, such as the negotiated link width and speed, the power state of the core, and configuration errors.
- **Configuration Received Message Interface:** The interface indicates to the logic that a decodable message from the link, the parameters associated with the data, and the type of message have been received.
- **Configuration Transmit Message Interface:** The interface is used by the user application to transmit messages to the core. The user application supplies the transmit message type and data information to the core, which responds with the Done signal.
- **Per Function Status Interface:** The interface provides status data as requested by the user application through the selected function.
- **Configuration Control Interface:** The interface signals allow a broad range of information exchange between the user application and the core. The user application uses this interface to set the configuration space; indicate if a correctable or uncorrectable error has occurred; set the device serial number; set the Downstream Bus, Device, and Function Number; and receive per function configuration information. This interface also provides handshaking between the user application and the core when a Power State change or function level reset occurs.
- **Configuration Interrupt Controller Interface:** The interface allows the user application to set Legacy PCIe interrupts, MSI interrupts, or MSI-X interrupts. The core provides the interrupt status on the configuration interrupt sent and fail signals.
- **Configuration Extend Interface:** The interface allows the core to transfer configuration information with the user application when externally implemented configuration registers are implemented.
- **Clock and Reset Interface:** Fundamental to the operation of the core, the interface provides the system level clock and reset to the core as well as the user application clock and reset signal.
- **PCI Express Interface:** The interface contains all of the differential transmit and receive pairs.

Transmit Flow Control Interface

Table 2-11 defines the ports in the Transmit Flow Control interface of the core.

Table 2-11: Transmit Flow Control Interface Port Descriptions

Port	Direction	Description	Width
pcie_tfc_nph_av	Output	<p>Transmit flow control Non-Posted header credits available. This output indicates the currently available header credit for Non-Posted TLPs on the transmit side of the core. Client logic can check this output before transmitting a Non-Posted request on the requester request interface, to avoid blocking the interface when no credit is available. The encodings are:</p> <ul style="list-style-type: none"> • 00: No credits available • 01: 1 credit available • 10: 2 credits available • 11: 3 or more credits available <p>Because of pipeline delays, the value on this output does not include the credit consumed by the Non-Posted requests sent by the client in the last two clock cycles. The client logic must adjust the value on this output by the credit consumed by the Non-Posted requests it sent in the previous two clock cycles, if any.</p>	2
pcie_tfc_npd_av	Output	<p>Transmit flow control Non-Posted data credits available. This output indicates the currently available payload credit for Non-Posted TLPs on the transmit side of the core. Client logic can check this output before transmitting a Non-Posted request on the requester request interface, to avoid blocking the interface when no credit is available. The encodings are:</p> <ul style="list-style-type: none"> • 00: No credits available • 01: 1 credit available • 10: 2 credits available • 11: 3 or more credits available <p>Because of pipeline delays, the value on this output does not include the credit consumed by the Non-Posted requests sent by the client in the last two clock cycles. The client logic must adjust the value on this output by the credit consumed by the Non-Posted requests it sent in the previous two clock cycles, if any.</p>	2

Configuration Management Interface

Table 2-12 defines the ports in the Configuration Management interface of the core.

Table 2-12: Configuration Management Interface Port Descriptions

Port	Direction	Description	Width
cfg_mgmt_addr	Input	Read/Write Address. Address is in the Configuration and Management register space, and is Dword aligned. For accesses from the local management bus: for the address bits <code>cfg_mgmt_addr[17:10]</code> , select the PCI Function associated with the configuration register; and for the bits <code>cfg_mgmt_addr[9:0]</code> , select the register within the Function. The address bit <code>cfg_mgmt_addr[18]</code> must be set to zero (0) when accessing the PCI or PCI Express configuration registers, and to one (1) when accessing the local management registers.	19
cfg_mgmt_write	Input	Write Enable. Asserted for a write operation. Active-High.	1
cfg_mgmt_write_data	Input	Write data. Write data is used to configure the Configuration and Management registers.	32
cfg_mgmt_byte_enable	Input	Byte Enable. Byte enable for write data, where <code>cfg_mgmt_byte_enable[0]</code> corresponds to <code>cfg_mgmt_write_data[7:0]</code> , and so on.	4
cfg_mgmt_read	Input	Read Enable. Asserted for a read operation. Active-High.	1
cfg_mgmt_read_data	Output	Read data out. Read data provides the configuration of the Configuration and Management registers.	32
cfg_mgmt_read_write_done	Output	Read/Write operation complete. Asserted for 1 cycle when operation is complete. Active-High.	1
cfg_mgmt_type1_cfg_reg_access	Input	Type 1 RO, Write. When the core is configured in the Root Port mode, asserting this input during a write to a Type-1 PCI™ Config Register forces a write into certain read-only fields of the register (see description of RC-mode Config registers). This input has no effect when the core is in the Endpoint mode, or when writing to any register other than a Type-1 Config Register.	1

Configuration Status Interface

Table 2-13 defines the ports in the Configuration Status interface of the core.

Table 2-13: Configuration Status Interface Port Descriptions

Port	Direction	Description	Width
cfg_phy_link_down	Output	<p>Configuration Link Down. Status of the PCI Express link based on Physical Layer LTSSM.</p> <ul style="list-style-type: none"> • 1b: Link is Down (LinkUp state variable is 0b) • 0b: Link is Up (LinkUp state variable is 1b) <p>Note: Per the <i>PCI Express Base Specification, rev. 3.0 [Ref 2]</i>, LinkUp is 1b in the Recovery, L0, L0s, L1, and L2 cfg_ltssm states. In the Configuration state, LinkUp can be 0b or 1b. It is always 0b when the Configuration state is reached using Detect > Polling > Configuration. LinkUp is 1b if the configuration state is reached via any other state transition.</p> <p>Note: While reset is asserted, the output of this signal will be 0b until reset is released.</p>	1
cfg_phy_link_status	Output	<p>Configuration Link Status. Status of the PCI Express link.</p> <ul style="list-style-type: none"> • 00b: No receivers detected • 01b: Link training in progress • 10b: Link up, DL initialization in progress • 11b: Link up, DL initialization completed 	2
cfg_negotiated_width	Output	<p>Configuration Link Status. Negotiated Link Width: PCI Express Link Status Register, Negotiated Link Width field. This field indicates the negotiated width of the given PCI Express Link and is valid when <code>cfg_phy_link_status[1:0] == 11b</code> (DL Initialization is complete).</p>	4
cfg_current_speed	Output	<p>Current Link Speed. This signal outputs the current link speed from Link Status register bits 1 down to 0. This field indicates the negotiated Link speed of the given PCI Express Link.</p> <ul style="list-style-type: none"> • 001b: 2.5 GT/s PCI Express Link • 010b: 5.0 GT/s PCI Express Link • 100b: 8.0 GT/s PCI Express Link 	3
cfg_max_payload	Output	<p>Max_Payload_Size. This signal outputs the maximum payload size from Device Control Register bits 7 down to 5. This field sets the maximum TLP payload size. As a Receiver, the logic must handle TLPs as large as the set value. As a Transmitter, the logic must not generate TLPs exceeding the set value.</p> <ul style="list-style-type: none"> • 000b: 128 bytes maximum payload size • 001b: 256 bytes maximum payload size • 010b: 512 bytes maximum payload size • 011b: 1024 bytes maximum payload size • 100b: 2048 bytes maximum payload size • 101b: 4096 bytes maximum payload size 	3

Table 2-13: Configuration Status Interface Port Descriptions (Cont'd)

Port	Direction	Description	Width
cfg_max_read_req	Output	<p>Max_Read_Request_Size. This signal outputs the maximum read request size from Device Control register bits 14 down to 12. This field sets the maximum Read Request size for the logic as a Requester. The logic must not generate Read Requests with size exceeding the set value.</p> <ul style="list-style-type: none"> • 000b: 128 bytes maximum Read Request size • 001b: 256 bytes maximum Read Request size • 010b: 512 bytes maximum Read Request size • 011b: 1024 bytes maximum Read Request size • 100b: 2048 bytes maximum Read Request size • 101b: 4096 bytes maximum Read Request size 	3
cfg_function_status	Output	<p>Configuration Function Status. These outputs indicate the states of the Command Register bits in the PCI configuration space of each Function. These outputs are used to enable requests and completions from the host logic. The assignment of bits is as follows:</p> <ul style="list-style-type: none"> • Bit 0: Function 0 I/O Space Enable • Bit 1: Function 0 Memory Space Enable • Bit 2: Function 0 Bus Master Enable • Bit 3: Function 0 INTx Disable • Bit 4: Function 1 I/O Space Enable • Bit 5: Function 1 Memory Space Enable • Bit 6: Function 1 Bus Master Enable • Bit 7: Function 1 INTx Disable 	8
cfg_vf_status	Output	<p>Configuration Virtual Function Status. These outputs indicate the status of Virtual Functions, two bits each per Virtual Function.</p> <ul style="list-style-type: none"> • Bit 0: Virtual Function 0: Configured/Enabled by software • Bit 1: Virtual Function 0: PCI Command Register, Bus Master Enable, and so on. 	12
cfg_function_power_state	Output	<p>Configuration Function Power State. These outputs indicate the current power state of the Physical Functions. Bits [2:0] capture the power state of Function 0, and bits [5:3] capture that of Function 1. The possible power states are:</p> <ul style="list-style-type: none"> • 000: D0_uninitialized • 001: D0_active • 010: D1 • 100: D3_hot 	6

Table 2-13: Configuration Status Interface Port Descriptions (Cont'd)

Port	Direction	Description	Width
cfg_vf_power_state	Output	Configuration Virtual Function Power State. These outputs indicate the current power state of the Virtual Functions. Bits [2:0] capture the power state of Virtual Function 0, and bits [5:3] capture that of Virtual Function 1, and so on. The possible power states are: <ul style="list-style-type: none"> • 000: D0_uninitialized • 001: D0_active • 010: D1 • 100: D3_hot 	18
cfg_link_power_state	Output	Current power state of the PCI Express link: <ul style="list-style-type: none"> • 00: L0 • 01: L0s • 10: L1 • 11: L2/Reserved 	2
cfg_err_cor_out	Output	Correctable Error Detected. In the Endpoint mode, the core activates this output for one cycle when it has detected a correctable error and its reporting is not masked. In a multi-Function Endpoint, this is the logical OR of the correctable error status bits in the Device Status Registers of all Functions. In the Root Port mode, this output is activated on detection of a local correctable error, when its reporting is not masked. This output does not respond to any errors signaled by remote devices using PCI Express error messages. These error messages are delivered through the message interface.	1
cfg_err_nonfatal_out	Output	Non-Fatal Error Detected. In the Endpoint mode, the core activates this output for one cycle when it has detected a non fatal error and its reporting is not masked. In a multi-Function Endpoint, this is the logical OR of the non fatal error status bits in the Device Status Registers of all Functions. In the Root Port mode, this output is activated on detection of a local non-fatal error, when its reporting is not masked. This output does not respond to any errors signaled by remote devices using PCI Express error messages. These error messages are delivered through the message interface.	1
cfg_err_fatal_out	Output	Fatal Error Detected. In the Endpoint mode, the core activates this output for one cycle when it has detected a fatal error and its reporting is not masked. In a multi-Function Endpoint, this is the logical OR of the fatal error status bits in the Device Status Registers of all Functions. In the Root Port mode, this output is activated on detection of a local fatal error, when its reporting is not masked. This output does not respond to any errors signaled by remote devices using PCI Express error messages. These error messages are delivered through the message interface.	1

Table 2-13: Configuration Status Interface Port Descriptions (Cont'd)

Port	Direction	Description	Width
cfg_ltr_enable	Output	Latency Tolerance Reporting Enable. The state of this output reflects the setting of the LTR Mechanism Enable bit in the Device Control 2 Register of Physical Function 0. When the core is configured as an Endpoint logic uses this output to enable the generation of LTR messages. This output is not to be used when the core is configured as a Root Port.	1

Table 2-13: Configuration Status Interface Port Descriptions (Cont'd)

Port	Direction	Description	Width
cfg_ltssm_state	Output	Current LTSSM State. Shows the current LTSSM state: Detect.Quiet 00 Detect.Active 01 Polling.Active 02 Polling.Compliance 03 Polling.Configuration 04 Configuration.Linkwidth.Start 05 Configuration.Linkwidth.Accept 06 Configuration.Lanenum.Accept 07 Configuration.Lanenum.Wait 08 Configuration.Complete 09 Configuration.Idle 0A Recovery.RcvrLock 0B Recovery.Speed 0C Recovery.RcvrCfg 0D Recovery.Idle 0E L0 10 Rx_L0s.Entry 11 Rx_L0s.Idle 12 Rx_L0s.FTS 13 Tx_L0s.Entry 14 Tx_L0s.Idle 15 Tx_L0s.FTS 16 L1.Entry 17 L1.Idle 18 L2.Idle 19 L2.TransmitWake 1A DISABLED = 6'h20; LOOPBACK_ENTRY_MASTER = 6'h21; LOOPBACK_ACTIVE_MASTER = 6'h22; LOOPBACK_EXIT_MASTER = 6'h23; LOOPBACK_ENTRY_SLAVE = 6'h24; LOOPBACK_ACTIVE_SLAVE = 6'h25; LOOPBACK_EXIT_SLAVE = 6'h26; HOT_RESET = 6'h27; RECOVERY_EQUALIZATION_PHASE0 = 6'h28; RECOVERY_EQUALIZATION_PHASE1 = 6'h29; RECOVERY_EQUALIZATION_PHASE2 = 6'h2A; RECOVERY_EQUALIZATION_PHASE3 = 6'h2B;	6

Table 2-13: Configuration Status Interface Port Descriptions (Cont'd)

Port	Direction	Description	Width
cfg_rcb_status	Output	RCB Status. Provides the setting of the Read Completion Boundary (RCB) bit in the Link Control Register of each Physical Function. In the Endpoint mode, bit 0 indicates the RCB for PF 0, and so on. In the RC mode, bit 0 indicates the RCB setting of the Link Control Register of the RP, bit 1 is reserved. For each bit, a value of 0 indicates an RCB of 64 bytes and a value of 1 indicates 128 bytes.	2
cfg_dpa_substate_change	Output	Dynamic Power Allocation Substate Change. In the Endpoint mode, the core generates a one-cycle pulse on one of these outputs when a Configuration Write transaction writes into the Dynamic Power Allocation Control Register to modify the DPA power state of the device. A pulse on bit 0 indicates such a DPA event for PF 0 and so on. These outputs are not active in the Root Port mode.	2
cfg_obff_enable	Output	Optimized Buffer Flush Fill Enable. This output reflects the setting of the OBFF Enable field in the Device Control 2 Register. <ul style="list-style-type: none"> • 00: OBFF disabled • 01: OBFF enabled using message signaling, Variation A • 10: OBFF enabled using message signaling, Variation B • 11: OBFF enabled using WAKE# signaling. 	2

Table 2-13: Configuration Status Interface Port Descriptions (Cont'd)

Port	Direction	Description	Width
cfg_pl_status_change	Output	<p>This output is used by the core in the Root Port mode to signal one of the following link training-related events:</p> <p>(a) The link bandwidth changed as a result of the change in the link width or operating speed and the change was initiated locally (not by the link partner), without the link going down. This interrupt is enabled by the Link Bandwidth Management Interrupt Enable bit in the Link Control Register. The status of this interrupt can be read from the Link Bandwidth Management Status bit of the Link Status Register; or</p> <p>(b) The link bandwidth changed autonomously as a result of the change in the link width or operating speed and the change was initiated by the remote node. This interrupt is enabled by the Link Autonomous Bandwidth Interrupt Enable bit in the Link Control Register. The status of this interrupt can be read from the Link Autonomous Bandwidth Status bit of the Link Status Register; or</p> <p>(c) The Link Equalization Request bit in the Link Status 2 Register was set by the hardware because it received a link equalization request from the remote node. This interrupt is enabled by the Link Equalization Interrupt Enable bit in the Link Control 3 Register. The status of this interrupt can be read from the Link Equalization Request bit of the Link Status 2 Register.</p> <p>The <code>pl_interrupt</code> output is not active when the core is configured as an Endpoint.</p>	1
cfg_tph_requester_enable	Output	Bit 0 of this output reflect the setting of the TPH Requester Enable bit [8] of the TPH Requester Control Register in the TPH Requester Capability Structure of Physical Function 0. Bit 1 corresponds to Physical Function 1.	2
cfg_tph_st_mode	Output	Bits [2:0] of this output reflect the setting of the ST Mode Select bits in the TPH Requester Control Register of Physical Function 0. Bits [5:3] reflect the setting of the same register field of PF 1.	6
cfg_vf_tph_requester_enable	Output	Each of the six bits of this output reflects the setting of the TPH Requester Enable bit 8 of the TPH Requester Control Register in the TPH Requester Capability Structure of the corresponding Virtual Function.	6
cfg_vf_tph_st_mode	Output	Bits [2:0] of this output reflect the setting of the ST Mode Select bits in the TPH Requester Control Register of Virtual Function 0. Bits [5:3] reflect the setting of the same register field of VF 1, and so on.	18

Configuration Received Message Interface

Table 2-14 defines the ports in the Configuration Received Message interface of the core.

Table 2-14: Configuration Received Message Interface Port Descriptions

Port	Direction	Description	Width
cfg_msg_received	Output	Configuration Received a Decodable Message. The core asserts this output for one or more consecutive clock cycles when it has received a decodable message from the link. The duration of its assertion is determined by the type of message. The core transfers any parameters associated with the message on the <code>cfg_msg_data[7:0]</code> output in one or more cycles when <code>cfg_msg_received</code> is High. Table 3-8, page 116 lists the number of cycles of <code>cfg_msg_received</code> assertion, and the parameters transferred on <code>cfg_msg_data[7:0]</code> in each cycle, for each type of message. The core inserts at least a one-cycle gap between two consecutive messages delivered on this interface. This output is active only when the <code>AXISTEN_IF_ENABLE_RX_MSG_INTFC</code> attribute is set.	1
cfg_msg_received_data	Output	This bus is used to transfer any parameters associated with the Received Message. The information it carries in each cycle for various message types is listed in Table 3-8, page 116 .	8
cfg_msg_received_type	Output	Received message type. When <code>cfg_msg_received</code> is High, these five bits indicate the type of message being signaled by the core. The various message types are listed in Table 3-7, page 115 .	5

Configuration Transmit Message Interface

[Table 2-15](#) defines the ports in the Configuration Transmit Message interface of the core.

Table 2-15: Configuration Transmit Message Interface Port Descriptions

Port	Direction	Description	Width
cfg_msg_transmit	Input	Configuration Transmit Encoded Message. This signal is asserted together with <code>cfg_msg_transmit_type</code> , which supplies the encoded message type and <code>cfg_msg_transmit_data</code> , which supplies optional data associated with the message, until <code>cfg_msg_transmit_done</code> is asserted in response.	1
cfg_msg_transmit_type	Input	Configuration Transmit Encoded Message Type. Indicates the type of PCI Express message to be transmitted. Encodings supported are: <ul style="list-style-type: none"> • 000b: Latency Tolerance Reporting (LTR) • 001b: Optimized Buffer Flush/Fill (OBFF) • 010b: Set Slot Power Limit (SSPL) • 011b: Power Management (PM PME) • 100b -111b: Reserved 	3

Table 2-15: Configuration Transmit Message Interface Port Descriptions (Cont'd)

Port	Direction	Description	Width
cfg_msg_transmit_data	Input	<p>Configuration Transmit Encoded Message Data. Indicates message data associated with particular message type.</p> <ul style="list-style-type: none"> 000b: LTR - $cfg_msg_transmit_data[31] \leq$ Snoop Latency Req., $cfg_msg_transmit_data[28:26] \leq$ Snoop Latency Scale, $cfg_msg_transmit_data[25:16] \leq$ Snoop Latency Value, $cfg_msg_transmit_data[15] \leq$ No-Snoop Latency Requirement, $cfg_msg_transmit_data[12:10] \leq$ No-Snoop Latency Scale, $cfg_msg_transmit_data[9:0] \leq$ No-Snoop Latency Value. 001b: OBFF - $cfg_msg_transmit_data[3:0] \leq$ OBFF Code. 010b: SSPL - $cfg_msg_transmit_data[9:0] \leq$ {Slot Power Limit Scale, Slot Power Limit Value}. 011b: PM_PME - $cfg_msg_transmit_data[1:0] \leq$ PF1, PF0; $cfg_msg_transmit_data[9:4] \leq$ VF5, VF4, VF3, VF2, VF1, VF0, where one or more PFs or VFs can signal PM_PME simultaneously. 100b - 111b: Reserved 	32
cfg_msg_transmit_done	Output	Configuration Transmit Encoded Message Done. Asserted in response to <code>cfg_msg_transmit</code> assertion, for 1 cycle after the request is complete.	1

Configuration Flow Control Interface

Table 2-16 defines the ports in the Configuration Flow Control interface of the core.

Table 2-16: Configuration Flow Control Interface Port Descriptions

Port	Direction	Description	Width
cfg_fc_ph	Output	Posted Header Flow Control Credits. This output provides the number of Posted Header Flow Control Credits. This multiplexed output can be used to bring out various flow control parameters and variables related to Posted Header Credit maintained by the core. The flow control information to bring out on this core is selected by the <code>cfg_fc_sel[2:0]</code> input.	8
cfg_fc_pd	Output	Posted Data Flow Control Credits. This output provides the number of Posted Data Flow Control Credits. This multiplexed output can be used to bring out various flow control parameters and variables related to Posted Data Credit maintained by the core. The flow control information to bring out on this core is selected by the <code>cfg_fc_sel[2:0]</code> input.	12

Table 2-16: Configuration Flow Control Interface Port Descriptions (Cont'd)

Port	Direction	Description	Width
cfg_fc_nph	Output	Non-Posted Header Flow Control Credits. This output provides the number of Non-Posted Header Flow Control Credits. This multiplexed output can be used to bring out various flow control parameters and variables related to Non-Posted Header Credit maintained by the core. The flow control information to bring out on this core is selected by the <code>cfg_fc_sel[2:0]</code> input.	8
cfg_fc_npd	Output	Non-Posted Data Flow Control Credits. This output provides the number of Non-Posted Data Flow Control Credits. This multiplexed output can be used to bring out various flow control parameters and variables related to Non-Posted Data Credit maintained by the core. The flow control information to bring out on this core is selected by the <code>cfg_fc_sel[2:0]</code> input.	12
cfg_fc_cplh	Output	Completion Header Flow Control Credits. This output provides the number of Completion Header Flow Control Credits. This multiplexed output can be used to bring out various flow control parameters and variables related to Completion Header Credit maintained by the core. The flow control information to bring out on this core is selected by the <code>cfg_fc_sel[2:0]</code> input.	8
cfg_fc_cpld	Output	Completion Data Flow Control Credits. This output provides the number of Completion Data Flow Control Credits. This multiplexed output can be used to bring out various flow control parameters and variables related to Completion Data Credit maintained by the core. The flow control information to bring out on this core is selected by the <code>cfg_fc_sel[2:0]</code> .	12

Table 2-16: Configuration Flow Control Interface Port Descriptions (Cont'd)

Port	Direction	Description	Width
cfg_fc_sel	Input	<p>Flow Control Informational Select. These inputs select the type of flow control to bring out on the <code>cfg_fc_*</code> outputs of the core. The various flow control parameters and variables that can be accessed for the different settings of these inputs are:</p> <ul style="list-style-type: none"> • 000: Receive credits currently available to the link partner • 001: Receive credit limit • 010: Receive credits consumed • 011: Available space in receive buffer • 100: Transmit credits available • 101: Transmit credit limit • 110: Transmit credits consumed • 111: Reserved <p>This value represents the actual unused credits in the receiver FIFO, and the recommendation is to use it only as an approximate indication of receiver FIFO fullness, relative to the initial credit limit value advertized, e.g ¼ full, ½ full, ¾ full, full.</p> <p>Note: Infinite credit for transmit credits available (<code>cfg_fc_sel == 3'b100</code>) is signaled as <code>8'h80</code>, <code>12'h800</code> for header and data credits, respectively. For all other <code>cfg_fc_sel</code> selections, infinite credit is signaled as <code>8'h00</code>, <code>12'h000</code>, respectively, for header and data categories.</p>	3

Per Function Status Interface

Table 2-17 and Table 2-18 define the ports in the Function Status interface of the core.

Table 2-17: Overview of Function Status Interface Port Descriptions

Port	Direction	Description	Width
cfg_per_func_status_control	Input	Configuration Per Function Control. Controls information presented on the multi-function output <code>cfg_per_func_status_data</code> . Supported encodings are 000b, 001b, 010b, 011b, 100b, and 101b. All other encodings are reserved.	3
cfg_per_func_status_data	Output	Configuration Per Function Status Data. Provides a 16-bit status output for the selected function. Information presented depends on the values of <code>cfg_per_func_status_data</code> and <code>cfg_per_function_number</code> .	16

Table 2-18: Detailed Function Status Interface Port Descriptions

cfg_per_func_status_control [bit]	cfg_per_func_status_data [bit/slice]	Status Output	Width	Description
0	0	cfg_command_io_enable	1	Configuration Command - I/O Space Enable: Command[0]. Endpoints: If 1, allows the device to receive I/O Space accesses. Otherwise, the core filters these and respond with an Unsupported Request. Root/Switch: Core takes no action based on this setting. If 0, logic must not generate TLPs downstream.
0	1	cfg_command_mem_enable	1	Configuration Command - Memory Space Enable: Command[1]. Endpoints: If 1, allows the device to receive Memory Space accesses. Otherwise, the core filters these and respond with an Unsupported Request. Root/Switch: Core takes no action based on this setting. If 0, logic must not generate TLPs downstream.
0	2	cfg_command_bus_master_enable	1	Configuration Command - Bus Master Enable: Command[2]. The core takes no action based on this setting; logic must do that. Endpoints: When asserted, the logic is allowed to issue Memory or I/O Requests (including MSI/X interrupts); otherwise it must not. Root and Switch Ports: When asserted, received Memory or I/O Requests might be forwarded upstream; otherwise they are handled as Unsupported Requests (UR), and for Non-Posted Requests a Completion with UR completion status is returned.
0	3	cfg_command_interrupt_disable	1	Configuration Command - Interrupt Disable: Command[10]. When asserted, the core is prevented from asserting INTx interrupts.
0	4	cfg_command_serr_en	1	Configuration Command - SERR Enable: Command[8]. When asserted, this bit enables reporting of Non-fatal and Fatal errors. Note that errors are reported if enabled either through this bit or through the PCI Express specific bits in the Device Control register. In addition, for a Root Complex or Switch, this bit controls transmission by the primary interface of ERR_NONFATAL and ERR_FATAL error messages forwarded from the secondary interface.

Table 2-18: Detailed Function Status Interface Port Descriptions

cfg_per_func_status_control [bit]	cfg_per_func_status_data [bit/slice]	Status Output	Width	Description
0	5	cfg_bridge_ser_r_en	1	Configuration Bridge Control - SERR Enable: Bridge Ctrl[1]. When asserted, this bit enables the forwarding of Correctable, Non-fatal and Fatal errors (you must enforce that).
0	6	cfg_aer_ecrc_heck_en	1	Configuration AER - ECRC Check Enable: AER_Cap_and_Ctl[8]. When asserted, this bit indicates that ECRC checking has been enabled by the host.
0	7	cfg_aer_ecrc_gen_en	1	Configuration AER - ECRC Generation Enable: AER_Cap_and_Ctl[6]. When asserted, this bit indicates that ECRC generation has been enabled by the host.
0	15:08	0	8	Reserved
1	0	cfg_dev_status_corr_err_detected	1	Configuration Device Status - Correctable Error Detected: Device_Status[0]. Indicates status of correctable errors detected. Errors are logged in this register regardless of whether error reporting is enabled or not in the Device Control register.
1	1	cfg_dev_status_non_fatal_err_detected	1	Configuration Device Status - Non-Fatal Error Detected: Device_Status[1]. Indicates status of Nonfatal errors detected. Errors are logged in this register regardless of whether error reporting is enabled or not in the Device Control register.
1	2	cfg_dev_status_fatal_err_detected	1	Configuration Device Status - Fatal Error Detected: Device_Status[2]. Indicates status of Fatal errors detected. Errors are logged in this register regardless of whether error reporting is enabled or not in the Device Control register.
1	3	cfg_dev_status_ur_detected	1	Configuration Device Status - Unsupported Request Detected: Device_Status[3]. Indicates that the core received an Unsupported Request. Errors are logged in this register regardless of whether error reporting is enabled or not in the Device Control register.
1	4	cfg_dev_control_corr_err_reporting_en	1	Configuration Device Control - Correctable Error Reporting Enable: Device_Ctrl[0]. This bit, in conjunction with other bits, controls sending ERR_COR Messages. For a Root Port, the reporting of correctable errors is internal to the root; no external ERR_COR Message is generated.

Table 2-18: Detailed Function Status Interface Port Descriptions

cfg_per_func_status_control [bit]	cfg_per_func_status_data [bit/slice]	Status Output	Width	Description
1	5	cfg_dev_control_non_fatal_reporting_en	1	Configuration Device Control - Non-Fatal Error Reporting Enable: Device_Ctrl[1]. This bit, in conjunction with other bits, controls sending ERR_NONFATAL Messages. For a Root Port, the reporting of correctable errors is internal to the root; no external ERR_NONFATAL Message is generated.
1	6	cfg_dev_control_fatal_err_reporting_en	1	Configuration Device Control - Fatal Error Reporting Enable: Device_Ctrl[2]. This bit, in conjunction with other bits, controls sending ERR_FATAL Messages. For a Root Port, the reporting of correctable errors is internal to the root; no external ERR_FATAL Message is generated.
1	7	cfg_dev_control_ur_err_reporting_en	1	Configuration Device Control - UR Reporting Enable: Device_Ctrl[3]. This bit, in conjunction with other bits, controls the signaling of Unsupported Requests by sending Error Messages.
1	10:08	cfg_dev_control_max_payload	3	Configuration Device Control - Max_Payload_Size: Device_Ctrl[7:5]. This field sets maximum TLP payload size. As a Receiver, the logic must handle TLPs as large as the set value. As a Transmitter, the logic must not generate TLPs exceeding the set value. 000b = 128 bytes max payload size 001b = 256 bytes max payload size 010b = 512 bytes max payload size 011b = 1024 bytes max payload size 100b = 2048 bytes max payload size 101b = 4096 bytes max payload size
1	11	cfg_dev_control_enable_ro	1	Configuration Device Control - Enable Relaxed Ordering: Device_Ctrl[4]. When asserted, the logic is permitted to set the Relaxed Ordering bit in the Attributes field of transactions it initiates that do not require strong write ordering.
1	12	cfg_dev_control_ext_tag_en	1	Configuration Device Control - Tag Field Enable: Device_Ctrl[8]. When asserted, enables the logic to use an 8-bit Tag field as a Requester. If deasserted, the logic is restricted to a 5-bit Tag field. Note that the core does not enforce the number of Tag bits used, either in outgoing request TLPs or incoming Completions.

Table 2-18: Detailed Function Status Interface Port Descriptions

cfg_per_func_status_control [bit]	cfg_per_func_status_data [bit/slice]	Status Output	Width	Description
1	13	cfg_dev_control_no_snoop_en	1	Configuration Device Control - Enable No Snoop: Device_Ctrl[11]. When asserted, the logic is permitted to set the No Snoop bit in TLPs it initiates that do not require hardware enforced cache coherency.
1	15:14	0	2	Reserved
2	2:00	cfg_dev_control_max_read_req	3	Configuration Device Control - Max_Read_Request_Size: Device_Ctrl[14:12]. This field sets the maximum Read Request size for the logic as a Requester. The logic must not generate Read Requests with size exceeding the set value. 000b = 128 bytes maximum Read Request size 001b = 256 bytes maximum Read Request size 010b = 512 bytes maximum Read Request size 011b = 1024 bytes maximum Read Request size 100b = 2048 bytes maximum Read Request size 101b = 4096 bytes maximum Read Request size
2	3	cfg_link_status_link_training	1	Configuration Link Status - Link Training: Link_Status[11]. Indicates that the Physical Layer LTSSM is in the Configuration or Recovery state, or that 1b was written to the Retrain Link bit but Link training has not yet begun. The core clears this bit when the LTSSM exits the Configuration/Recovery state.
2	6:04	cfg_link_status_current_speed	3	Configuration Link Status - Current Link Speed: Link_Status[1:0]. This field indicates the negotiated Link speed of the given PCI Express Link. 001b = 2.5 GT/s PCI Express Link 010b = 5.0 GT/s PCI Express Link 100b = 8.0 GT/s PCI Express Link
2	10:07	cfg_link_status_negotiated_width	4	Configuration Link Status - Negotiated Link Width: Link_Status[7:4]. This field indicates the negotiated width of the given PCI Express Link (only widths up to x8 displayed). 0001b = x1 0010b = x2 0100b = x4 1000b = x8

Table 2-18: Detailed Function Status Interface Port Descriptions

cfg_per_func_status_control [bit]	cfg_per_func_status_data [bit/slice]	Status Output	Width	Description
2	11	cfg_link_status_bandwidth_status	1	Configuration Link Status - Link Bandwidth Management Status: Link_Status[14]. Indicates that either of the following has occurred without the Port transitioning through DL_Down status: <ul style="list-style-type: none"> A Link retraining has completed following a write of 1b to the Retrain Link bit. <p>Note: This bit is set following any write of 1b to the Retrain Link bit, including when the Link is in the process of retraining for some other reason.</p> <ul style="list-style-type: none"> Hardware has changed Link speed or width to attempt to correct unreliable Link operation, either through an LTSSM timeout or a higher level process. This bit is set if the Physical Layer reports a speed or width change was initiated by the Downstream component that was not indicated as an autonomous change.
2	12	cfg_link_status_auto_bandwidth_status	1	Configuration Link Status - Link Autonomous Bandwidth Status: Link_Status[15]. Indicates the core has autonomously changed Link speed or width, without the Port transitioning through DL_Down status, for reasons other than to attempt to correct unreliable Link operation. This bit must be set if the Physical Layer reports a speed or width change was initiated by the Downstream component that was indicated as an autonomous change.
2	15:13	0	3	Reserved
3	1:00	cfg_link_control_aspm_control	2	Configuration Link Control - ASPM Control: Link_Ctrl[1:0]. Indicates the level of ASPM supported, where: <ul style="list-style-type: none"> 00b = Disabled 01b = L0s Entry Enabled 10b = L1 Entry Enabled 11b = L0s and L1 Entry Enabled
3	2	cfg_link_control_rcb	1	Configuration Link Control - RCB: Link_Ctrl[3]. Indicates the Read Completion Boundary value, where 0=64B, and 1=128B.
3	3	cfg_link_control_link_disable	1	Configuration Link Control - Link Disable: Link_Ctrl[4]. When asserted, indicates the Link is disabled and directs the LTSSM to the Disabled state.

Table 2-18: Detailed Function Status Interface Port Descriptions

cfg_per_func_status_control [bit]	cfg_per_func_status_data [bit/slice]	Status Output	Width	Description
3	4	cfg_link_control_common_clock	1	Configuration Link Control - Common Clock Configuration: Link_Ctrl[6]. When asserted, indicates that this component and the component at the opposite end of this Link are operating with a distributed common reference clock. When deasserted, indicates they are operating with an asynchronous reference clock.
3	5	cfg_link_control_extended_sync	1	Configuration Link Control - Extended Synch: Link_Ctrl[7]. When asserted, forces the transmission of additional Ordered Sets when exiting the L0s state and when in the Recovery state.
3	6	cfg_link_control_clock_pm_enable	1	Configuration Link Control - Enable Clock Power Management: Link_Ctrl[8]. For Upstream Ports that support a CLKREQ# mechanism, indicates: 0b = Clock power management disabled. 1b = The device is permitted to use CLKREQ#. The core takes no action based on the setting of this bit; external logic must implement this.
3	7	cfg_link_control_hw_auto_width_disable	1	Configuration Link Control - Hardware Autonomous Width Disable: Link_Ctrl[9]. When asserted, disables the core from changing the Link width for reasons other than attempting to correct unreliable Link operation by reducing Link width.
3	8	cfg_link_control_bandwidth_interrupt_enable	1	Configuration Link Control - Link Bandwidth Management Interrupt Enable: Link_Ctrl[10]. When asserted, enables the generation of an interrupt to indicate that the Link Bandwidth Management Status bit has been set. The core takes no action based on the setting of this bit; the logic must create the interrupt.
3	9	cfg_link_control_auto_bandwidth_interrupt_enable	1	Configuration Link Control - Link Autonomous Bandwidth Interrupt Enable: Link_Ctrl[11]. When asserted, this bit enables the generation of an interrupt to indicate that the Link Autonomous Bandwidth Status bit has been set. The core takes no action based on the setting of this bit; the logic must create the interrupt.
3	10	cfg_tph_requester_enable	1	TPH Requester Enable: bit [8] of the TPH Requester Control Register in the TPH Requester Capability Structure of the function. These bits are active only in the Endpoint mode. Indicates whether the software has enabled the device to generate requests with TPH Hints from the associated Function.

Table 2-18: Detailed Function Status Interface Port Descriptions

cfg_per_func_status_control [bit]	cfg_per_func_status_data [bit/slice]	Status Output	Width	Description
3	13:11	cfg_tph_steering_tag_mode	3	TPH Steering Tag Mode: Reflect the setting of the ST Mode Select bits in the TPH Requester Control Register. These bits are active only in the Endpoint mode. They indicate the allowed modes for generation of TPH Hints by the corresponding Function.
3	15:14	0	2	Reserved
4	3:00	cfg_dev_control2_cpl_timeout_val	4	Configuration Device Control 2 - Completion Timeout Value: Device_Ctrl2[3:0]. This is the time range that the logic regard as a Request is pending Completion as a Completion Timeout. The core takes no action based on this setting. 0000b = 50 μ s to 50 ms (default) 0001b = 50 μ s to 100 μ s 0010b = 1 ms to 10 ms 0101b = 16 ms to 55 ms 0110b = 65 ms to 210 ms 1001b = 260 ms to 900 ms 1010b = 1 s to 3.5 s 1101b = 4 s to 13 s 1110b = 17 s to 64 s
4	4	cfg_dev_control2_cpl_timeout_dis	1	Configuration Device Control 2 - Completion Timeout Disable: Device_Ctrl2[4]. This should cause the user to disable their Completion Timeout counters.
4	5	cfg_dev_control2_atomic_requester_en	1	Configuration Device Control 2 - Atomic Requester Enable: Device_Ctrl2[6]. Applicable only to Endpoints and Root Ports; must be hardwired to 0b for other Function types. The Function is allowed to initiate AtomicOp Requests only if this bit and the Bus Master Enable bit in the Command register are both Set. This bit is required to be RW if the Endpoint or Root Port is capable of initiating AtomicOp Requests, but otherwise is permitted to be hardwired to 0b. This bit does not serve as a capability bit. This bit is permitted to be RW even if no AtomicOp Requester capabilities are supported by the Endpoint or Root Port. Default value of this bit is 0b. 32 nm

Table 2-18: Detailed Function Status Interface Port Descriptions

cfg_per_func_status_control [bit]	cfg_per_func_status_data [bit/slice]	Status Output	Width	Description
4	6	cfg_dev_control2_ido_req_en	1	Configuration Device Control 2 - IDO Request Enable: Device_Ctrl2[8]. If this bit is Set, the Function is permitted to set the ID-Based Ordering (IDO) bit (Attribute[2]) of Requests it initiates (see Section 2.2.6.3 and Section 2.4). Endpoints, including RC Integrated Endpoints, and Root Ports are permitted to implement this capability. A Function is permitted to hardwire this bit to 0b if it never sets the IDO attribute in Requests. Default value of this bit is 0b. 32 nm
4	7	cfg_dev_control2_ido_cpl_en	1	Configuration Device Control 2 - IDO Completion Enable: Device_Ctrl2[9]. If this bit is Set, the Function is permitted to set the ID-Based Ordering (IDO) bit (Attribute[2]) of Completions it returns (see Section 2.2.6.3 and Section 2.4). Endpoints, including RC Integrated Endpoints, and Root Ports are permitted to implement this capability. A Function is permitted to hardwire this bit to 0b if it never sets the IDO attribute in Requests. Default value of this bit is 0b. 32 nm
4	8	cfg_dev_control2_ltr_en	1	Configuration Device Control 2 - LTR Mechanism Enable: Device_Ctrl2[10]. If this bit is Set, the Function is permitted to set the ID-Based Ordering (IDO) bit (Attribute[2]) of Completions it returns (see Section 2.2.6.3 and Section 2.4). Endpoints, including RC Integrated Endpoints, and Root Ports are permitted to implement this capability. A Function is permitted to hardwire this bit to 0b if it never sets the IDO attribute in Requests. Default value of this bit is 0b. 32 nm
4	13:09	cfg_dpa_substate	5	Dynamic Power Allocation Substate: Reflect the setting of the Dynamic Power Allocation Substate field in the DPA Control Register.
4	15:14	0	1	Reserved
5	0	cfg_root_control_syserr_correctable_err_en	1	Configuration Root Control - System Error on Correctable Error Enable: Root_Control[0]. This bit enables the logic to generate a System Error for reported Correctable Errors.
5	1	cfg_root_control_syserr_non_fatal_err_en	1	Configuration Root Control - System Error on Non-Fatal Error Enable: Root_Control[1]. This bit enables the logic to generate a System Error for reported Non-Fatal Errors.
5	2	cfg_root_control_syserr_fatal_err_en	1	Configuration Root Control - System Error on Fatal Error Enable: Root_Control[2]. This bit enables the logic to generate a System Error for reported Fatal Errors.

Table 2-18: Detailed Function Status Interface Port Descriptions

cfg_per_func_status_control [bit]	cfg_per_func_status_data [bit/slice]	Status Output	Width	Description
5	3	cfg_root_control_pme_int_en	1	Configuration Root Control - PME Interrupt Enable: Root_Control[3]. This bit enables the logic to generate an Interrupt for received PME Messages.
5	4	cfg_aer_root_err_reporting_en	1	Configuration AER - Correctable Error Reporting Enable: AER_Root_Error_Command[0]. This bit enables the logic to generate interrupts for reported Correctable Errors.
5	5	cfg_aer_root_err_reporting_en	1	Configuration AER - Non Fatal Error Reporting Enable: AER_Root_Error_Command[1]. This bit enables the user logic to generate interrupts for reported Non-Fatal Errors.
5	6	cfg_aer_root_err_reporting_en	1	Configuration AER - Fatal Error Reporting Enable: AER_Root_Error_Command[2]. This bit enables the user logic to generate interrupts for reported Fatal Errors.
5	7	cfg_aer_root_err_received	1	Configuration AER - Correctable Error Messages Received: AER_Root_Error_Status[0]. Indicates that an ERR_COR Message was received.
5	8	cfg_aer_root_err_received	1	Configuration AER - Non-Fatal Error Messages Received: AER_Root_Error_Status[5]. Indicates that an ERR_NFE Message was received.
5	9	cfg_aer_root_err_received	1	Configuration AER - Fatal Error Messages Received: AER_Root_Error_Status[6]. Indicates that an ERR_FATAL Message was received.
5	15:10	0	6	Reserved

Configuration Control Interface

Table 2-19 defines the ports in the Configuration Control interface of the core.

Table 2-19: Configuration Control Interface Port Descriptions

Port	Direction	Description	Width
cfg_hot_reset_in	Input	Configuration Hot Reset In. In RP mode, assertion transitions LTSSM to hot reset state, active High.	1
cfg_hot_reset_out	Output	Configuration Hot Reset Out. In EP mode, assertion indicates that EP has transitioned to the hot reset state, active High.	1

Table 2-19: Configuration Control Interface Port Descriptions (Cont'd)

Port	Direction	Description	Width
cfg_config_space_enable	Input	Configuration Configuration Space Enable. When this input is set to 0 in the Endpoint mode, the core generates a CRS Completion in response to Configuration Requests. This port should be held deasserted when the core configuration registers are loaded from the DRP due to a change in attributes. This prevents the core from responding to Configuration Requests before all the registers are loaded. This input can be High when the power-on default values of the Configuration Registers do not need to be modified before Configuration space enumeration. This input is not applicable for Root Port mode.	1
cfg_per_function_update_done	Output	Configuration per Function Update Complete. Asserted in response to <code>cfg_per_function_output_request</code> assertion, for one cycle after the request is complete.	1
cfg_per_function_number	Input	Configuration Per Function Target Function Number. The user provides the function number (0-7), where value 0-1 corresponds to PF0-1, and value 2-7 corresponds to VF0-5, and asserts <code>cfg_per_function_output_request</code> to obtain per function output values for the selected function.	3
cfg_per_function_output_request	Input	Configuration Per Function Output Request. When this port is asserted with a function number value on <code>cfg_per_function_number</code> , the core presents information on per-function configuration output pins and asserts <code>cfg_update_done</code> when complete.	1
cfg_dsn	Input	Configuration Device Serial Number. Indicates the value that should be transferred to the Device Serial Number Capability on PF0. Bits [31:0] are transferred to the first (Lower) Dword (byte offset 0x4h of the Capability), and bits [63:32] are transferred to the second (Upper) Dword (byte offset 0x8h of the Capability). If this value is not statically assigned, the user must pulse <code>user_cfg_input_update</code> after it is stable.	64
cfg_ds_bus_number	Input	Configuration Downstream Bus Number. <ul style="list-style-type: none"> • Downstream Port Provides the bus number portion of the Requester ID (RID) of the Downstream Port. This is used in TLPs generated inside the core, such as UR Completions and Power-management messages; it does not affect TLPs presented on the TRN interface. • Upstream Port No role. 	8

Table 2-19: Configuration Control Interface Port Descriptions (Cont'd)

Port	Direction	Description	Width
cfg_ds_device_number	Input	<p>Configuration Downstream Device Number:</p> <ul style="list-style-type: none"> Downstream Port Provides the device number portion of the RID of the Downstream Port. This is used in TLPs generated inside the core, such as UR Completions and Power-management messages; it does not affect TLPs presented on the TRN interface. Upstream Port No role. 	5
cfg_ds_function_number	Input	<p>Configuration Downstream Function Number.</p> <ul style="list-style-type: none"> Downstream Port Provides the function number portion of the RID of the Downstream Port. This is used in TLPs generated inside the core, such as UR Completions and Power-management messages; it does not affect TLPs presented on the TRN interface. Upstream Port No role. 	3
cfg_power_state_change_ack	Input	<p>Configuration Power State Ack. The user must assert this input to the core for one cycle in response to the assertion of <code>cfg_power_state_change_interrupt</code>, when it is ready to transition to the low-power state requested by the configuration write request. The client can permanently hold this input High if it does not need to delay the return of the completions for the configuration write transactions, causing power-state changes.</p>	1
cfg_power_state_change_interrupt	Output	<p>Power State Change Interrupt. The core asserts this output when the power state of a Physical or Virtual Function is being changed to the D1 or D3 states by a write into its Power Management Control Register. The core holds this output High until the user asserts the <code>cfg_power_state_change_ack</code> input to the core. While <code>cfg_power_state_change_interrupt</code> remains High, the core does not return completions for any pending configuration read or write transaction received by the core. The purpose is to delay the completion for the configuration write transaction that caused the state change until the user is ready to transition to the low-power state. When <code>cfg_power_state_change_interrupt</code> is asserted, the Function number associated with the configuration write transaction is provided on the <code>cfg_snp_function_number[7:0]</code> output. When the client asserts <code>cfg_power_state_change_ack</code>, the new state of the Function that underwent the state change is reflected on <code>cfg_function_power_state</code> (for PFs) or the <code>cfg_vf_power_state</code> (for VFs) outputs of the core.</p>	1

Table 2-19: Configuration Control Interface Port Descriptions (Cont'd)

Port	Direction	Description	Width
cfg_err_cor_in	Input	Correctable Error Detected: The user can activate this input for one cycle to indicate a correctable error detected within the user logic that needs to be reported as an internal error through the PCI Express Advanced Error Reporting mechanism. In response, the core sets the Corrected Internal Error Status bit in the AER Correctable Error Status Register of all enabled Functions, and also sends an error message if enabled to do so. This error is not considered Function-specific.	1
cfg_err_uncor_in	Input	Uncorrectable Error Detected. The user can activate this input for one cycle to indicate a uncorrectable error detected within the user logic that needs to be reported as an internal error through the PCI Express Advanced Error Reporting mechanism. In response, the core sets the uncorrected Internal Error Status bit in the AER Uncorrectable Error Status Register of all enabled Functions, and also sends an error message if enabled to do so. This error is not considered Function-specific.	1
cfg_flr_done	Input	Function Level Reset Complete. The user must assert bit <i>i</i> of this bus when the reset operation of Function <i>i</i> completes. This causes the core to deassert <code>cfg_flr_in_process</code> for Function <i>i</i> and to re-enable configuration accesses to the Function.	2
cfg_vf_flr_done	Input	Function Level Reset for virtual Function is Complete. The user must assert bit <i>i</i> of this bus the reset operation of Virtual Function <i>i</i> completes. This causes the core to deassert <code>cfg_vf_flr_in_process</code> for Function <i>i</i> and to re-enable configuration accesses to the Virtual Function.	6
cfg_flr_in_process	Output	Function Level Reset In Process. The core asserts bit <i>i</i> of this bus when the host initiates a reset of Function <i>i</i> through its FLR bit in the configuration space. The core continues to hold the output High until the user sets the corresponding <code>cfg_flr_done</code> input for the corresponding Function to indicate the completion of the reset operation.	2
cfg_vf_flr_in_process	Output	Function Level Reset In Process for Virtual Function. The core asserts bit <i>i</i> of this bus when the host initiates a reset of Virtual Function <i>i</i> though its FLR bit in the configuration space. The core continues to hold the output High until the user sets the corresponding <code>cfg_vf_flr_done</code> input for the corresponding Function to indicate the completion of the reset operation.	6

Table 2-19: Configuration Control Interface Port Descriptions (Cont'd)

Port	Direction	Description	Width
cfg_req_pm_transition_l23_ready	Input	When the core is configured as an Endpoint, the user can assert this input to transition the power management state of the core to L23_READY (see Chapter 5 of the <i>PCI Express Specification</i> for a detailed description of power management). This is done after the PCI Functions in the core are placed in the D3 state and after the client acknowledges the PME_Turn_Off message from the Root Complex. Asserting this input causes the link to transition to the L3 state, and requires a hard reset to resume operation. This input can be hardwired to 0 if the link is not required to transition to L3. This input is not used in Root Complex mode.	1
cfg_link_training_enable	Input	This input must be set to 1 to enable the Link Training Status State Machine (LTSSM) to bring up the link. Setting it to 0 forces the LTSSM to stay in the Detect.Quiet state.	1

Configuration Interrupt Controller Interface

Table 2-20 defines the ports in the Configuration Interrupt Controller interface of the core.

Table 2-20: Configuration Interrupt Controller Interface Port Descriptions

Port	Direction	Description	Width
cfg_interrupt_int	Input	Configuration INTx Vector. When the core is configured as EP, these four inputs are used by the client application to signal an interrupt from any of its PCI Functions to the RC using the Legacy PCI Express Interrupt Delivery mechanism of PCI Express. These four inputs correspond to INTA, INTB, INTC, and INTD. Asserting one of these signals causes the core to send out an Assert_INTx message, and deasserting the signal causes the core to transmit a Deassert_INTx message.	4
cfg_interrupt_sent	Output	Configuration INTx Sent. A pulse on this output indicates that the core has sent an INTx Assert or Deassert message in response to a change in the state of one of the <code>cfg_interrupt_int</code> inputs.	1
cfg_interrupt_pending	Input	Configuration INTx Interrupt Pending (active-High). Per Function indication of a pending interrupt. <code>cfg_interrupt_pending[0]</code> corresponds to Function #0.	2
cfg_interrupt_msi_enable	Output	Configuration Interrupt MSI Function Enabled. Indicates that Message Signaling Interrupt (MSI) messaging is enabled per Function.	2
cfg_interrupt_msi_vf_enable	Output	Configuration Interrupt MSI on VF Enabled. Indicates that MSI messaging is enabled, per Virtual Function.	6

Table 2-20: Configuration Interrupt Controller Interface Port Descriptions (Cont'd)

Port	Direction	Description	Width
cfg_interrupt_msi_int	Input	Configuration Interrupt MSI Vector. When the core is configured in the Endpoint mode to support MSI interrupts, these inputs are used to signal the 32 distinct interrupt conditions associated with a PCI Function (Physical or Virtual) from the user logic to the core. The Function number must be specified on the <code>cfg_interrupt_msi_function_number</code> input. After placing the Function number on the input <code>cfg_interrupt_msi_function_number</code> , the user logic must activate one of these signals for one cycle to transmit an interrupt. The user logic must not activate more than one of the 32 interrupt inputs in the same cycle. The core internally registers the interrupt condition on the 0-to-1 transition of any bit in <code>cfg_interrupt_msi_int</code> . After asserting an interrupt, the user logic must wait for the <code>cfg_interrupt_msi_sent</code> or <code>cfg_interrupt_msi_fail</code> indication from the core before asserting a new interrupt.	32
cfg_interrupt_msi_sent	Output	Configuration Interrupt MSI Interrupt Sent. The core generates a one-cycle pulse on this output to signal that an MSI interrupt message has been transmitted on the link. The user logic must wait for this pulse before signaling another interrupt condition to the core.	1
cfg_interrupt_msi_fail	Output	Configuration Interrupt MSI Interrupt Operation Failed. A one-cycle pulse on this output indicates that an MSI interrupt message was aborted before transmission on the link. The client must retransmit the MSI interrupt in this case.	1
cfg_interrupt_msi_mmenable	Output	Configuration Interrupt MSI Function Multiple Message Enable. When the core is configured in the Endpoint mode to support MSI interrupts, these outputs are driven by the "Multiple Message Enable" bits of the MSI Control Registers associated with Physical Functions. These bits encode the number of allocated MSI interrupt vectors for the corresponding Function. Bits [2:0] correspond to Physical Function 0.	6
cfg_interrupt_msi_pending_status	Input	Configuration Interrupt MSI Pending Status. These inputs provide the status of the MSI pending interrupts for the Physical Functions. The setting of these pins determines the value read from the MSI Pending Bits Register of the corresponding PF. Bits [31:0] belong to PF 0, bits [63:32] to PF 1.	64
cfg_interrupt_msi_mask_update	Output	Configuration Interrupt MSI Function Mask Updated. Asserted for one cycle when any enabled functions in the MSI Mask Register change value.	1

Table 2-20: Configuration Interrupt Controller Interface Port Descriptions (Cont'd)

Port	Direction	Description	Width
cfg_interrupt_msi_select	Input	Configuration Interrupt MSI Select. Values 0000b-0001b correspond to PF0-1 selection, and values 0010b-0111b correspond to VF0-5 selection. <code>cfg_interrupt_msi_data[31:0]</code> presents the value of the MSI Mask register from the selected function. When this input is driven to 1111b, <code>cfg_interrupt_msi_data[17:0]</code> presents the "Multiple Message Enable" bits of the MSI Control Registers associated with all Virtual Functions. These bits encode the number of allocated MSI interrupt vectors for the corresponding Function. <code>cfg_interrupt_msi_data[2:0]</code> correspond to Virtual Function 0, and so on.	4
cfg_interrupt_msi_data	Output	Configuration Interrupt MSI Data. The value presented depends on <code>cfg_interrupt_msi_select</code> .	32
cfg_interrupt_msix_enable	Output	Configuration Interrupt MSI-X Function Enabled. When asserted, indicates that the Message Signaling Interrupt (MSI-X) messaging is enabled, per Function.	2
cfg_interrupt_msix_mask	Output	Configuration Interrupt MSI-X Function Mask. Indicates the state of the Function Mask bit in the MSI-X Message Control field, per Function.	2
cfg_interrupt_msix_vf_enable	Output	Configuration Interrupt MSI-X on VF Enabled. When asserted, indicates that Message Signaling Interrupt (MSI-X) messaging is enabled, per Virtual Function.	6
cfg_interrupt_msix_vf_mask	Output	Configuration Interrupt MSI-X VF Mask. Indicates the state of the Function Mask bit in the MSI-X Message Control field, per Virtual Function.	6
cfg_interrupt_msix_address	Input	Configuration Interrupt MSI-X Address. When the core is configured to support MSI-X interrupts, this bus is used by the client logic to communicate the address to be used for an MSI-X message.	64
cfg_interrupt_msix_data	Input	Configuration Interrupt MSI-X Data. When the core is configured to support MSI-X interrupts, this bus is used by the client logic to communicate the data to be used for an MSI-X message.	32

Table 2-20: Configuration Interrupt Controller Interface Port Descriptions (Cont'd)

Port	Direction	Description	Width
cfg_interrupt_msix_int	Input	Configuration Interrupt MSI-X Data Valid. This signal indicates that valid information has been placed on the <code>cfg_interrupt_msix_address[63:0]</code> and <code>cfg_interrupt_msix_data[31:0]</code> buses, and the originating Function number has been placed on <code>cfg_interrupt_msi_function_number[3:0]</code> . The core internally registers the associated address and data from <code>cfg_interrupt_msix_address</code> and <code>cfg_interrupt_msix_data</code> on the 0-to-1 transition of this valid signal. After asserting an interrupt, the client logic must wait for the <code>cfg_interrupt_msix_sent</code> or <code>cfg_interrupt_msix_fail</code> indication from the core before asserting a new interrupt.	1
cfg_interrupt_msix_sent	Output	Configuration Interrupt MSI-X Interrupt Sent. The core generates a one-cycle pulse on this output to indicate that it has accepted the information placed on the <code>cfg_interrupt_msix_address[63:0]</code> and <code>cfg_interrupt_msix_data[31:0]</code> buses, and an MSI-X interrupt message has been transmitted on the link. The user application must wait for this pulse before signaling another interrupt condition to the core.	1
cfg_interrupt_msix_fail	Output	Configuration Interrupt MSI-X Interrupt Operation Failed. A one-cycle pulse on this output indicates that the interrupt controller has failed to transmit MSI-X interrupt on the link. The client must retransmit the MSI-X interrupt in this case.	1
cfg_interrupt_msi_attr	Input	Configuration Interrupt MSI/MSI-X TLP Attr. These bits provide the setting of the Attribute bits to be used for the MSI/MSI-X interrupt request. Bit 0 is the No Snoop bit, and bit 1 is the Relaxed Ordering bit. Bit 2 is the ID-Based Ordering bit. The core samples these bits on a 0-to-1 transition on <code>cfg_interrupt_msi_int</code> or <code>cfg_interrupt_msix_int</code> .	3
cfg_interrupt_msi_tph_present	Input	Configuration Interrupt MSI/MSI-X TPH Present. Indicates the presence of a Transaction Processing Hint (TPH) in the MSI/MSI-X interrupt request. The user application must set this bit while asserting <code>cfg_interrupt_msi_int</code> or <code>cfg_interrupt_msix_int</code> , if it includes a TPH in the MSI or MSI-X transaction.	1
cfg_interrupt_msi_tph_type	Input	Configuration Interrupt MSI/MSI-X TPH Type: When <code>cfg_interrupt_msi_tph_present</code> is 1'b1, these two bits supply the two-bit type associated with the hint. The core samples these bits on a 0-to-1 transition on <code>cfg_interrupt_msi_int</code> or <code>cfg_interrupt_msix_int</code> .	2

Table 2-20: Configuration Interrupt Controller Interface Port Descriptions (Cont'd)

Port	Direction	Description	Width
cfg_interrupt_msi_tph_st_tag	Input	Configuration Interrupt MSI/MSI-X TPH Steering Tag. When <code>cfg_interrupt_msi_tph_present</code> is 1'b1, the Steering Tag associated with the Hint must be placed on <code>cfg_interrupt_msi_tph_st_tag[7:0]</code> . Setting <code>cfg_interrupt_msi_tph_st_tag[8]</code> to 1b activates the Indirect Tag mode. In the Indirect Tag mode, the core uses bits [5:0] of <code>cfg_interrupt_msi_tph_st_tag</code> as an index into its Steering Tag Table (STT) in the TPH Capability Structure (STT is limited to 64 entries per Function), and inserts the tag from this location in the transmitted request MSI/X TLP. Setting <code>cfg_interrupt_msi_tph_st_tag[8]</code> to 0b activates the Direct Tag mode. In the Direct Tag mode, the core inserts <code>cfg_interrupt_msi_tph_st_tag[7:0]</code> directly as the Tag in the transmitted MSI/X TLP. The core samples these bits on a 0-to-1 transition on any <code>cfg_interrupt_msi_int</code> bits or <code>cfg_interrupt_msix_int</code> .	9
cfg_interrupt_msi_function_number	Input	Configuration MSI/MSI-X Initiating Function. Indicates the Endpoint function number initiating the MSI or MSI-X transaction: <ul style="list-style-type: none"> • 0: PF0 • 1: PF1 • 2: VF0 • 3: VF1 • 4: VF2 • ... • 7: VF5 	3

Configuration Extend Interface

Table 2-21 defines the ports in the Configuration Extend interface of the core.

Table 2-21: Configuration Extend Interface Port Descriptions

Port	Direction	Description	Width
cfg_ext_read_received	Output	Configuration Extend Read Received. The core asserts this output when it has received a configuration read request from the link. When neither user-implemented legacy or extended configuration space is enabled, receipt of a configuration read results in a one-cycle assertion of this signal, together with valid <code>cfg_ext_register_number</code> and <code>cfg_ext_function_number</code> . When user-implemented legacy, extended configuration space, or both are enabled, for the <code>cfg_ext_register_number</code> ranges, <code>0x10-0x1f</code> or <code>0x100-0x3ff</code> , respectively, this signal is asserted, until user logic presents <code>cfg_ext_read_data</code> and <code>cfg_ext_read_data_valid</code> . For <code>cfg_ext_register_number</code> ranges outside <code>0x10-0x1f</code> or <code>0x100-0x3ff</code> , receipt of a configuration read always results in a one-cycle assertion of this signal.	1
cfg_ext_write_received	Output	Configuration Extend Write Received. The core generates a one-cycle pulse on this output when it has received a configuration write request from the link.	1
cfg_ext_register_number	Output	Configuration Extend Register Number. The 10-bit address of the configuration register being read or written. The data is valid when <code>cfg_ext_read_received</code> or <code>cfg_ext_write_received</code> is High.	10
cfg_ext_function_number	Output	Configuration Extend Function Number. The 8-bit Function Number corresponding to the configuration read or write request. The data is valid when <code>cfg_ext_read_received</code> or <code>cfg_ext_write_received</code> is High.	8
cfg_ext_write_data	Output	Configuration Extend Write Data. Data being written into a configuration register. This output is valid when <code>cfg_snp_write_received</code> is High.	32
cfg_ext_write_byte_enable	Output	Configuration Extend Write Byte Enable. Byte enables for a configuration write transaction.	4
cfg_ext_read_data	Input	Configuration Extend Read Data. The user can provide data from an externally implemented configuration register to the core through this bus. The core samples this data on the next positive edge of the clock after it sets <code>cfg_snp_read_received</code> High, if the user has set <code>cfg_snp_read_data_valid</code> .	32
cfg_ext_read_data_valid	Input	Configuration Extend Read Data Valid. The user asserts this input to the core to supply data from an externally implemented configuration register. The core samples this input data on the next positive edge of the clock after it sets <code>cfg_snp_read_received</code> High.	1

Clock and Reset Interface

Table 2-22 defines the ports in the Clock and Reset interface of the core.

Table 2-22: Clock and Reset Interface Port Descriptions

Port	Direction	Description	Width
user_clk	Output	User clock output (62.5, 125, or 250 MHz). This clock has a fixed frequency and is configured in the Vivado™ Design Suite.	1
user_reset	Output	This signal is deasserted synchronously with respect to user_clk. It is deasserted and asserted asynchronously with sys_reset assertion.	1
sys_clk	Input	Reference clock. This clock has a selectable frequency of 100 MHz, 125 MHz, or 250 MHz.	1
sys_reset	Input	Fundamental reset input to the core (asynchronous, active-High).	1

Clocking Interface for Partial Reconfiguration

The clocking interface provided to the user supports Partial Reconfiguration by use of clocking external to the PCI Express design. Table 2-21 defines the clocking interface signals.

Table 2-23: Clocking Interface Signals

Name	Direction	Description
pipe_pclk_in	Input	Parallel clock used to synchronize data transfers across the parallel interface of the GTX transceiver.
pipe_rxusrclk_in	Input	Provides a clock for the internal RX PCS datapath.
pipe_rxoutclk_in	Input	Recommended clock output to the FPGA logic.
pipe_dclk_in	Input	Dynamic reconfiguration clock.
pipe_userclk1_in	Input	Optional user clock.
pipe_userclk2_in	Input	Optional user clock
pipe_mmcm_lock_in	Input	Indicates if the MMCM is locked onto the source CLK.
pipe_txoutclk_out	Output	Recommended clock output to the FPGA logic.
pipe_rxoutclk_out	Output	Recommended clock output to the FPGA logic.
pipe_pclk_sel_out	Output	Parallel clock select.

Table 2-23: Clocking Interface Signals (Cont'd)

Name	Direction	Description
pipe_gen3_out	Output	Indicates the PCI Express operating speed.
pipe_mmcm_rst_n	Input	Provides a MMCM reset port (<code>pipe_mmcm_rst_n</code>) and has the upper layer control the reset if error recovery is required. If system detects the MMCM lose lock, Xilinx recommends that you reset the MMCM. Reset the MMCM after the MMCM input clock recovers (if MMCM reset occurs before the input reference clock recovers, the MMCM might never relock). After MMCM reset, wait for MMCM lock and then reset the PIPE Wrapper as normally done. Currently this input is tied high.

PCI Express Interface

The PCI Express (PCI_EXP) interface consists of differential transmit and receive pairs organized in multiple lanes. A PCI Express lane consists of a pair of transmit differential signals (`pci_exp_txp`, `pci_exp_txn`) and a pair of receive differential signals {`pci_exp_rxp`, `pci_exp_rxn`}. The 1-lane core supports only Lane 0, the 2-lane core supports lanes 0–1, the 4-lane core supports lanes 0-3, and the 8-lane core supports lanes 0–7. Transmit and receive signals of the PCI_EXP interface are defined in Table 2-24.

Table 2-24: PCI Express Interface Signals for 1-, 2-, 4- and 8-Lane Cores

Lane Number	Name	Direction	Description
1-Lane Cores			
0	<code>pci_exp_txp0</code>	Output	PCI Express Transmit Positive: Serial Differential Output 0 (+)
	<code>pci_exp_txn0</code>	Output	PCI Express Transmit Negative: Serial Differential Output 0 (-)
	<code>pci_exp_rxp0</code>	Input	PCI Express Receive Positive: Serial Differential Input 0 (+)
	<code>pci_exp_rxn0</code>	Input	PCI Express Receive Negative: Serial Differential Input 0 (-)
2-Lane Cores			
0	<code>pci_exp_txp0</code>	Output	PCI Express Transmit Positive: Serial Differential Output 0 (+)
	<code>pci_exp_txn0</code>	Output	PCI Express Transmit Negative: Serial Differential Output 0 (-)
	<code>pci_exp_rxp0</code>	Input	PCI Express Receive Positive: Serial Differential Input 0 (+)
	<code>pci_exp_rxn0</code>	Input	PCI Express Receive Negative: Serial Differential Input 0 (-)
1	<code>pci_exp_txp1</code>	Output	PCI Express Transmit Positive: Serial Differential Output 1 (+)
	<code>pci_exp_txn1</code>	Output	PCI Express Transmit Negative: Serial Differential Output 1 (-)
	<code>pci_exp_rxp1</code>	Input	PCI Express Receive Positive: Serial Differential Input 1 (+)
	<code>pci_exp_rxn1</code>	Input	PCI Express Receive Negative: Serial Differential Input 1 (-)

Table 2-24: PCI Express Interface Signals for 1-, 2-, 4- and 8-Lane Cores (Cont'd)

Lane Number	Name	Direction	Description
4-Lane Cores			
0	pci_exp_txp0	Output	PCI Express Transmit Positive: Serial Differential Output 0 (+)
	pci_exp_txn0	Output	PCI Express Transmit Negative: Serial Differential Output 0 (-)
	pci_exp_rxp0	Input	PCI Express Receive Positive: Serial Differential Input 0 (+)
	pci_exp_rxn0	Input	PCI Express Receive Negative: Serial Differential Input 0 (-)
1	pci_exp_txp1	Output	PCI Express Transmit Positive: Serial Differential Output 1 (+)
	pci_exp_txn1	Output	PCI Express Transmit Negative: Serial Differential Output 1 (-)
	pci_exp_rxp1	Input	PCI Express Receive Positive: Serial Differential Input 1 (+)
	pci_exp_rxn1	Input	PCI Express Receive Negative: Serial Differential Input 1 (-)
2	pci_exp_txp2	Output	PCI Express Transmit Positive: Serial Differential Output 2 (+)
	pci_exp_txn2	Output	PCI Express Transmit Negative: Serial Differential Output 2 (-)
	pci_exp_rxp2	Input	PCI Express Receive Positive: Serial Differential Input 2 (+)
	pci_exp_rxn2	Input	PCI Express Receive Negative: Serial Differential Input 2 (-)
3	pci_exp_txp3	Output	PCI Express Transmit Positive: Serial Differential Output 3 (+)
	pci_exp_txn3	Output	PCI Express Transmit Negative: Serial Differential Output 3 (-)
	pci_exp_rxp3	Input	PCI Express Receive Positive: Serial Differential Input 3 (+)
	pci_exp_rxn3	Input	PCI Express Receive Negative: Serial Differential Input 3 (-)
8-Lane Cores			
0	pci_exp_txp0	Output	PCI Express Transmit Positive: Serial Differential Output 0 (+)
	pci_exp_txn0	Output	PCI Express Transmit Negative: Serial Differential Output 0 (-)
	pci_exp_rxp0	Input	PCI Express Receive Positive: Serial Differential Input 0 (+)
	pci_exp_rxn0	Input	PCI Express Receive Negative: Serial Differential Input 0 (-)
1	pci_exp_txp1	Output	PCI Express Transmit Positive: Serial Differential Output 1 (+)
	pci_exp_txn1	Output	PCI Express Transmit Negative: Serial Differential Output 1 (-)
	pci_exp_rxp1	Input	PCI Express Receive Positive: Serial Differential Input 1 (+)
	pci_exp_rxn1	Input	PCI Express Receive Negative: Serial Differential Input 1 (-)
2	pci_exp_txp2	Output	PCI Express Transmit Positive: Serial Differential Output 2 (+)
	pci_exp_txn2	Output	PCI Express Transmit Negative: Serial Differential Output 2 (-)
	pci_exp_rxp2	Input	PCI Express Receive Positive: Serial Differential Input 2 (+)
	pci_exp_rxn2	Input	PCI Express Receive Negative: Serial Differential Input 2 (-)
3	pci_exp_txp3	Output	PCI Express Transmit Positive: Serial Differential Output 3 (+)
	pci_exp_txn3	Output	PCI Express Transmit Negative: Serial Differential Output 3 (-)
	pci_exp_rxp3	Input	PCI Express Receive Positive: Serial Differential Input 3 (+)
	pci_exp_rxn3	Input	PCI Express Receive Negative: Serial Differential Input 3 (-)

Table 2-24: PCI Express Interface Signals for 1-, 2-, 4- and 8-Lane Cores (Cont'd)

Lane Number	Name	Direction	Description
4	pci_exp_txp4	Output	PCI Express Transmit Positive: Serial Differential Output 4 (+)
	pci_exp_txn4	Output	PCI Express Transmit Negative: Serial Differential Output 4 (-)
	pci_exp_rxp4	Input	PCI Express Receive Positive: Serial Differential Input 4 (+)
	pci_exp_rxn4	Input	PCI Express Receive Negative: Serial Differential Input 4 (-)
5	pci_exp_txp5	Output	PCI Express Transmit Positive: Serial Differential Output 5 (+)
	pci_exp_txn5	Output	PCI Express Transmit Negative: Serial Differential Output 5 (-)
	pci_exp_rxp5	Input	PCI Express Receive Positive: Serial Differential Input 5 (+)
	pci_exp_rxn5	Input	PCI Express Receive Negative: Serial Differential Input 5 (-)
6	pci_exp_txp6	Output	PCI Express Transmit Positive: Serial Differential Output 6 (+)
	pci_exp_txn6	Output	PCI Express Transmit Negative: Serial Differential Output 6 (-)
	pci_exp_rxp6	Input	PCI Express Receive Positive: Serial Differential Input 6 (+)
	pci_exp_rxn6	Input	PCI Express Receive Negative: Serial Differential Input 6 (-)
7	pci_exp_txp7	Output	PCI Express Transmit Positive: Serial Differential Output 7 (+)
	pci_exp_txn7	Output	PCI Express Transmit Negative: Serial Differential Output 7 (-)
	pci_exp_rxp7	Input	PCI Express Receive Positive: Serial Differential Input 7 (+)
	pci_exp_rxn7	Input	PCI Express Receive Negative: Serial Differential Input 7 (-)

User TPH Interface

For each active Physical Function (PF) or Virtual Function (VF) user must perform the following:

1. Wait for assertion of the bit corresponding to PF in `cfg_tph_requester_enable[1:0]` or VF in `cfg_vf_tph_requester_enable[5:0]`. Here `cfg_tph_requester_enable[0]`, indicates PF0 status and so on, while `cfg_vf_tph_requester_enable[0]` indicates status of VF0, and so on.
2. Before using the Steering Tag (ST) Table entries using the `user_tph` interface, user must be made of the ST Mode of Operation values indicated for the corresponding PF by
3. `cfg_tph_st_mode[5:0]` (where values for PF0 are in `cfg_tph_st_mode[2:0]`, and so on), or VF by `cfg_vf_tph_st_mode[17:0]` (where values for VF0 are in `cfg_vf_tph_st_mode[2:0]`, and so on). Here :
 - ST Mode of Operation of 000b indicates: no ST Mode, meaning, that Function must use a value of all zeroes for all Steering Tags.
 - ST Mode of Operation of 001 indicates: Interrupt Vector Mode, meaning, each Steering Tag is selected by an MSI/MSI-X interrupt vector number. The Function is required to use the Steering Tag value from an ST Table entry that can be indexed by a valid MSI/MSI-X interrupt vector number.

- ST Mode of Operation of 010 indicates: Device Specific Mode, where,
- it is recommended for the Function to use a Steering Tag (ST) value from an ST Table entry, but it is not required

Table 2-25: User TPH Interface Signals

Port Name	Direction	Description	Width
user_tph_stt_address	Input	Indicates the address of an entry that user wants to read from ST table.	5
user_tph_function_num	Input	Function number associated with the read request (0 =PF 0, 1 = PF 1, 2= VF 0, 3 = VF 1, ...)	3
user_tph_stt_read_data	Output	Indicates the 32-bit data read from the ST table for the address given by user_tph_stt_address.	32
user_tph_stt_read_data_valid	Output	Indicates that valid data has been placed on the user_tph_stt_read_data bus.	1
user_tph_stt_read_enable	Input	It should be asserted when placing the address user_tph_stt_address to be read from the ST table for an active function.	1

Attribute Descriptions

Client Interface

Table 2-26 lists the configuration attributes controlling the operation of the client interface of the core.

Table 2-26: Configuration Attributes of the Integrated Block Client Interface

Attribute Name	Type	Description
USER_CLK2_FREQ	Integer	0: Disable User Clock 1: 31.25 MHz 2: 62.50 MHz (default) 3: 125.00 MHz 4: 250.00 MHz 5: 500.00 MHz
PL_LINK_CAP_MAX_LINK_SPEED[2:0]	Bit vector	Defines the maximum speed of the PCIe link. <ul style="list-style-type: none"> • 001: 2.5 GT/s • 010: 5.0 GT/s • 100: 8.0 GT/s • others: Reserved

Table 2-26: Configuration Attributes of the Integrated Block Client Interface (Cont'd)

Attribute Name	Type	Description
PL_LINK_CAP_MAX_LINK_WIDTH[3:0]	Bit vector	Maximum Link Width. Valid settings are: <ul style="list-style-type: none"> • 0001b: x1 • 0010b: x2 • 0100b: x4 • 1000b: x8 All other encodings are reserved. This setting is propagated to all layers in the core.
C_DATA_WIDTH	Integer	Configures the width of the AXI4-Stream interfaces. <ul style="list-style-type: none"> • 64 bit interface • 128 bit interface • 256 bit interface
AXISTEN_IF_CQ_ALIGNMENT_MODE	String	Defines the data alignment mode for the completer request interface. <ul style="list-style-type: none"> • FALSE: Dword-aligned Mode • TRUE: Address-aligned Mode
AXISTEN_IF_CC_ALIGNMENT_MODE	String	Defines the data alignment mode for the completer completion interface. <ul style="list-style-type: none"> • FALSE: Dword-aligned Mode • TRUE: Address-aligned Mode
AXISTEN_IF_RQ_ALIGNMENT_MODE	String	Defines the data alignment mode for the requester request interface. <ul style="list-style-type: none"> • FALSE: Dword-aligned Mode • TRUE: Address-aligned Mode
AXISTEN_IF_RC_ALIGNMENT_MODE	String	Defines the data alignment mode for the requester completion interface. <ul style="list-style-type: none"> • FALSE: Dword-aligned Mode • TRUE: Address-aligned Mode
AXISTEN_IF_RC_STRADDLE	String	This attribute enables the straddle option on the requester completion interface. <ul style="list-style-type: none"> • FALSE: Straddle option disabled • TRUE: Straddle option enabled
AXISTEN_IF_RQ_PARITY_CHECK	String	This attribute enables parity checking on the requester request interface. <ul style="list-style-type: none"> • FALSE: Parity check disabled • TRUE: Parity check enabled
AXISTEN_IF_CC_PARITY_CHECK	String	This attribute enables parity checking on the completer completion interface. <ul style="list-style-type: none"> • FALSE: Parity check disabled • TRUE: Parity check enabled

Table 2-26: Configuration Attributes of the Integrated Block Client Interface (Cont'd)

Attribute Name	Type	Description
AXISTEN_IF_ENABLE_RX_MSG_INTFC	String	<p>This attribute controls how the core delivers a message received from the link.</p> <p>When this attribute is set to FALSE, the core delivers the received message TLPs on the completer request interface using the AXI4-Stream protocol. In this mode, the user can select the message types to receive using the AXISTEN_IF_ENABLE_MSG_ROUTE attributes. The receive message interface remains disabled in this mode.</p> <p>When this attribute is set to TRUE, the core internally decodes messages received from the link, and signals them to the user by activating the <code>cfg_msg_received</code> signal on the receive message interface. The core does not transfer any message TLPs on the completer request interface. The settings of the AXISTEN_ENABLE_MSG_ROUTE attributes have no effect on the operation of the receive message interface in this mode.</p>
AXISTEN_IF_ENABLE_MSG_ROUTE[17:0]	Bit vector	<p>When the AXISTEN_IF_ENABLE_RX_MSG_INTFC attribute is set to 0, these attributes can be used to select the specific message types that the user wants to receive on the completer request interface. Setting a bit to 1 enables the delivery of the corresponding type of messages on the interface, and setting it to 0 results in the core filtering the message.</p> <p>Table 2-27 defines the attribute bit definitions corresponding to the various message types.</p>
AXISTEN_IF_ENABLE_CLIENT_TAG	String	<p>When this attribute is FALSE, tag management for Non-Posted transactions initiated from the requester request interface is performed by the Integrated Block. That is, for each Non-Posted request, the core allocates the tag for the transaction and communicates it to the client.</p> <p>Setting this attribute to TRUE disables the internal tag management, allowing the user to supply the tag to be used for each request. The user must present the Tag field in the Request descriptor header in the range 0–31 when the <code>PF0_DEV_CAP_EXT_TAG_SUPPORTED</code> attribute is FALSE, while the Tag field can be in the range 0–63 when the <code>PF0_DEV_CAP_EXT_TAG_SUPPORTED</code> attribute is TRUE.</p>

Table 2-27: AXISTEN_IF_ENABLE_MSG_ROUTE Attribute Bit Descriptions

Bit Index	Message Type
0	ERR_COR
1	ERR_NONFATAL

Table 2-27: AXISTEN_IF_ENABLE_MSG_ROUTE Attribute Bit Descriptions (Cont'd)

Bit Index	Message Type
2	ERR_FATAL
3	Assert_INTA and Deassert_INTA
4	Assert_INTB and Deassert_INTB
5	Assert_INTC and Deassert_INTC
6	Assert_INTD and Deassert_INTD
7	PM_PME
8	PME_TO_Ack
9	PME_Turn_Off
10	PM_Active_State_Nak
11	Set_Slot_Power_Limit
12	Latency Tolerance Reporting (LTR)
13	Optimized Buffer Flush/Fill (OBFF)
14	Unlock
15	Vendor_Defined Type 0
16	Vendor_Defined Type 1
17	Invalid Request, Invalid Completion, Page Request, PRG Response

Configuration Space

The PCI configuration space consists of three primary parts, illustrated in [Table 2-28](#). These include:

- Legacy PCI v3.0 Type 0/1 Configuration Space Header
 - Type 0 Configuration Space Header used by Endpoint applications (see [Table 2-29](#))
 - Type 1 Configuration Space Header used by Root Port applications (see [Table 2-30](#))
- Legacy Extended Capability Items
 - PCIe Capability Item
 - Power Management Capability Item
 - Message Signaled Interrupt (MSI) Capability Item
 - MSI-X Capability Item (optional)
- PCIe Capabilities
 - Advanced Error Reporting Extended Capability Structure (AER)
 - Alternate Requestor ID (ARI) (optional)

- Device Serial Number Extended Capability Structure (DSN) (optional)
- Power Budgeting Enhanced
- Capability Header (PB) (optional)
- Resizable BAR (RBAR) (optional)
- Latency Tolerance Reporting (LTR) (optional)
- Dynamic Power Allocation (DPA) (optional)
- Single Root I/O Virtualization (SR-IOV) (optional)
- Transaction Processing Hints (TPH) (optional)
- Virtual Channel Extended Capability Structure (VC) (optional)
- PCIe Extended Capabilities
 - Device Serial Number Extended Capability Structure (optional)
 - Virtual Channel Extended Capability Structure (optional)
 - Advanced Error Reporting Extended Capability Structure (optional)

The core implements up to four legacy extended capability items.

For more information about enabling this feature, see [Chapter 7, Customizing and Generating the Core](#).

The core optionally implements up to ten PCI Express Extended Capabilities. The remaining PCI Express Extended Capability Space is available for users to implement. The starting address of the space available to users begins at 3DC_h. If you choose to implement registers in this space, you can select the starting location of this space, and this space must be implemented in the User Application.

For more information about enabling this feature, see [PCIe Extended Capabilities in Chapter 7](#).

Table 2-28: Common PCI Configuration Space Header

31	16	15	0		
Device ID		Vendor ID		000h	
Status		Command		004h	
Class Code			Rev ID	008h	
BIST	Header	Lat Timer	Cache Ln	00Ch	
Header Type Specific (see Table 2-29 and Table 2-30)				010h	
				014h	
				018h	
				01Ch	
				020h	
				024h	
				028h	
				02Ch	
				030h	
			Intr Pin	038h	
			Intr Line	03Ch	
Reserved				040h-07Ch	
PM Capability		NxtCap	PM Cap	080h	
Data	Reserved	PMCSR		084h	
Reserved				088h-08Ch	
Customizable ⁽¹⁾	MSI Control		NxtCap	MSI Cap	090h
	Message Address (Lower)				094h
	Message Address (Upper)				098h
	Reserved		Message Data		09Ch
	Mask Bits				0A0h
	Pending Bits				0A4h
	Reserved				0A8h-0ACh

Table 2-28: Common PCI Configuration Space Header (Cont'd)

	31	16	15	0	
Optional ⁽³⁾	MSI-X Control		NxtCap	MSI-X Cap	0B0h
	Table Offset			Table BIR	0B4h
	PBA Offset			PBA BIR	0B8h
	Reserved				0BCh
	PE Capability		NxtCap	PE Cap	0C0h
	PCI Express Device Capabilities				0C4h
	Device Status		Device Control		0C8h
	PCI Express Link Capabilities				0CCh
	Link Status		Link Control		0D0h
	Root Port Only ⁽²⁾	Slot Capabilities			
Slot Status		Slot Control		0D8h	
Root Capabilities		Root Control		0DCh	
Root Status				0E0h	
	PCI Express Device Capabilities 2				0E4h
	Device Status 2		Device Control 2		0E8h
	PCI Express Link Capabilities 2				0ECh
	Link Status 2		Link Control 2		0F0h
	Unimplemented Configuration Space (Returns 0x00000000)				0F4h-0FCh
	Always Enabled	Next Cap	Cap. Ver.	PCI Express Extended Cap. ID (AER)	
Uncorrectable Error Status Register				104h	
Uncorrectable Error Mask Register				108h	
Uncorrectable Error Severity Register				10Ch	
Correctable Error Status Register				110h	
Correctable Error Mask Register				114h	
Advanced Error Cap. & Control Register				118h	
Header Log Register 1				11Ch	
Header Log Register 2				120h	
Header Log Register 3				124h	
Header Log Register 4				128h	
Reserved				12Ch	
Optional, Root Port only ⁽³⁾		Root Error Command Register			
	Root Error Status Register				134h
	Error Source ID Register				138h

Table 2-28: Common PCI Configuration Space Header (Cont'd)

	31	16	15	0	
	Reserved				13Ch
Optional ⁽³⁾⁽⁴⁾	Next Cap	Cap. Ver.	PCI Express Extended Capability - Alternate Requester ID (ARI)		140h
	Control		Next Function	Function Groups	144h
	Reserved				148h-14Ch
Optional ⁽³⁾	Next Cap	Cap. Ver.	PCI Express Extended Capability - DSN		150h
	PCI Express Device Serial Number (1st)				154h
	PCI Express Device Serial Number (2nd)				158h
	Reserved				15Ch
Optional ⁽³⁾	Next Cap	Cap. Ver.	PCI Express Extended Capability - Power Budgeting Enhanced Capability Header		160h
	Reserved			DS	164h
	Reserved	Power Budget Data - State D0, D1, D3, ...			168h
	Power Budget Capability				16Ch
	Reserved				170h-1B4h
Optional ⁽³⁾	Next Cap	Cap. Ver.	PCI Express Extended Capability ID - Latency Tolerance Reporting (LTR)		1B8h
	No-Snoop		Snoop		1BCh
Optional ⁽³⁾	Next Cap	Cap. Ver.	PCI Express Extended Capability ID - Dynamic Power Allocation		1C0h
	Capability Register				1C4h
	Latency Indicator				1C8h
	Control		Status		1CCh
	Power Allocation Array Register 0				1D0h
	Power Allocation Array Register 1				1D4h
	Reserved				1D8h-1FCh

Table 2-28: Common PCI Configuration Space Header (Cont'd)

	31	16	15	0	
Optional ⁽³⁾	Next Cap	Cap. Ver.	PCI Express Extended Capability ID - Single Root I/O Virtualization (SR-IOV)		200h
	Capability Register				204h
	SR-IOV Status (not supported)		Control		208h
	Total VFs		Initial VFs		20Ch
	Function Dependency Link		Number VFs		210h
	VF Stride		First VF Offset		214h
	VF Device ID		Reserved		218h
	Supported Page Sizes				21Ch
	System Page Size				220h
	VF Base Address Register 0				224h
	VF Base Address Register 1				228h
	VF Base Address Register 2				22Ch
	VF Base Address Register 3				230h
	VF Base Address Register 4				234h
	VF Base Address Register 5				238h
	Reserved				23Ch
	Reserved				240h-270h
Optional ⁽³⁾	Next Cap	Cap. Ver.	PCI Express Extended Capability ID - Transaction Processing Hints (TPH)		274h
	Capability Register				278h
	Requester Control Register				27Ch
	Reserved		Steering Tag Upper	Steering Tag Lower	280h
	Reserved				284h - 2FCh
Optional ⁽³⁾	Next Cap	Cap. Ver.	PCI Express Extended Capability ID - Secondary PCIe Extended Capability		300h
	Lane Control (not supported)				304h
	Reserved		Lane Error Status		308h
	Lane Equalization Control Register 0				30Ch
	Lane Equalization Control Register 1				310h
	Lane Equalization Control Register 2				314h
	Lane Equalization Control Register 3				318h
Reserved				31Ch-3BCh	

Table 2-28: Common PCI Configuration Space Header (Cont'd)

	31		16	15		0	
Optional ⁽³⁾	Next Cap		Cap. Ver.		PCI Express Extended Capability - VC		3C0h
	Port VC Capability Register 1						3C4h
	Port VC Capability Register 2						3C8h
	Port VC Status			Port VC Control			3CCh
	VC Resource Capability Register 0						3D0h
	VC Resource Control Register 0						3D4h
	VC Resource Status Register 0						3D8h
	Reserved						400h-FFFh

Notes:

1. The MSI Capability Structure varies depending on the selections in the Vivado Design Suite.
2. Reserved for Endpoint configurations (returns 0x00000000).
3. The layout of the PCI Express Extended Configuration Space (100h-FFFh) can change dependent on which optional capabilities are enabled. This table represents the Extended Configuration space layout when all optional extended capability structures, except RBAR, are enabled.
4. Enabled by default if the SR-IOV option is enabled.

Table 2-29: Type 0 PCI Configuration Space Header

	31		16		15		0	
Device ID				Vendor ID				00h
Status				Command				04h
Class Code						Rev ID		08h
BIST	Header		Lat Timer		Cache Ln		0Ch	
Base Address Register 0								10h
Base Address Register 1								14h
Base Address Register 2								18h
Base Address Register 3								1Ch
Base Address Register 4								20h
Base Address Register 5								24h
Cardbus CIS Pointer								28h
Subsystem ID				Subsystem Vendor ID				2Ch
Expansion ROM Base Address								30h
Reserved						CapPtr		34h
Reserved								38h
Max Lat	Min Gnt		Intr Pin		Intr Line		3Ch	

Table 2-30: Type 1 PCI Configuration Space Header

31	16	15	0	
Device ID		Vendor ID		00h
Status		Command		04h
Class Code			Rev ID	08h
BIST	Header	Lat Timer	Cache Ln	0Ch
Base Address Register 0				10h
Base Address Register 1				14h
Second Lat Timer	Sub Bus Number	Second Bus Number	Primary Bus Number	18h
Secondary Status		I/O Limit	I/O Base	1Ch
Memory Limit		Memory Base		20h
Prefetchable Memory Limit		Prefetchable Memory Base		24h
Prefetchable Base Upper 32 Bits				28h
Prefetchable Limit Upper 32 Bits				2Ch
I/O Limit Upper 16 Bits		I/O Base Upper 16 Bits		30h
Reserved			CapPtr	34h
Expansion ROM Base Address				38h
Bridge Control		Intr Pin	Intr Line	3Ch

Designing with the Core

This chapter includes guidelines and additional information to make designing with the core easier.

General Design Guidelines

For more information about clock, transceiver, and I/O placement rules, see the *7 Series FPGAs SelectIO™ Resources User Guide (UG471)* [Ref 5], *7 Series FPGAs Clocking Resources User Guide (UG472)* [Ref 6], and *7 Series FPGAs GTX/GTH Transceivers User Guide (UG476)* [Ref 7].



IMPORTANT: *Pay special attention to clocking conflicts or errors that might result from choosing I/O and transceivers that do not follow these guides. Failure to adhere to these guides will result in build errors and data integrity errors.*

Clocking

The input system clock signal of the Virtex®-7 FPGA Gen3 Integrated Block for PCI Express® core is called `ref_clk`. The core requires a 100 MHz, 125 MHz, or 250 MHz clock input. The clock frequency used must match the clock frequency selection in the Vivado™ IP catalog. For more information, see the Answer Records at the [Xilinx PCI Express Solution Center](#).

In a typical PCI Express® solution, the PCI Express reference clock is a spread spectrum clock (SSC), provided at 100 MHz. In most commercial PCI Express systems, SSC cannot be disabled. For more information regarding SSC and PCI Express, see Section 4.3.7.1.1 of the *PCI Express Base Specification, rev. 3.0* [Ref 2].

Synchronous and Non-Synchronous Clocking

There are two ways to clock the PCI Express system:

- Using synchronous clocking, where a shared clock source is used for all devices.

- Using non-synchronous clocking, where each device has its own clock source. Spread spectrum clocking (SSC) and active state power management (ASPM) must not be used in systems with non-synchronous clocking.



IMPORTANT: The most commonly used clocking methodology is synchronous clocking. All add-in card designs must use synchronous clocking due to the characteristics of the provided reference clock. For devices using the Slot clock, the "Slot Clock Configuration" setting in the Link Status Register must be enabled in the Vivado IP catalog. See [Clocking Requirements, page 84](#) and the [7 Series FPGAs GTX/GTH Transceivers User Guide \(UG476\) \[Ref 7\]](#) for additional information regarding reference clock requirements.

For synchronous clocked systems, each link partner device shares the same clock source. [Figure 3-1](#) and [Figure 3-3](#) show a system using a 100 MHz reference clock. When using the 125 MHz or the 250 MHz reference clock option, an external PLL must be used to do a multiply of 5/4 and 5/2 to convert the 100 MHz clock to 125 MHz and 250 MHz, respectively, as illustrated in [Figure 3-2](#) and [Figure 3-4](#).

Even if the device is part of an embedded system, if the system uses commercial PCI Express root complexes or switches along with typical motherboard clocking schemes, synchronous clocking should still be used as shown in [Figure 3-1](#) and [Figure 3-2](#).

[Figure 3-1](#) through [Figure 3-4](#) illustrate high-level representations of the board layouts. Designers must ensure that proper coupling, termination, and so forth are used when laying out the board.

Note: [Figure 3-1](#) through [Figure 3-4](#) are high-level representations of the board layout. Ensure that proper coupling, termination, and so forth are used when laying out a board.

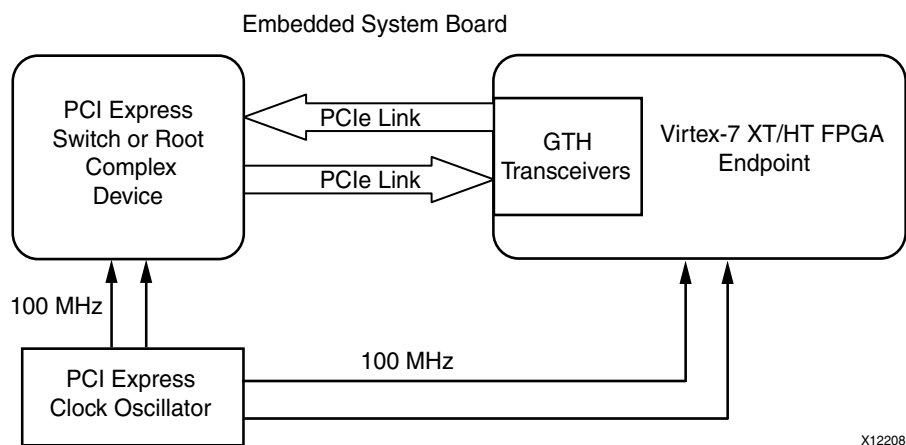


Figure 3-1: Embedded System Using 100 MHz Reference Clock

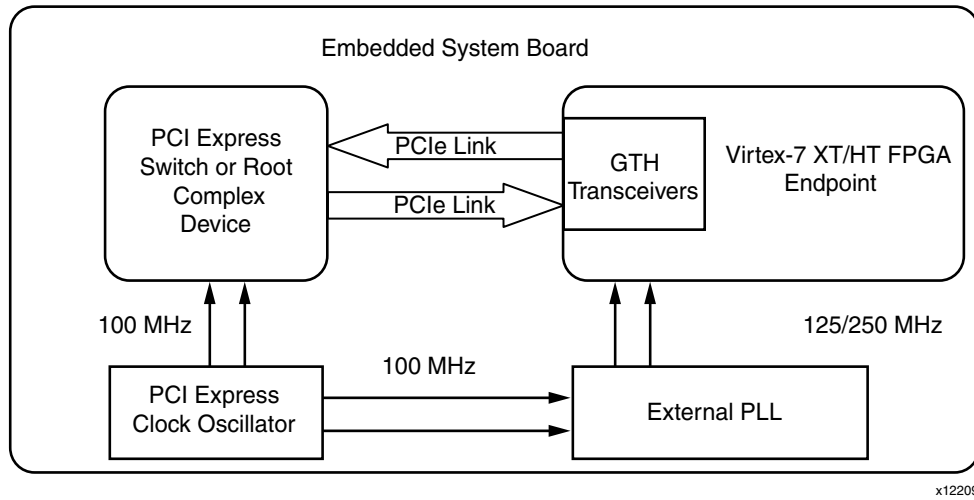


Figure 3-2: Embedded System Using 125/250 MHz Reference Clock

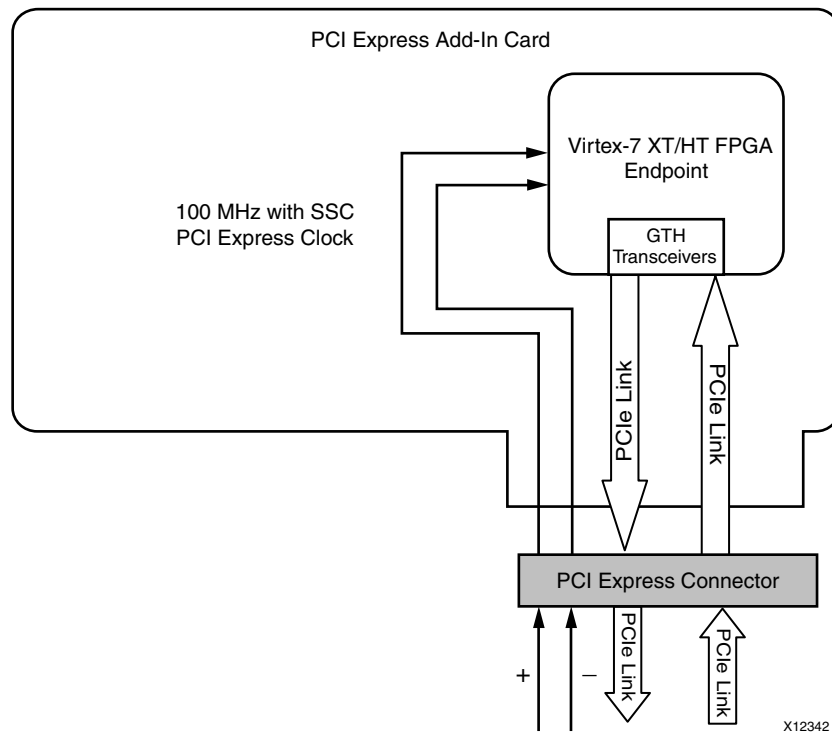
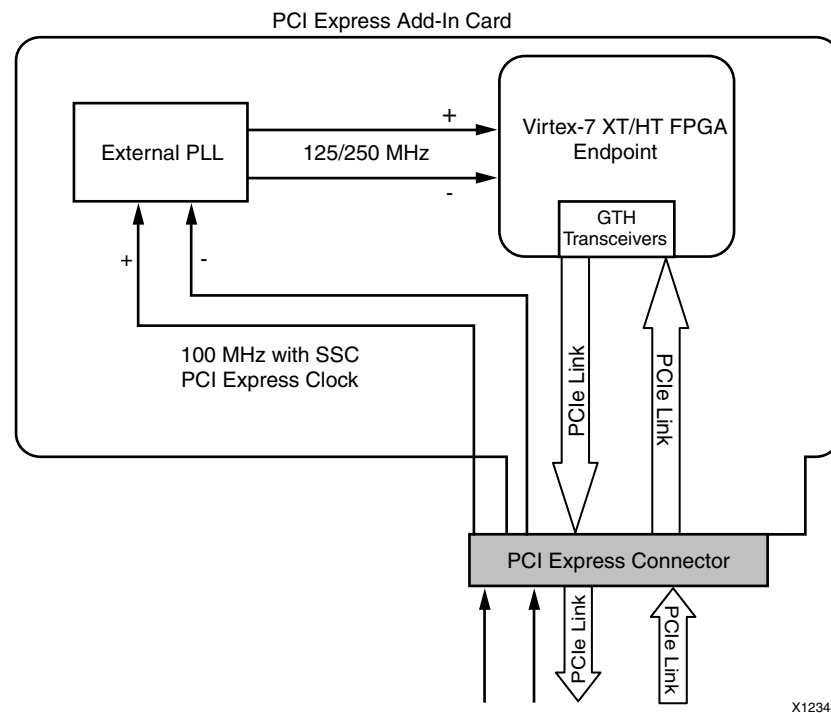


Figure 3-3: Open System Add-In Card Using 100 MHz Reference Clock



X12343

Figure 3-4: Open System Add-In Card Using 125/250 MHz Reference Clock

Resets

The core resets the system using `sys_reset`, an asynchronous, active-Low reset signal asserted during the PCI Express Fundamental Reset. Asserting this signal causes a hard reset of the entire core, including the GTH transceivers. After the reset is released, the core attempts to link train and resume normal operation. In a typical Endpoint application, for example an add-in card, a sideband reset signal is normally present and should be connected to `sys_reset`. For Endpoint applications that do not have a sideband system reset signal, the initial hardware reset should be generated locally. Four reset events can occur in PCI Express:

- **Cold Reset:** A Fundamental Reset that occurs at the application of power. The `sys_reset` signal is asserted to cause the cold reset of the core.
- **Warm Reset:** A Fundamental Reset triggered by hardware without the removal and re-application of power. The `sys_reset` signal is asserted to cause the warm reset to the core.
- **Hot Reset:** In-band propagation of a reset across the PCI Express Link through the protocol, resetting the entire Endpoint device. In this case, `sys_reset` is not used. In the case of Hot Reset, the `cfg_hot_reset_out` signal is asserted to indicate the source of the reset.

- **Function-Level Reset:** In-band propagation of a reset across the PCI Express Link through the protocol, resetting only a specific function. In this case, the core asserts the bit of either `cfg_flr_in_process` and/or `cfg_vf_flr_in_process` that corresponds to the function being reset. Logic associated with the function being reset must assert the corresponding bit of `cfg_flr_done` or `cfg_vf_flr_done` to indicate it has completed the reset process. Support for function-level reset is indicated via the `PF0_DEV_CAP_FUNCTION_LEVEL_RESET_CAPABLE` parameter.

The User Application interface of the core has an output signal called `user_reset`. This signal is deasserted synchronously with respect to `user_clk`. The `user_reset` signal is asserted as a result of any of these conditions:

- **Fundamental Reset:** Occurs (cold or warm) due to assertion of `sys_reset`.
- **PLL within the Core Wrapper:** Loses lock, indicating an issue with the stability of the clock input.
- **Loss of Transceiver PLL Lock:** Any transceiver loses lock, indicating an issue with the PCI Express Link.

The `user_reset` signal is deasserted synchronously with `user_clk` after all of the listed conditions are resolved, allowing the core to attempt to train and resume normal operation.

Note: Systems designed to the PCI Express electromechanical specification provide a sideband reset signal, which uses 3.3V signaling levels—see the Virtex-7 FPGA data sheet to understand the requirements for interfacing to such signals.

AXI4-Stream Interface Description

This section provides a detailed description of the features, parameters, and signals associated with the client-side interfaces of the core.

Overview of Features

Figure 3-5 illustrates the client-side interface of the core.

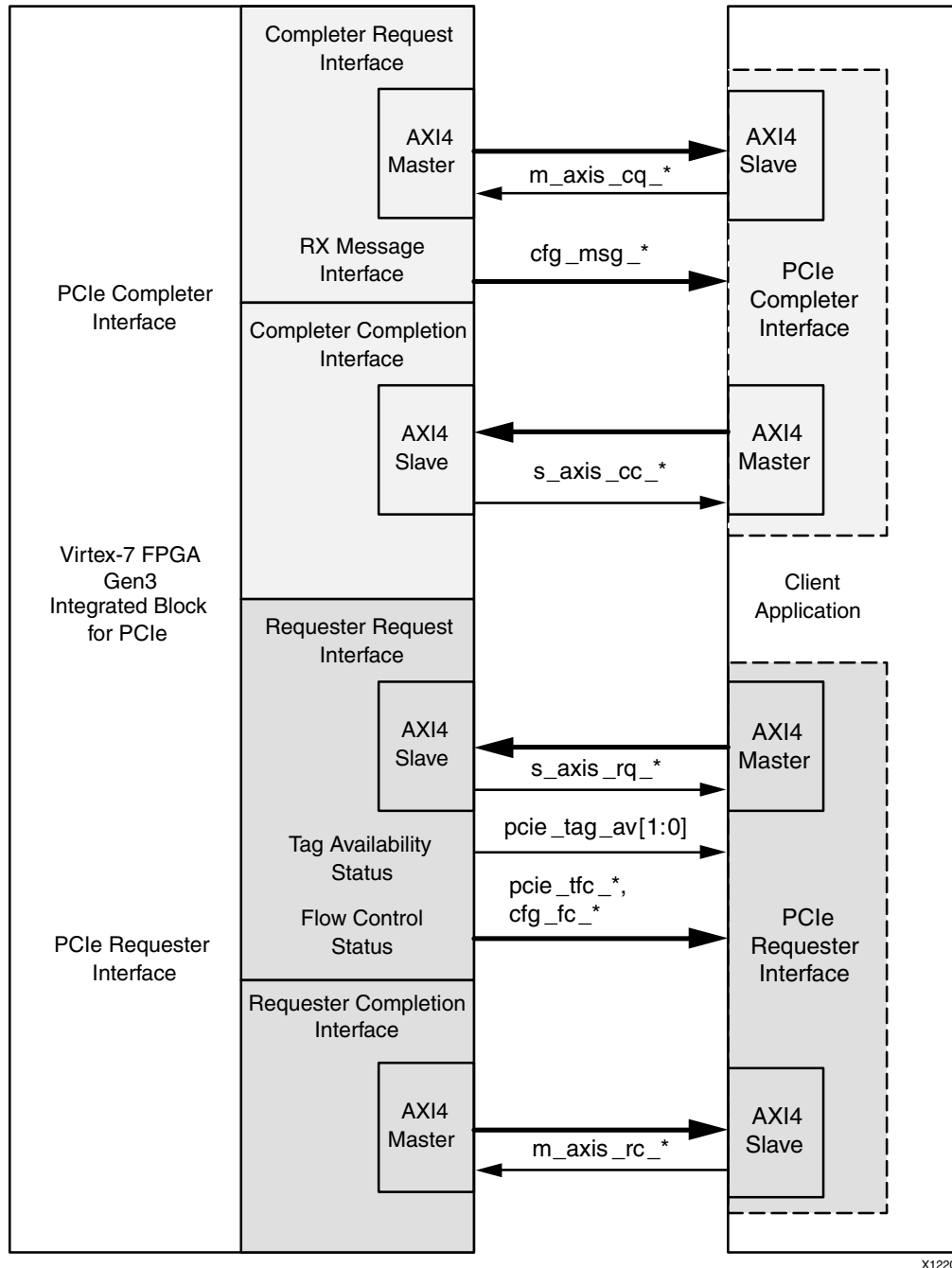


Figure 3-5: Block Diagram of Virtex-7 FPGA Gen3 Integrated Block Client Interfaces

The interface is organized as four separate interfaces through which data can be transferred between the PCIe link and the client application:

- A PCIe Completer reQuest (CQ) interface through which requests arriving from the link are delivered to the client application.
- A PCIe Completer Completion (CC) interface through which the client application can send back responses to the completer requests. The client can process all Non-Posted

transactions as split transactions. That is, it can continue to accept new requests on the completer request interface while sending a completion for a request.

- A PCIe Requester reQuest (RQ) interface through which the client application can generate requests to remote PCIe devices attached to the link.
- A PCIe Requester Completion (RC) interface through which the Integrated Block returns the completions received from the link (in response to the client's requests as PCIe requester) to the client application.

Each of the four interfaces is based on the AMBA4® AXI4-Stream Protocol Specification [Ref 1]. The width of these interfaces can be configured as 64, 128, or 256 bytes, and the user clock frequencies can be selected as 62.5, 125, or 250 MHz, depending on the number of lanes and PCIe generation chosen by the user. Table 3-1 lists the valid combinations of interface width and user clock frequency for the different link widths and link speeds supported by the Integrated Block. All four AXI4-Stream interfaces are configured with the same width in all cases.

In addition, the Integrated Block contains two interfaces through which status information is communicated to the PCIe master side of the client application:

- A flow control status interface that provides information on currently available transmit credit, so that the client application can schedule requests based on available credit.
- A tag availability status interface that provides information on the number of tags available to assign to Non-Posted requests, so that the client can schedule requests without the risk of being blocked by all tags being in use within the PCIe controller.

Finally, the Integrated Block also has a received-message interface which optionally provides indications to the user logic when a message is received from the link, rather than transferring the entire message to the client over the CQ interface.

Table 3-1: Data Width and Clock Frequency Settings for the Client Interfaces

PCI Express Generation/ Maximum Link Speed	Maximum Link Width Capability	AXI4-Stream Interface Width	User Clock Frequency (MHz)
Gen1 (2.5 GT/s)	x1	64 bits	62.5
		64 bits	125
		64 bits	250
	x2	64 bits	62.5
		64 bits	125
		64 bits	250
	x4	64 bits	125
		64 bits	250
	x8	64 bits	250
		128 bits	125

Table 3-1: Data Width and Clock Frequency Settings for the Client Interfaces (Cont'd)

PCI Express Generation/ Maximum Link Speed	Maximum Link Width Capability	AXI4-Stream Interface Width	User Clock Frequency (MHz)
Gen2 (5.0 GT/s)	x1	64 bits	62.5
		64 bits	125
		64 bits	250
	x2	64 bits	125
		64 bits	250
	x4	64 bits	250
		128 bits	125
	x8	128 bits	250
256 bits		125	
Gen3 (8.0 GT/s)	x1	64 bits	125
		64 bits	250
	x2	64 bits	250
		128 bits	125
	x4	128 bits	250
		256 bits	125
	x8	256 bits	250

Data Alignment Options

A transaction layer packet (TLP) is transferred on each of the AXI4-Stream interfaces as a descriptor followed by payload data (when the TLP has a payload). The descriptor has a fixed size of 16 bytes on the request interfaces and 12 bytes on the completion interfaces. On its transmit side (towards the link), the Integrated Block assembles the TLP header from the parameters supplied by the client application in the descriptor. On its receive side (towards the client), the Integrated Block extracts parameters from the headers of received TLP and constructs the descriptors for delivering to the client application. Each TLP is transferred as a packet, as defined in the AXI4-Stream Interface Protocol.

When a payload is present, there are two options for aligning the first byte of the payload with respect to the datapath.

1. Dword-aligned mode: In this mode, the descriptor bytes are followed immediately by the payload bytes in the next Dword position, whenever a payload is present.
2. Address-Aligned Mode: In this mode, the payload can begin at any byte position on the datapath. For data transferred from the Integrated Block to the client, the position of the first byte is determined as:

$$n = A \text{ mod } w$$

where A is the memory or I/O address specified in the descriptor (for message and configuration requests, the address is taken as 0), and w is the configured width of the data bus in bytes. Any gap between the end of the descriptor and the start of the first byte of the payload is filled with null bytes.

For data transferred from the Integrated Block to the client application, the data alignment is determined based on the starting address where the data block is destined to in client memory. For data transferred from the client application to the Integrated Block, the client must explicitly communicate the position of the first byte to the Integrated Block using the tuser sideband signals when the address-aligned mode is in use.

In the address-aligned mode, the payload and descriptor are not allowed to overlap. That is, the transmitter begins a new beat to start the transfer of the payload after it has transmitted the descriptor. The transmitter fills any gaps between the last byte of the descriptor and the first byte of the payload with null bytes.

The Vivado Design Suite IP customization GUI applies the data alignment option globally to all four interfaces. However, advanced users can select the alignment mode independently for each of the four AXI4-Stream interfaces. This is done by setting the corresponding alignment mode parameter, with the constraint that the Requester Completion (RC) interface can be set to the address-aligned mode. See [Interface Operation, page 85](#) for more details on address alignment and example diagrams.

Straddle Option on Requester Completion Interface

When the Requester Completion (RC) interface is configured for a width of 256 bits, depending on type of TLP and Payload size, there can be significant interface utilization inefficiencies, if a maximum of 1 TLP is allowed to start or end per interface beat. This inefficient use of RC interface can lead to overflow of the completion FIFO when Infinite Receiver Credits are advertized. The user must either:

- a) Restrict the number of outstanding Non Posted requests, so as to keep the total number of completions received less than 64 and within the completion of the FIFO size selected, or
- b) Use the RC interface straddle option. See [Figure 3-59](#) for waveforms showing this option.

The straddle option, available only on the 256-bit wide RC interface, is enabled through the Vivado Design Suite IP customization GUI. See [Interface Settings, page 264](#) for instructions on enabling the option in the GUI. When this option is enabled, the Integrated Block can start a new Completion TLP on byte lane 16 when the previous TLP has ended at or before byte lane 15 in the same beat. Thus, with this option enabled, it is possible for the Integrated Block to send two Completion TLPs entirely in the same beat on the RC interface, if neither of them has more than one Dword of payload.

The straddle setting is only available when the interface width is set to 256 bits and the RC interface is set to Dword-aligned mode.

Table 3-2 lists the valid combinations of interface width, addressing mode, and the straddle option.

Table 3-2: Valid Combinations of Interface Width, Alignment Mode, and Straddle

Interface Width	Alignment Mode	Straddle Option	Description
64 bits	Dword-aligned	Not applicable	64-bit, Dword-aligned
64 bits	Address-aligned	Not applicable	64-bit, Address-aligned
128 bits	Dword-aligned	Not applicable	128-bit, Dword-aligned
128 bits	Address-aligned	Not applicable	128-bit, Address-aligned
256 bits	Dword-aligned	Disabled	256-bit, Dword-aligned, straddle disabled
256 bits	Dword-aligned	Enabled	256-bit, Dword-aligned, straddle enabled (only allowed for the Requester Completion interface)
256 bits	Address-aligned	Not applicable	256-bit, Address-aligned

Receive Transaction Ordering

The core contains logic on its receive side to ensure that TLPs received from the link and delivered on its completer request interface and requester completion interface do not violate the PCI Express transaction ordering constraints. The ordering actions performed by the Integrated Block are based on the following key rules:

- Posted requests must be able to pass Non-Posted requests on the Completer reQuest (CQ) interface. To enable this capability, the Integrated Block implements a flow control mechanism on the CQ interface through which client logic can control the flow of Non-Posted requests without affecting Posted requests. The client logic signals the availability of a buffer to receive a Non-Posted request by asserting the `pcie_cq_np_req` signal.

The Integrated Block delivers a Non-Posted request to the client only when the available credit is non-zero. The Integrated Block continues to deliver Posted requests while the delivery of Non-Posted requests has been paused for lack of credit. When no backpressure is applied by the credit mechanism for the delivery of Non-Posted requests, the Integrated Block delivers Posted and Non-Posted requests in the same order as received from the link. For more information on controlling the flow of Non-Posted requests, see [Selective Flow Control for Non-Posted Requests, page 103](#).

- PCIe ordering requires that a completion TLP not be allowed to pass a Posted request, except in the following cases:
 - Completions with the Relaxed Ordering attribute bit set can pass Posted requests
 - Completions with the ID-based ordering bit set can pass a Posted request if the completion's Completer ID is different from the Posted request's Requestor ID.

The Integrated Block does not start the transfer of a Completion TLP received from the link on the Requester Completion (RC) interface until it has completely transferred all Posted TLPs that arrived before it, unless one of the two rules applies.

After a TLP has been transferred completely to the client side, it is the responsibility of the client application to enforce ordering constraints whenever needed.

Transmit Transaction Ordering

On the transmit side, the Integrated Block receives TLPs from the user on two different interfaces: the Requester reQuest (RQ) interface and the Completer Completion (CC) interface. The Integrated Block does not re-order transactions received from each of these interfaces. It is difficult to predict how the requester-side requests and completer-side completions are ordered in the transmit pipeline of the Integrated Block, after these have been multiplexed into a single traffic stream. In cases where completion TLPs must maintain ordering with respect to requests, client logic can supply a 4-bit sequence number with any request that needs to maintain strict ordering with respect to a Completion transmitted from the CC interface, on the `seq_num[3:0]` inputs within the `s_axis_rq_tuser` bus. The Integrated Block places this sequence number on its `pcie_rq_seq_num[3:0]` output and asserts `pcie_rq_seq_num_vld` when the request TLP has reached a point in the transmit pipeline at which no new completion TLP from the client can pass it. This mechanism can be used in the following situations to maintain TLP order:

- The client logic requires ordering to be maintained between a request TLP and a completion TLP that follows it. In this case, client logic must wait for the sequence number of the requester request to appear on the `pcie_rq_seq_num[3:0]` output before starting the transfer of the completion TLP on the target completion interface.
- The client logic requires ordering to be maintained between a request TLP and MSI/MSI-X TLP signaled through the MSI Message interface. In this case, the client logic must wait for the sequence number of the requester request to appear on the `pcie_rq_seq_num[3:0]` output before signaling MSI or MSI-X on the MSI Message interface.

Clocking Requirements

All client interface signals of the core are timed with respect to the user clock (`user_clk`), which can have a frequency of 62.5, 125, or 250 MHz, depending on the link speed and link width configured (see [Table 3-1](#)).

Interface Operation

This section describes the operation of the client-side interfaces of the core.

Completer Interface

This interface maps the transactions (memory, I/O read/write, messages, Atomic Operations) received from the PCIe link into transactions on the Completer reQuest (CQ) interface based on the AXI4-Stream protocol. The completer interface consists of two separate interfaces, one for data transfers in each direction. Each interface is based on the AXI4-Stream protocol, and its width can be configured as 64, 128, or 256 bits. The CQ interface is for transfer of requests (with any associated payload data) to the client application, and the Completer Completion (CC) interface is for transferring the Completion data (for a Non-Posted request) from the client application for forwarding on the link. The two interfaces operate independently. That is, the Integrated Block can transfer new requests over the CQ interface while receiving a Completion for a previous request.

Completer Request Descriptor Formats

The Integrated Block transfers each request TLP received from the link over the CQ interface as an independent AXI4-Stream packet. Each packet starts with a descriptor and can have payload data following the descriptor. The descriptor is always 16 bytes long, and is sent in the first 16 bytes of the request packet. The descriptor is transferred during the first two beats on a 64-bit interface, and in the first beat on a 128-bit or 256-bit interface.

The formats of the descriptor for different request types are illustrated in [Figure 3-6](#), [Figure 3-7](#), [Figure 3-8](#), and [Figure 3-9](#). The format of [Figure 3-6](#) applies when the request TLP being transferred is a memory read/write request, an I/O read/write request, or an Atomic Operation request. The format of [Figure 3-7](#) is used for Vendor-Defined Messages (Type 0 or Type 1) only. The format of [Figure 3-8](#) is used for all ATS messages (Invalid Request, Invalid Completion, Page Request, PRG Response). For all other messages, the descriptor takes the format of [Figure 3-9](#).

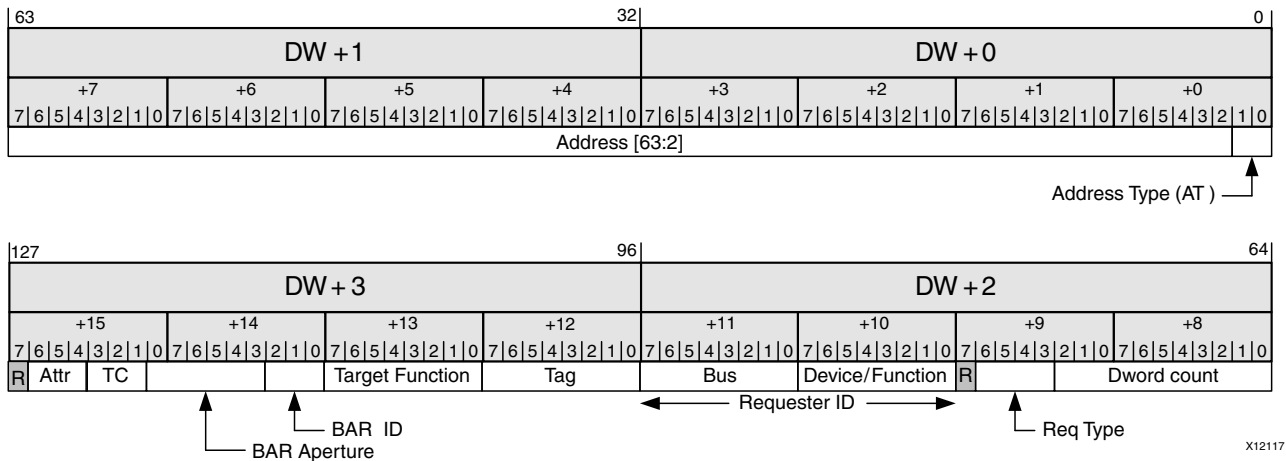


Figure 3-6: Completer Request Descriptor Format for Memory, I/O, and Atomic Op Requests

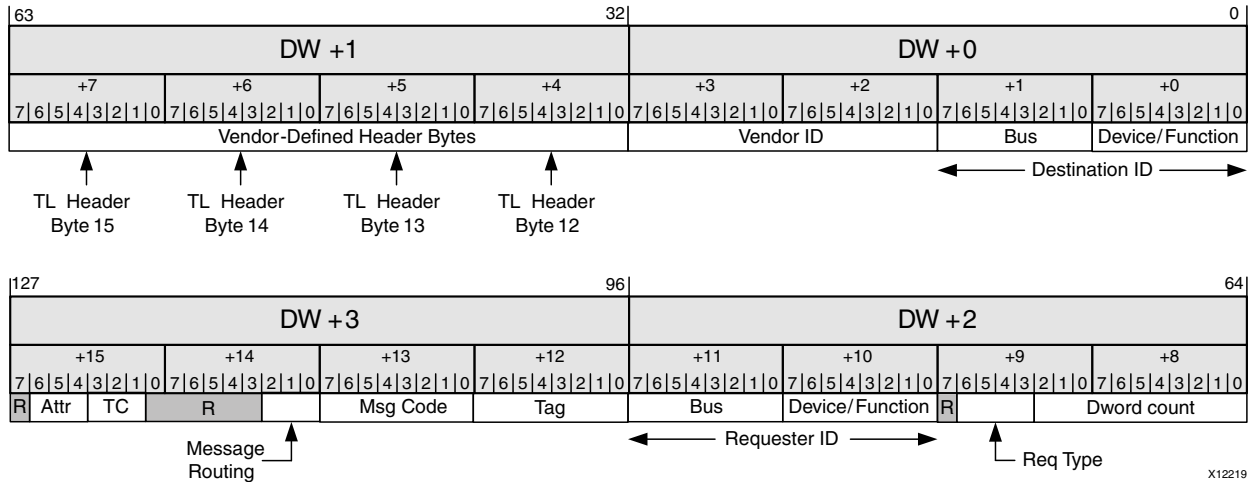


Figure 3-7: Completer Request Descriptor Format for Vendor-Defined Messages

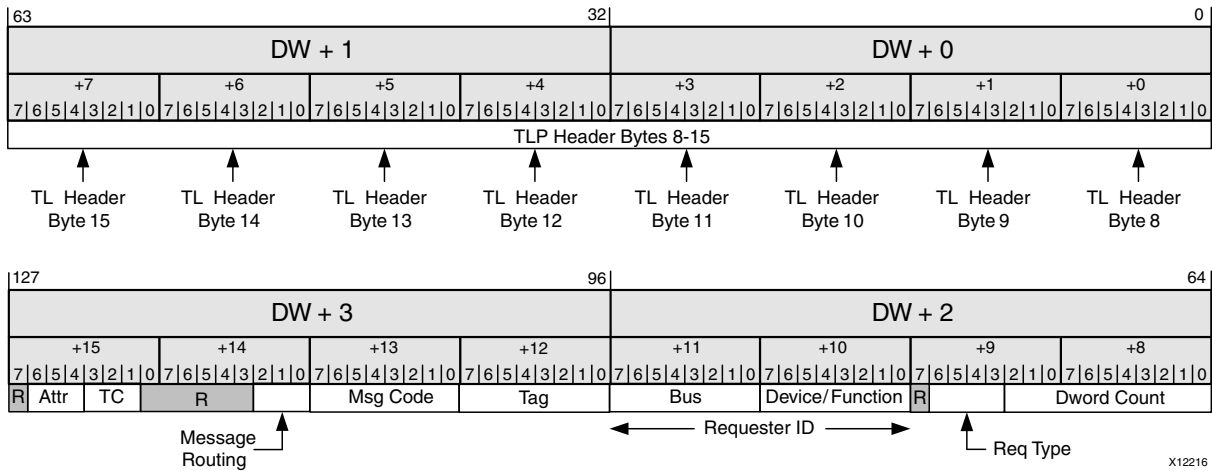


Figure 3-8: Completer Request Descriptor Format for ATS Messages

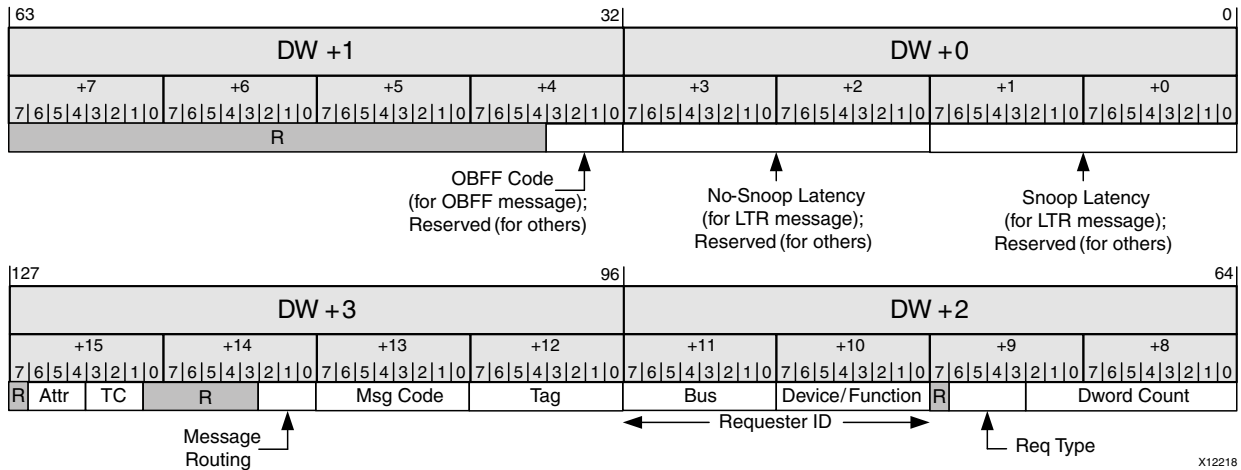


Figure 3-9: Completer Request Descriptor Format for All Other Messages

Table 3-3 describes the individual fields of the completer request descriptor.

Table 3-3: Completer Request Descriptor Fields

Bit Index	Field Name	Description
1:0	Address Type	This field is defined for memory transactions and Atomic Operations only. It contains the AT bits extracted from the TL header of the request. 00: Address in the request is untranslated 01: Transaction is a Translation Request 10: Address in the request is a translated address 11: Reserved

Table 3-3: Completer Request Descriptor Fields (Cont'd)

Bit Index	Field Name	Description
63:2	Address	<p>This field applies to memory, I/O, and Atomic Op requests. It provides the address from the TLP header. This is the address of the first Dword referenced by the request. The <code>First_BE</code> bits from <code>m_axis_cq_tuser</code> must be used to determine the byte-level address.</p> <p>When the transaction specifies a 32-bit address, bits [63:32] of this field are 0.</p>
74:64	Dword Count	<p>These 11 bits indicate the size of the block (in Dwords) to be read or written (for messages, size of the message payload). Its range is 0 - 256 Dwords. For I/O accesses, the Dword count is always 1.</p> <p>For a zero length memory read/write request, the Dword count is 1, with the <code>First_BE</code> bits set to all 0s.</p>
78:75	Request Type	<p>Identifies the transaction type. The transaction types and their encodings are listed in Table 3-4.</p>
95:80	Requester ID	<p>PCI Requester ID associated with the request. With legacy interpretation of RIDs, these 16 bits are divided into an 8-bit bus number [95:88], 5-bit device number [87:83], and 3-bit Function number [82:80]. When ARI is enabled, bits [95:88] carry the 8-bit bus number and [87:80] provide the Function number.</p> <p>When the request is a Non-Posted transaction, the client completer application must store this field and supply it back to the Integrated Block with the completion data.</p>
103:96	Tag	<p>PCIe Tag associated with the request. When the request is a Non-Posted transaction, the client logic must store this field and supply it back to the Integrated Block with the completion data. This field can be ignored for memory writes and messages.</p>
111:104	Target Function	<p>This field is defined for memory, I/O, and Atomic Op requests only. It provides the Function number the request is targeted at, determined by the BAR check. When ARI is in use, all 8 bits of this field are valid. Otherwise, only bits [106:104] are valid. Following are Target Function Value to PF/VF map mappings:</p> <ul style="list-style-type: none"> • 0: PF0 • 1: PF1 • 64: VF0 • 65: VF1 • 66: VF2 • 67: VF3 • 68: VF4 • 69: VF5

Table 3-3: Completer Request Descriptor Fields (Cont'd)

Bit Index	Field Name	Description
114:112	BAR ID	<p>This field is defined for memory, I/O, and Atomic Op requests only. It provides the matching BAR number for the address in the request.</p> <ul style="list-style-type: none"> • 000: BAR 0 (VF-BAR 0 for VFs) • 001: BAR 1 (VF-BAR 1 for VFs) • 010: BAR 2 (VF-BAR 2 for VFs) • 011: BAR 3 (VF-BAR 3 for VFs) • 100: BAR 4 (VF-BAR 4 for VFs) • 101: BAR 5 (VF-BAR 5 for VFs) • 110: Expansion ROM Access <p>For 64-bit transactions, the BAR number is given as the lower address of the matching pair of BARs (that is, 0, 2, or 4).</p>
120:115	BAR Aperture	<p>This 6-bit field is defined for memory, I/O, and Atomic Op requests only. It provides the aperture setting of the BAR matching the request. This information is useful in determining the bits to be used by the client in addressing its memory or I/O space. For example, a value of 12 indicates that the aperture of the matching BAR is 4K, and the client can therefore ignore bits [63:12] of the address.</p> <p>For VF BARs, the value provided on this output is based on the memory space consumed by a single VF covered by the BAR.</p>
123:121	Transaction Class (TC)	<p>PCIe Transaction Class (TC) associated with the request. When the request is a Non-Posted transaction, the client completer application must store this field and supply it back to the Integrated Block with the completion data.</p>
126:124	Attributes	<p>These bits provide the setting of the Attribute bits associated with the request. Bit 124 is the No Snoop bit and bit 125 is the Relaxed Ordering bit. Bit 126 is the ID-Based Ordering bit, and can be set only for memory requests and messages.</p> <p>When the request is a Non-Posted transaction, the client completer application must store this field and supply it back to the Integrated Block with the completion data.</p>
15:0	Snoop Latency	<p>This field is defined for LTR messages only. It provides the value of the 16-bit Snoop Latency field in the TLP header of the message.</p>
31:16	No-Snoop Latency	<p>This field is defined for LTR messages only. It provides the value of the 16-bit No-Snoop Latency field in the TLP header of the message.</p>
35:32	OBFF Code	<p>This field is defined for OBFF messages only. The OBFF Code field is used to distinguish between various OBFF cases:</p> <ul style="list-style-type: none"> • 1111b: "CPU Active" – System fully active for all device actions including bus mastering and interrupts • 0001b: "OBFF" – System memory path available for device memory read/write bus master activities • 0000b: "Idle" – System in an idle, low power state <p>All other codes are reserved.</p>

Table 3-3: Completer Request Descriptor Fields (Cont'd)

Bit Index	Field Name	Description
111:104	Message Code	This field is defined for all messages. It contains the 8-bit Message Code extracted from the TLP header. Appendix F of the <i>PCI Express Base Specification, rev. 3.0</i> [Ref 2] provides a complete list of the supported Message Codes.
114:112	Message Routing	This field is defined for all messages. These bits provide the 3-bit Routing field r[2:0] from the TLP header.
15:0	Destination ID	This field applies to Vendor-Defined Messages only. When the message is routed by ID (that is, when the Message Routing field is 010 binary), this field provides the Destination ID of the message.
63:32	Vendor-Defined Header	This field applies to Vendor-Defined Messages only. It contains the bytes extracted from Dword 3 of the TLP header.
63:0	ATS Header	This field is applicable to ATS messages only. It contains the bytes extracted from Dwords 2 and 3 of the TLP header.

Table 3-4: Transaction Types

Request Type (binary)	Description
0000	Memory Read Request
0001	Memory Write Request
0010	I/O Read Request
0011	I/O Write Request
0100	Memory Fetch and Add Request
0101	Memory Unconditional Swap Request
0110	Memory Compare and Swap Request
0111	Locked Read Request (allowed only in Legacy Devices)
1000	Type 0 Configuration Read Request (on Requester side only)
1001	Type 1 Configuration Read Request (on Requester side only)
1010	Type 0 Configuration Write Request (on Requester side only)
1011	Type 1 Configuration Write Request (on Requester side only)
1100	Any message, except ATS and Vendor-Defined Messages
1101	Vendor-Defined Message
1110	ATS Message
1111	Reserved

Completer Request Interface Operation

Figure 3-10 illustrates the signals associated with the completer request interface of the core. The core delivers each TLP on this interface as an AXI4-Stream packet. The packet starts with a 128-bit descriptor, followed by data in the case of TLPs with a payload.

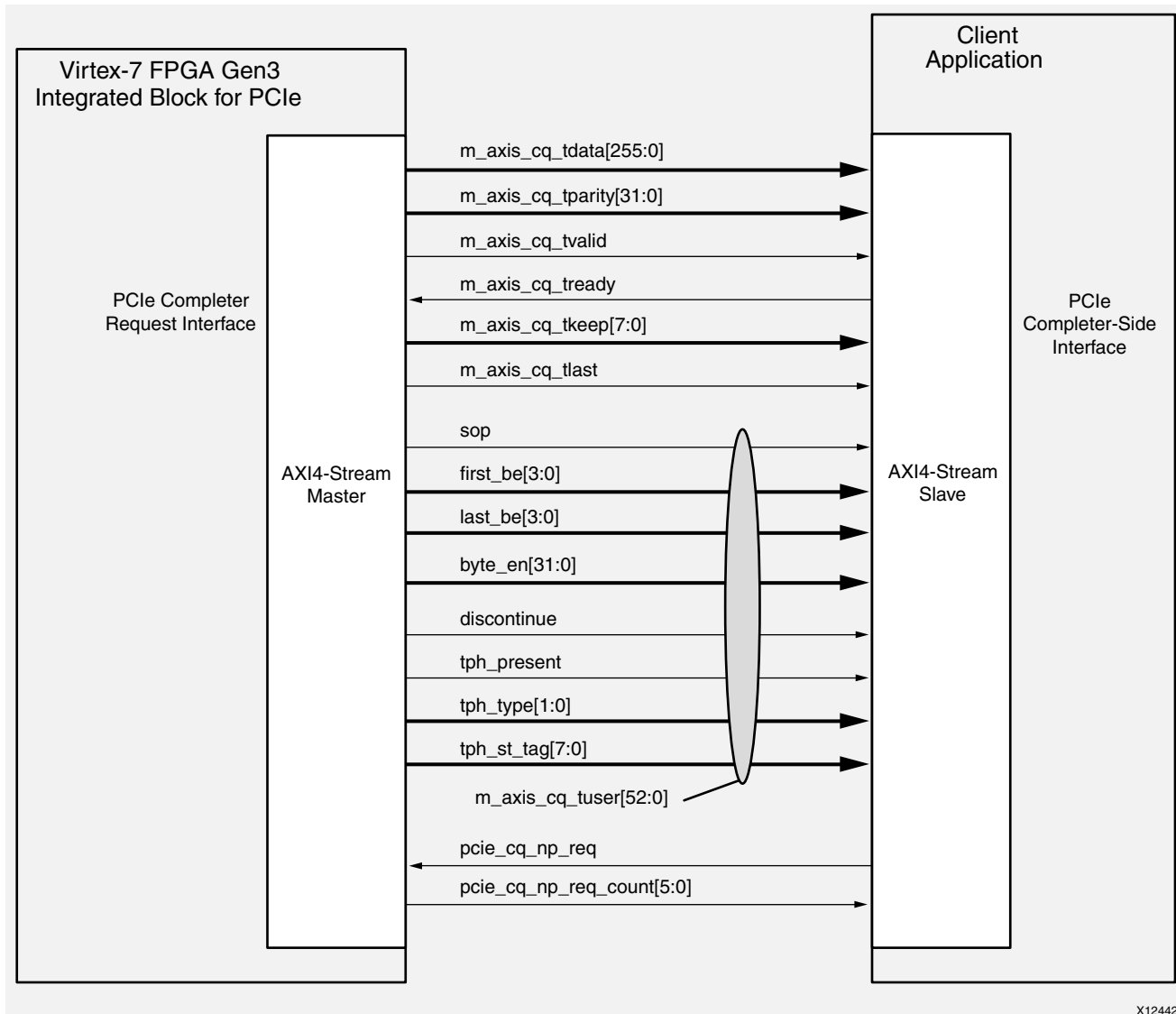


Figure 3-10: Completer Request Interface Signals

The completer request interface supports two distinct data alignment modes, selected by the attribute `AXISTEN_IF_CQ_ALIGNMENT_MODE`. In the Dword-aligned mode, the first byte of valid data appears in lane $n = (16 + A \text{ mod } 4) \text{ mod } w$, where:

- A is the byte-level starting address of the data block being transferred
- w is the width of the interface in bytes

In the address-aligned mode, the data always starts in a new beat after the descriptor has ended, and its first valid byte is on lane $n = A \bmod w$, where w is the width of the interface in bytes. For memory, I/O, and Atomic Operation requests, address A is the address contained in the request. For messages, the address is always taken as 0 for the purpose of determining the alignment of its payload.

Completer Memory Write Operation

The timing diagrams in [Figure 3-11](#), [Figure 3-12](#), and [Figure 3-13](#) illustrate the Dword-aligned transfer of a memory write TLP received from the link across the Completer reQuest (CQ) interface, when the interface width is configured as 64, 128, and 256 bits, respectively. For illustration purposes, the starting Dword address of the data block being written into client memory is assumed to be $(m * 32 + 1)$, for an integer $m > 0$. Its size is assumed to be n Dwords, for some $n = k * 32 + 29$, $k > 0$.

In both Dword-aligned and address-aligned modes, the transfer starts with the 16 descriptor bytes, followed immediately by the payload bytes. The `m_axis_cq_tvalid` signal remains asserted over the duration of the packet. The client can prolong a beat at any time by deasserting `m_axis_cq_tready`. The AXI4-Stream interface signals `m_axis_cq_tkeep` (one per Dword position) indicate the valid Dwords in the packet including the descriptor and any null bytes inserted between the descriptor and the payload. That is, the `tkeep` bits are set to 1 contiguously from the first Dword of the descriptor until the last Dword of the payload. During the transfer of a packet, the `tkeep` bits can be 0 only in the last beat of the packet, when the packet does not fill the entire width of the interface. The `m_axis_cq_tlast` signal is always asserted in the last beat of the packet.

The CQ interface also includes the First Byte Enable and the Last Enable bits in the `m_axis_cq_tuser` bus. These are valid in the first beat of the packet, and specify the valid bytes of the first and last Dwords of payload.

The `m_axi_cq_tuser` bus also provides several informational signals that can be used to simplify the logic associated with the client side of the interface, or to support additional features. The `sop` signal is asserted in the first beat of every packet, when its descriptor is on the bus. The byte enable outputs `byte_en[31:0]` (one per byte lane) indicate the valid bytes in the payload. The bits of `byte_en` are asserted only when a valid payload byte is in the corresponding lane (that is, not asserted for descriptor or padding bytes between the descriptor and payload). The asserted byte enable bits are always contiguous from the start of the payload, except when the payload size is two Dwords or less. For cases of one-Dword and two-Dword writes, the byte enables can be non-contiguous. Another special case is that of a zero-length memory write, when the Integrated Block transfers a one-Dword payload with all `byte_en` bits set to 0. Thus, the client logic can, in all cases, use the `byte_en` signals directly to enable the writing of the associated bytes into memory.

In the Dword-aligned mode, there can be a gap of zero, one, two, or three byte positions between the end of the descriptor and the first payload byte, based on the address of the first valid byte of the payload. The actual position of the first valid byte in the payload can

be determined either from `first_be[3:0]` or `byte_en[31:0]` in the `m_axis_cq_tuser` bus.

When a Transaction Processing Hint is present in the received TLP, the Integrated Block transfers the parameters associated with the hint (TPH Steering Tag and Steering Tag Type) on signals within the `m_axis_cq_tuser` bus.

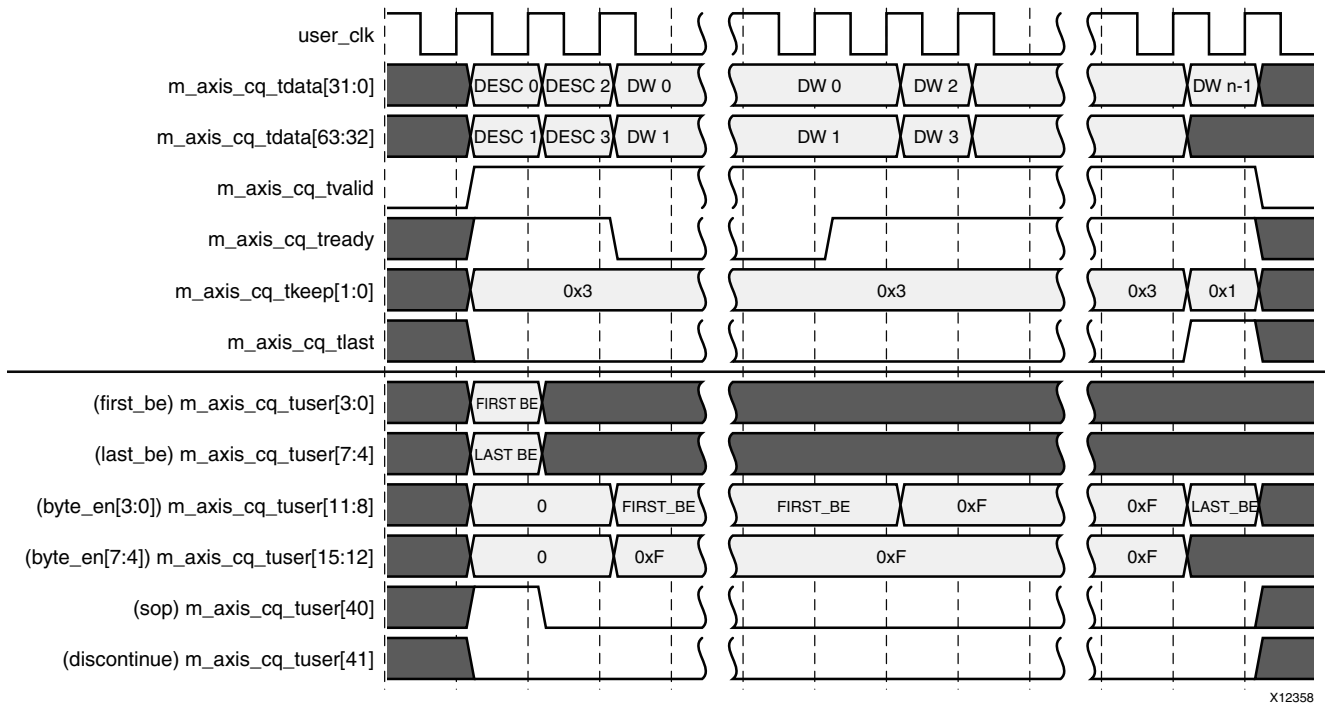


Figure 3-11: Memory Write Transaction on the Completer Request Interface (Dword-Aligned Mode, Interface Width = 64 Bits)

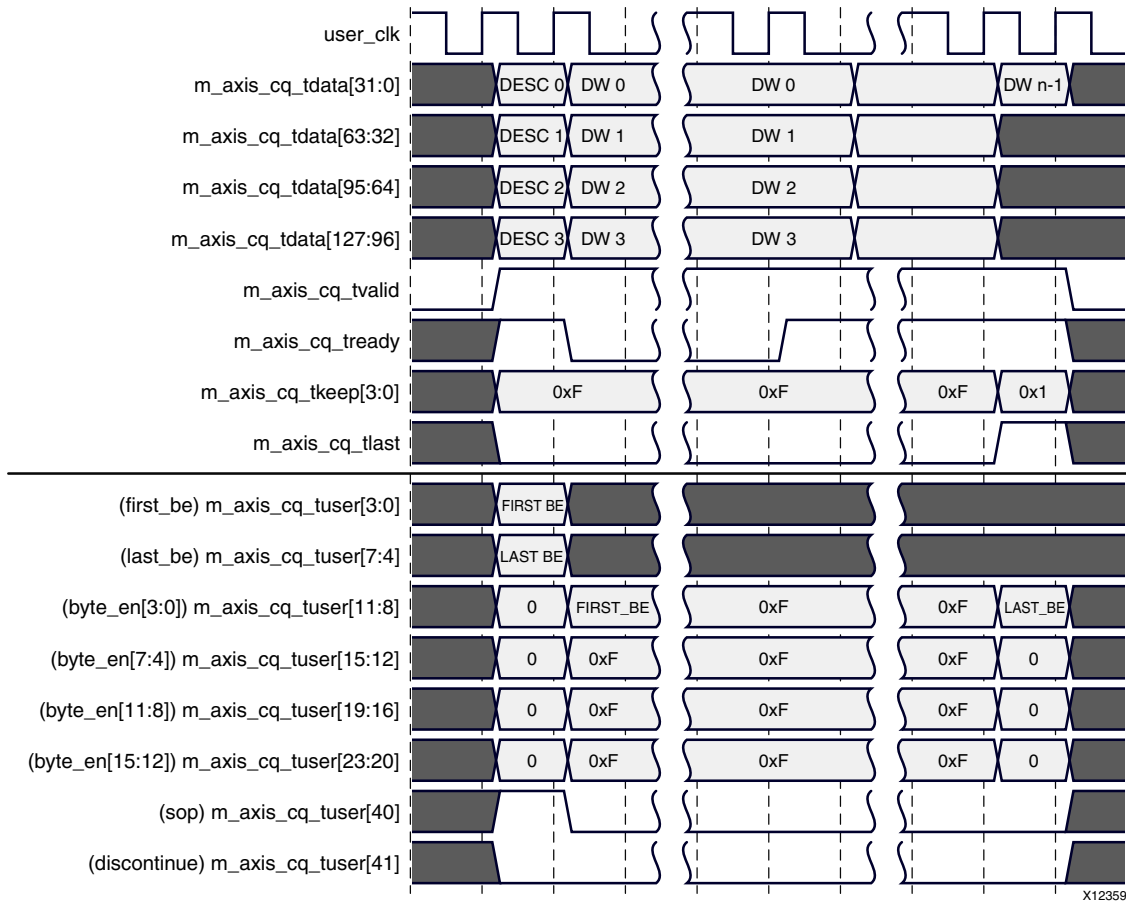


Figure 3-12: Memory Write Transaction on the Completer Request Interface (Dword-Aligned Mode, Interface Width = 128 Bits)

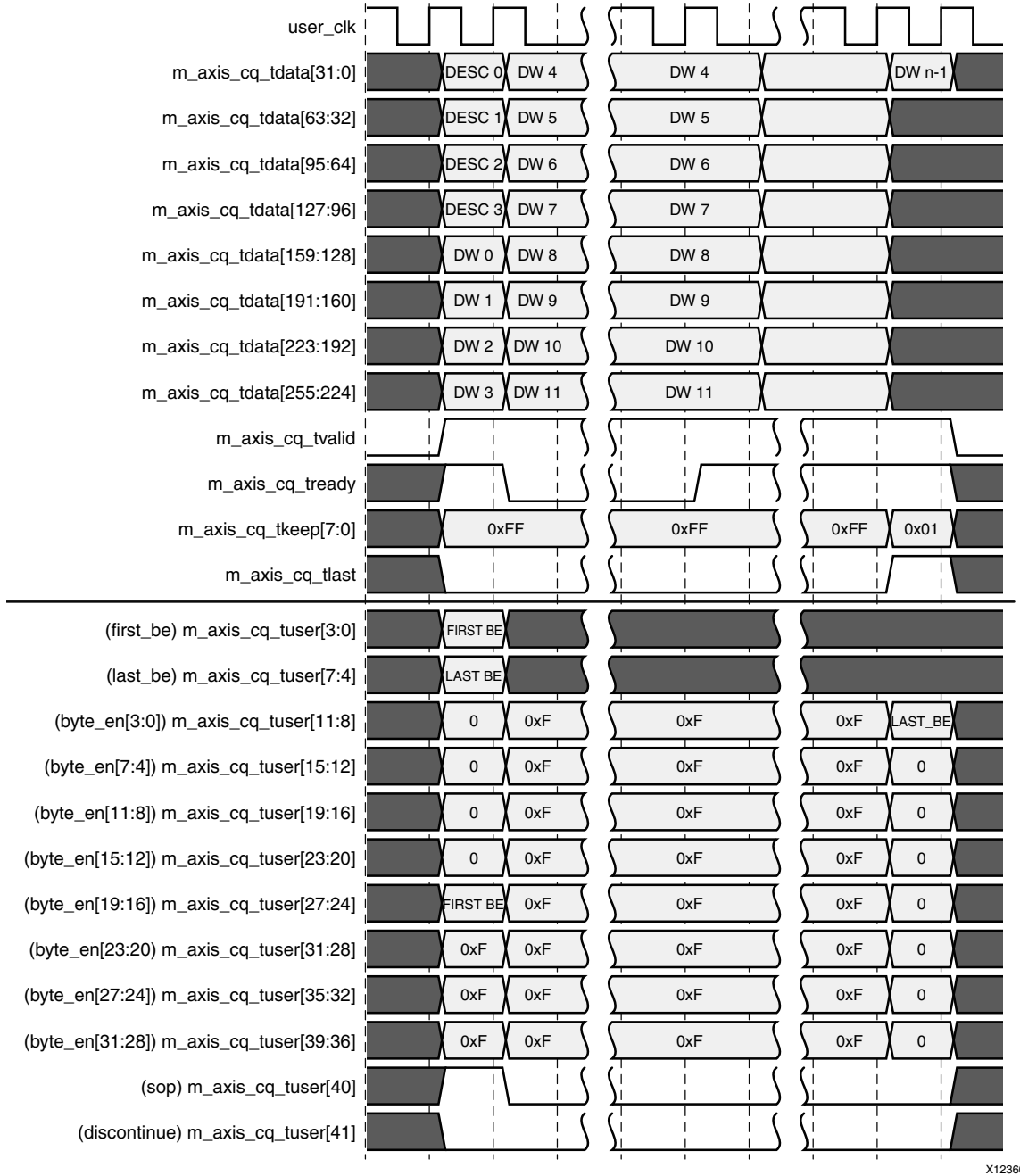


Figure 3-13: Memory Write Transaction on the Completer Request Interface (Dword-Aligned Mode, Interface Width = 256 Bits)

The timing diagrams in Figure 3-14, Figure 3-15, and Figure 3-16 illustrate the address-aligned transfer of a memory write TLP received from the link across the CQ interface, when the interface width is configured as 64, 128 and 256 bits, respectively. For the purpose of illustration, the starting Dword address of the data block being written into client memory is assumed to be $(m * 32 + 1)$, for an integer $m > 0$. Its size is assumed to be n Dwords, for some $n = k * 32 + 29$, $k > 0$.

In the address-aligned mode, the delivery of the payload always starts in the beat following the last byte of the descriptor. The first byte of the payload can appear on any byte lane, based on the address of the first valid byte of the payload. The keep outputs `m_axis_cq_tkeep` remain High in the gap between the descriptor and the payload. The actual position of the first valid byte in the payload can be determined either from the least significant bits of the address in the descriptor or from the byte enable bits `byte_en[31:0]` in the `m_axis_cq_tuser` bus.

For writes of two Dwords or less, the 1s on `byte_en` cannot be contiguous from the start of the payload. In the case of a zero-length memory write, the Integrated Block transfers a one-Dword payload with the `byte_en` bits all set to 0 for the payload bytes.

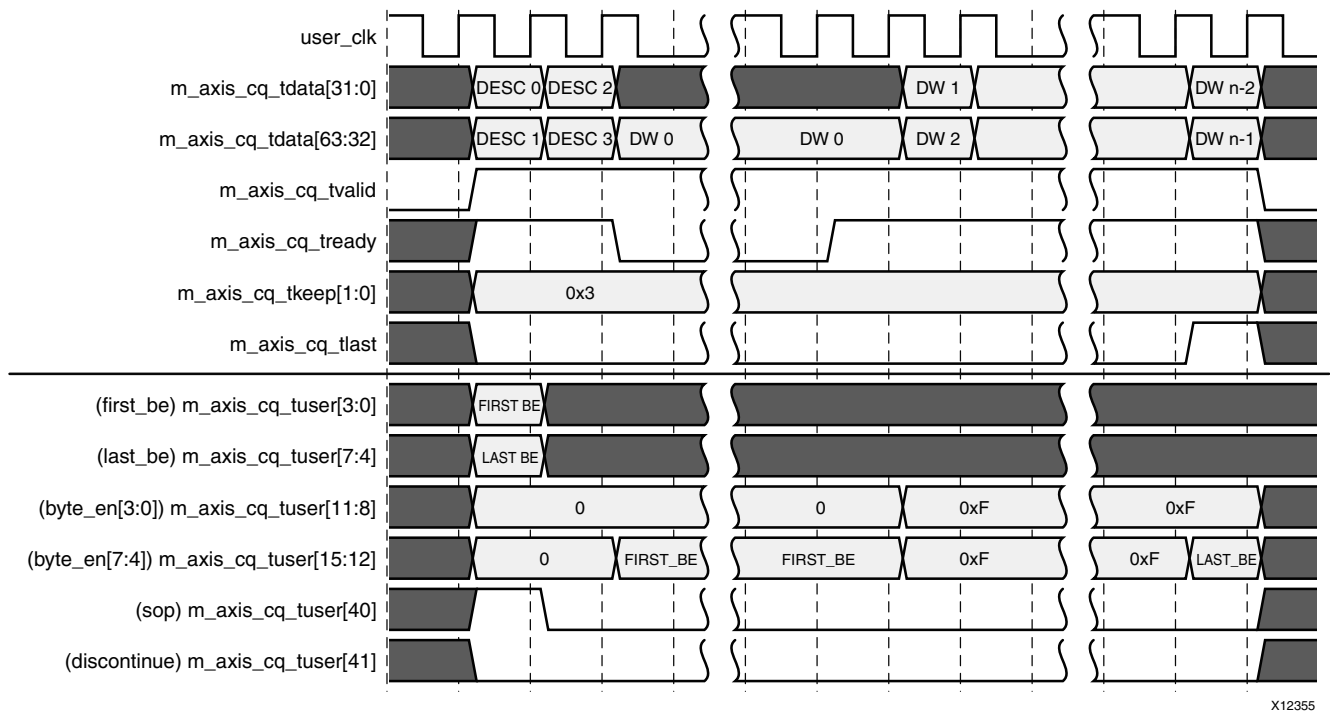


Figure 3-14: Memory Write Transaction on the Completer Request Interface (Address-Aligned Mode, Interface Width = 64 Bits)

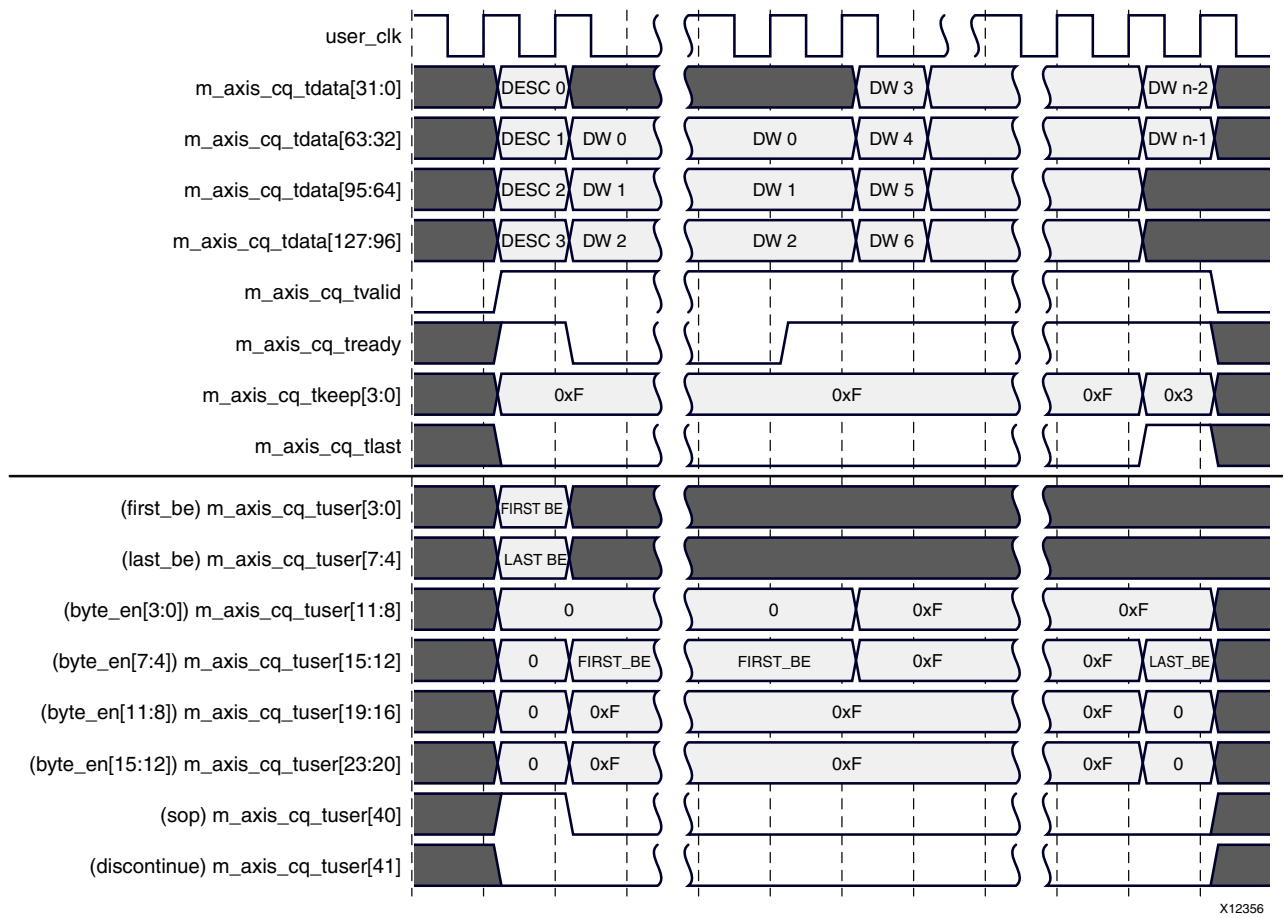
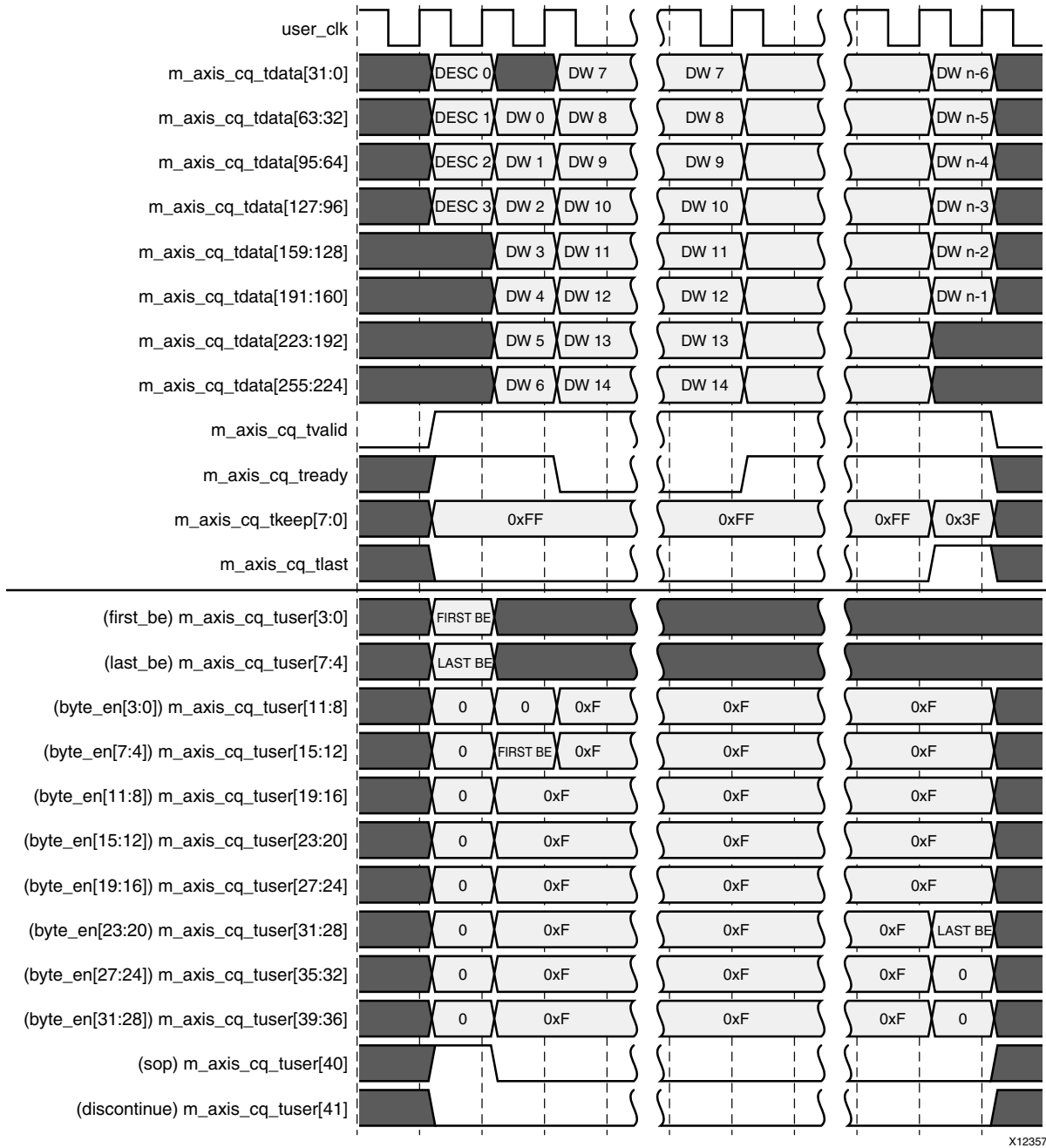


Figure 3-15: Memory Write Transaction on the Completer Request Interface (Address-Aligned Mode, Interface Width = 128 Bits)



X12357

Figure 3-16: Memory Write Transaction on the Completer Request Interface (Address-Aligned Mode, Interface Width = 256 Bits)

Completer Memory Read Operation

A memory read request is transferred across the completer request interface in the same manner as a memory write request, except that the AXI4-Stream packet contains only the 16-byte descriptor. The timing diagrams in Figure 3-17, Figure 3-18, and Figure 3-19 illustrate the transfer of a memory read TLP received from the link across the completer request interface, when the interface width is configured as 64, 128, and 256 bits,

respectively. The packet occupies two consecutive beats on the 64-bit interface, while it is transferred in a single beat on the 128- and 256-bit interfaces. The `m_axis_cq_tvalid` signal remains asserted over the duration of the packet. The client can prolong a beat at any time by deasserting `m_axis_cq_tready`. The `sop` signal in the `m_axis_cq_tuser` bus is asserted when the first descriptor byte is on the bus.

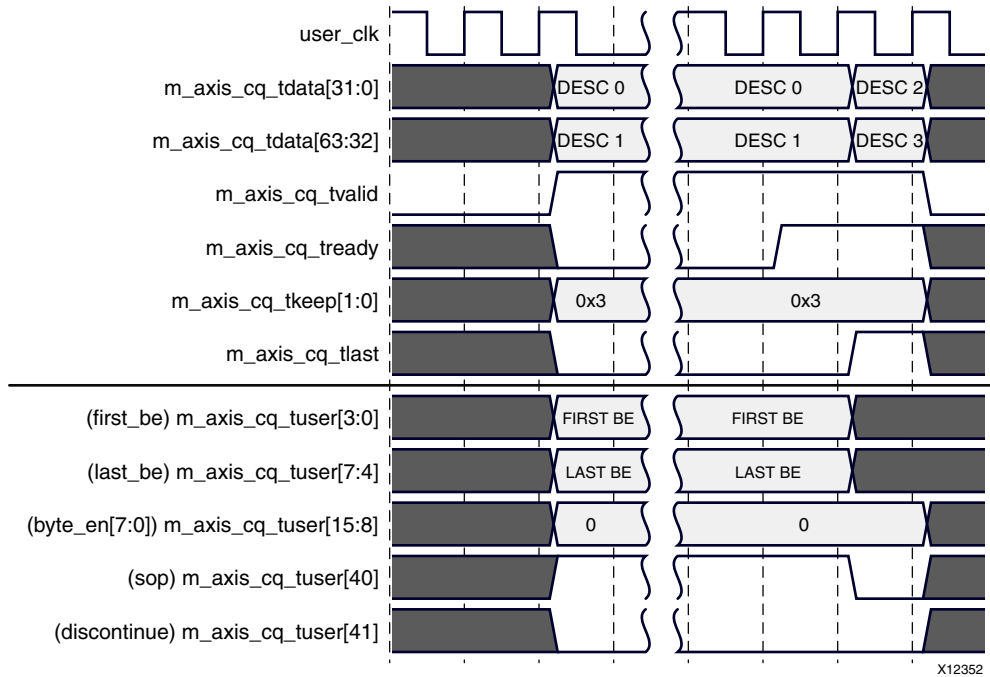


Figure 3-17: Memory Read Transaction on the Completer Request Interface (Interface Width = 64 Bits)

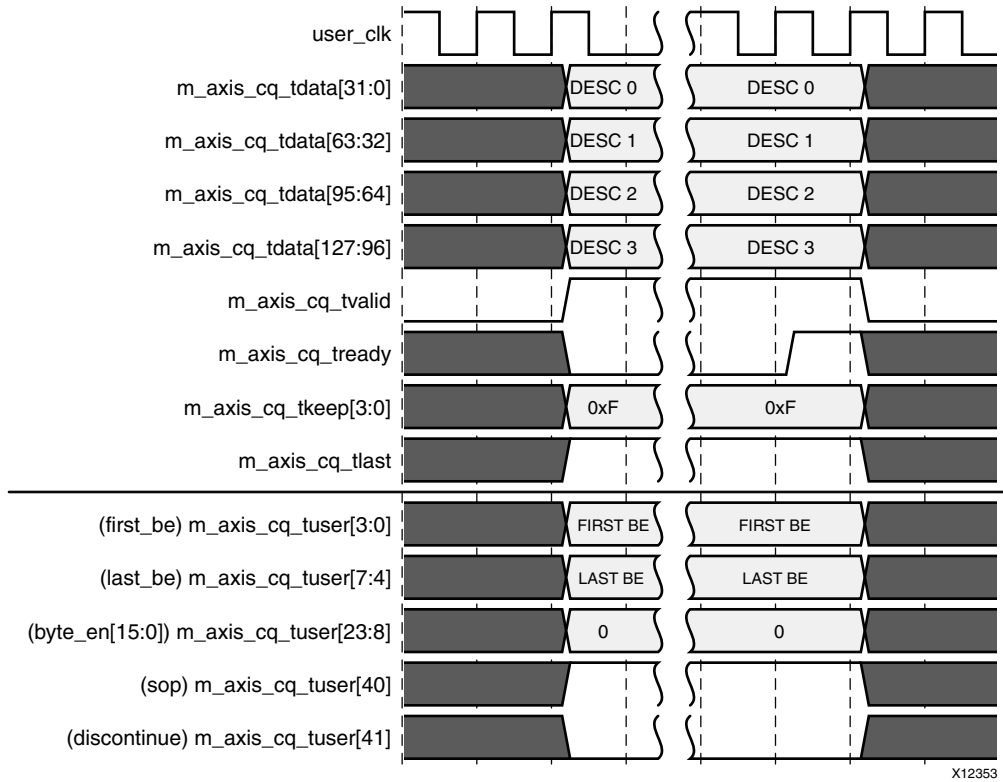


Figure 3-18: Memory Read Transaction on the Completer Request Interface (Interface Width = 128 Bits)

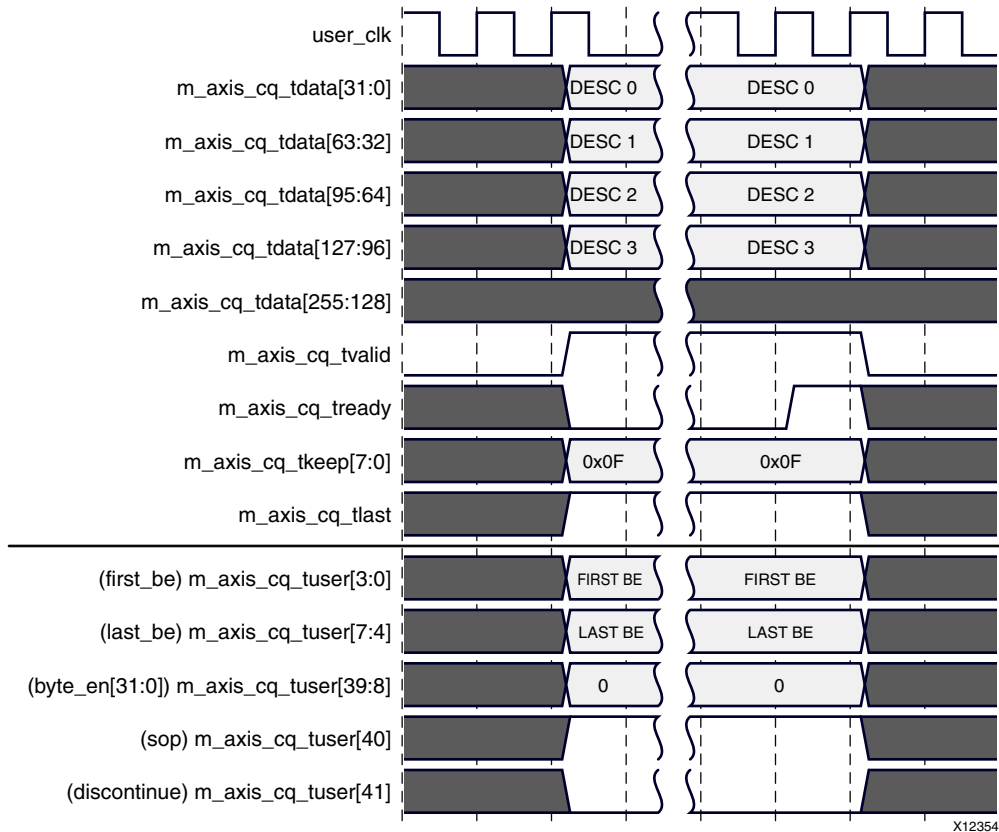


Figure 3-19: Memory Read Transaction on the Completer Request Interface (Interface Width = 256 Bits)

The byte enable bits associated with the read request for the first and last Dwords are supplied by the Integrated Block on the `m_axis_cq_tuser` sideband bus. These bits are valid when the first descriptor byte is being transferred, and must be used by the client to determine the byte-level starting address and the byte count associated with the request. For the special cases of one-Dword and two-Dword reads, the byte enables can be non-contiguous. The byte enables are contiguous in all other cases. A zero-length memory read is sent on the CQ interface with the Dword count field in the descriptor set to 1 and the first and last byte enables set to 0.

The client must respond to each memory read request with a Completion. The data requested by the read can be sent as a single Completion or multiple Split Completions. These Completions must be sent via the Completer Completion (CC) interface of the Integrated Block. The Completions for two distinct requests can be sent in any order, but the Split Completions for the same request must be in order. The operation of the CC interface is described in [Completer Completion Interface Operation, page 104](#).

I/O Write Operation

The transfer of an I/O write request on the CQ interface is similar to that of a memory write request with a one-Dword payload. The transfer starts with the 128-bit descriptor, followed by the one-Dword payload. When the Dword-aligned mode is in use, the payload Dword

immediately follows the descriptor. When the address-alignment mode is in use, the payload Dword is supplied in a new beat after the descriptor, and its alignment in the datapath is based on the address in the descriptor. The First Byte Enable bits in the `m_axis_cq_tuser` indicate the valid bytes in the payload. The byte enable bits `byte_en` also provide this information.

Because an I/O write is a Non-Posted transaction, the client logic must respond to it with a Completion containing no data payload. The Completions for I/O requests can be sent in any order. Errors associated with the I/O write transaction can be signaled to the requester by setting the Completion Status field in the completion descriptor to CA (Completer Abort) or UR (Unsupported Request), as is appropriate. The operation of the Completer Completion interface is described in [Completer Completion Interface Operation, page 104](#).

I/O Read Operation

The transfer of an I/O read request on the CQ interface is similar to that of a memory read request, and involves only the descriptor. The length of the requested data is always one Dword, and the First Byte Enable bits in `m_axis_cq_tuser` indicate the valid bytes to be read.

The client logic must respond to an I/O read request with a one-Dword Completion (or a Completion with no data in the case of an error). The Completions for two distinct I/O read requests can be sent in any order. Errors associated with an I/O read transaction can be signaled to the requester by setting the Completion Status field in the completion descriptor to CA (Completer Abort) or UR (Unsupported Request), as is appropriate. The operation of the Completer Completion interface is described in [Completer Completion Interface Operation, page 104](#).

Atomic Operations on the Completer Request Interface

The transfer of an Atomic Op request on the completer request interface is similar to that of a memory write request. The payload for an Atomic Op can range from one Dword to eight Dwords, and its starting address is always aligned on a Dword boundary. The transfer starts with the 128-bit descriptor, followed by the payload. When the Dword-aligned mode is in use, the first payload Dword immediately follows the descriptor. When the address-alignment mode is in use, the payload starts in a new beat after the descriptor, and its alignment is based on the address in the descriptor. The `m_axis_cq_tkeep` output indicates the end of the payload. The `byte_en` signals in `m_axis_cq_tuser` also indicate the valid bytes in the payload. The First Byte Enable and Last Byte Enable bits in `m_axis_cq_tuser` should not be used for Atomic Operations.

Because an Atomic Operation is a Non-Posted transaction, the client logic must respond to it with a Completion containing the result of the operation. Errors associated with the operation can be signaled to the requester by setting the Completion Status field in the completion descriptor to Completer Abort (CA) or Unsupported Request (UR), as is appropriate. The operation of the Completer Completion interface is described in [Completer Completion Interface Operation, page 104](#).

Message Requests on the Completer Request Interface

The transfer of a message on the CQ interface is similar to that of a memory write request, except that a payload might not always be present. The transfer starts with the 128-bit descriptor, followed by the payload, if present. When the Dword-aligned mode is in use, the payload immediately follows the descriptor. When the address-alignment mode is in use, the first Dword of the payload is supplied in a new beat after the descriptor, and always starts in byte lane 0. The client can determine the end of the end of the payload from the states of the `m_axis_cq_tlast` and `m_axis_cq_tkeep` signals. The `byte_en` signals in `m_axis_cq_tuser` also indicate the valid bytes in the payload. The First Byte Enable and Last Byte Enable bits in `m_axis_cq_tuser` should not be used for Message transactions.

The `AXISTEN_IF_ENABLE_RX_MSG_INTFC` parameter must be set to 0 to enable the delivery of messages through the CQ interface. When this parameter is set to 0, the component bits of the `AXISTEN_IF_ENABLE_MSG_ROUTE[17:0]` parameter can be used to select the specific message types that the user wants delivered over the CQ interface. Setting a parameter bit to 1 enables the delivery of the corresponding type of messages on the interface, and setting it to 0 results in the Integrated Block filtering the message.

When `AXISTEN_IF_ENABLE_RX_MSG_INTFC` is set to 1, no messages are delivered on the CQ interface. Indications of received message are instead sent through a dedicated receive message interface (see [Receive Message Interface, page 115](#)).

Aborting a Transfer

For any request that includes an associated payload, the Integrated Block can signal an error in the transferred payload by asserting the `discontinue` signal in the `m_axis_cq_tuser` bus in the last beat of the packet (along with `m_axis_cq_tlast`). This occurs when the Integrated Block has detected an uncorrectable error while reading data from its internal memories. The client application must discard the entire packet when it has detected `discontinue` asserted in the last beat of a packet. This condition is considered a fatal error in the Integrated Block.

Selective Flow Control for Non-Posted Requests

The *PCI Express Base Specification* [Ref 2] requires that the Completer Request interface continue to deliver Posted transactions even when the client is unable to accept Non-Posted transactions. To enable this capability, the Integrated Block implements a credit-based flow control mechanism on the CQ interface through which client logic can control the flow of Non-Posted requests without affecting Posted requests. The client logic signals the availability of buffers for receive Non-Posted requests using the `pcie_cq_np_req` signal. The core delivers a Non-Posted request to the client only when the available credit is non-zero. The Integrated Block continues to deliver Posted requests while the delivery of Non-Posted requests has been paused for lack of credit. When no backpressure is applied by the credit mechanism for the delivery of Non-Posted requests, the Integrated Block delivers Posted and Non-Posted requests in the same order as received from the link.

The Integrated Block maintains an internal credit counter to track the credit available for Non-Posted requests on the completer request interface. The following algorithm is used to keep track of the available credit:

- On reset, the counter is set to 0.
- After the Integrated Block comes out of reset, in every clock cycle:
 - If `pcie_cq_np_req` is High and no Non-Posted request is being delivered this cycle, the credit count is incremented by 1, unless it has already reached its saturation limit of 32.
 - If `pcie_cq_np_req` is Low and a Non-Posted request is being delivered this cycle, the credit count is decremented by 1, unless it is already 0.
 - Otherwise, the credit count remains unchanged.
- The Integrated Block starts delivery of a Non-Posted TLP to the client only if the credit count is greater than 0.

The client application can either provide a one-cycle pulse on `pcie_cq_np_req` each time it is ready to receive a Non-Posted request, or can keep it permanently asserted if it does not need to exercise selective backpressure of Non-Posted requests. If the credit count is always non-zero, the Integrated Block delivers Posted and Non-Posted requests in the same order as received from the link. If it remains 0 for some time, Non-Posted requests can accumulate in the Integrated Block's FIFO. When the credit count becomes non-zero later, the Integrated Block first delivers the accumulated Non-Posted requests that arrived before Posted requests already delivered to the client, and then reverts to delivering the requests in the order received from the link.

The assertion and deassertion of the `pcie_cq_np_req` signal does not need to be aligned with the packet transfers on the completer request interface.

The client can monitor the current value of the credit count on the output `pcie_cq_np_req_count[5:0]`. The counter saturates at 32. Because of internal pipeline delays, there can be several cycles of delay between the Integrated Block receiving a pulse on the `pcie_cq_np_req` input and updating the `pcie_cq_np_req_count` output in response. Thus, when the client has adequate buffer space available, it should provide the credit in advance so that Non-Posted requests are not held up by the core for lack of credit.

Completer Completion Interface Operation

Figure 3-20 illustrates the signals associated with the completer completion interface of the core. The core delivers each TLP on this interface as an AXI4-Stream packet.

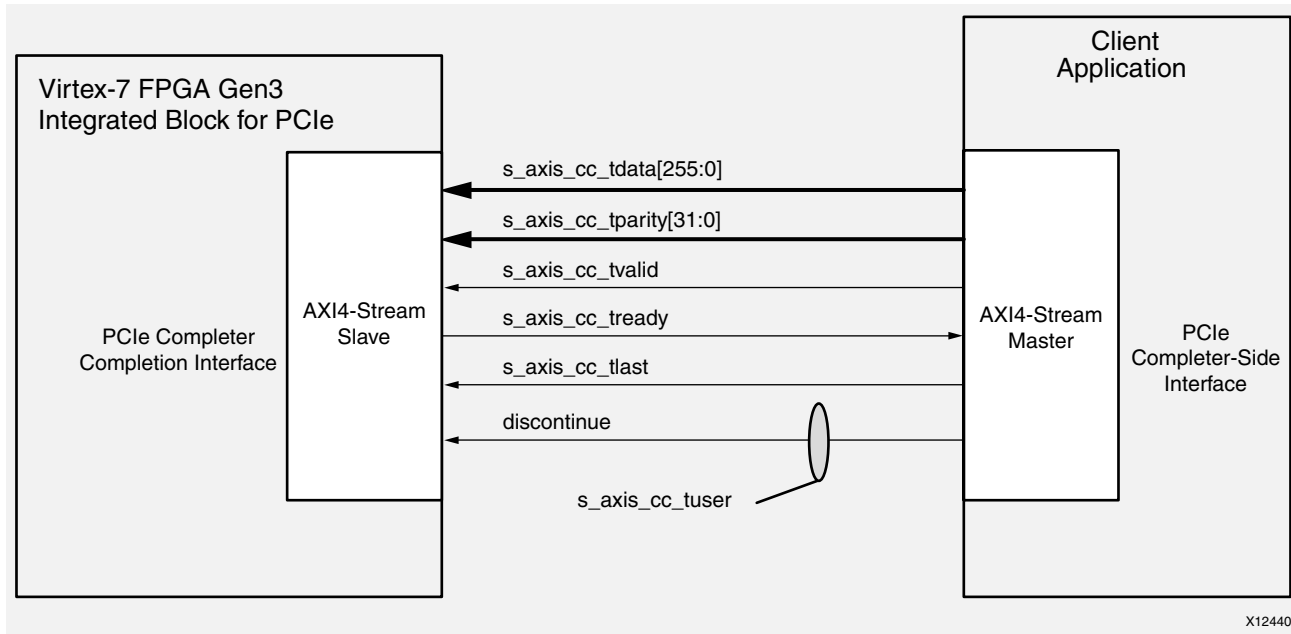


Figure 3-20: Completer Completion Interface Signals

The core delivers each TLP on the Completer Completion (CC) interface as an AXI4-Stream packet. The packet starts with a 96-bit descriptor, followed by data in the case of Completions with a payload.

The CC interface supports two distinct data alignment modes, selected by the `AXISTEN_IF_CC_ALIGNMENT_MODE` parameter. In the Dword-aligned mode, the first byte of valid data must be presented in lane $n = (12 + A \text{ mod } 4) \text{ mod } w$, where A is the byte-level starting address of the data block being transferred (as conveyed in the Lower Address field of the descriptor) and w the width of the interface in bytes (8, 16, or 32). In the address-aligned mode, the data always starts in a new beat after the descriptor has ended. When transferring the Completion payload for a memory or I/O read request, its first valid byte is on lane $n = A \text{ mod } w$. For all other Completions, the payload is aligned with byte lane 0.

Completer Completion Descriptor Format

The client application sends completion data for a completer request to the CC interface of the Integrated Block as an independent AXI4-Stream packet. Each packet starts with a descriptor and can have payload data following the descriptor. The descriptor is always 12 bytes long, and is sent in the first 12 bytes of the completion packet. The descriptor is transferred during the first two beats on a 64-bit interface, and in the first beat on a 128- or 256-bit interface. When the client application splits the completion data for a request into multiple Split Completions, it must send each Split Completion as a separate AXI4-Stream packet, with its own descriptor.

The format of the completer completion descriptor is illustrated in Figure 3-21. The individual fields of the completer request descriptor are described in Table 3-5.

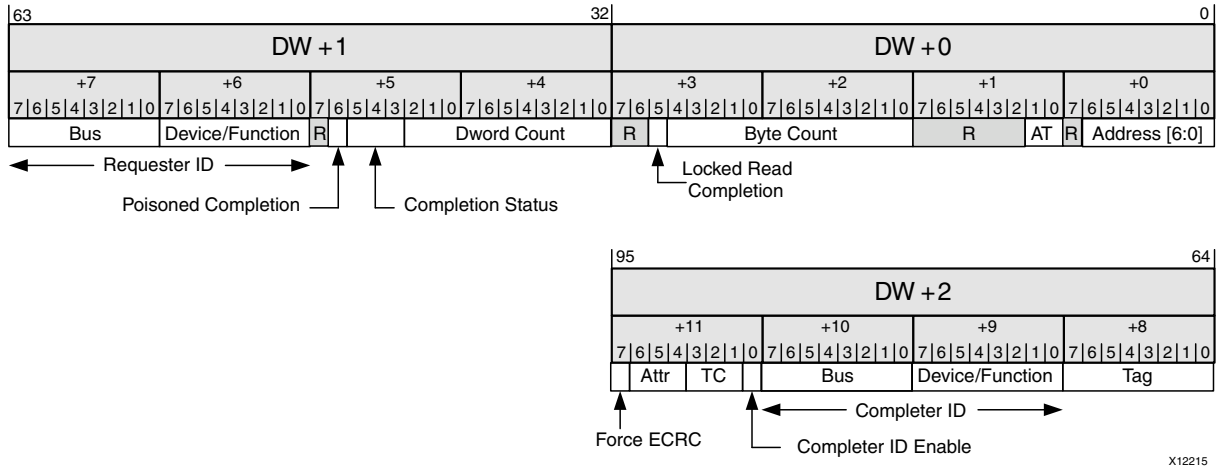


Figure 3-21: Completer Completion Descriptor Format

Table 3-5: Completer Completion Descriptor Fields

Bit Index	Field Name	Description
6:0	Lower Address	For memory read Completions, this field must be set to the least significant 7 bits of the starting byte-level address of the memory block being transferred. For all other Completions, the Lower Address must be set to all zeros.
9:8	Address Type	This field is defined for Completions of memory transactions and Atomic Operations only. For these Completions, the client logic must copy the AT bits from the corresponding request descriptor into this field. This field must be set to 0 for all other Completions.
28:16	Byte Count	These 13 bits can have values in the range of 0 – 4096 bytes. If a Memory Read Request is completed using a single Completion, the Byte Count value indicates Payload size in bytes. This field must be set to 4 for I/O read Completions and I/O write Completions. The byte count must be set to 1 while sending a Completion for a zero-length memory read, and a dummy payload of 1 Dword must follow the descriptor. For each Memory Read Completion, the Byte Count field must indicate the remaining number of bytes required to complete the Request, including the number of bytes returned with the Completion. If a Memory Read Request is completed using multiple Completions, the Byte Count value for each successive Completion is the value indicated by the preceding Completion minus the number of bytes returned with the preceding Completion. The total number of bytes required to complete a Memory Read Request is calculated as shown in Table 3-6, page 108 .
29	Locked Read Completion	This bit must be set when the Completion is in response to a Locked Read request. It must be set to 0 for all other Completions.
42:32	Dword Count	These 11 bits indicate the size of the payload of the current packet in Dwords. Its range is 0 - 1K Dwords. This field must be set to 1 for I/O read Completions and 0 for I/O write Completions. The Dword count must be set to 1 while sending a Completion for a zero-length memory read. The Dword count must be set to 0 when sending a UR or CA Completion. In all other cases, the Dword count must correspond to the actual number of Dwords in the payload of the current packet.

Table 3-5: Completer Completion Descriptor Fields (Cont'd)

Bit Index	Field Name	Description
45:43	Completion Status	These bits must be set based on the type of Completion being sent. The only valid settings are: <ul style="list-style-type: none"> • 000: Successful Completion • 001: Unsupported Request (UR) • 100: Completer Abort (CA)
46	Poisoned Completion	This bit can be used by the client to poison the Completion TLP being sent. This bit must be set to 0 for all Completions, except when the client has detected an error in the block of data following the descriptor and wants to communicate this information using the Data Poisoning feature of PCI Express.
63:48	Requester ID	PCI Requester ID associated with the request (copied by the client from the request).
71:64	Tag	PCIe Tag associated with the request (copied by the client from the request).
79:72	Target Function/ Device Number	Function number of the completer Function. The client must copy this value from the Target Function field of the descriptor of the corresponding request. When ARI is in use, all 8 bits of this field must be set to the target Function number. Otherwise, bits [74:72] must be set to the target Function number. When ARI is not in use, and the Integrated Block is configured as a Root Complex, the client must supply the 5-bit Device Number of the completer on bits [79:75]. When ARI is not used and the Integrated Block is configured as an Endpoint, the client can optionally supply a 5-bit Device Number of the completer on bits [79:75]. The client must set the Completer ID Enable bit in the descriptor if a Device Number is supplied on bits [79:75]. This value is used by the Integrated Block when sending the Completion TLP, instead of the stored value of the Device Number captured by the Integrated Block from Configuration Requests.
87:80	Completer Bus Number	Bus number associated with the completer Function. When the Integrated Block is configured as a Root Complex, the client must supply the 8-bit Bus Number of the completer in this field. When the Integrated Block is configured as an Endpoint, the client can optionally supply a Bus Number in this field. The client must set the Completer ID Enable bit in the descriptor if a Bus Number is supplied in this field. This value is used by the Integrated Block when sending the Completion TLP, instead of the stored value of the Bus Number captured by the Integrated Block from Configuration Requests.
88	Completer ID Enable	The purpose of this field is to enable the client to supply the bus and device numbers to be used in the Completer ID. This field is applicable only to Endpoint configurations. If this field is 0, the Integrated Block uses the captured values of the bus and device numbers to form the Completer ID. If this input is 1, the Integrated Block uses the bus and device numbers supplied by the client in the descriptor to form the Completer ID.
91:89	Transaction Class (TC)	PCIe Transaction Class (TC) associated with the request. The client must copy this value from the TC field of the associated request descriptor.

Table 3-5: Completer Completion Descriptor Fields (Cont'd)

Bit Index	Field Name	Description
94:92	Attributes	PCIe attributes associated with the request (copied from the request). Bit 92 is the No Snoop bit, bit 93 is the Relaxed Ordering bit, and bit 94 is the ID-Based Ordering bit.
95	Force ECRC	Force ECRC insertion. Setting this bit to 1 forces the Integrated Block to append a TLP Digest containing ECRC to the Completion TLP, even when ECRC is not enabled for the Function sending the Completion.

Table 3-6: Calculating Byte Count from Completer Request first_be[3:0], last_be[3:0], Dword Count[10:0]

first_be[3:0]	last_be[3:0]	Total Byte Count
1xx1	0000	4
01x1	0000	3
1x10	0000	3
0011	0000	2
0110	0000	2
1100	0000	2
0001	0000	1
0010	0000	1
0100	0000	1
1000	0000	1
0000	0000	1
xxx1	1xxx	Dword_count*4
xxx1	01xx	(Dword_count*4)-1
xxx1	001x	(Dword_count*4)-2
xxx1	0001	(Dword_count*4)-3
xx10	1xxx	(Dword_count*4)-1
xx10	01xx	(Dword_count*4)-2
xx10	001x	(Dword_count*4)-3
xx10	0001	(Dword_count*4)-4
x100	1xxx	(Dword_count*4)-2
x100	01xx	(Dword_count*4)-3
x100	001x	(Dword_count*4)-4
x100	0001	(Dword_count*4)-5
1000	1xxx	(Dword_count*4)-3
1000	01xx	(Dword_count*4)-4
1000	001x	(Dword_count*4)-5
1000	0001	(Dword_count*4)-6

Completions with Successful Completion Status

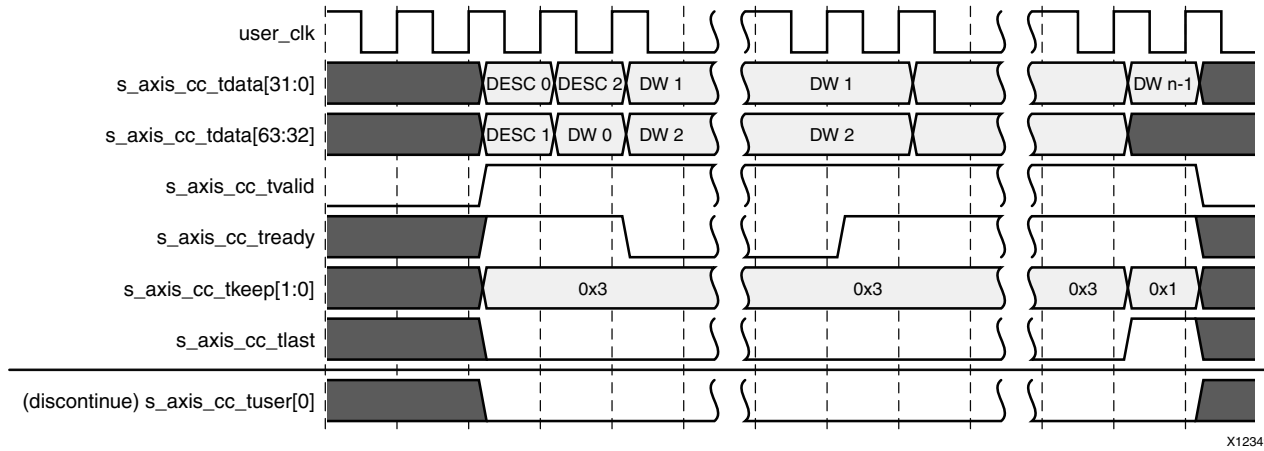
The client must return a Completion to the CC interface of the core for every Non-Posted request it receives from the completer request interface. When the request completes with no errors, the client must return a Completion with Successful Completion (SC) status. Such a Completion might or might not contain a payload, depending on the type of request. Furthermore, the data associated with the request can be broken up into multiple Split Completions when the size of the data block exceeds the maximum payload size configured. Client logic is responsible for splitting the data block into multiple Split Completions when needed. The client must transfer each Split Completion over the completer completion interface as a separate AXI4-Stream packet, with its own 12-byte descriptor.

In the example timing diagrams of this section, the starting Dword address of the data block being transferred (as conveyed in bits [6:2] of the Lower Address field of the descriptor) is assumed to be $(m * 8 + 1)$, for an integer m . The size of the data block is assumed to be n Dwords, for some $n = k * 32 + 28$, $k > 0$.

The CC interface supports two data alignment modes: Dword-aligned and address-aligned. The timing diagrams in [Figure 3-22](#), [Figure 3-23](#), and [Figure 3-24](#) illustrate the Dword-aligned transfer of a Completion from the client across the CC interface, when the interface width is configured as 64, 128, and 256 bits, respectively. In this case, the first Dword of the payload starts immediately after the descriptor. When the data block is not a multiple of four bytes, or when the start of the payload is not aligned on a Dword address boundary, the client must add null bytes to align the start of the payload on a Dword boundary and make the payload a multiple of Dwords. For example, when the data block starts at byte address 7 and has a size of 3 bytes, the client must add three null bytes before the first byte and two null bytes at the end of the block to make it two Dwords long. Also, in the case of non-contiguous reads, not all bytes in the data block returned are valid. In that case, the client must return the valid bytes in the proper positions, with null bytes added in gaps between valid bytes, when needed. The interface does not have any signals to indicate the valid bytes in the payload. This is not required, as the requester is responsible for keeping track of the byte enables in the request and discarding invalid bytes from the Completion.

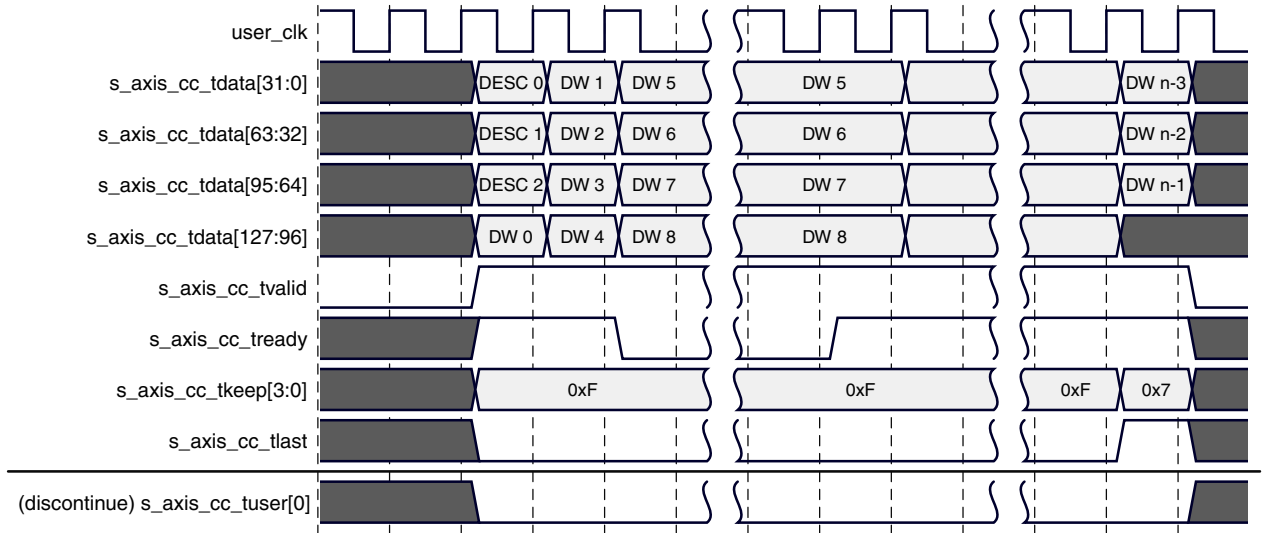
In the Dword-aligned mode, the transfer starts with the 12 descriptor bytes, followed immediately by the payload bytes. The client must keep the `s_axis_cc_tvalid` signal asserted over the duration of the packet. The Integrated Block treats the deassertion of `s_axis_cc_tvalid` during the packet transfer as an error, and nullifies the corresponding Completion TLP transmitted on the link to avoid data corruption.

The client must also assert the `s_axis_cc_tlast` signal in the last beat of the packet. The Integrated Block can deassert `s_axis_cc_tready` in any cycle if it is not ready to accept data. The client must not change the values on the CC interface during a clock cycle that the Integrated Block has deasserted `s_axis_cc_tready`.



X12349

Figure 3-22: Transfer of a Normal Completion on the Completer Completion Interface (Dword-Aligned Mode, Interface Width = 64 Bits)



X12350

Figure 3-23: Transfer of a Normal Completion on the Completer Completion Interface (Dword-Aligned Mode, Interface Width = 128 Bits)

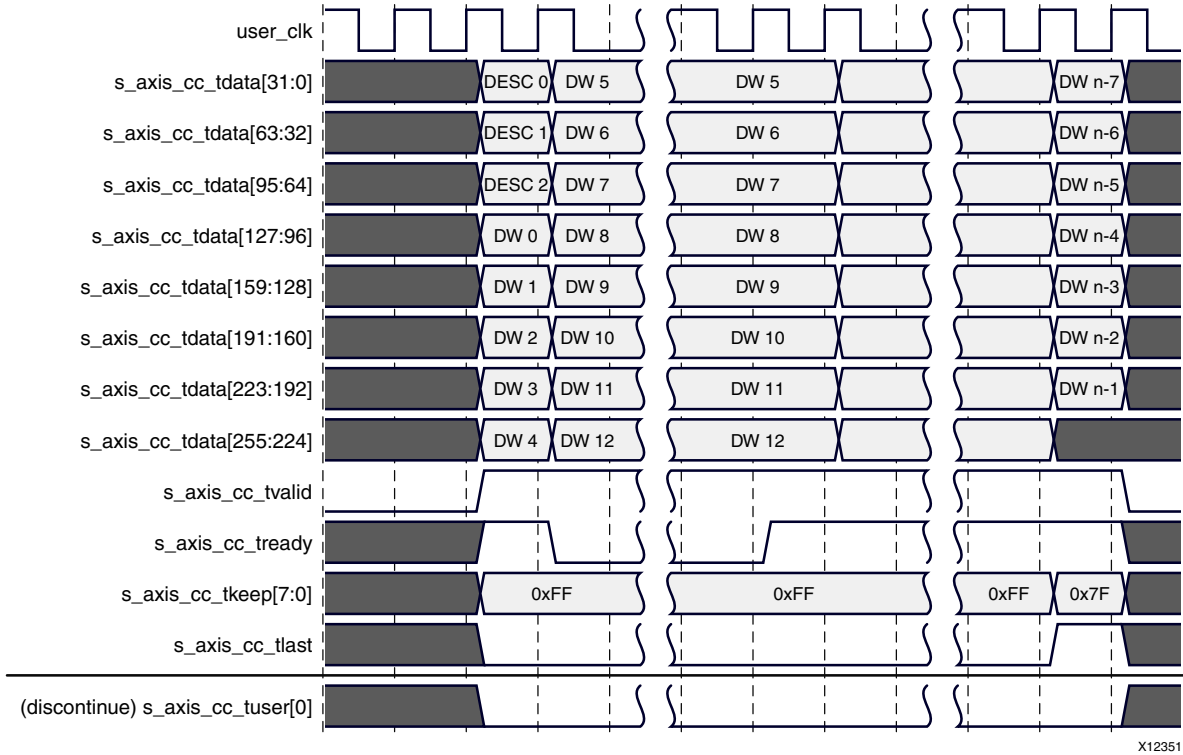
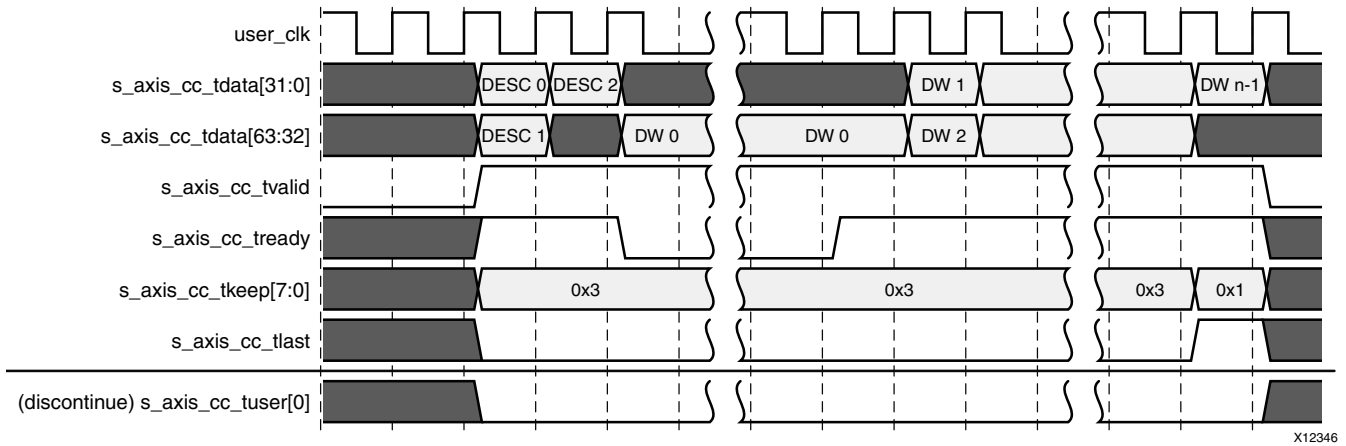


Figure 3-24: Transfer of a Normal Completion on the Completer Completion Interface (Dword-Aligned Mode, Interface Width = 256 Bits)

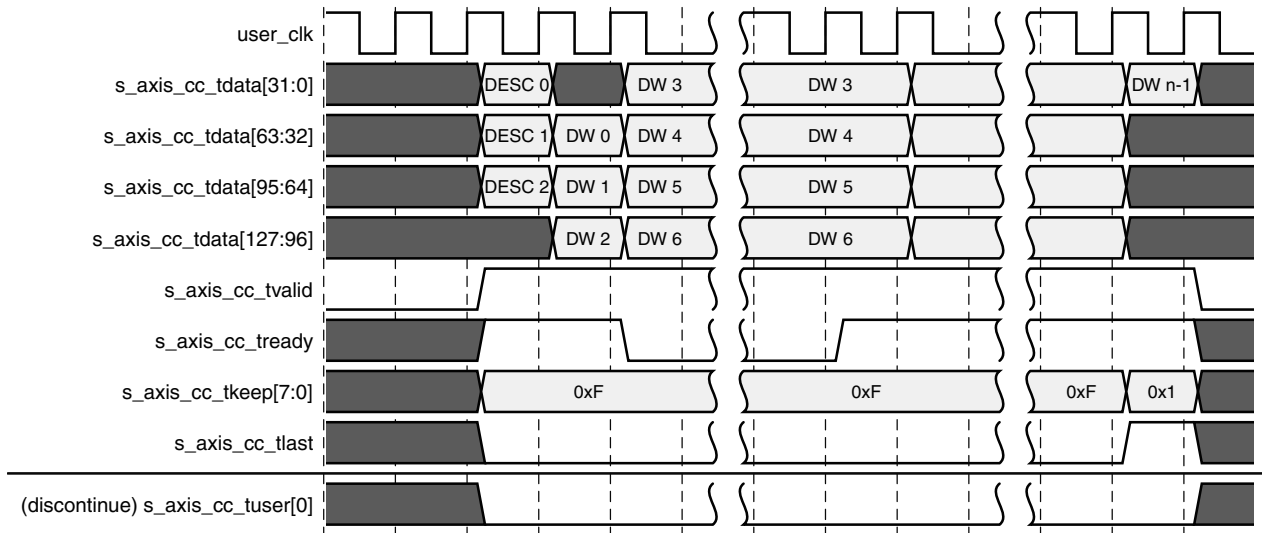
In the address-aligned mode, the delivery of the payload always starts in the beat following the last byte of the descriptor. For memory read Completions, the first byte of the payload can appear on any byte lane, based on the address of the first valid byte of the payload. For all other Completions, the payload must start in byte lane 0.

The timing diagrams in Figure 3-25, Figure 3-26, and Figure 3-27 illustrate the address-aligned transfer of a memory read Completion across the completer completion interface, when the interface width is configured as 64, 128, and 256 bits, respectively. For the purpose of illustration, the starting Dword address of the data block being transferred (as conveyed in bits [6:2] of the Lower Address field of the descriptor) is assumed to be $(m * 8 + 1)$, for some integer m . The size of the data block is assumed to be n Dwords, for some $n = k * 32 + 28$, $k > 0$.



X12346

Figure 3-25: Transfer of a Normal Completion on the Completer Completion Interface (Address-Aligned Mode, Interface Width = 64 Bits)



X12347

Figure 3-26: Transfer of a Normal Completion on the Completer Completion Interface (Address-Aligned Mode, Interface Width = 128 Bits)

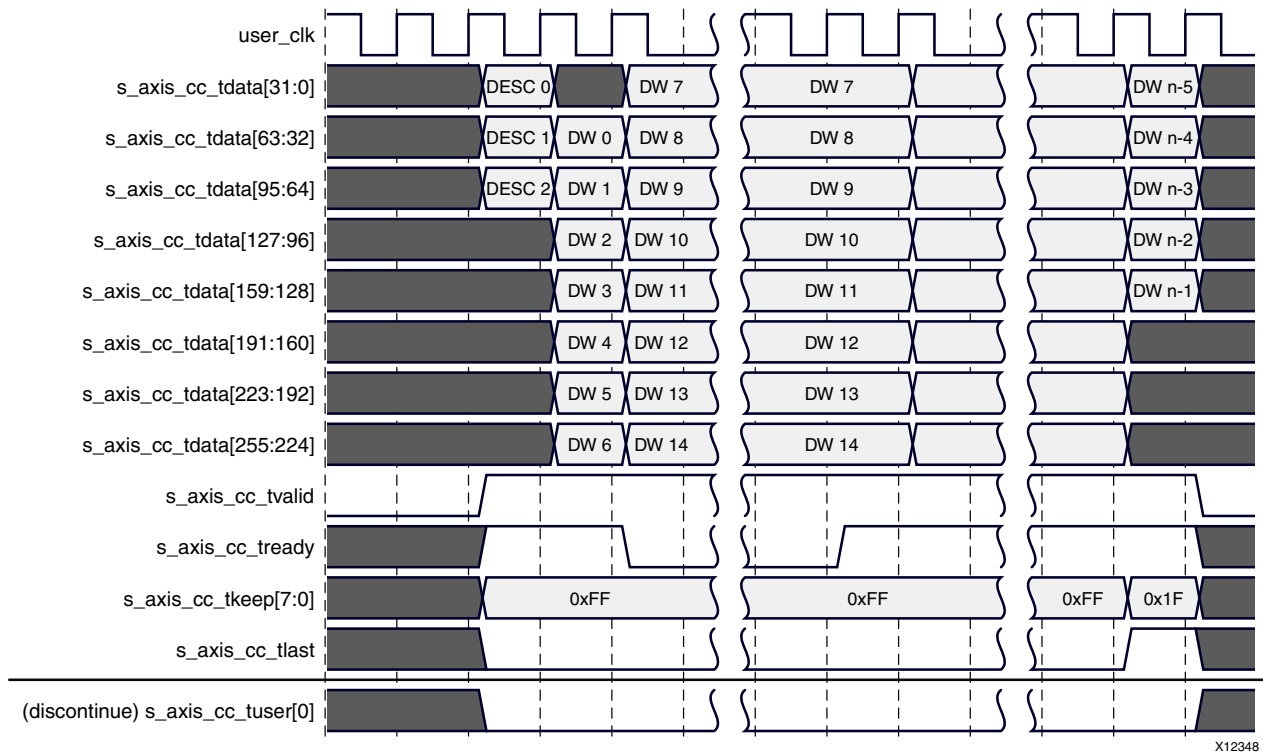


Figure 3-27: Transfer of a Normal Completion on the Completer Completion Interface (Address-Aligned Mode, Interface Width = 256 Bits)

Aborting a Completion Transfer

The client can abort the transfer of a Completion on the completer completion interface at any time during the transfer of the payload by asserting the discontinue signal in the `s_axis_cc_tuser` bus. The Integrated Block nullifies the corresponding TLP on the link to avoid data corruption.

The client can assert this signal in any cycle during the transfer, when the Completion being transferred has an associated payload. The client can either choose to terminate the packet prematurely in the cycle where the error was signaled (by asserting `s_axis_cc_tlast`), or can continue until all bytes of the payload are delivered to the Integrated Block. In the latter case, the Integrated Block treats the error as sticky for the following beats of the packet, even if the client deasserts the discontinue signal before reaching the end of the packet.

The discontinue signal can be asserted only when `s_axis_cc_tvalid` is High. The Integrated Block samples this signal when `s_axis_cc_tvalid` and `s_axis_cc_tready` are both asserted. Thus, after assertion, the discontinue signal should not be deasserted until `s_axis_cc_tready` is asserted.

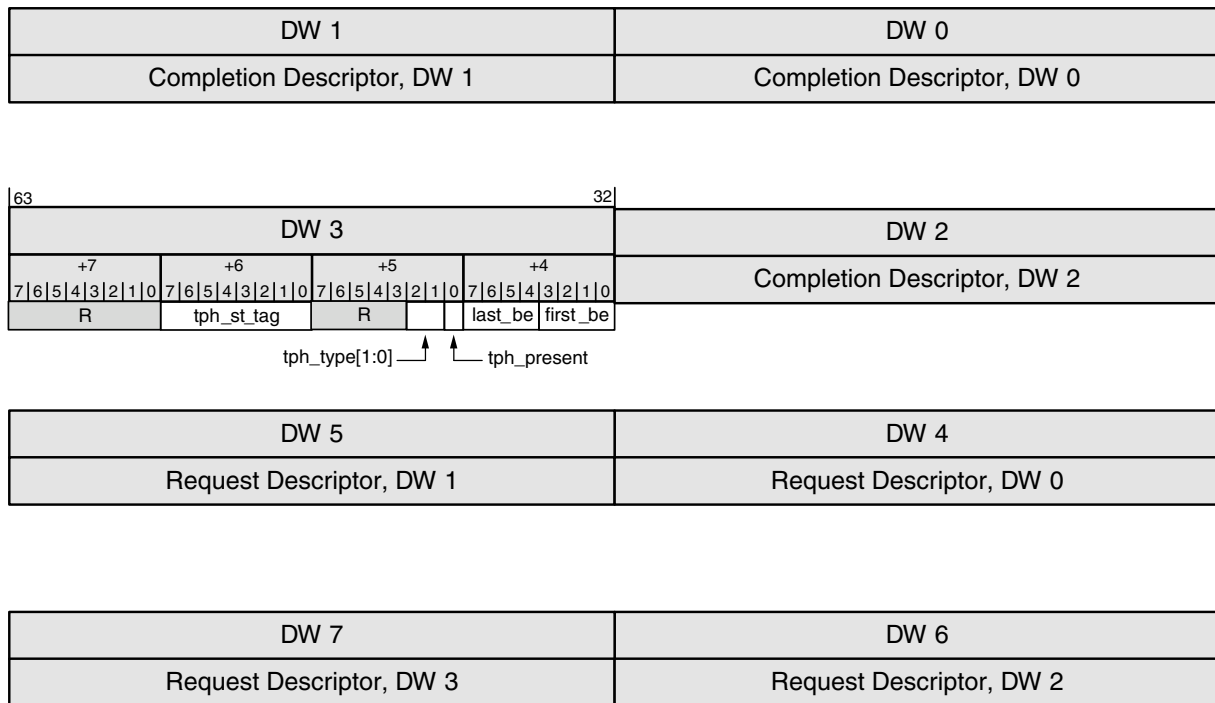
When the Integrated Block is configured as an Endpoint, this error is reported by the Integrated Block to the Root Complex to which it is attached, as an Uncorrectable Internal Error using the Advanced Error Reporting (AER) mechanisms.

Completions with Error Status (UR and CA)

When responding to a request received on the completer request interface with an Unsupported Request (UR) or Completion Abort (CA) status, the client must send a three-Dword completion descriptor in the format of Figure 3-21, followed by five additional Dwords containing information on the request that generated the Completion. These five Dwords are necessary for the Integrated Block to log information about the request in its AER header log registers.

Figure 3-28 shows the sequence of information transferred when sending a Completion with UR or CA status. The information is formatted as an AXI4-Stream packet with a total of 8 Dwords, which are organized as follows:

- The first three Dwords contain the completion descriptor in the format of Figure 3-21.
- The fourth Dword contains the state of the following signals in `m_axis_cq_tuser`, copied from the request:
 - The First Byte Enable bits `first_be[3:0]` in `m_axis_cq_tuser`.
 - The Last Byte Enable bits `last_be[3:0]` in `m_axis_cq_tuser`.
 - Signals carrying information on Transaction Processing Hint: `tph_present`, `tph_type[1:0]`, and `tph_st_tag[7:0]` in `m_axis_cq_tuser`.
- The four Dwords of the request descriptor received from the Integrated Block with the request.



X12232

Figure 3-28: Composition of the AXI4-Stream Packet for UR and CA Completions

The entire packet takes four beats on the 64-bit interface, two beats on the 128-bit interface, and a single beat on the 256-bit interface. The packet is transferred in an identical manner in both the Dword-aligned mode and the address-aligned mode, with the Dwords packed together. The client must keep the `s_axis_cc_tvalid` signal asserted over the duration of the packet. It must also assert the `s_axis_cc_tlast` signal in the last beat of the packet. The Integrated Block can deassert `s_axis_cc_tready` in any cycle if it is not ready to accept. The client must not change the values on the CC interface in any cycle that the Integrated Block has deasserted `s_axis_cc_tready`.

Receive Message Interface

The core provides a separate receive-message interface which the client can optionally use to receive indications of messages received from the link. This interface is enabled by the `AXISTEN_IF_ENABLE_RX_MSG_INTFC` parameter. When the receive message interface is enabled, the Integrated Block signals the arrival of a message from the link by setting the `cfg_msg_received_type[4:0]` output to indicate the type of message (see Table 3-7) and pulsing the `cfg_msg_received` signal for one or more cycles. The duration of assertion of `cfg_msg_received` is determined by the type of message received (see Table 3-8). When `cfg_msg_received` is High, the Integrated Block transfers any parameters associated with the message on the bus 8 bits at a time on the bus `cfg_msg_received_data`. The parameters transferred on this bus in each cycle of `cfg_msg_received` assertion for various message types are listed in Table 3-8. For Vendor-Defined Messages, the Integrated Block transfers only the first Dword of any associated payload across this interface. When larger payloads are in use, the completer request interface should be used for the delivery of messages.

Table 3-7: Message Type Encoding on Receive Message Interface

<code>cfg_msg_received_type[4:0]</code>	Message Type
0	ERR_COR
1	ERR_NONFATAL
2	ERR_FATAL
3	Assert_INTA
4	Deassert_INTA
5	Assert_INTB
6	Deassert_INTB
7	Assert_INTC
8	Deassert_INTC
9	Assert_INTD
10	Deassert_INTD
11	PM_PME
12	PME_TO_Ack
13	PME_Turn_Off

Table 3-7: Message Type Encoding on Receive Message Interface (Cont'd)

cfg_msg_received_type[4:0]	Message Type
14	PM_Active_State_Nak
15	Set_Slot_Power_Limit
16	Latency Tolerance Reporting (LTR)
17	Optimized Buffer Flush/Fill (OBFF)
18	Unlock
19	Vendor_Defined Type 0
20	Vendor_Defined Type 1
21	ATS Invalid Request
22	ATS Invalid Completion
23	ATS Page Request
24	ATS PRG Response
25 - 31	Reserved

Table 3-8: Message Parameters on Receive Message Interface

Message Type	Number of Cycles of cfg_msg_received Assertion	Parameter Transferred on cfg_msg_received_data[7:0]
ERR_COR, ERR_NONFATAL, ERR_FATAL	2	Cycle 1: Requester ID, Bus Number Cycle 2: Requester ID, Device/Function Number
Assert_INTx, Deassert_INTx	2	Cycle 1: Requester ID, Bus Number Cycle 2: Requester ID, Device/Function Number
PM_PME, PME_TO_Ack, PME_Turn_off, PM_Active_State_Nak	2	Cycle 1: Requester ID, Bus Number Cycle 2: Requester ID, Device/Function Number
Set_Slot_Power_Limit	6	Cycle 1: Requester ID, Bus Number Cycle 2: Requester ID, Device/Function Number Cycle 3: bits [7:0] of payload Cycle 4: bits [15:8] of payload Cycle 5: bits [23:16] of payload Cycle 6: bits [31:24] of payload
Latency Tolerance Reporting (LTR)	6	Cycle 1: Requester ID, Bus Number Cycle 2: Requester ID, Device/Function Number Cycle 3: bits [7:0] of Snoop Latency Cycle 4: bits [15:8] of Snoop Latency Cycle 5: bits [7:0] of No-Snoop Latency Cycle 6: bits [15:8] of No-Snoop Latency
Optimized Buffer Flush/Fill (OBFF)	3	Cycle 1: Requester ID, Bus Number Cycle 2: Requester ID, Device/Function Number Cycle 3: OBFF Code

Table 3-8: Message Parameters on Receive Message Interface (Cont'd)

Message Type	Number of Cycles of <code>cfg_msg_received</code> Assertion	Parameter Transferred on <code>cfg_msg_received_data[7:0]</code>
Unlock	2	Cycle 1: Requester ID, Bus Number Cycle 2: Requester ID, Device/Function Number
Vendor_Defined Type 0	4 cycles when no data present, 8 cycles when data present.	Cycle 1: Requester ID, Bus Number Cycle 2: Requester ID, Device/Function Number Cycle 3: Vendor ID[7:0] Cycle 4: Vendor ID[15:8] Cycle 5: bits [7:0] of payload Cycle 6: bits [15:8] of payload Cycle 7: bits [23:16] of payload Cycle 8: bits [31:24] of payload
Vendor_Defined Type 1	4 cycles when no data present, 8 cycles when data present.	Cycle 1: Requester ID, Bus Number Cycle 2: Requester ID, Device/Function Number Cycle 3: Vendor ID[7:0] Cycle 4: Vendor ID[15:8] Cycle 5: bits [7:0] of payload Cycle 6: bits [15:8] of payload Cycle 7: bits [23:16] of payload Cycle 8: bits [31:24] of payload
ATS Invalid Request	2	Cycle 1: Requester ID, Bus Number Cycle 2: Requester ID, Device/Function Number
ATS Invalid Completion	2	Cycle 1: Requester ID, Bus Number Cycle 2: Requester ID, Device/Function Number
ATS Page Request	2	Cycle 1: Requester ID, Bus Number Cycle 2: Requester ID, Device/Function Number
ATS PRG Response	2	Cycle 1: Requester ID, Bus Number Cycle 2: Requester ID, Device/Function Number

Figure 3-29 is a timing diagram showing the example of a Set_Slot_Power_Limit message on the receive message interface. This message has an associated one-Dword payload. For this message, the parameters are transferred over six consecutive cycles. The following information appears on the `cfg_msg_received_data` bus in each cycle:

- Cycle 1: Bus number of Requester ID
- Cycle 2: Device/Function Number of Requester ID
- Cycle 3: Bits [7:0] of the payload Dword
- Cycle 4: Bits [15:8] of the payload Dword
- Cycle 5: Bits [23:16] of the payload Dword
- Cycle 6: Bits [31:24] of the payload Dword

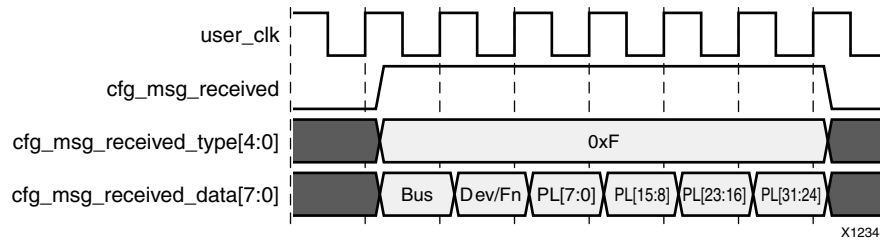


Figure 3-29: Receive Message Interface

The Integrated Block inserts a gap of at least one clock cycle between successive pulses on the `cfg_msg_received` output. There is no mechanism for the user to apply backpressure on the message indications delivered through the receive message interface. When using this interface, the client logic must always be ready to receive message indications.

Receive Message Interface Design Requirements

When configured as an Endpoint, the client application must implement one of the following:

1. The client application must issue Non-Posted Requests that result in Completions with the RO bit set.
2. The client application must not exceed the configured completion space.

This requirement ensures the RX Completion buffer does not overflow.

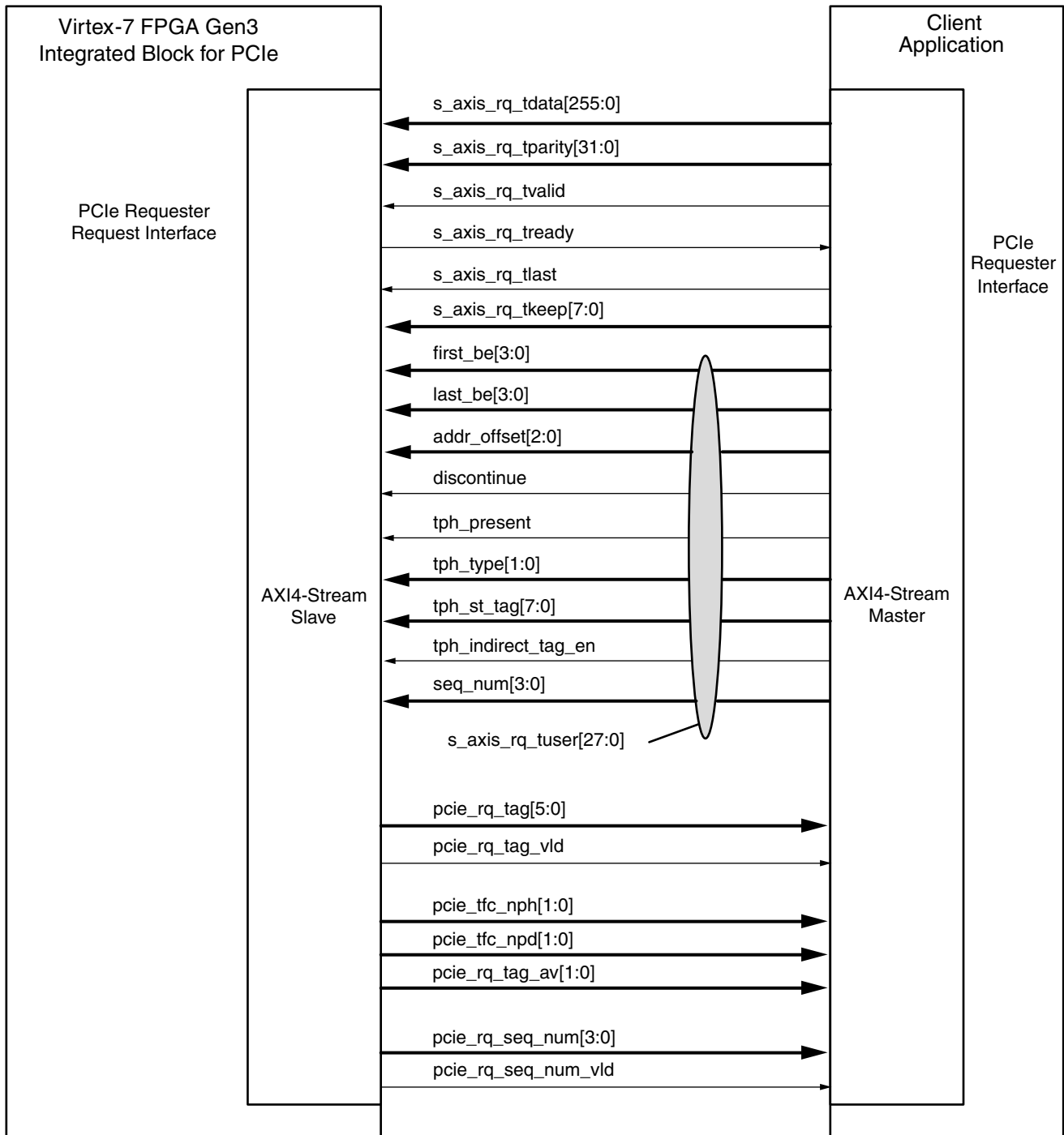
Requester Interface

The requester interface enables a client Endpoint application to initiate PCI transactions as a bus master across the PCIe link to the host memory. For Root Complexes, this interface is also used to initiate I/O and configuration requests. This interface can also be used by both Endpoints and Root Complexes to send messages on the PCIe link. The transactions on this interface are similar to those on the completer interface, except that the roles of the core and the client application are reversed. Posted transactions are performed as single indivisible operations and Non-Posted transactions as split transactions.

The requester interface consists of two separate interfaces, one for data transfer in each direction. Each interface is based on the AXI4-Stream protocol, and its width can be configured as 64, 128, or 256 bits. The Requester reQuest (RQ) interface is for transfer of requests (with any associated payload data) from the client application to the Integrated Block, and the Requester Completion (RC) interface is used by the Integrated Block to deliver Completions received from the link (for Non-Posted requests) to the client application. The two interfaces operate independently. That is, the client can transfer new requests over the RQ interface while receiving a completion for a previous request.

Requester Request Interface Operation

On the RQ interface, the client delivers each TLP as an AXI4-Stream packet. The packet starts with a 128-bit descriptor, followed by data in the case of TLPs with a payload. Figure 3-30 shows the signals associated with the requester request interface.



X12443

Figure 3-30: Requester Request Interface

The RQ interface supports two distinct data alignment modes for transferring payloads, selected by the `AXISTEN_IF_RQ_ALIGNMENT_MODE` parameter. In the Dword-aligned mode, the client logic must provide the first Dword of the payload immediately after the last Dword of the descriptor. It must also set the bits in `first_be[3:0]` to indicate the valid bytes in the first Dword and the bits in `last_be[3:0]` (both part of the bus `s_axis_rq_tuser`) to indicate the valid bytes in the last Dword of the payload. In the address-aligned mode, the client must start the payload transfer in the beat following the last Dword of the descriptor, and its first Dword can be in any of the possible Dword positions on the datapath. The client communicates the offset of the first Dword on the datapath using the `addr_offset[2:0]` signals in `s_axis_rq_tuser`. As in the case of the Dword-aligned mode, the client must also set the bits in `first_be[3:0]` to indicate the valid bytes in the first Dword and the bits in `last_be[3:0]` to indicate the valid bytes in the last Dword of the payload.

When the Transaction Processing Hint Capability is enabled in the Integrated Block, the client can provide an optional Hint with any memory transaction using the `tph_*` signals included in the `s_axis_rq_tuser` bus. To supply a Hint with a request, the client logic must assert `tph_present` in the first beat of the packet, and provide the TPH Steering Tag and Steering Tag Type on `tph_st_tag[7:0]` and `tph_st_type[1:0]`, respectively. Instead of supplying the value of the Steering Tag to be used, the client also has the option of providing an indirect Steering Tag. This is done by setting the `tph_indirect_tag_en` signal to 1 when `tph_present` is asserted, and placing an index on `tph_st_tag[7:0]`, instead of the tag value. The Integrated Block then reads the tag stored in its Steering Tag Table associated with the requester Function at the offset specified in the index and inserts it in the request TLP.

Requester Request Descriptor Formats

The client must transfer each request to be transmitted on the link to the RQ interface of the Integrated Block as an independent AXI4-Stream packet. Each packet must start with a descriptor and can have payload data following the descriptor. The descriptor is always 16 bytes long, and must be sent in the first 16 bytes of the request packet. The descriptor is transferred during the first two beats on a 64-bit interface, and in the first beat on a 128-bit or 256-bit interface.

The formats of the descriptor for different request types are illustrated in [Figure 3-31](#) through [Figure 3-35](#). The format of [Figure 3-31](#) applies when the request TLP being transferred is a memory read/write request, an I/O read/write request, or an Atomic Operation request. The format in [Figure 3-32](#) is used for Configuration Requests. The format in [Figure 3-33](#) is used for Vendor-Defined Messages (Type 0 or Type 1) only. The format in [Figure 3-34](#) is used for all ATS messages (Invalid Request, Invalid Completion, Page Request, PRG Response). For all other messages, the descriptor takes the format shown in [Figure 3-35](#).

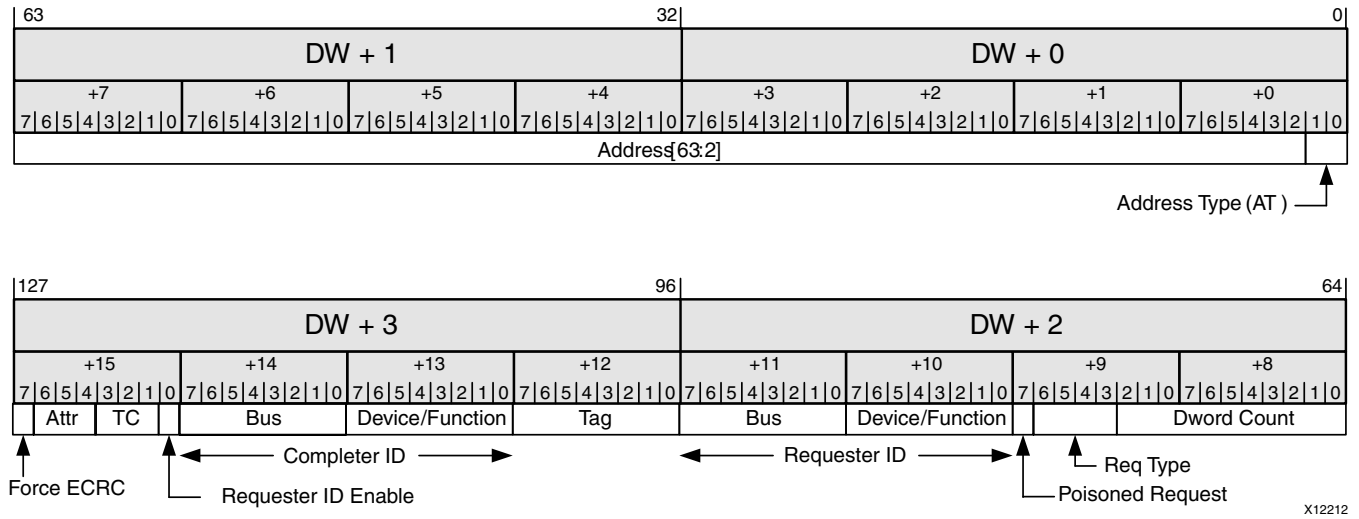


Figure 3-31: Requester Request Descriptor Format for Memory, I/O, and Atomic Op Requests

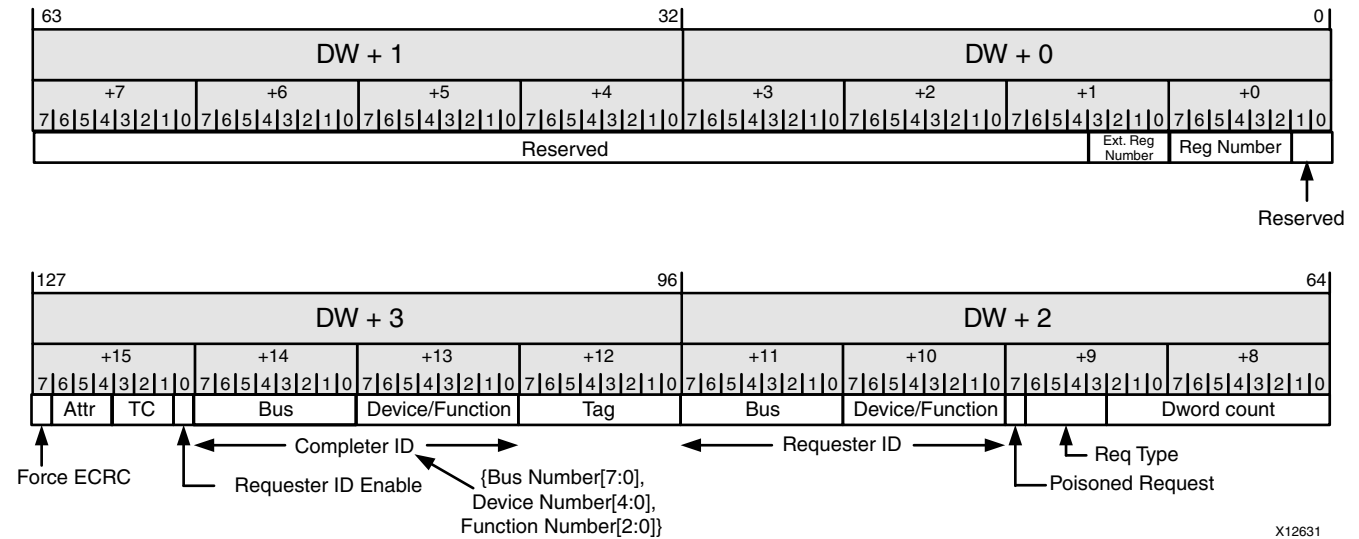


Figure 3-32: Requester Request Descriptor Format for Configuration Requests

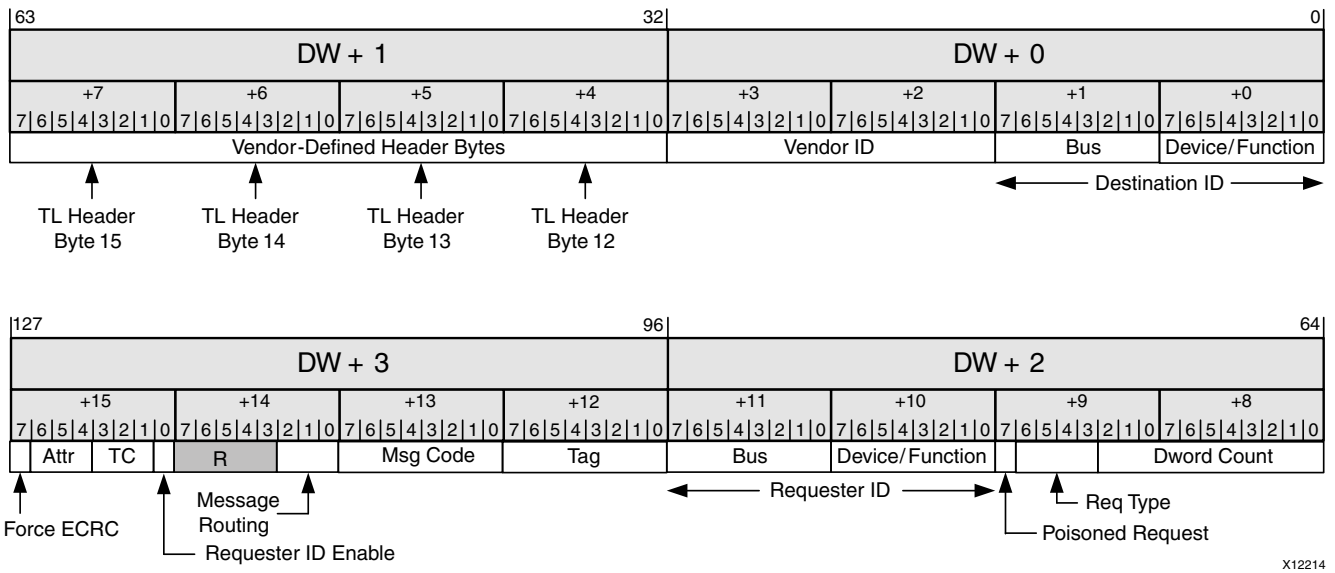


Figure 3-33: Requester Request Descriptor Format for Vendor-Defined Messages

X12214

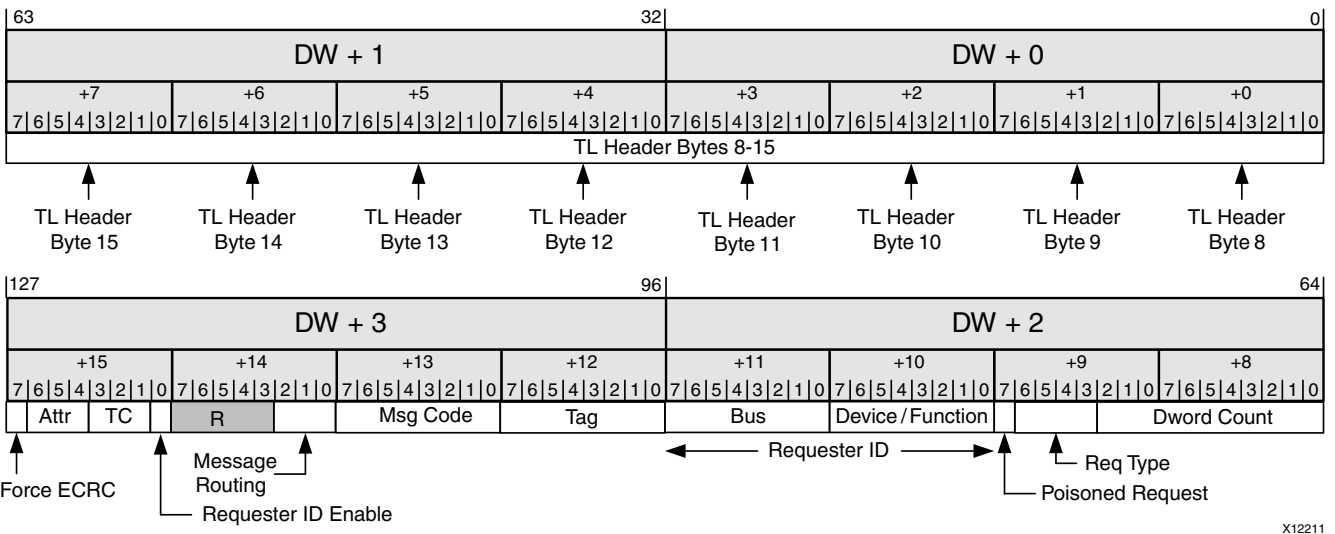
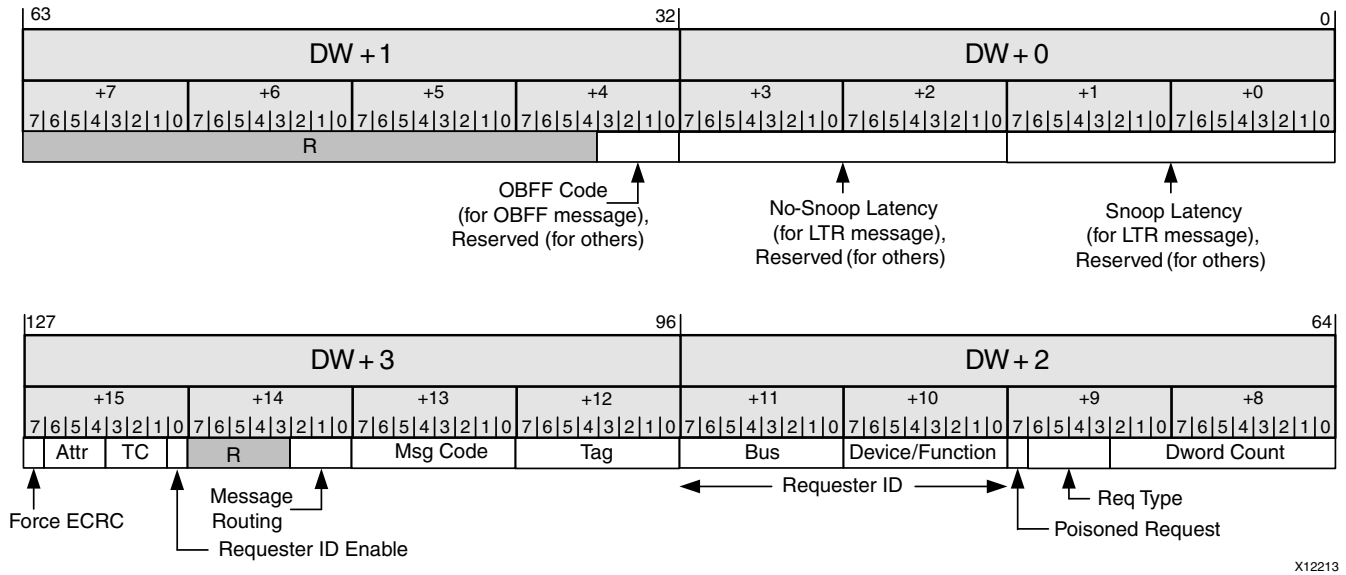


Figure 3-34: Requester Request Descriptor Format for ATS Messages

X12211



X12213

Figure 3-35: Requester Request Descriptor Format for all other Messages

Table 3-9 describes the individual fields of the completer request descriptor.

Table 3-9: Requester Request Descriptor Fields

Bit Index	Field Name	Description
1:0	Address Type	This field is defined for memory transactions and Atomic Operations only. The Integrated Block copies this field into the AT of the TL header of the request TLP. <ul style="list-style-type: none"> • 00: Address in the request is untranslated • 01: Transaction is a Translation Request • 10: Address in the request is a translated address • 11: Reserved
63:2	Address	This field applies to memory, I/O, and Atomic Op requests. This is the address of the first Dword referenced by the request. The client must also set the First_BE and Last_BE bits in <code>s_axis_rq_tuser</code> to indicate the valid bytes in the first and last Dwords, respectively. When the transaction specifies a 32-bit address, bits [63:32] of this field must be set to 0.
74:64	Dword Count	These 11 bits indicate the size of the block (in Dwords) to be read or written (for messages, size of the message payload). The valid range for Memory Write Requests is 0-256 Dwords. Memory Read Requests have a valid range of 1-1024 Dwords. For I/O accesses, the Dword count is always 1. For a zero length memory read/write request, the Dword count must be 1, with the First_BE bits set to all zeros. The Integrated Block does not check the setting of this field against the actual length of the payload supplied (for requests with payload), nor against the maximum payload size or read request size settings of the Integrated Block.

Table 3-9: Requester Request Descriptor Fields (Cont'd)

Bit Index	Field Name	Description
78:75	Request Type	Identifies the transaction type. The transaction types and their encodings are listed in Table 3-4.
79	Poisoned Request	This bit can be used by the client to poison the request TLP being sent. This feature is supported on all request types except Type 0 and Type 1 Configuration Write Requests. This bit must be set to 0 for all requests, except when the client has detected an error in the block of data following the descriptor and wants to communicate this information using the Data Poisoning feature of PCI Express. This feature is supported on all request types except Type 0 and Type 1 Configuration Write Requests.
87:80	Requester Function/Device Number	Function number of the Requester Function. When ARI is in use, all 8 bits of this field must be set to the Function number. Otherwise, bits [84:82] must be set to the completer Function number. When ARI is not in use, and the Integrated Block is configured as a Root Complex, the client must supply the 5-bit Device Number of the requester on bits [87:83]. When ARI is not use, and the Integrated Block is configured as an Endpoint, the client can optionally supply a 5-bit Device Number of the requester on bits [87:83]. The client must set the Requester ID Enable bit in the descriptor if a Device Number is supplied on bits [87:83]. This value is used by the Integrated Block when sending the Request TLP, instead of the stored value of the Device Number captured by the Integrated Block from Configuration Requests.
95:88	Requester Bus Number	Bus number associated with the requester Function. When the Integrated Block is configured as a Root Complex, the client must supply the 8-bit Bus Number of the requester in this field. When the Integrated Block is configured as an Endpoint, the client can optionally supply a Bus Number in this field. The client must set the Requester ID Enable bit in the descriptor if a Bus Number is supplied in this field. This value is used by the Integrated Block when sending the Request TLP, instead of the stored value of the Bus Number captured by the Integrated Block from Configuration Requests.
103:96	Tag	PCIe Tag associated with the request. For Posted transactions, the Integrated Block always uses the value from this field as the tag for the request. For Non-Posted transactions, the Integrated Block uses the value from this field if the <code>AXISTEN_IF_ENABLE_CLIENT_TAG</code> parameter is set (that is, when tag management is performed by the client). If this parameter is not set, tag management logic in the Integrated Block generates the tag to be used, and the value in the tag field of the descriptor is not used.

Table 3-9: Requester Request Descriptor Fields (Cont'd)

Bit Index	Field Name	Description
119:104	Completer ID	This field is applicable only to Configuration requests and messages routed by ID. For these requests, this field specifies the PCI Completer ID associated with the request (these 16 bits are divided into an 8-bit bus number, 5-bit device number, and 3-bit function number in the legacy interpretation mode. In the ARI mode, these 16 bits are treated as an 8-bit bus number + 8-bit Function number.).
120	Requester ID Enable	The purpose of this field is to enable the client to supply the bus and device numbers to be used in the Requester ID. This field is applicable only to Endpoints. If this field is 0, the Integrated Block uses the captured values of the bus and device numbers to form the Requester ID. If this input is 1, the Integrated Block uses the bus and device numbers supplied by the client in the descriptor to form the Requester ID.
123:121	Transaction Class (TC)	PCIe Transaction Class (TC) associated with the request.
126:124	Attributes	These bits provide the setting of the Attribute bits associated with the request. Bit 124 is the No Snoop bit and bit 125 is the Relaxed Ordering bit. Bit 126 is the ID-Based Ordering bit, and can be set only for memory requests and messages. The Integrated Block forces the attribute bits to 0 in the request sent on the link if the corresponding attribute is not enabled in the Function's PCI Express Device Control Register.
127	Force ECRC	Force ECRC insertion. Setting this bit to 1 forces the Integrated Block to append a TLP Digest containing ECRC to the Request TLP, even when ECRC is not enabled for the Function sending request.
15:0	Snoop Latency	This field is defined for LTR messages only. It provides the value of the 16-bit Snoop Latency field in the TLP header of the message.
31:16	No-Snoop Latency	This field is defined for LTR messages only. It provides the value of the 16-bit No-Snoop Latency field in the TLP header of the message.
35:32	OBFF Code	The OBFF Code field is used to distinguish between various OBFF cases: <ul style="list-style-type: none"> • 1111b: "CPU Active" – System fully active for all device actions including bus mastering and interrupts • 0001b: "OBFF" – System memory path available for device memory read/write bus master activities • 0000b: "Idle" – System in an idle, low power state All other codes are reserved.

Table 3-9: Requester Request Descriptor Fields (Cont'd)

Bit Index	Field Name	Description
111:104	Message Code	This field is defined for all messages. It contains the 8-bit Message Code to be set in the TL header. Appendix F of the <i>PCI Express Base Specification, rev. 3.0</i> [Ref 2] provides a complete list of the supported Message Codes.
114:112	Message Routing	This field is defined for all messages. The Integrated Block copies these bits into the 3-bit Routing field r[2:0] of the TLP header of the Request TLP.
15:0	Destination ID	This field applies to Vendor-Defined Messages only. When the message is routed by ID (that is, when the Message Routing field is 010 binary), this field must be set to the Destination ID of the message.
63:32	Vendor-Defined Header	This field applies to Vendor-Defined Messages only. It is copied into Dword 3 of the TLP header.
63:0	ATS Header	This field is applicable to ATS messages only. It contains the bytes that the Integrated Block copies into Dwords 2 and 3 of the TLP header.

Requester Memory Write Operation

In both Dword-aligned, the transfer starts with the sixteen descriptor bytes, followed immediately by the payload bytes. The client must keep the `s_axis_rq_tvalid` signal asserted over the duration of the packet. The Integrated Block treats the deassertion of `s_axis_rq_tvalid` during the packet transfer as an error, and nullifies the corresponding Request TLP transmitted on the link to avoid data corruption.

The client must also assert the `s_axis_rq_tlast` signal in the last beat of the packet. The Integrated Block can deassert `s_axis_rq_tready` in any cycle if it is not ready to accept data. The client must not change the values on the RQ interface during cycles when the Integrated Block has deasserted `s_axis_rq_tready`. The AXI4-Stream interface signals `m_axis_cq_tkeep` (one per Dword position) must be set to indicate the valid Dwords in the packet including the descriptor and any null bytes inserted between the descriptor and the payload. That is, the `tkeep` bits must be set to 1 contiguously from the first Dword of the descriptor until the last Dword of the payload. During the transfer of a packet, the `tkeep` bits can be 0 only in the last beat of the packet, when the packet does not fill the entire width of the interface.

The requester request interface also includes the First Byte Enable and the Last Enable bits in the `s_axis_rq_tuser` bus. These must be set in the first beat of the packet, and provides information of the valid bytes in the first and last Dwords of the payload.

The client must limit the size of the payload transferred in a single request to the maximum payload size configured in the Integrated Block, and must ensure that the payload does not cross a 4 Kbyte boundary. For memory writes of two Dwords or less, the `1s` in `first_be` and `last_be` can be non-contiguous. For the special case of a zero-length memory write

request, the client must provide a dummy one-Dword payload with `first_be` and `last_be` both set to all 0s. In all other cases, the 1 bits in `first_be` and `last_be` must be contiguous.

The timing diagrams in [Figure 3-36](#), [Figure 3-37](#), and [Figure 3-38](#) illustrate the Dword-aligned transfer of a memory write request from the client across the requester request interface, when the interface width is configured as 64, 128, and 256 bits, respectively. For illustration purposes, the size of the data block being written into client memory is assumed to be n Dwords, for some $n = k * 32 + 29, k > 0$.

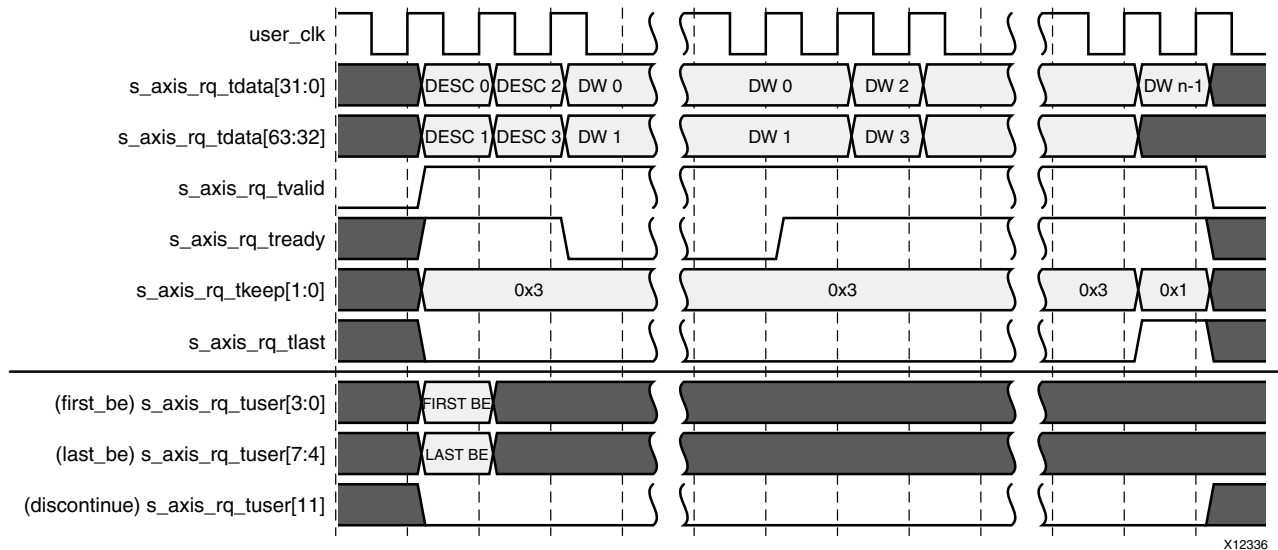
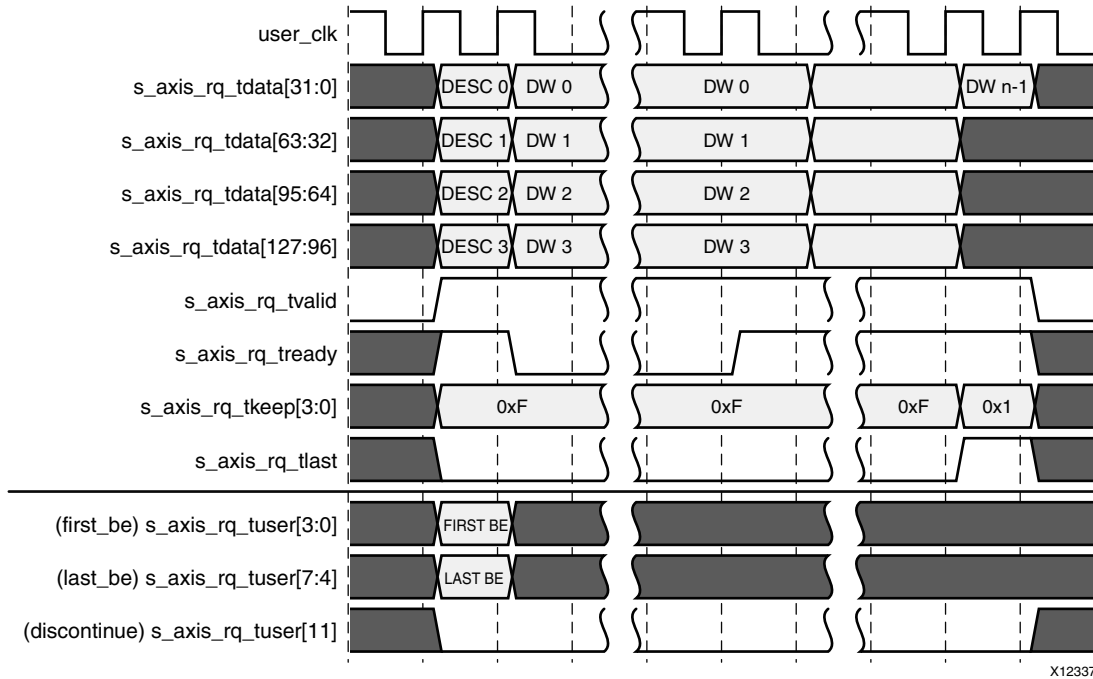


Figure 3-36: Memory Write Transaction on the Requester Request Interface (Dword-Aligned Mode, Interface Width = 64 Bits)



X12337

Figure 3-37: Memory Write Transaction on the Requester Request Interface (Dword-Aligned Mode, Interface Width = 128 Bits)

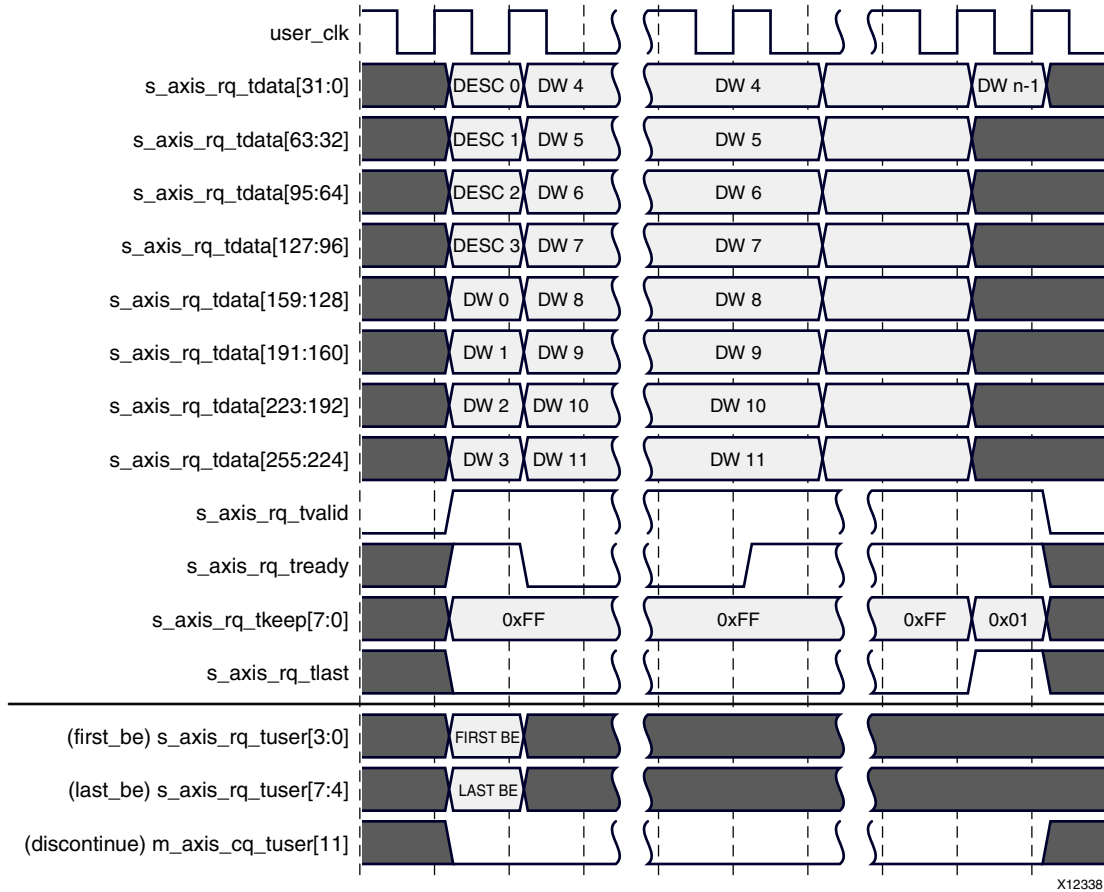


Figure 3-38: Memory Write Transaction on the Requester Request Interface (Dword-Aligned Mode, Interface Width = 256 Bits)

The timing diagrams in [Figure 3-39](#), [Figure 3-40](#), and [Figure 3-41](#) illustrate the address-aligned transfer of a memory write request from the client across the RQ interface, when the interface width is configured as 64, 128, and 256 bits, respectively. For illustration purposes, the starting Dword offset of the data block being written into client memory is assumed to be $(m * 32 + 1)$, for some integer $m > 0$. Its size is assumed to be n Dwords, for some $n = k * 32 + 29$, $k > 0$.

In the address-aligned mode, the delivery of the payload always starts in the beat following the last byte of the descriptor. The first Dword of the payload can appear at any Dword position. The client must communicate the offset of the first Dword of the payload on the datapath using the `addr_offset[2:0]` signal in `s_axis_rq_tuser`. The client must also set the bits in `first_be[3:0]` to indicate the valid bytes in the first Dword and the bits in `last_be[3:0]` to indicate the valid bytes in the last Dword of the payload.

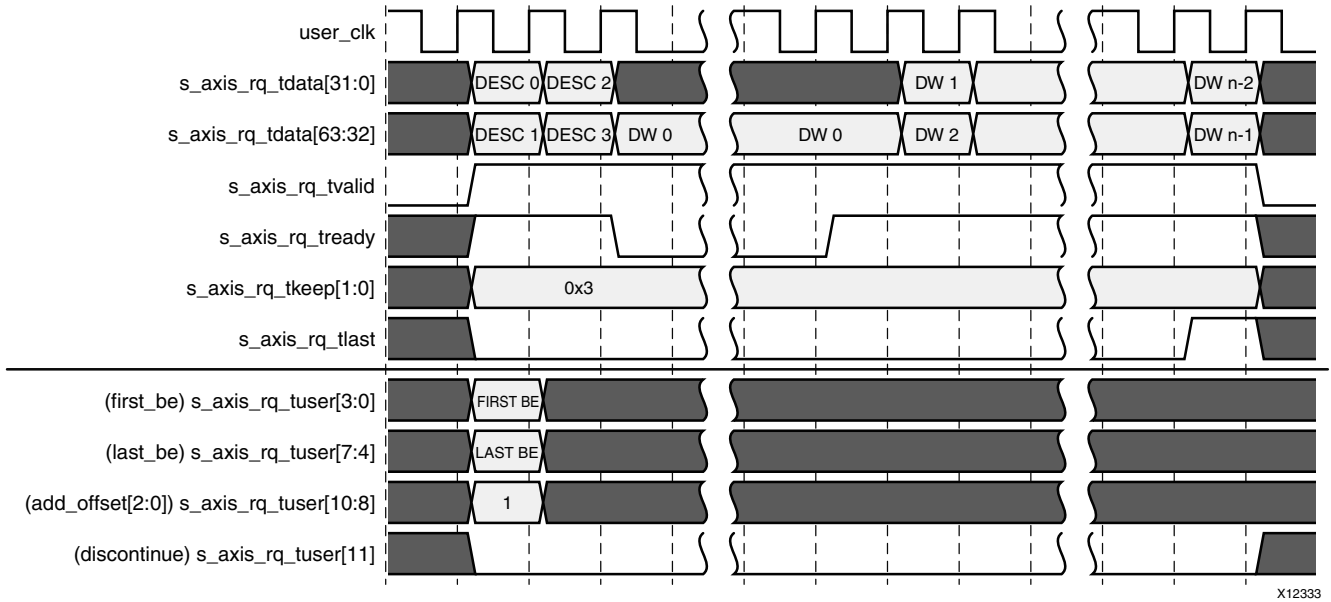


Figure 3-39: Memory Write Transaction on the Requester Request Interface (Address-Aligned Mode, Interface Width = 64 Bits)

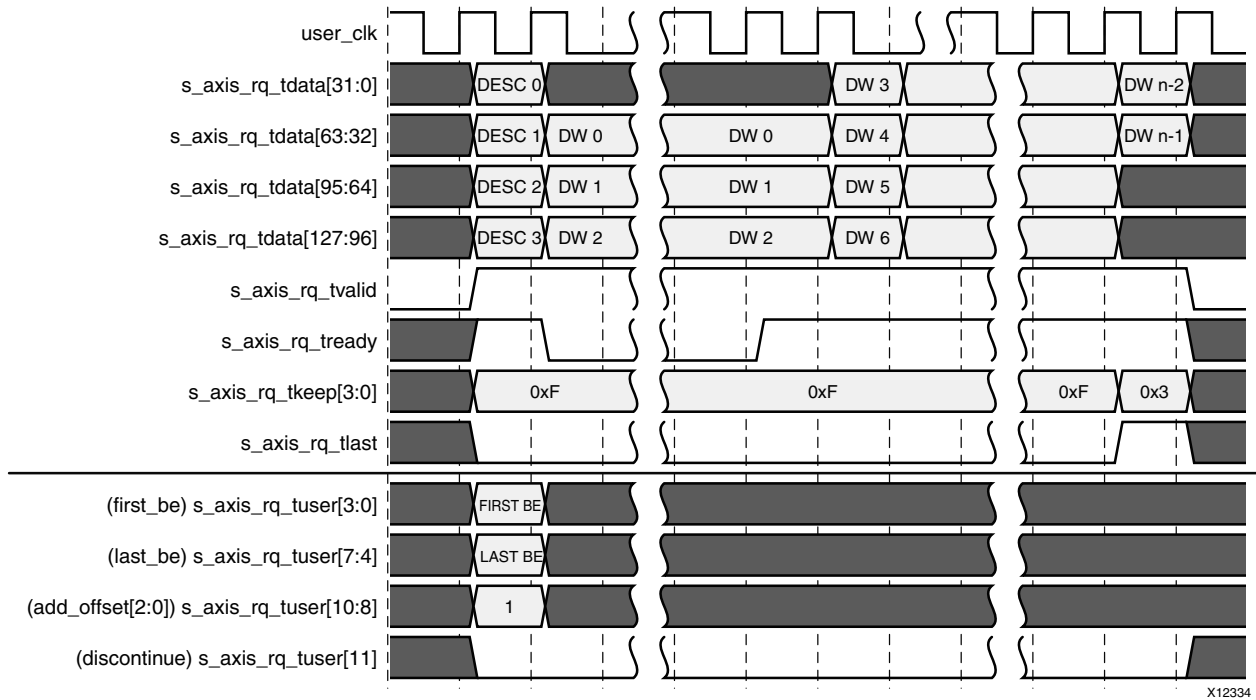


Figure 3-40: Memory Write Transaction on the Requester Request Interface (Address-Aligned Mode, Interface Width = 128 Bits)

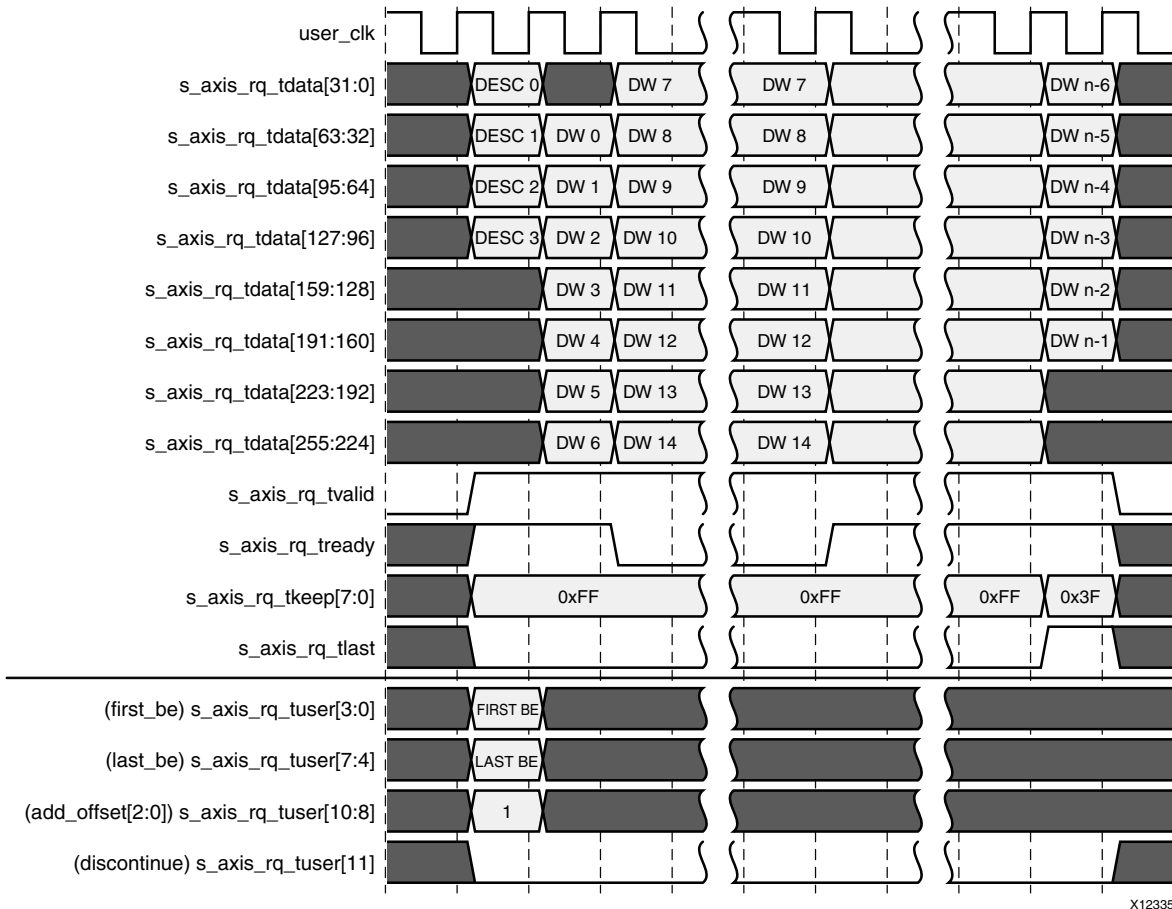


Figure 3-41: Memory Write Transaction on the Requester Request Interface (Address-Aligned Mode, Interface Width = 256 Bits)

Non-Posted Transactions with No Payload

Non-Posted transactions with no payload (memory read requests, I/O read requests, Configuration read requests) are transferred across the RQ interface in the same manner as a memory write request, except that the AXI4-Stream packet contains only the 16-byte descriptor. The timing diagrams in Figure 3-42, Figure 3-43, and Figure 3-44 illustrate the transfer of a memory read request across the RQ interface, when the interface width is configured as 64, 128, and 256 bits, respectively. The packet occupies two consecutive beats on the 64-bit interface, while it is transferred in a single beat on the 128- and 256-bit interfaces. The `s_axis_rq_tvalid` signal must remain asserted over the duration of the packet. The Integrated Block can deassert `s_axis_rq_tready` to prolong the beat. The `s_axis_rq_tlast` signal must be set in the last beat of the packet, and the bits in `s_axis_rq_tkeep[7:0]` must be set in all Dword positions where a descriptor is present.

The valid bytes in the first and last Dwords of the data block to be read must be indicated using `first_be[3:0]` and `last_be[3:0]`, respectively. For the special case of a zero-length memory read, the length of the request must be set to one Dword, with both `first_be[3:0]` and `last_be[3:0]` set to all 0s. Additionally when in address-aligned

mode, `addr_offset[2:0]` in `s_axis_rq_tuser` specifies the desired starting alignment of data returned on the Requester Completion interface. The alignment is not required to be correlated to the address of the request.

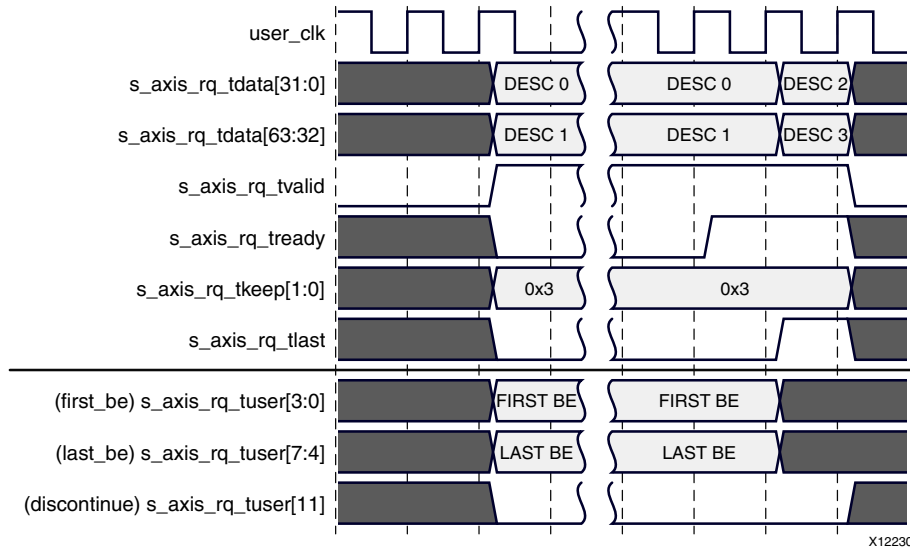


Figure 3-42: Memory Read Transaction on the Requester Request Interface (Interface Width = 64 Bits)

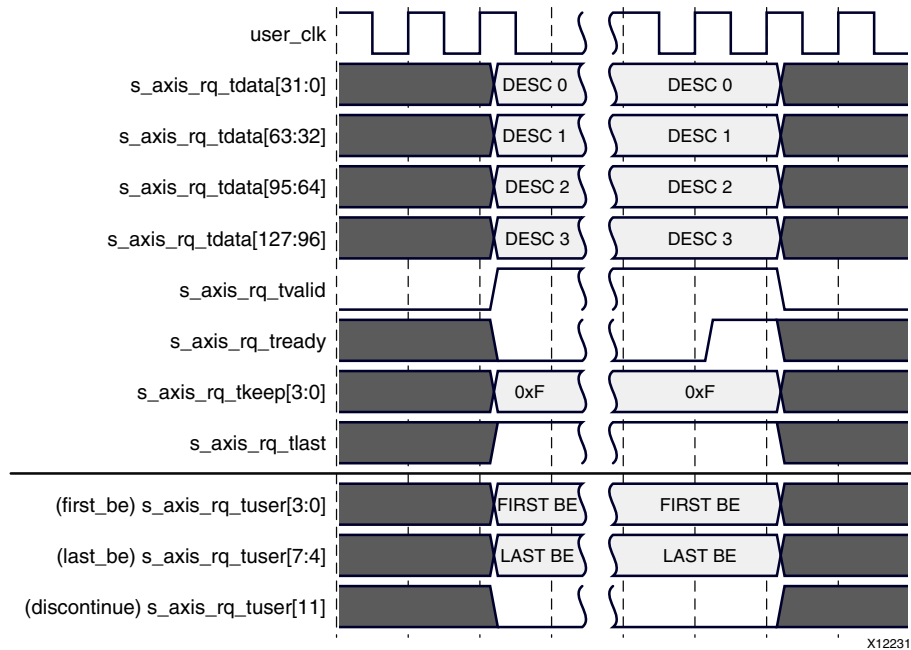


Figure 3-43: Memory Read Transaction on the Requester Request Interface (Interface Width = 128 Bits)

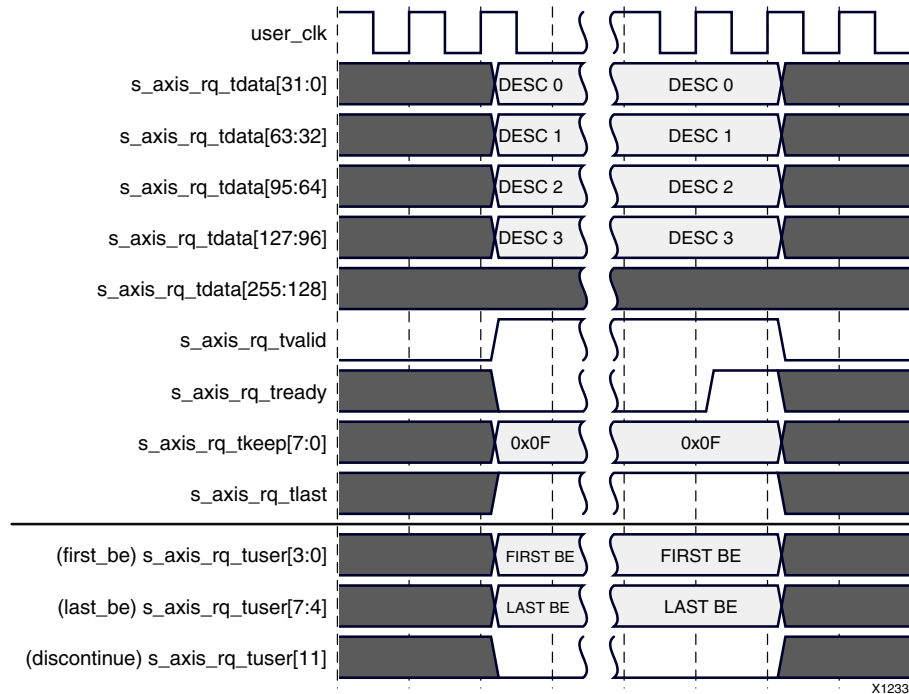


Figure 3-44: Memory Read Transaction on the Requester Request Interface (Interface Width = 256 Bits)

Non-Posted Transactions with a Payload

The transfer of a Non-Posted request with payload (an I/O write request, Configuration write request, or Atomic Operation request) is similar to the transfer of a memory request, with the following changes in how the payload is aligned on the datapath:

- In the Dword-aligned mode, the first Dword of the payload follows the last Dword of the descriptor, with no gaps between them.
- In the address-aligned mode, the payload must start in the beat following the last Dword of the descriptor. The payload can start at any Dword position on the datapath. The offset of its first Dword must be specified using the `addr_offset[2:0]` signal.

For I/O and Configuration write requests, the valid bytes in the one-Dword payload must be indicated using `first_be[3:0]`. For Atomic Operation requests, all bytes in the first and last Dwords are assumed valid.

Message Requests on the Requester Interface

The transfer of a message on the RQ interface is similar to that of a memory write request, except that a payload might not always be present. The transfer starts with the 128-bit descriptor, followed by the payload, if present. When the Dword-aligned mode is in use, the first Dword of the payload must immediately follow the descriptor. When the address-alignment mode is in use, the payload must start in the beat following the descriptor, and must be aligned to byte lane 0. The `addr_offset` input to the Integrated

Block must be set to 0 for messages when the address-aligned mode is in use. The Integrated Block determines the end of the payload from `s_axis_rq_tlast` and `s_axis_rq_tkeep` signals. The First Byte Enable and Last Byte Enable bits (`first_be` and `last_be`) are not used for message requests.

Aborting a Transfer

For any request that includes an associated payload, the client can abort the request at any time during the transfer of the payload by asserting the `discontinue` signal in the `s_axis_rq_tuser` bus. The Integrated Block nullifies the corresponding TLP on the link to avoid data corruption.

The client can assert this signal in any cycle during the transfer, when the request being transferred has an associated payload. The client can either choose to terminate the packet prematurely in the cycle where the error was signaled (by asserting `s_axis_rq_tlast`), or can continue until all bytes of the payload are delivered to the Integrated Block. In the latter case, the Integrated Block treats the error as sticky for the following beats of the packet, even if the client deasserts the `discontinue` signal before reaching the end of the packet.

The `discontinue` signal can be asserted only when `s_axis_rq_tvalid` is High. The Integrated Block samples this signal when `s_axis_rq_tvalid` and `s_axis_rq_tready` are both High. Thus, after assertion, the `discontinue` signal should not be deasserted until `s_axis_rq_tready` is High.

When the Integrated Block is configured as an Endpoint, this error is reported by the Integrated Block to the Root Complex it is attached to, as an Uncorrectable Internal Error using the Advanced Error Reporting (AER) mechanisms.

Tag Management for Non-Posted Transactions

The requester side of the Integrated Block maintains the state of all pending Non-Posted transactions (memory reads, I/O reads and writes, configuration reads and writes, Atomic Operations) initiated by the client, so that the completions returned by the targets can be matched against the corresponding requests. The state of each outstanding transaction is held in a Split Completion Table in the requester side of the interface, which has a capacity of 64 Non-Posted transactions. The returning Completions are matched with the pending requests using a 6-bit tag. There are two options for management of these tags.

- **Internal Tag Management:** This mode of operation is selected by setting the `AXISTEN_IF_ENABLE_CLIENT_TAG` parameter to `FALSE`, which is the default setting for the core. In this mode, logic within the Integrated Block is responsible for allocating the tag for each Non-Posted request initiated from the requester side. The Integrated Block maintains a list of free tags and assigns one of them to each request when the client initiates a Non-Posted transaction, and communicates the assigned tag value to the client via the output `pcie_rq_tag[5:0]`. The value on this bus is valid when the Integrated Block asserts `pcie_rq_tag_vld`. The client logic must copy this tag so

that any Completions delivered by the Integrated Block in response to the request can be matched to the request.

In this mode, logic within the Integrated Block checks for the Split Completion Table full condition, and backpressures a Non-Posted request from the client (using `s_axis_rq_tready`) if the total number of Non-Posted requests currently outstanding has reached its limit (64).

- **External Tag Management:** This mode of operation is selected by setting the `AXISTEN_IF_ENABLE_CLIENT_TAG` parameter to 1. In this mode, the client logic is responsible for allocating the tag for each Non-Posted request initiated from the requester side. The client logic must choose the tag value without conflicting with the tags of all other Non-Posted transactions outstanding at that time, and must communicate this chosen tag value to the Integrated Block via the request descriptor. The Integrated Block still maintains the outstanding requests in its Split Completion Table and matches the incoming Completions to the requests, but does not perform any checks for the uniqueness of the tags, or for the Split Completion Table full condition.

When internal tag management is in use, the Integrated Block asserts `pcie_rq_tag_vld` for one cycle for each Non-Posted request, after it has placed its allocated tag on `pcie_rq_tag[5:0]`. There can be a delay of several cycles between the transfer of the request on the RQ interface and the assertion of `pcie_rq_tag_vld` by the Integrated Block to provide the allocated tag for the request. The client can, meanwhile, continue to send new requests. The tags for requests are communicated on the `pcie_rq_tag` bus in FIFO order, so it is easy for the client to associate the tag value with the request it transferred. A tag is reused when the EOF of the last completion of a split completion is accepted by the client.

Avoiding Head-of-Line Blocking for Posted Requests

The Integrated Block can hold a Non-Posted request received on its RQ interface for lack of transmit credit or lack of available tags. This could potentially result in head-of-line (HOL) blocking for Posted transactions. The Integrated Block provides a mechanism for the client logic to avoid this situation through these signals:

- `pcie_tfc_nph_av[1:0]`: These outputs indicate the Header Credit currently available for Non-Posted requests, where:
 - 00 = no credit available
 - 01 = 1 credit
 - 10 = 2 credits
 - 11 = 3 or more credits

- `pcie_tfc_npd_av[1:0]`: These outputs indicate the Data Credit currently available for Non-Posted requests, where:
 - 00 = no credit available
 - 01 = 1 credit
 - 10 = 2 credits
 - 11 = 3 or more credits

The client logic can optionally check these outputs before transmitting Non-Posted requests. Because of internal pipeline delays, the information on these outputs is delayed by two user clock cycles from the cycle in which the last byte of the descriptor is transferred on the RQ interface. Thus the client logic must adjust these values, taking into account any Non-Posted requests transmitted in the two previous clock cycles. Figure 3-45 illustrates the operation of these signals for the 256-bit interface. In this example, the Integrated Block initially had three Non-Posted Header Credits and two Non-Posted Data Credits, and had three free tags available for allocation. Request 1 from the client had a one-Dword payload, and therefore consumed one header and data credit each, and also one tag. Request 2 in the next clock cycle consumed one header credit, but no data credit. When the client presents Request 3 in the following clock cycle, it must adjust the available credit and available tag count by taking into account requests 1 and 2. If Request 3 consumes one header credit and one data credit, both available credits are 0 two cycles later, as also the number of available tags.

Figure 3-46 and Figure 3-47 illustrate the timing of the credit and tag available signals for the same example, for interface width of 128 bits and 64 bits, respectively.

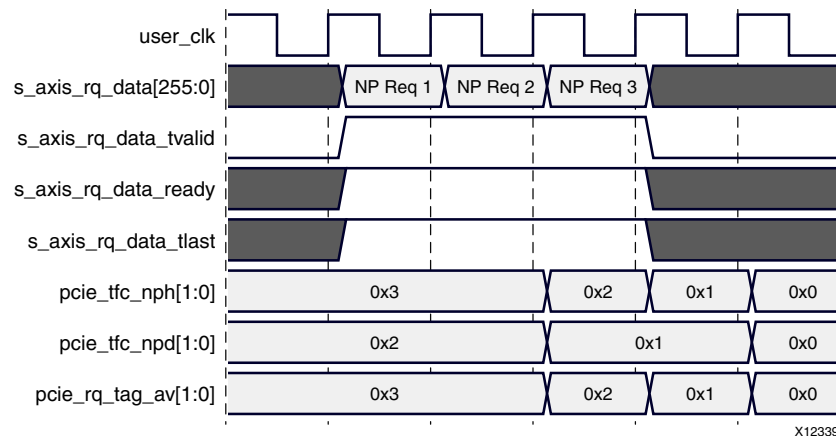


Figure 3-45: Credit and Tag Availability Signals on the Requester Request Interface (Interface Width = 256 Bits)

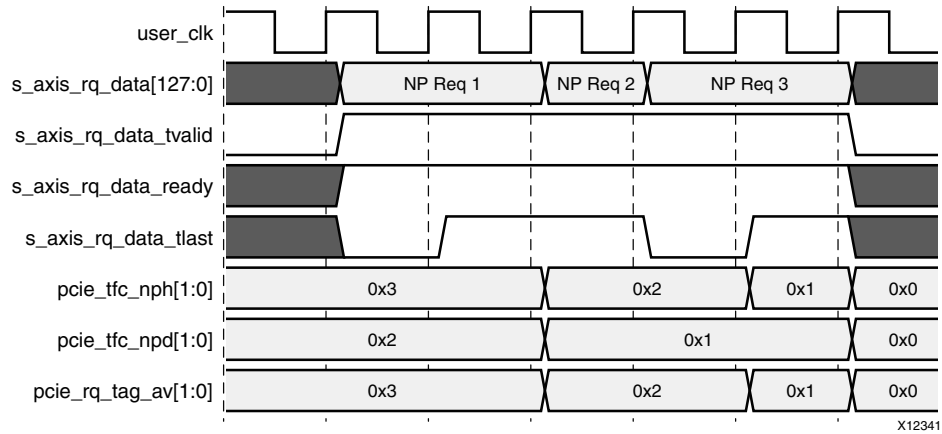


Figure 3-46: Credit and Tag Availability Signals on the Requester Request Interface (Interface Width = 128 Bits)

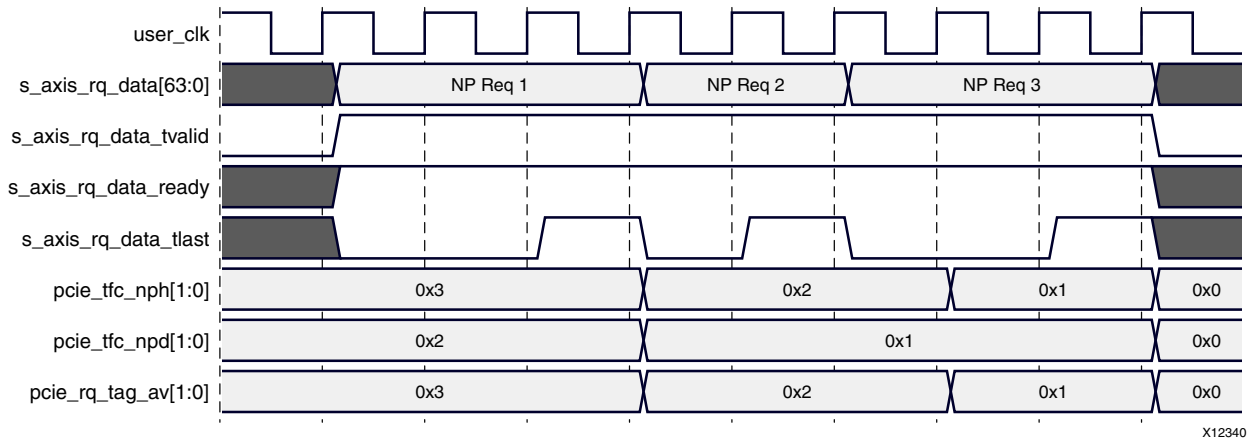


Figure 3-47: Credit and Tag Availability Signals on the Requester Request Interface (Interface Width = 64 Bits)

Maintaining Transaction Order

The Integrated Block does not change the order of requests received from the client on its requester interface when it transmits them on the link. In cases where the client would like to have precise control of the order of transactions sent on the RQ interface and the CC interface (typically to avoid Completions from passing Posted requests when using strict ordering), the Integrated Block provides a mechanism for the client to monitor the progress of a Posted transaction through its pipeline, so that it can determine when to schedule a Completion on the completer completion interface without the risk of passing a specific Posted request transmitted from the requester request interface,

When transferring a Posted request (memory write transactions or messages) across the requester request interface, the client can provide an optional 4-bit sequence number to the Integrated Block on its `seq_num[3:0]` input within `s_axis_rq_tuser`. The sequence

number must be valid in the first beat of the packet. The client can then monitor the `pcie_rq_seq_num[3:0]` output of the core for this sequence number to appear. When the transaction has reached a stage in the internal transmit pipeline of the Integrated Block where a Completion cannot pass it, the Integrated Block asserts `pcie_rq_seq_num_valid` for one cycle and provides the sequence number of the Posted request on the `pcie_rq_seq_num[3:0]` output. Any Completions transmitted by the Integrated Block after the sequence number has appeared on `pcie_rq_seq_num[3:0]` cannot pass the Posted request in the internal transmit pipeline.

Requester Completion Interface Operation

Completions for requests generated by client logic are presented on the Integrated Block's Request Completion (RC) interface. See Figure 3-48 for an illustration of signals associated with the requester completion interface. When straddle is not enabled, the Integrated Block delivers each TLP on this interface as an AXI4-Stream packet. The packet starts with a 96-bit descriptor, followed by data in the case of Completions with a payload.

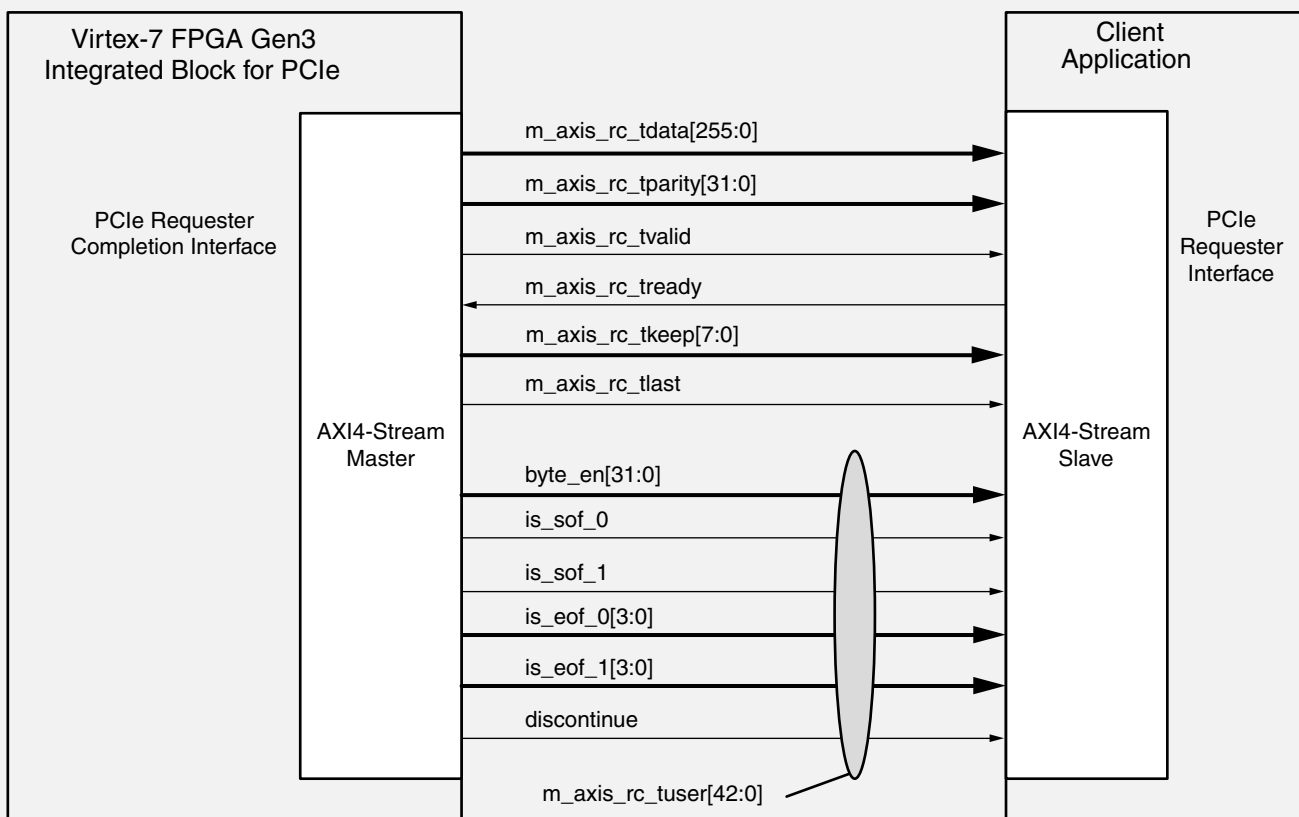


Figure 3-48: Requester Completion Interface

The RC interface supports two distinct data alignment modes for transferring payloads, selected by the `AXISTEN_IF_RC_ALIGNMENT_MODE` parameter. In the Dword-aligned mode, the Integrated Block transfers the first Dword of the Completion payload

immediately after the last Dword of the descriptor. In the address-aligned mode, the Integrated Block starts the payload transfer in the beat following the last Dword of the descriptor, and its first Dword can be in any of the possible Dword positions on the datapath. The alignment of the first Dword of the payload is determined by address offset provided by the client when it sent the request to the Integrated Block (that is, the setting of the `addr_offset [2:0]` input of the RQ interface). Thus, the address-aligned mode can be used on the RC interface only if the RQ interface is also configured to use the address-aligned mode.

Requester Completion Descriptor Format

The RC interface of the Integrated Block sends completion data received from the link to the client application as AXI4-Stream packets. Each packet starts with a descriptor and can have payload data following the descriptor. The descriptor is always 12 bytes long, and is sent in the first 12 bytes of the completion packet. The descriptor is transferred during the first two beats on a 64-bit interface, and in the first beat on a 128- or 256-bit interface. When the completion data is split into multiple Split Completions, the Integrated Block sends each Split Completion as a separate AXI4-Stream packet, with its own descriptor.

The format of the Requester Completion descriptor is illustrated in Figure 3-49. The individual fields of the RC descriptor are described in Table 3-10.

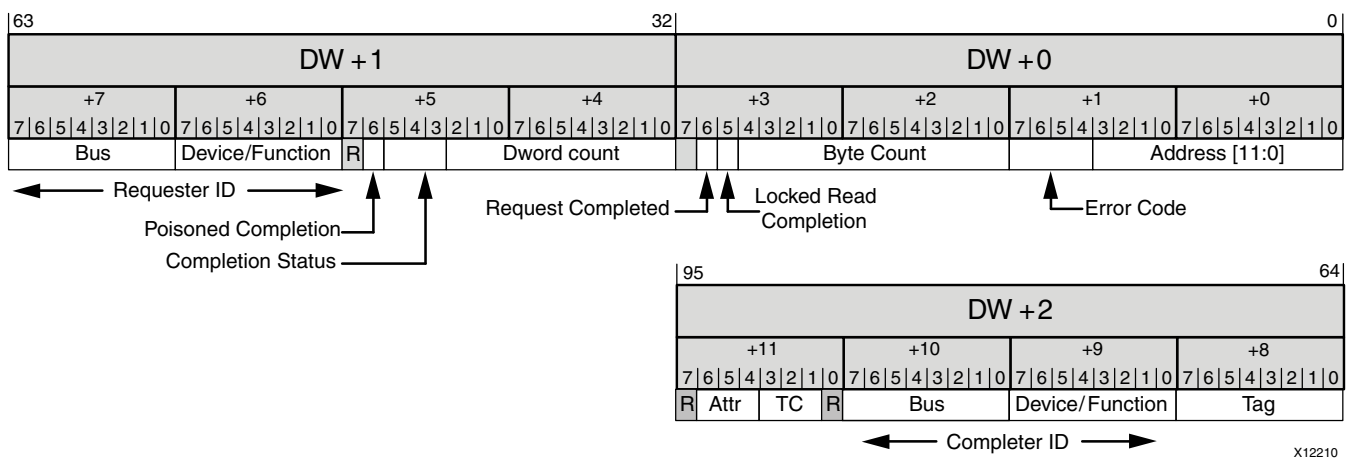


Figure 3-49: Requester Completion Descriptor Format

Table 3-10: Requester Completion Descriptor Fields

Bit Index	Field Name	Description
11:0	Lower Address	This field provides the 12 least significant bits of the first byte referenced by the request. The Integrated Block returns this address from its Split Completion Table, where it stores the address and other parameters of all pending Non-Posted requests on the requester side. When the Completion delivered has an error, only bits [6:0] of the address should be considered valid. This is a byte-level address.

Table 3-10: Requester Completion Descriptor Fields (Cont'd)

Bit Index	Field Name	Description
15:12	Error Code	<p>Completion error code. These three bits encode error conditions detected from error checking performed by the Integrated Block on received Completions. Its encodings are:</p> <ul style="list-style-type: none"> • 0000: Normal termination (all data received). • 0001: The Completion TLP is Poisoned. • 0010: Request terminated by a Completion with UR, CA or CRS status. • 0011: Request terminated by a Completion with no data, or the byte count in the Completion was higher than the total number of bytes expected for the request. • 0100: The current Completion being delivered has the same tag of an outstanding request, but its Requester ID, TC, or Attr fields did not match with the parameters of the outstanding request. • 0101: Error in starting address. The low address bits in the Completion TLP header did not match with the starting address of the next expected byte for the request. • 0110: Invalid tag. This Completion does not match the tags of any outstanding request. • 1001: Request terminated by a Completion timeout. The other fields in the descriptor, except bit [30], the requester Function [55:48], and the tag field [71:64], are invalid in this case, because the descriptor does not correspond to a Completion TLP. • 1000: Request terminated by a Function-Level Reset (FLR) targeted at the Function that generated the request. The other fields in the descriptor, except bit [30], the requester Function [55:48], and the tag field [71:64], are invalid in this case, because the descriptor does not correspond to a Completion TLP.
28:16	Byte Count	<p>These 13 bits can have values in the range of 0 – 4096 bytes. If a Memory Read Request is completed using a single Completion, the Byte Count value indicates Payload size in bytes. This field must be set to 4 for I/O read Completions and I/O write Completions. The byte count must be set to 1 while sending a Completion for a zero-length memory read, and a dummy payload of 1 Dword must follow the descriptor.</p> <p>For each Memory Read Completion, the Byte Count field must indicate the remaining number of bytes required to complete the Request, including the number of bytes returned with the Completion.</p> <p>If a Memory Read Request is completed using multiple Completions, the Byte Count value for each successive Completion is the value indicated by the preceding Completion minus the number of bytes returned with the preceding Completion.</p>
29	Locked Read Completion	<p>This bit is set to 1 when the Completion is in response to a Locked Read request. It is set to 0 for all other Completions.</p>

Table 3-10: Requester Completion Descriptor Fields (Cont'd)

Bit Index	Field Name	Description
30	Request Completed	The Integrated Block asserts this bit in the descriptor of the last Completion of a request. The assertion of the bit can indicate normal termination of the request (because all data has been received) or abnormal termination because of an error condition. The client logic can use this indication to clear its outstanding request status. When tags are assigned by the client, the client logic should not re-assign a tag allocated to a request until it has received a Completion Descriptor from the Integrated Block with a matching tag field and the Request Completed bit set to 1.
42:32	Dword Count	These 11 bits indicate the size of the payload of the current packet in Dwords. Its range is 0 - 1K Dwords. This field is set to 1 for I/O read Completions and 0 for I/O write Completions. The Dword count is also set to 1 while transferring a Completion for a zero-length memory read. In all other cases, the Dword count corresponds to the actual number of Dwords in the payload of the current packet.
45:43	Completion Status	These bits reflect the setting of the Completion Status field of the received Completion TLP. The valid settings are: <ul style="list-style-type: none"> • 000: Successful Completion • 001: Unsupported Request (UR) • 010: Configuration Request Retry Status (CRS) • 100: Completer Abort (CA)
46	Poisoned Completion	This bit is set to indicate that the Poison bit in the Completion TLP was set. Data in the packet should then be considered corrupted.
63:48	Requester ID	PCI Requester ID associated with the Completion.
71:64	Tag	PCIe Tag associated with the Completion.
87:72	Completer ID	Completer ID received in the Completion TLP. (These 16 bits are divided into an 8-bit bus number, 5-bit device number, and 3-bit function number in the legacy interpretation mode. In the ARI mode, these 16 bits must be treated as an 8-bit bus number + 8-bit Function number.)
91:89	Transaction Class (TC)	PCIe Transaction Class (TC) associated with the Completion.
94:92	Attributes	PCIe attributes associated with the Completion. Bit 92 is the No Snoop bit, bit 93 is the Relaxed Ordering bit, and bit 94 is the ID-Based Ordering bit.

Transfer of Completions with no Data

The timing diagrams in [Figure 3-50](#), [Figure 3-51](#), and [Figure 3-52](#) illustrate the transfer of a Completion TLP received from the link with no associated payload across the RC interface, when the interface width is configured as 64, 128, and 256 bits, respectively. The timing diagrams in this section assume that the Completions are not straddled on the 256-bit interface. The straddle feature is described in [Straddle Option for 256-Bit Interface](#), page 149.

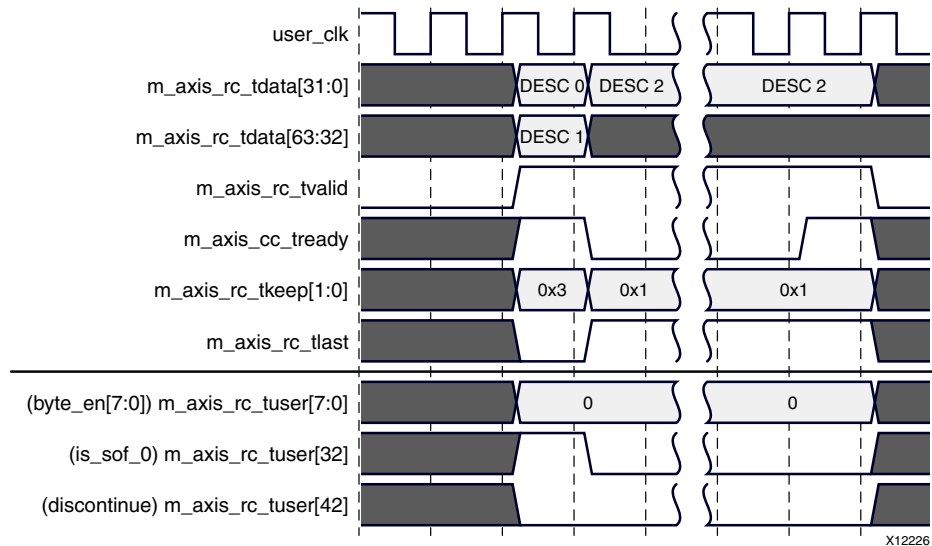


Figure 3-50: Transfer of a Completion with no Data on the Requester Completion Interface (Interface Width = 64 Bits)

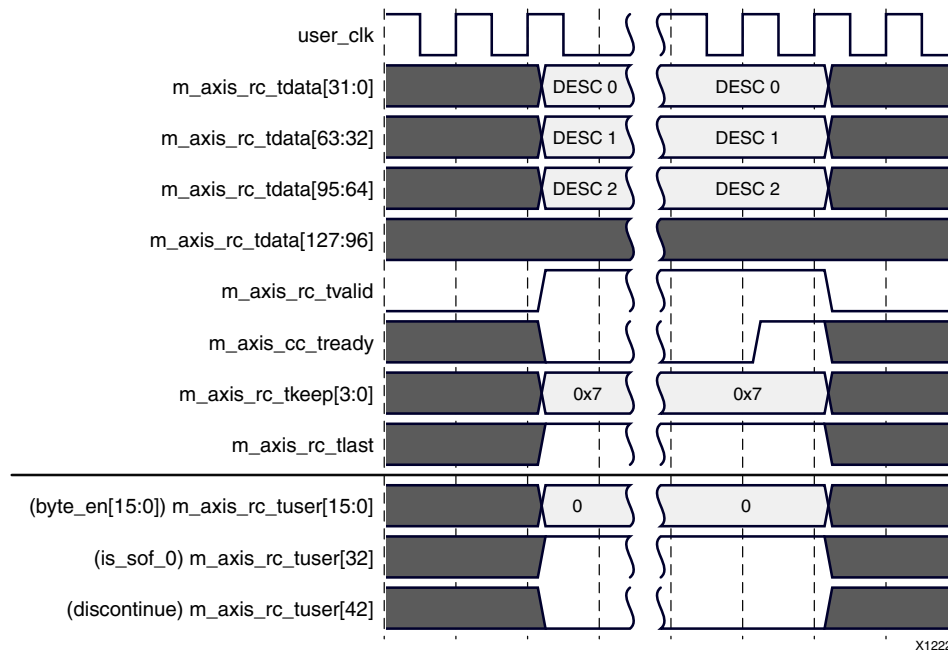


Figure 3-51: Transfer of a Completion with no Data on the Requester Completion Interface (Interface Width = 128 Bits)

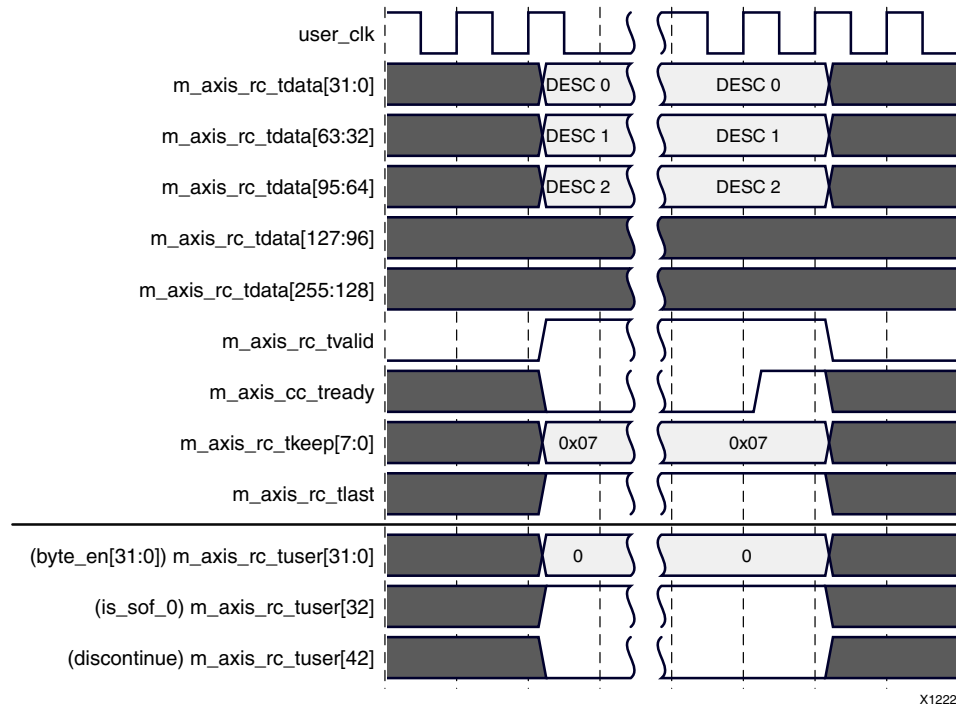


Figure 3-52: Transfer of a Completion with no Data on the Requester Completion Interface (Interface Width = 256 Bits)

The entire transfer of the Completion TLP takes only a single beat on the 256- and 128-bit interfaces, and two beats on the 64-bit interface. The Integrated Block keeps the `m_axis_rc_tvalid` signal asserted over the duration of the packet. The client can prolong a beat at any time by deasserting `m_axis_rc_tready`. The AXI4-Stream interface signals `m_axis_rc_tkeep` (one per Dword position) indicate the valid descriptor Dwords in the packet. That is, the `tkeep` bits are set to 1 contiguously from the first Dword of the descriptor until its last Dword. During the transfer of a packet, the `tkeep` bits can be 0 only in the last beat of the packet. The `m_axis_cq_tlast` signal is always asserted in the last beat of the packet.

The `m_axi_cq_tuser` bus also includes an `is_sof_0` signal, which is asserted in the first beat of every packet. The client can optionally use this signal to qualify the start of the descriptor on the interface. No other signals within `m_axi_cq_tuser` are relevant to the transfer of Completions with no data, when the straddle option is not in use.

Transfer of Completions with Data

The timing diagrams in [Figure 3-53](#), [Figure 3-54](#), and [Figure 3-55](#) illustrate the Dword-aligned transfer of a Completion TLP received from the link with an associated payload across the RC interface, when the interface width is configured as 64, 128, and 256 bits, respectively. For illustration purposes, the size of the data block being written into client memory is assumed to be n Dwords, for some $n = k * 32 + 28, k > 0$. The timing diagrams in this section assume that the Completions are not straddled on the 256-bit interface. The straddle feature is described in [Straddle Option for 256-Bit Interface](#), page 149.

In the Dword-aligned mode, the transfer starts with the three descriptor Dwords, followed immediately by the payload Dwords. The entire TLP, consisting of the descriptor and payload, is transferred as a single AXI4-Stream packet. Data within the payload is always a contiguous stream of bytes when the length of the payload exceeds two Dwords. The positions of the first valid byte within the first Dword of the payload and the last valid byte in the last Dword can then be determined from the Lower Address and Byte Count fields of the Request Completion Descriptor. When the payload size is two Dwords or less, the valid bytes in the payload cannot be contiguous. In these cases, the client must store the First Byte Enable and the Last Byte Enable fields associated with each request sent out on the RQ interface and use them to determine the valid bytes in the completion payload. The client can optionally use the byte enable outputs `byte_en[31:0]` within the `m_axi_cq_tuser` bus to determine the valid bytes in the payload, in the cases of contiguous as well as non-contiguous payloads.

The Integrated Block keeps the `m_axis_rc_tvalid` signal asserted over the entire duration of the packet. The client can prolong a beat at any time by deasserting `m_axis_rc_tready`. The AXI4-Stream interface signals `m_axis_rc_tkeep` (one per Dword position) indicate the valid Dwords in the packet including the descriptor and any null bytes inserted between the descriptor and the payload. That is, the `tkeep` bits are set to 1 contiguously from the first Dword of the descriptor until the last Dword of the payload. During the transfer of a packet, the `tkeep` bits can be 0 only in the last beat of the packet, when the packet does not fill the entire width of the interface. The `m_axis_rc_tlast` signal is always asserted in the last beat of the packet.

The `m_axi_rc_tuser` bus provides several informational signals that can be used to simplify the logic associated with the client side of the interface, or to support additional features. The `is_sof_0` signal is asserted in the first beat of every packet, when its descriptor is on the bus. The byte enable outputs `byte_en[31:0]` (one per byte lane) indicate the valid bytes in the payload. These signals are asserted only when a valid payload byte is in the corresponding lane (it is not asserted for descriptor or null bytes). The asserted byte enable bits are always contiguous from the start of the payload, except when payload size is 2 Dwords or less. For Completion payloads of two Dwords or less, the 1s on `byte_en` might not be contiguous. Another special case is that of a zero-length memory read, when the Integrated Block transfers a one-Dword payload with the `byte_en` bits all set to 0. Thus, the client logic can, in all cases, use the `byte_en` signals directly to enable the writing of the associated bytes into memory.

The `is_sof_1`, `is_eof_0[3:0]`, and `is_eof_1[3:0]` signals within the `m_axis_rc_tuser` bus are not to be used for 64-bit and 128-bit interfaces, and for 256-bit interfaces when the straddle option is not enabled.

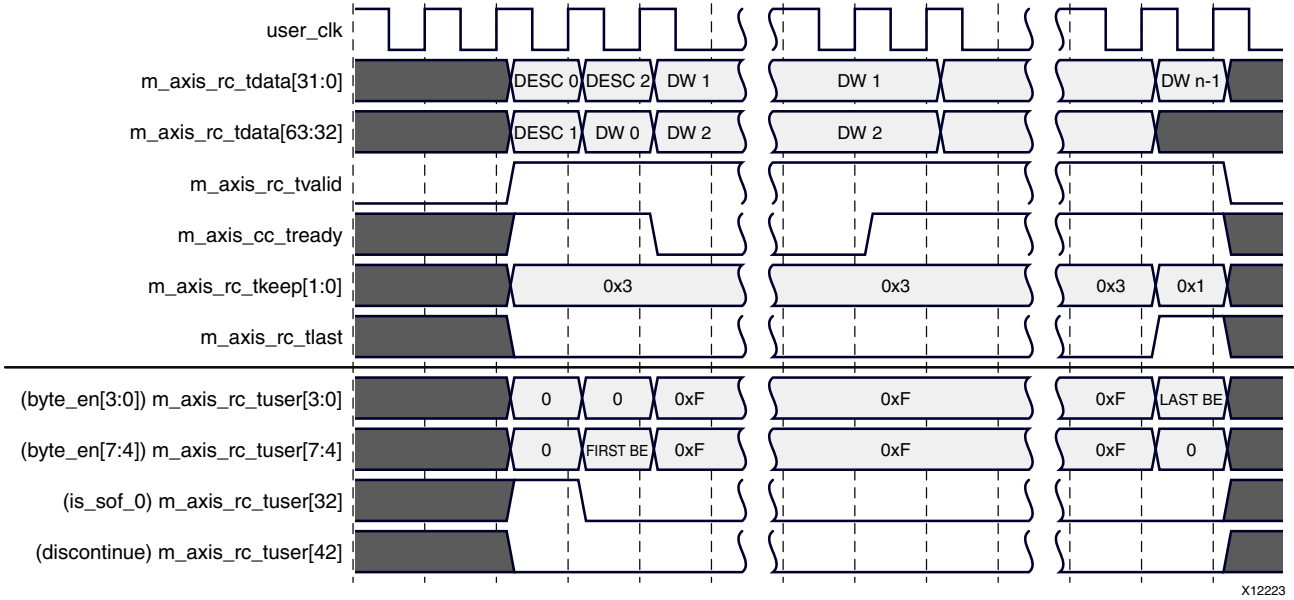


Figure 3-53: Transfer of a Completion with Data on the Requester Completion Interface (Dword-Aligned Mode, Interface Width = 64 Bits)

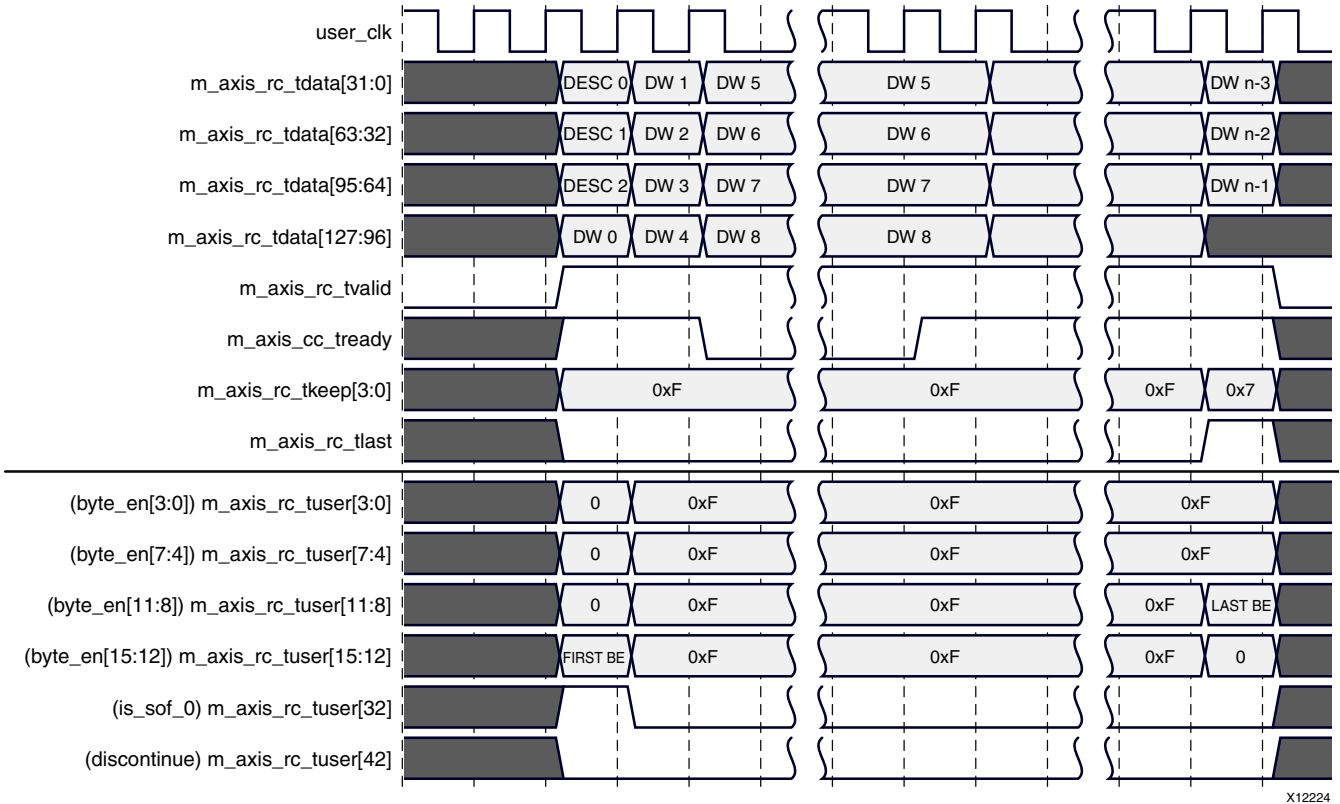


Figure 3-54: Transfer of a Completion with Data on the Requester Completion Interface (Dword-Aligned Mode, Interface Width = 128 Bits)

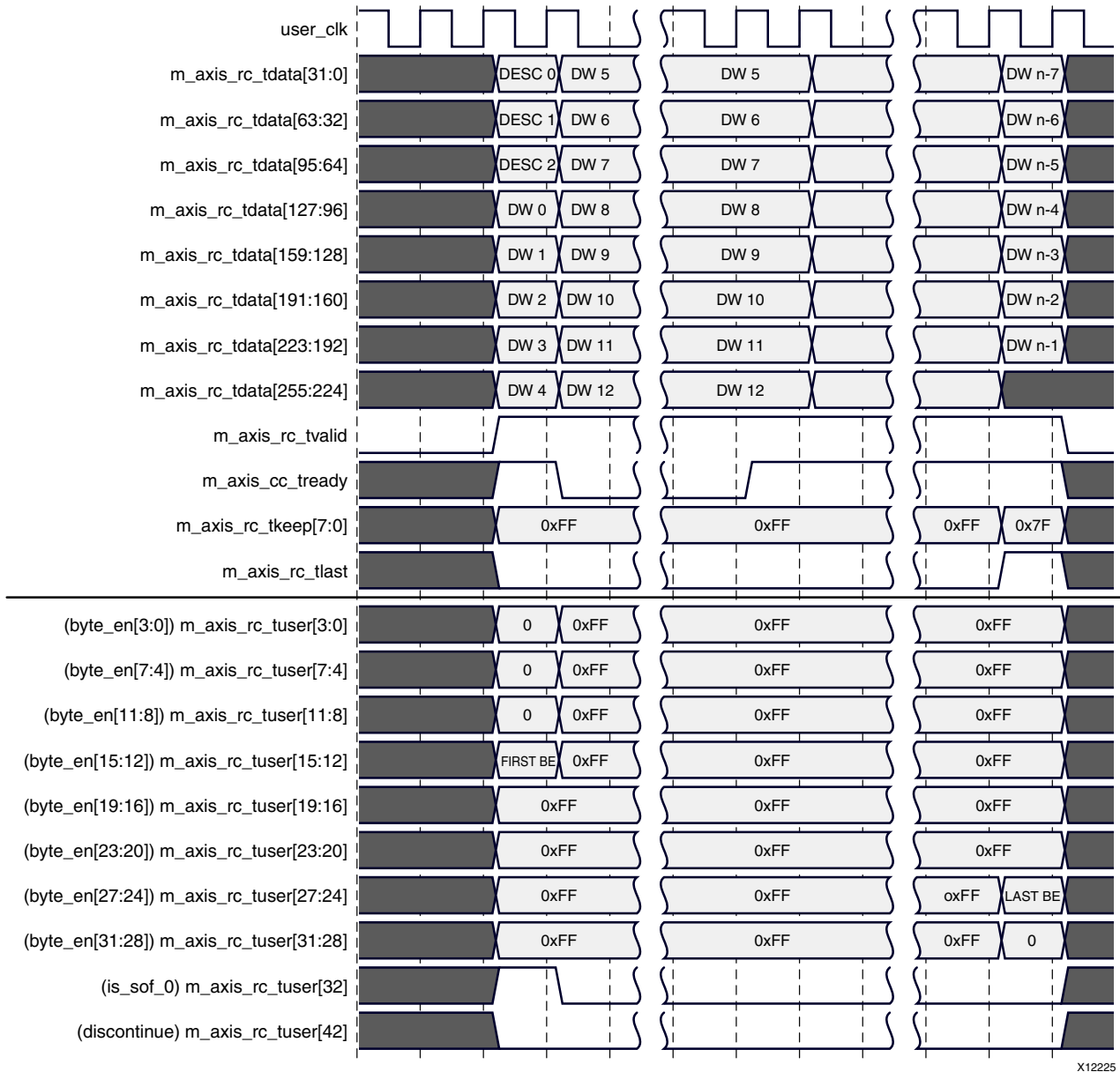
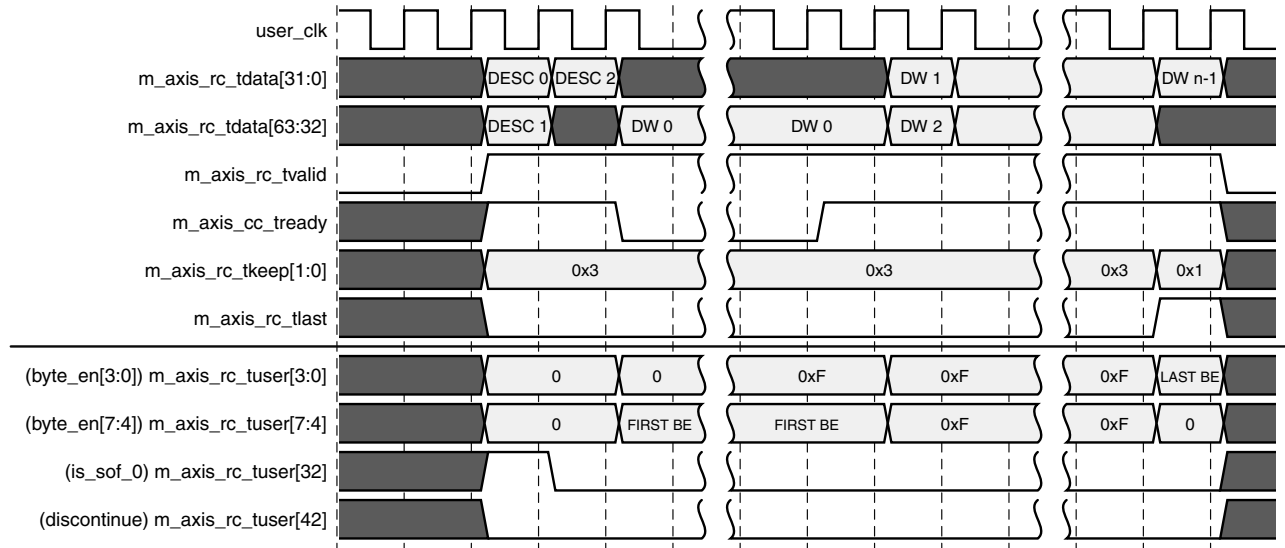


Figure 3-55: Transfer of a Completion with Data on the Requester Completion Interface (Dword-Aligned Mode, Interface Width = 256 Bits)

The timing diagrams in [Figure 3-56](#), [Figure 3-57](#), and [Figure 3-58](#) illustrate the address-aligned transfer of a Completion TLP received from the link with an associated payload across the RC interface, when the interface width is configured as 64, 128, and 256 bits, respectively. In the example timing diagrams, the starting Dword address of the data block being transferred (as conveyed in bits [6:2] of the Lower Address field of the descriptor) is assumed to be $(m * 8 + 1)$, for an integer m . The size of the data block is assumed to be n Dwords, for some $n = k * 32 + 28, k > 0$. The straddle option is not valid for address-aligned transfers, so the timing diagrams assume that the Completions are not straddled on the 256-bit interface.

X12225

In the address-aligned mode, the delivery of the payload always starts in the beat following the last byte of the descriptor. The first byte of the payload can appear on any byte lane, based on the address of the first valid byte of the payload. The t_{keep} bits are set to 1 contiguously from the first Dword of the descriptor until the last Dword of the payload. The alignment of the first Dword on the data bus is determined by the setting of the $addr_offset[2:0]$ input of the requester request interface when the client sent the request to the Integrated Block. The client can optionally use the byte enable outputs $byte_en[31:0]$ to determine the valid bytes in the payload.



X12220

Figure 3-56: Transfer of a Completion with Data on the Requester Completion Interface (Address-Aligned Mode, Interface Width = 64 Bits)

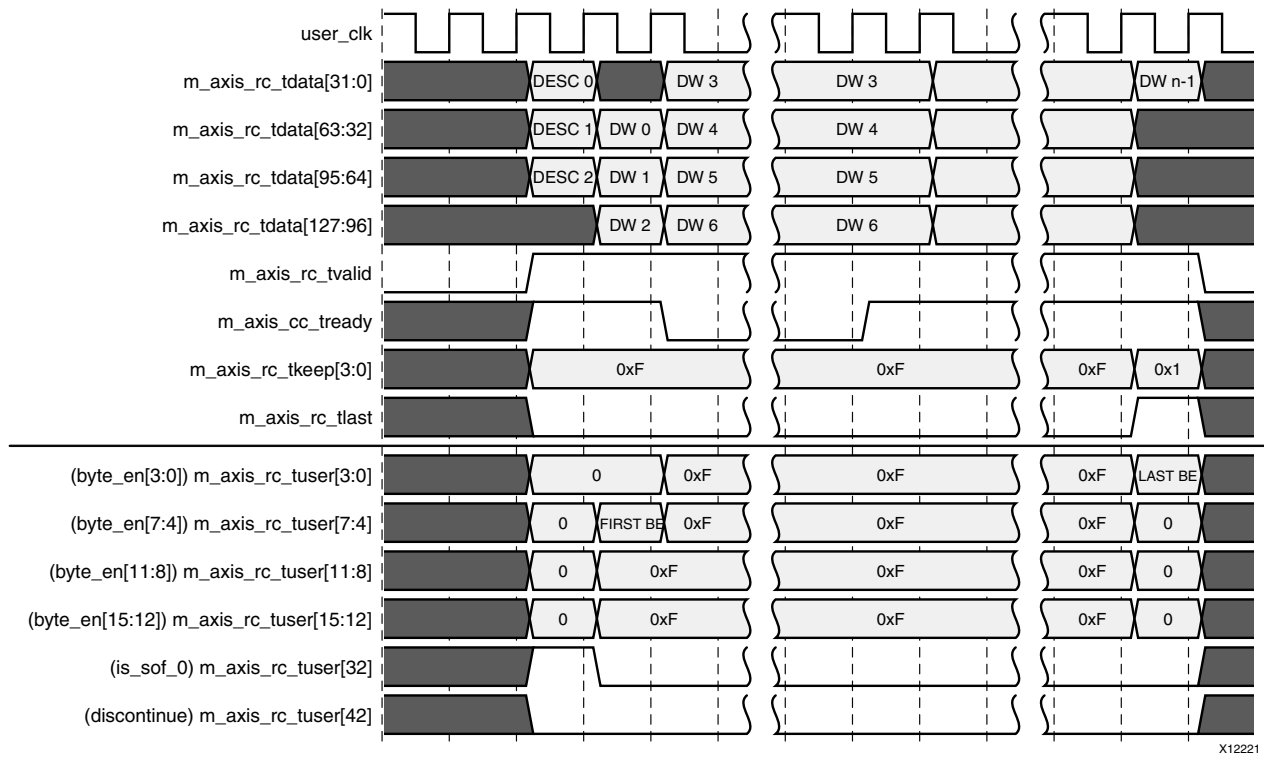


Figure 3-57: Transfer of a Completion with Data on the Requester Completion Interface (Address-Aligned Mode, Interface Width = 128 Bits)

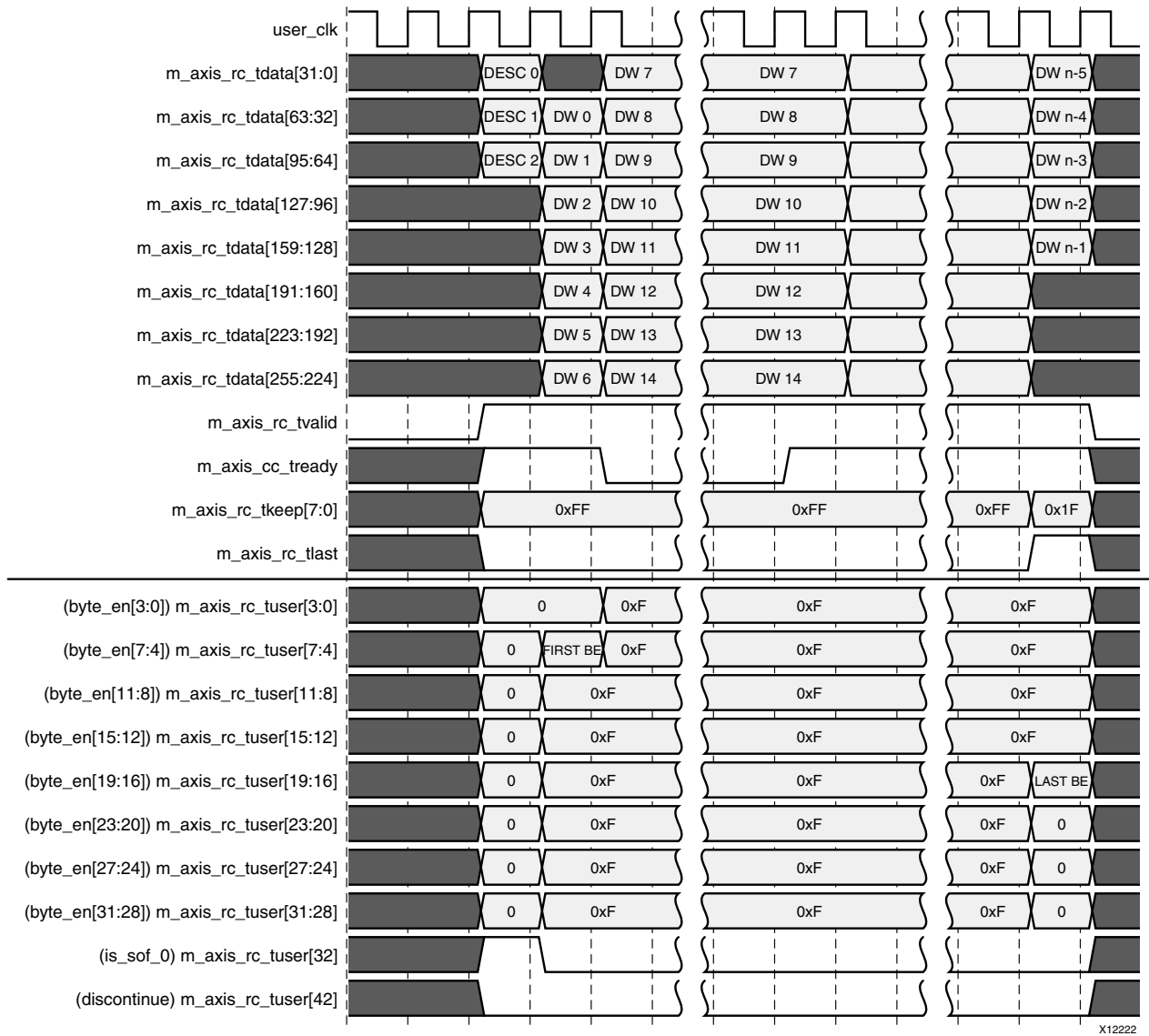


Figure 3-58: Transfer of a Completion with Data on the Requester Completion Interface (Address-Aligned Mode, Interface Width = 256 Bits)

Straddle Option for 256-Bit Interface

When the interface width is configured as 256 bits, the Integrated Block can start a new Completion transfer on the RC interface in the same beat when the previous Completion has ended on or before Dword position 3 on the data bus. This straddle option is enabled by setting the `AXISTEN_IF_RC_STRADDLE` parameter. The straddle option can be used only with the Dword-aligned mode.

When the straddle option is enabled, Completion TLPs are transferred on the RC interface as a continuous stream, with no packet boundaries (from an AXI4-Stream perspective). Thus, the `m_axis_rc_tkeep` and `m_axis_rc_tlast` signals are not useful in

determining the boundaries of Completion TLPs delivered on the interface (the Integrated Block sets `m_axis_rc_tkeep` to all 1s and `m_axis_rc_tlast` to 0 permanently when the straddle option is in use). Instead, delineation of TLPs is performed using the following signals provided within the `m_axis_rc_tuser` bus:

- `is_sof_0`: The Integrated Block drives this output High in a beat when there is at least one Completion TLP starting in the beat. The position of the first byte of this Completion TLP is determined as follows:
 - If the previous Completion TLP ended before this beat, the first byte of this Completion TLP is in byte lane 0.
 - If a previous TLP is continuing in this beat, the first byte of this Completion TLP is in byte lane 16. This is possible only when the previous TLP ends in the current beat, that is when `is_eof_0[0]` is also set.
- `is_sof_1`: The Integrated Block asserts this output in a beat when there are two Completion TLPs starting in the beat. The first TLP always starts at byte position 0 and the second TLP at byte position 16. The Integrated Block starts a second TLP at byte position 16 only if the previous TLP ended before byte position 16 in the same beat, that is only if `is_eof_0[0]` is also set in the same beat.
- `is_eof_0[3:0]`: These outputs are used to indicate the end of a Completion TLP and the position of its last Dword on the data bus. The assertion of the bit `is_eof_0[0]` indicates that there is at least one Completion TLP ending in this beat. When bit 0 of `is_eof_0` is set, bits [3:1] provide the offset of the last Dword of the TLP ending in this beat. The offset for the last byte can be determined from the starting address and length of the TLP, or from the byte enable signals `byte_en[31:0]`. When there are two Completion TLPs ending in a beat, the setting of `is_eof_0[3:1]` is the offset of the last Dword of the first Completion TLP (in that case, its range is 0 through 3).
- `is_eof_1[3:0]`: The assertion of `is_eof_1[0]` indicates a second TLP ending in the same beat. When bit 0 of `is_eof_1` is set, bits [3:1] provide the offset of the last Dword of the second TLP ending in this beat. Because the second TLP can start only on byte lane 16, it can only end at a byte lane in the range 27–31. Thus the offset `is_eof_1[3:1]` can only take one of two values: 6 or 7. If `is_sof_1[0]` is High, the signals `is_eof_0[0]` and `is_sof_0` are also High in the same beat. If `is_sof_1` is High, `is_sof_0` is High. If `is_eof_1` is High, `is_eof_0` is High.

The timing diagram in [Figure 3-59](#) illustrates the transfer of four Completion TLPs on the 256-bit RC interface when the straddle option is enabled. The first Completion TLP (COMPL 1) starts at Dword position 0 of Beat 1 and ends in Dword position 0 of Beat 3. The second TLP (COMPL 2) starts in Dword position 4 of the same beat. This second TLP has only a one-Dword payload, so it also ends in the same beat. The third and fourth Completion TLPs are transferred completely in Beat 4, because Completion 3 has only a one-Dword payload and Completion 4 has no payload.

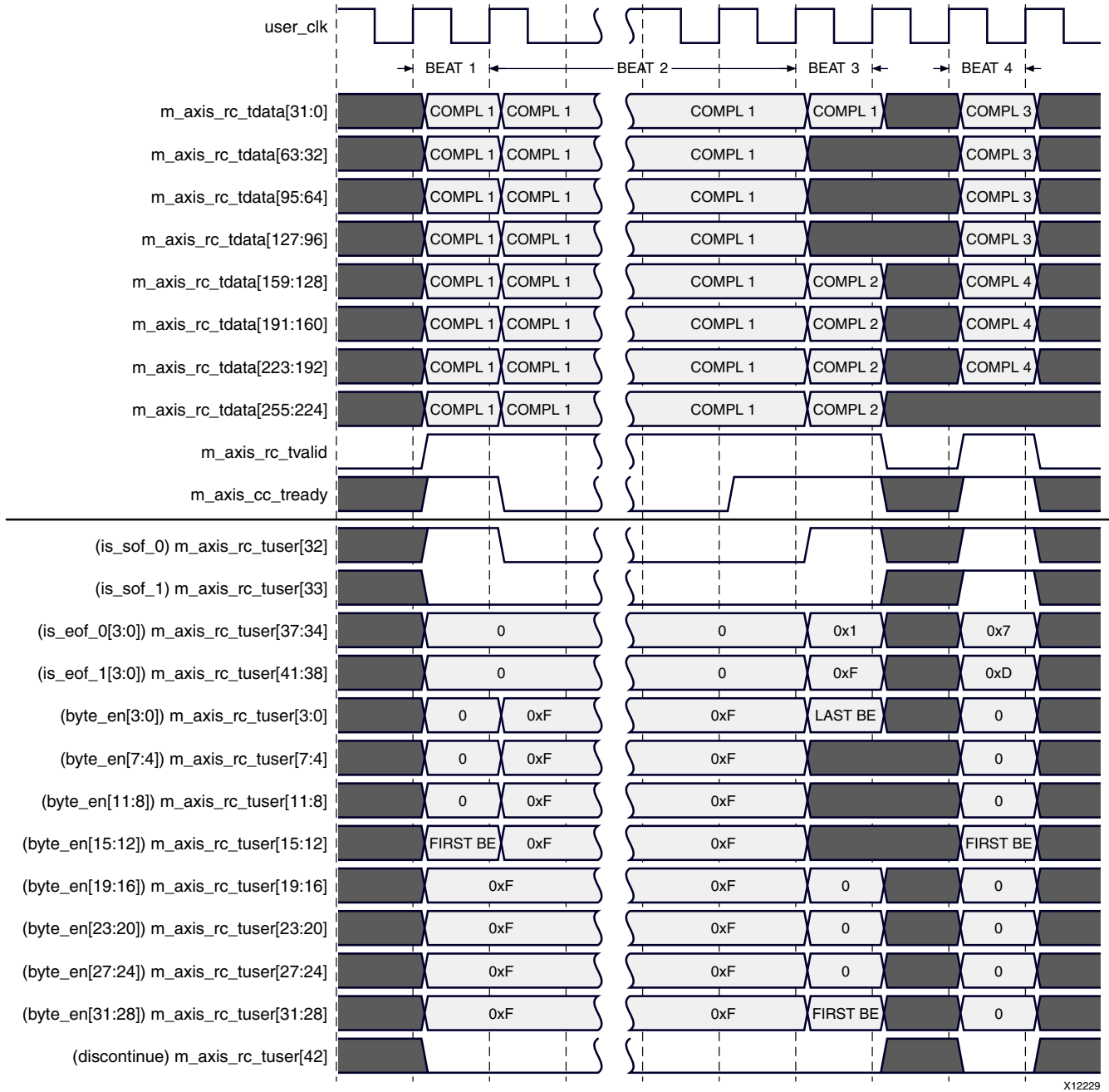


Figure 3-59: Transfer of Completion TLPs on the Requester Completion Interface with the Straddle Option Enabled

Aborting a Completion Transfer

For any Completion that includes an associated payload, the Integrated Block can signal an error in the transferred payload by asserting the `discontinue` signal in the `m_axis_rc_tuser` bus in the last beat of the packet. This occurs when the Integrated Block has detected an uncorrectable error while reading data from its internal memories. The client application must discard the entire packet when it has detected the

discontinue signal asserted in the last beat of a packet. This is also considered a fatal error in the Integrated Block.

When the straddle option is in use, the Integrated Block does not start a second Completion TLP in the same beat when it has asserted discontinue, aborting the Completion TLP ending in the beat.

Handling of Completion Errors

When a Completion TLP is received from the link, the Integrated Block matches it against the outstanding requests in the Split Completion Table to determine the corresponding request, and compares the fields in its header against the expected values to detect any error conditions. The Integrated Block then signals the error conditions in a 4-bit error code sent to the client as part of the completion descriptor. The Integrated Block also indicates the last completion for a request by setting the Request Completed bit (bit 30) in the descriptor. Table 3-11 defines the error conditions signaled by the various error codes.

Table 3-11: Encoding of Error Codes

Error Code	Description
0000	No errors detected.
0001	The Completion TLP received from the link was Poisoned. The client should discard any data that follows the descriptor. In addition, if the Request Completed bit in the descriptor is not set, the client should continue to discard the data subsequent completions for this tag until it receives a completion descriptor with the Request Completed bit set. On receiving a completion descriptor with the Request Completed bit set, the client can remove all state for the corresponding request.
0010	Request terminated by a Completion TLP with UR, CA, or CRS status. In this case, there is no data associated with the completion, and the Request Completed bit in the completion descriptor is set. On receiving such a Completion from the Integrated Block, the client can discard the corresponding request.
0011	Read Request terminated by a Completion TLP with incorrect byte count. This condition occurs when a Completion TLP is received with a byte count not matching the expected count. The Request Completed bit in the completion descriptor is set. On receiving such a completion from the Integrated Block, the client can discard the corresponding request.
0100	This code indicates the case when the current Completion being delivered has the same tag of an outstanding request, but its Requester ID, TC, or Attr fields did not match with the parameters of the outstanding request. The client should discard any data that follows the descriptor. In addition, if the Request Completed bit in the descriptor is not set, the client should continue to discard the data subsequent completions for this tag until it receives a completion descriptor with the Request Completed bit set. On receiving a completion descriptor with the Request Completed bit set, the client can remove all state associated with the request.

Table 3-11: Encoding of Error Codes (Cont'd)

Error Code	Description
0101	Error in starting address. The low address bits in the Completion TLP header did not match with the starting address of the next expected byte for the request. The client should discard any data that follows the descriptor. In addition, if the Request Completed bit in the descriptor is not set, the client should continue to discard the data subsequent Completions for this tag until it receives a completion descriptor with the Request Completed bit set. On receiving a completion descriptor with the Request Completed bit set, the client can discard the corresponding request.
0110	Invalid tag. This error code indicates that the tag in the Completion TLP did not match with the tags of any outstanding request. The client should discard any data following the descriptor.
0111	Invalid byte count. The byte count in the Completion was higher than the total number of bytes expected for the request. In this case, the Request Completed bit in the completion descriptor is also set. On receiving such a completion from the Integrated Block, the client can discard the corresponding request.
1001	Request terminated by a Completion timeout. This error code is used when an outstanding request times out without receiving a Completion from the link. The Integrated Block maintains a completion timer for each outstanding request, and responds to a completion timeout by transmitting a dummy completion descriptor on the requester completion interface to the client, so that the client can terminate the pending request, or retry the request. Because this descriptor does not correspond to a Completion TLP received from the link, only the Request Completed bit (bit 30), the tag field (bits [71: 64]) and the requester Function field (bits [55: 48]) are valid in this descriptor.
1000	Request terminated by a Function-Level Reset (FLR) targeting the Function that generated the request. In this case, the Integrated Block transmits a dummy completion descriptor on the requester completion interface to the client, so that the client can terminate the pending request. Because this descriptor does not correspond to a Completion TLP received from the link, only the Request Completed bit (bit 30), the tag field (bits [71:64]) and the requester Function field (bits [55:48]) are valid in this descriptor.

When the tags are managed internally by the Integrated Block, logic within the Integrated Block ensures that a tag allocated to a pending request is not re-used until either all the Completions for the request were received or the request was timed out.

When tags are managed by the client, however, the client must ensure that a tag assigned to a request is not re-used until the Integrated Block has signaled the termination of the request by setting the Request Completed bit in the completion descriptor. The client can close out a pending request on receiving a completion with a non-zero error code, but should not free the associated tag if the Request Completed bit in the completion descriptor is not set. Such a situation might occur when a request receives multiple split completions, one of which has an error. In this case, the Integrated Block can continue to receive Completion TLPs for the pending request even after the error was detected, and these Completions are incorrectly matched to a different request if its tag is re-assigned too soon. In some cases, the Integrated Block might have to wait for the request to time out even when a split completion is received with an error, before it can allow the tag to be re-used.

Power Management

The core supports these power management modes:

- Active State Power Management (ASPM)
- Programmed Power Management (PPM)

Implementing these power management functions as part of the PCI Express design enables the PCI Express hierarchy to seamlessly exchange power-management messages to save system power. All power management message identification functions are implemented. The subsections in this section describe the user logic definition to support the above modes of power management.

For additional information on ASPM and PPM implementation, see the *PCI Express Base Specification* [Ref 2].

Active State Power Management

The core advertises an N_FTS value of 255 to ensure proper alignment when exiting L0s. If the N_FTS value is modified, you must ensure enough FTS sequences are received to properly align and avoid transition into the Recovery state.

The Active State Power Management (ASPM) functionality is autonomous and transparent from a user-logic function perspective. The core supports the conditions required for ASPM. The integrated block supports ASPM L0s and not ASPM L1.

Note: ASPM is not supported in non-synchronous clocking mode.

Note: L0s is not supported for Gen3 targeted designs. It is supported only on designs generated for Gen1 and Gen2.

Programmed Power Management

To achieve considerable power savings on the PCI Express hierarchy tree, the core supports these link states of Programmed Power Management (PPM):

- L0: Active State (data exchange state)
- L1: Higher Latency, lower power standby state
- L3: Link Off State

The Programmed Power Management Protocol is initiated by the Downstream Component/Upstream Port.

PPM L0 State

The L0 state represents *normal* operation and is transparent to the user logic. The core reaches the L0 (active state) after a successful initialization and training of the PCI Express Link(s) as per the protocol.

PPM L1 State

These steps outline the transition of the core to the PPM L1 state:

1. The transition to a lower power PPM L1 state is always initiated by an upstream device, by programming the PCI Express device power state to D3-hot (or to D1 or D2, if they are supported).
2. The device power state is communicated to the user logic through the `cfg_function_power_state` output.
3. The core then throttles/stalls the user logic from initiating any new transactions on the user interface by deasserting `s_axis_rq_tready`. Any pending transactions on the user interface are, however, accepted fully and can be completed later.

There are two exceptions to this rule:

- The core is configured as an Endpoint and the User Configuration Space is enabled. In this situation, the user must refrain from sending new Request TLPs if `cfg_function_power_state` indicates non-D0, but the user can return Completions to Configuration transactions targeting User Configuration space.
 - The core is configured as a Root Port. To be compliant in this situation, the user should refrain from sending new Requests if `cfg_function_power_state` indicates non-D0.
4. The core exchanges appropriate power management DLLPs with its link partner to successfully transition the link to a lower power PPM L1 state. This action is transparent to the user logic.
 5. All user transactions are stalled for the duration of time when the device power state is non-D0, with the exceptions indicated in step 3.

PPM L3 State

These steps outline the transition of the Endpoint for PCI Express to the PPM L3 state:

1. The core negotiates a transition to the L23 Ready Link State upon receiving a `PME_Turn_Off` message from the upstream link partner.
2. Upon receiving a `PME_Turn_Off` message, the core initiates a handshake with the user logic through `cfg_power_state_change_interrupt` (see [Table 3-12](#)) and expects a `cfg_power_state_change_ack` back from the user logic.

3. A successful handshake results in a transmission of the Power Management Turn-off Acknowledge (PME-turnoff_ack) Message by the core to its upstream link partner.
4. The core closes all its interfaces, disables the Physical/Data-Link/Transaction layers and is ready for *removal* of power to the core.

There are two exceptions to this rule:

- The core is configured as an Endpoint and the User Configuration Space is enabled. In this situation, the user must refrain from sending new Request TLPs if `cfg_function_power_state` indicates non-D0, but the user can return Completions to Configuration transactions targeting User Configuration space.
- The core is configured as a Root Port. To be compliant in this situation, the user should refrain from sending new Requests if `cfg_function_power_state` indicates non-D0.

Table 3-12: Power Management Handshaking Signals

Port Name	Direction	Description
<code>cfg_power_state_change_interrupt</code>	Output	Asserted if a power-down request TLP is received from the upstream device. After assertion, <code>cfg_power_state_change_interrupt</code> remains asserted until the user asserts <code>cfg_power_state_change_ack</code> .
<code>cfg_power_state_change_ack</code>	Input	Asserted by the User Application when it is safe to power down.

Power-down negotiation follows these steps:

1. Before power and clock are turned off, the Root Complex or the Hot-Plug controller in a downstream switch issues a PME_Turn_Off broadcast message.
2. When the core receives this TLP, it asserts `cfg_power_state_change_interrupt` to the User Application and starts polling the `cfg_power_state_change_ack` input.
3. When the User Application detects the assertion of `cfg_to_turnoff`, it must complete any packet in progress and stop generating any new packets. After the User Application is ready to be turned off, it asserts `cfg_power_state_change_ack` to the core. After assertion of `cfg_power_state_change_ack`, the User Application is committed to being turned off.
4. The core sends a PME_TO_Ack when it detects assertion of `cfg_power_state_change_ack`.

Generating Interrupt Requests

See the `cfg_interrupt_msi*` and `cfg_interrupt_msix_*` descriptions in [Table 2-20, page 53](#).

Note: This section only applies to the Endpoint Configuration of the Virtex-7 FPGA Gen3 Integrated Block for PCI Express core.

The Integrated Block core supports sending interrupt requests as either legacy, Message MSI, or MSI-X interrupts. The mode is programmed using the MSI Enable bit in the Message Control Register of the MSI Capability Structure and the MSI-X Enable bit in the MSI-X Message Control Register of the MSI-X Capability Structure. For more information on the MSI and MSI-X capability structures, see section 6.8 of the *PCI Local Base Specification v3.0*.

The state of the MSI Enable and MSI-X Enabled bits is reflected by the `cfg_interrupt_msi_enable` and `cfg_interrupt_msix_enable` outputs, respectively. [Table 3-13](#) describes the Interrupt Mode to which the device has been programmed, based on the `cfg_interrupt_msi_enable` and `cfg_interrupt_msix_enable` outputs of the core.

Table 3-13: Interrupt Modes

	<code>cfg_interrupt_msixenable=0</code>	<code>cfg_interrupt_msixenable=1</code>
<code>cfg_interrupt_msi_enable=0</code>	Legacy Interrupt (INTx) mode. The <code>cfg_interrupt</code> interface only sends INTx messages.	MSI-X mode. MSI-X interrupts must be generated by the user by composing MWr TLPs on the transmit AXI4-Stream interface; Do not use the <code>cfg_interrupt</code> interface. The <code>cfg_interrupt</code> interface is active and sends INTx messages, but the user should refrain from doing so.
<code>cfg_interrupt_msi_enable=1</code>	MSI mode. The <code>cfg_interrupt</code> interface only sends MSI interrupts (MWr TLPs).	Undefined. System software is not supposed to permit this. However, the <code>cfg_interrupt</code> interface is active and sends MSI interrupts (MWr TLPs) if the user chooses to do so.

The MSI Enable bit in the MSI control register, the MSI-X Enable bit in the MSI-X Control Register, and the Interrupt Disable bit in the PCI Command register are programmed by the Root Complex. The User Application has no direct control over these bits.

The Internal Interrupt Controller in the core only generates Legacy Interrupts and MSI Interrupts. MSI-X Interrupts need to be generated by the User Application and presented on the transmit AXI4-Stream interface. The status of `cfg_interrupt_msi_enable` determines the type of interrupt generated by the internal Interrupt Controller:

If the MSI Enable bit is set to a 1, then the core generates MSI requests by sending Memory Write TLPs. If the MSI Enable bit is set to 0, the core generates legacy interrupt messages as long as the Interrupt Disable bit in the PCI Command Register is set to 0.

- `cfg_command[10] = 0`: INTx interrupts enabled
- `cfg_command[10] = 1`: INTx interrupts disabled (request are blocked by the core)
- `cfg_interrupt_msi_enable = 0`: Legacy Interrupt
- `cfg_interrupt_msi_enable = 1`: MSI

The User Application requests interrupt service in one of two ways, each of which are described next.

Legacy Interrupt Mode

- The User Application first asserts `cfg_interrupt_int` and `cfg_interrupt_pending` to assert the interrupt.
- The core then asserts `cfg_interrupt_sent` to indicate the interrupt is accepted. On the following clock cycle, the User Application deasserts `cfg_interrupt_int` and, if the Interrupt Disable bit in the PCI Command register is set to 0, the core sends an assert interrupt message (Assert_INTA).
- After the User Application has determined that the interrupt has been serviced, it asserts `cfg_interrupt_int` while deasserting `cfg_interrupt_pending` to deassert the interrupt.
- The core then asserts `cfg_interrupt_sent` to indicate the interrupt deassertion has been accepted. On the following clock cycle, the User Application deasserts `cfg_interrupt_int` and the core sends a deassert interrupt message (Deassert_INTA).

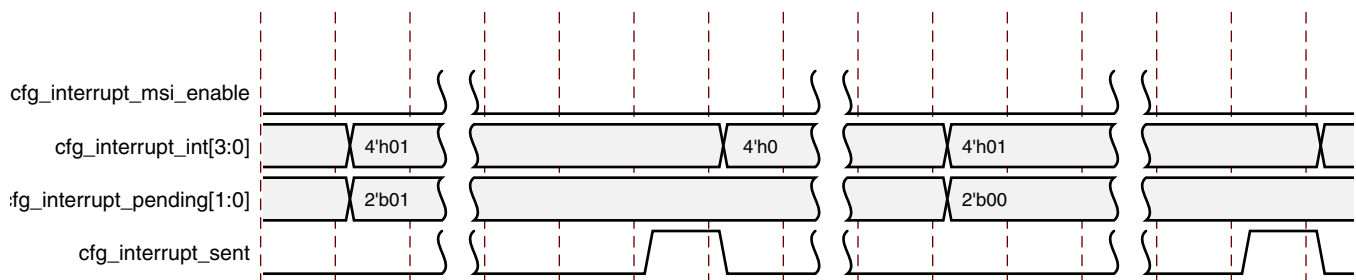


Figure 3-60: Legacy Interrupt Signaling

MSI Mode

- As shown in Figure 3-60, the User Application first asserts a value on `cfg_interrupt_msi_int`.
- The core asserts `cfg_interrupt_msi_sent` to signal that the interrupt is accepted and the core sends a MSI Memory Write TLP.

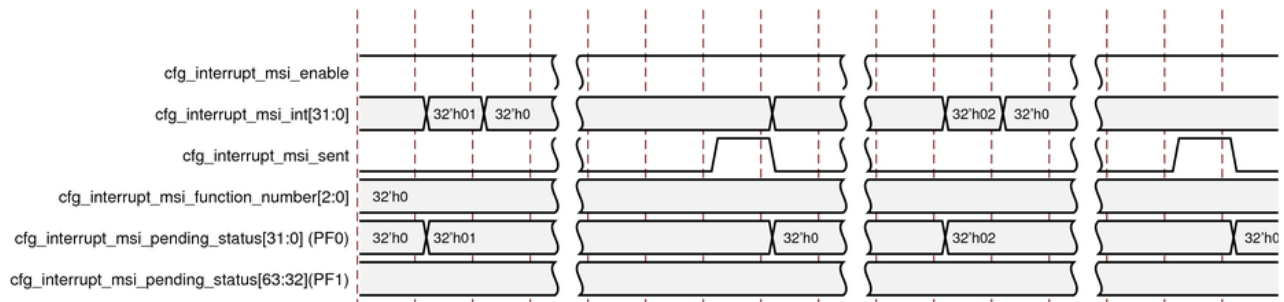


Figure 3-61: MSI Mode

The MSI request is either a 32-bit addressable Memory Write TLP or a 64-bit addressable Memory Write TLP. The address is taken from the Message Address and Message Upper Address fields of the MSI Capability Structure, while the payload is taken from the Message Data field. These values are programmed by system software through configuration writes to the MSI Capability structure. When the core is configured for Multi-Vector MSI, system software can permit Multi-Vector MSI messages by programming a non-zero value to the Multiple Message Enable field.

The type of MSI TLP sent (32-bit addressable or 64-bit addressable) depends on the value of the Upper Address field in the MSI capability structure. By default, MSI messages are sent as 32-bit addressable Memory Write TLPs. MSI messages use 64-bit addressable Memory Write TLPs only if the system software programs a non-zero value into the Upper Address register.

When Multi-Vector MSI messages are enabled, the User Application can override one or more of the lower-order bits in the Message Data field of each transmitted MSI TLP to differentiate between the various MSI messages sent upstream. The number of lower-order bits in the Message Data field available to the User Application is determined by the lesser of the value of the Multiple Message Capable field, as set in the IP customization GUI, and the Multiple Message Enable field, as set by system software and available as the `cfg_interrupt_msi_mmenable[2:0]` core output. The core masks any bits in `cfg_interrupt_msi_select` which are not configured by system software via Multiple Message Enable.

This pseudo-code shows the processing required:

```
// Value MSI_Vector_Num must be in range: 0 ≤ MSI_Vector_Num ≤
(2^cfg_interrupt_mmenable)-1

if (cfg_interrupt_msienable) { // MSI Enabled
  if (cfg_interrupt_mmenable > 0) { // Multi-Vector MSI Enabled
    cfg_interrupt_msi_int = {Padding_0s, MSI_Vector_Num};
  } else { // Single-Vector MSI Enabled
    cfg_interrupt_msi_int = Padding_0s;
  }
} else {
  // Legacy Interrupts Enabled
}
```

For example:

1. If `cfg_interrupt_mmenable[2:0] == 000b`, that is, 1 MSI Vector Enabled, then `cfg_interrupt_msi_int = 00h`;
2. if `cfg_interrupt_mmenable[2:0] == 101b`, that is, 32 MSI Vectors Enabled, then `cfg_interrupt_msi_int = {{27'b0}, {MSI_Vector#}}`;

where `MSI_Vector#` is a 5-bit value and is allowed to be `00000b ≤ MSI_Vector# ≤ 11111b`.

If Per-Vector Masking is enabled, the user must first verify that the vector being signaled is not masked in the Mask register. This is done by reading this register on the Configuration interface (the core does not look at the Mask register).

MSI-X Mode

The Virtex-7 FPGA Gen3 Integrated Block for PCI Express core optionally supports the MSI-X Capability Structure, as shown in Figure 3-62. The MSI-X vector table and the MSI-X Pending Bit Array need to be implemented as part of the user logic, by claiming a BAR aperture.

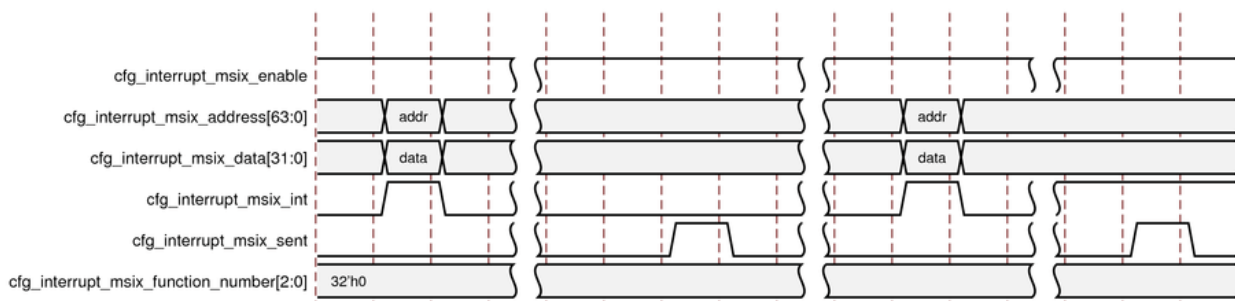


Figure 3-62: MSI-X Mode

If the `cfg_interrupt_msix_enable` output of the core is asserted, the User Application should compose and present the MSI-X interrupts on the transmit AXI4-Stream interface.

Designing with Configuration Space Registers and Configuration Interface

The ports used by configuration registers are described in [Table 2-12, page 29](#). Root Ports must use the Configuration Port to setup the Configuration Space. Endpoints can also use the Configuration Port to read and write; however, care must be taken to avoid adverse system side effects.

The User Application must supply the address as a Dword address, not a byte address.



TIP: To calculate the Dword address for a register, divide the byte address by four.

For example:

For the Command/Status Register in the PCI Configuration Space Header:

- The Dword address of is 01h.

Note: The byte address is 04h.

For BAR0:

- The Dword address is 04h.

Note: The byte address is 10h.

To read any register in configuration space, shown in [Table 2-28, page 68](#), the User Application drives the register Dword address onto `cfg_mgmt_addr[9:0]`. `cfg_mgmt_addr[17:10]` selects the PCI Function associated with the configuration register. The core drives the content of the addressed register onto `cfg_mgmt_write_data[31:0]`. The value on `cfg_mgmt_write_data [31:0]` is qualified by signal assertion on `cfg_mgmt_read_write_done`. [Figure 3-63](#) illustrates an example with read from the Configuration Space.

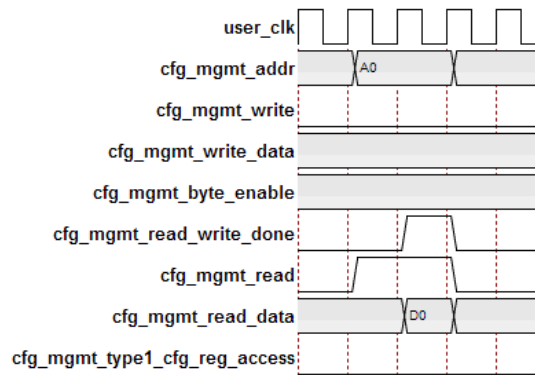


Figure 3-63: **cfg_mgmt_read_type0_type1**

To perform any register in configuration space, the user logic places the address on the `cfg_mgmt_addr` bus, write data on `cfg_mgmt_write_data`, byte-valid on `cfg_mgmt_byte_enable` [3:0], and asserts the `cfg_mgmt_write` signal. In response, the core asserts the `cfg_mgmt_read_write_done` signal when the write is complete (which may take several cycles). The user logic must keep `cfg_mgmt_addr`, `cfg_mgmt_write_data`, `cfg_mgmt_byte_enable` and `cfg_mgmt_write` stable until `cfg_mgmt_read_write_done` is asserted. The user logic must also de-assert `cfg_mgmt_write` in the cycle following the `cfg_mgmt_read_write_done` from the core.

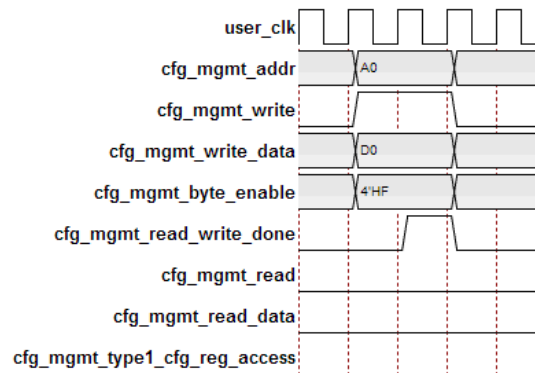


Figure 3-64: **cfg_mgmt_write_type0**

When the core is configured in the Root Port mode, when you assert `cfg_mgmt_type1_cfg_reg_access` input during a write to a Type-1 PCI™ Config Register forces a write into certain read-only fields of the register. This input has no effect when the core is in the Endpoint mode, or when writing to any register other than a Type-1 Config Register.

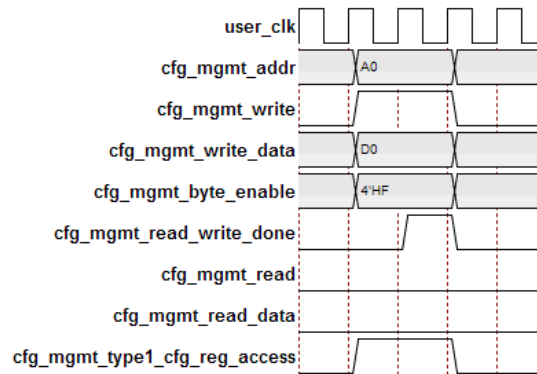


Figure 3-65: `cfg_mgmt_write_type1_override`

Link Training: 2-Lane, 4-Lane, and 8-Lane Components

The 2-lane, 4-lane, and 8-lane core can operate at less than the maximum lane width as required by the *PCI Express Base Specification* [Ref 2]. Two cases cause core to operate at less than its specified maximum lane width, as defined in these subsections.

Link Partner Supports Fewer Lanes

When the 2-lane core is connected to a device that implements only 1 lane, the 2-lane core trains and operates as a 1-lane device using lane 0.

When the 4-lane core is connected to a device that implements 1 lane, the 4-lane core trains and operates as a 1-lane device using lane 0, as shown in Figure 3-66. Similarly, if the 4-lane core is connected to a 2-lane device, the core trains and operates as a 2-lane device using lanes 0 and 1.

When the 8-lane core is connected to a device that only implements 4 lanes, it trains and operates as a 4-lane device using lanes 0-3. Additionally, if the connected device only implements 1 or 2 lanes, the 8-lane core trains and operates as a 1- or 2-lane device.

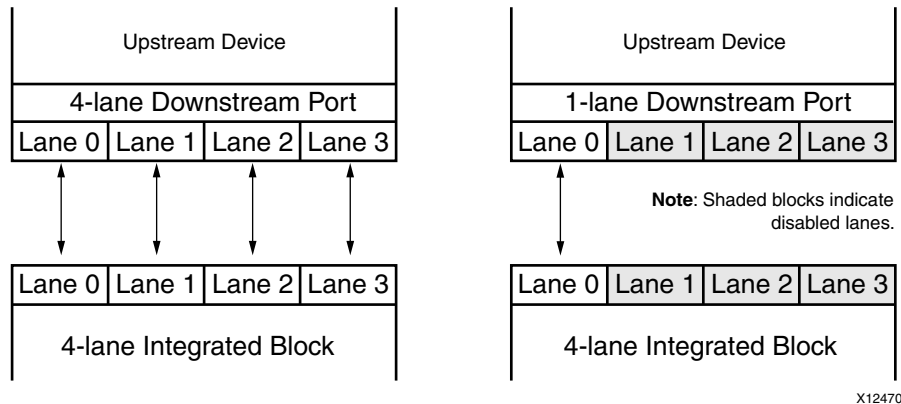


Figure 3-66: Scaling of 4-Lane Endpoint Block from 4-Lane to 1-Lane Operation

Lane Becomes Faulty

If a link becomes faulty after training to the maximum lane width supported by the core and the link partner device, the core attempts to recover and train to a lower lane width, if available. If lane 0 becomes faulty, the link is irrecoverably lost. If any or all of lanes 1–7 become faulty, the link goes into *recovery* and attempts to recover the largest viable link with whichever lanes are still operational.

For example, when using the 8-lane core, loss of lane 1 yields a recovery to 1-lane operation on lane 0, whereas the loss of lane 6 yields a recovery to 4-lane operation on lanes 0-3. After recovery occurs, if the failed lane(s) becomes *alive* again, the core does not attempt to recover to a wider link width. The only way a wider link width can occur is if the link actually goes down and it attempts to retrain from scratch.

The `user_clk` clock output is a fixed frequency configured in IP customization GUI. `user_clk` does not shift frequencies in case of link recovery or training down.

Lane Reversal

The Integrated Block supports limited lane reversal capabilities and therefore provides flexibility in the design of the board for the link partner. The link partner can choose to lay out the board with reversed lane numbers and the Integrated Block continues to link train successfully and operate normally. The configurations that have lane reversal support are x8 and x4 (excluding downshift modes). Downshift refers to the link width negotiation process that occurs when link partners have different lane width capabilities advertised. As a result of lane width negotiation, the link partners negotiate down to the smaller of the two advertised lane widths. Table 3-14 describes the several possible combinations including downshift modes and availability of lane reversal support.

Table 3-14: Lane Reversal Support

Integrated Block Advertised Lane Width	Negotiated Lane Width	Lane Number Mapping (Endpoint Link Partner)		Lane Reversal Supported
		Endpoint	Link Partner	
x8	x8	Lane 0... Lane 7	Lane 7... Lane 0	Yes
x8	x4	Lane 0... Lane 3	Lane 7... Lane 4	No ⁽¹⁾
x8	x2	Lane 0... Lane 3	Lane 7... Lane 6	No ⁽¹⁾
x4	x4	Lane 0... Lane 3	Lane 3... Lane 0	Yes
x4	x2	Lane 0... Lane 1	Lane 3... Lane 2	No ⁽¹⁾
x2	x2	Lane 0... Lane 1	Lane 1... Lane 0	Yes
x2	x1	Lane 0... Lane 1	Lane 1	No ⁽¹⁾

Notes:

1. When the lanes are reversed in the board layout and a downshift adapter card is inserted between the Endpoint and link partner, Lane 0 of the link partner remains unconnected (as shown by the lane mapping in this table) and therefore does not link train.

Tandem Configuration

The Virtex-7 FPGA Gen3 Integrated Block for PCI Express solution provides two alternative configuration methods to meet the time requirements indicated within the PCI Express Specification. The PCI Express Specification states that PCI Express ports must be ready to link train within 100 ms of the system power supplies being stable. The two alternative methods for configuration are referred to as Tandem PROM and Tandem PCI Express (PCIe).

Both Tandem PROM and Tandem PCI Express implement a two stage configuration methodology. In Tandem PROM and Tandem PCIe, the first stage configuration memory cells that are critical to PCI Express operation are loaded through a local PROM. When these cells have been loaded, an FPGA start-up command is sent at the end of the first stage bitstream to the FPGA configuration controller. The partially configured FPGA then becomes active with the first-stage bitstream contents. The first stage containing a fully functional PCI Express port responds to traffic received during PCI Express enumeration while the second stage is loaded into the FPGA. Included inside the first stage bitstream are the PCI Express Hard Block, Gigabit Transceivers, block RAM, clocking resources, FPGA logic, and routing resources required to make the entire PCI Express port functional. The second stage consists of the user-specific application, and the mechanism for loading the second stage bitstream differs between Tandem PROM and Tandem PCIe.

This section covers:

- [Tandem PROM](#)
- [Tandem PCI Express \(PCIe\)](#)
- [Tandem PROM/PCIe Resource Restrictions](#)
- [Calculating Bitstream Load Time for Tandem PROM and Tandem PCIe](#)



IMPORTANT: For the Vivado 2013.1 release, The Tandem Configuration feature is being released as beta.

Tandem PROM

The Tandem PROM solution splits a bitstream into two parts and both of those parts are loaded from an onboard local configuration memory (typically, any PROM or Flash device). The first part of the bitstream configures the PCI Express portion of the design and the second part configures the rest of the FPGA. Although the design is viewed to have two unique stages, the resulting bit file is monolithic and contains both the first and second stages.

Vivado Tool Flow

The Virtex-7 FPGA Gen3 Integrated Block for PCI Express and Vivado tool flow support implementations targeting Xilinx reference boards and specific part/package combinations.

Tandem PROM is supported in the configurations found in [Table 3-15](#).

Table 3-15: Tandem PROM Supported Configurations

HDL	Verilog Only		
PCIe Configuration	All configurations (max: X8Gen3)		
Xilinx Reference Board Support	VC709 Evaluation Board for Virtex-7 FPGA		
Device Support	Supported Part/Package Combinations:		
	Part	Package	PCIe
	XC7VX690T	FFG1761	X0Y1

Recommended Flow

The recommended flow is as follows:

1. Customize the core by selecting **VC709** under Xilinx Development Boards, and **Tandem PROM** Configuration, and then generate the core. See [Generating the Core](#).
2. Open the example project, and implement the example design.
3. Use the IP and XDC from the example project in your project, and instantiate the core.

4. Instantiate the handshaking wrapper into your design, alongside the IP.
5. Synthesize and implement your design.
6. Generate bit and then prom files.

The flow is demonstrated in [Tandem PROM VC709 Example Flow](#).

Generating the Core

When creating a new Vivado Design Suite project, the part/package or Xilinx reference board selection in [Table 3-15](#) activates the Tandem configuration section within the PCIe customization GUI.

1. In the Vivado IP catalog, double-click **PCI Express > Virtex-7 FPGA Gen3 Integrated Block for PCI Express** to open the Customize IP dialog box.

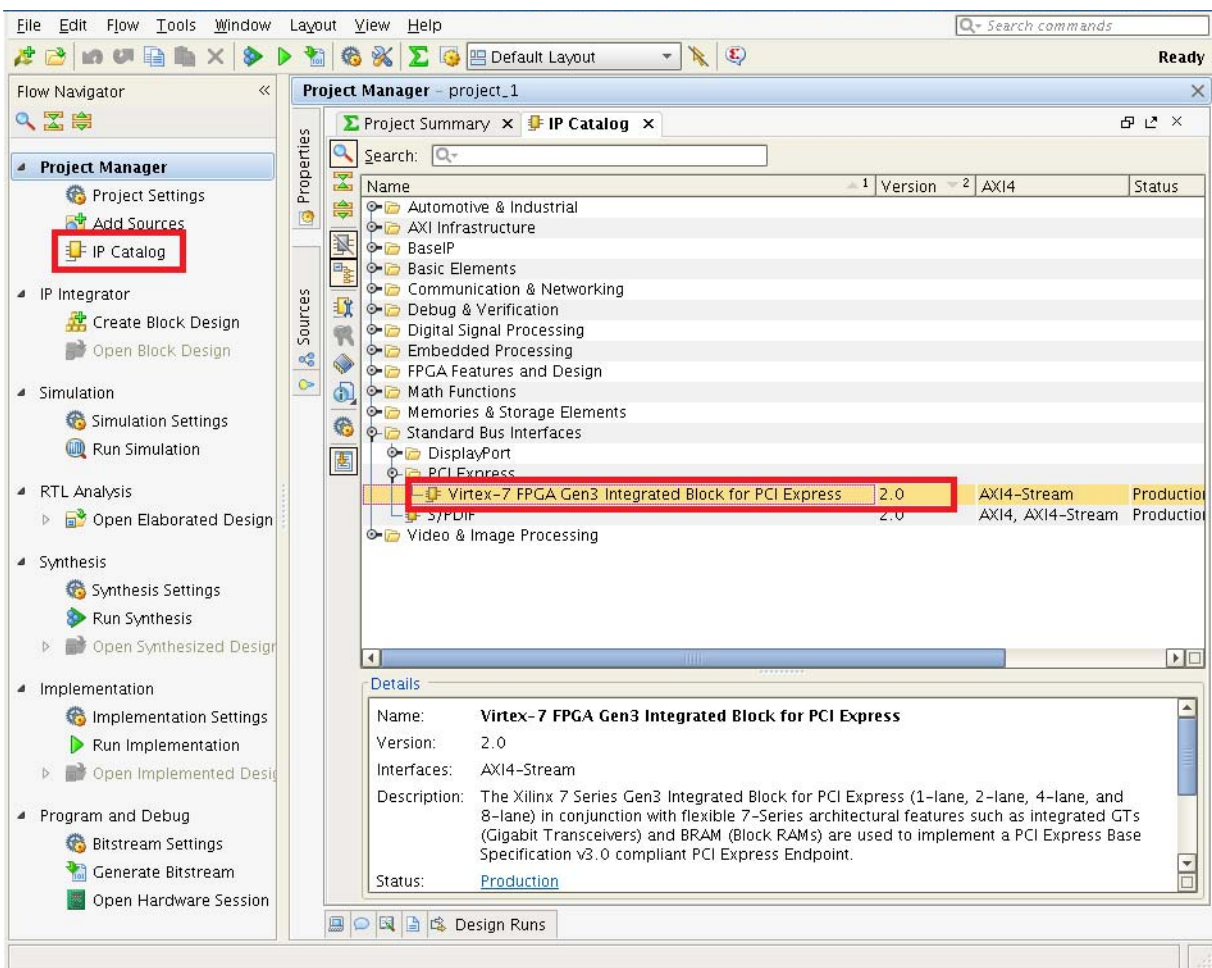


Figure 3-67: Vivado IP Catalog

In the Basic tab of the Customize IP dialog box (Figure 3-68):

2. Ensure that **VC709** is selected for Xilinx Development Boards, and **Production** is selected in the Silicon Revision pull-down.
3. Select **Tandem PROM** in the Tandem Configuration section.
4. Perform additional PCIe customizations, and select **OK** to generate the core.

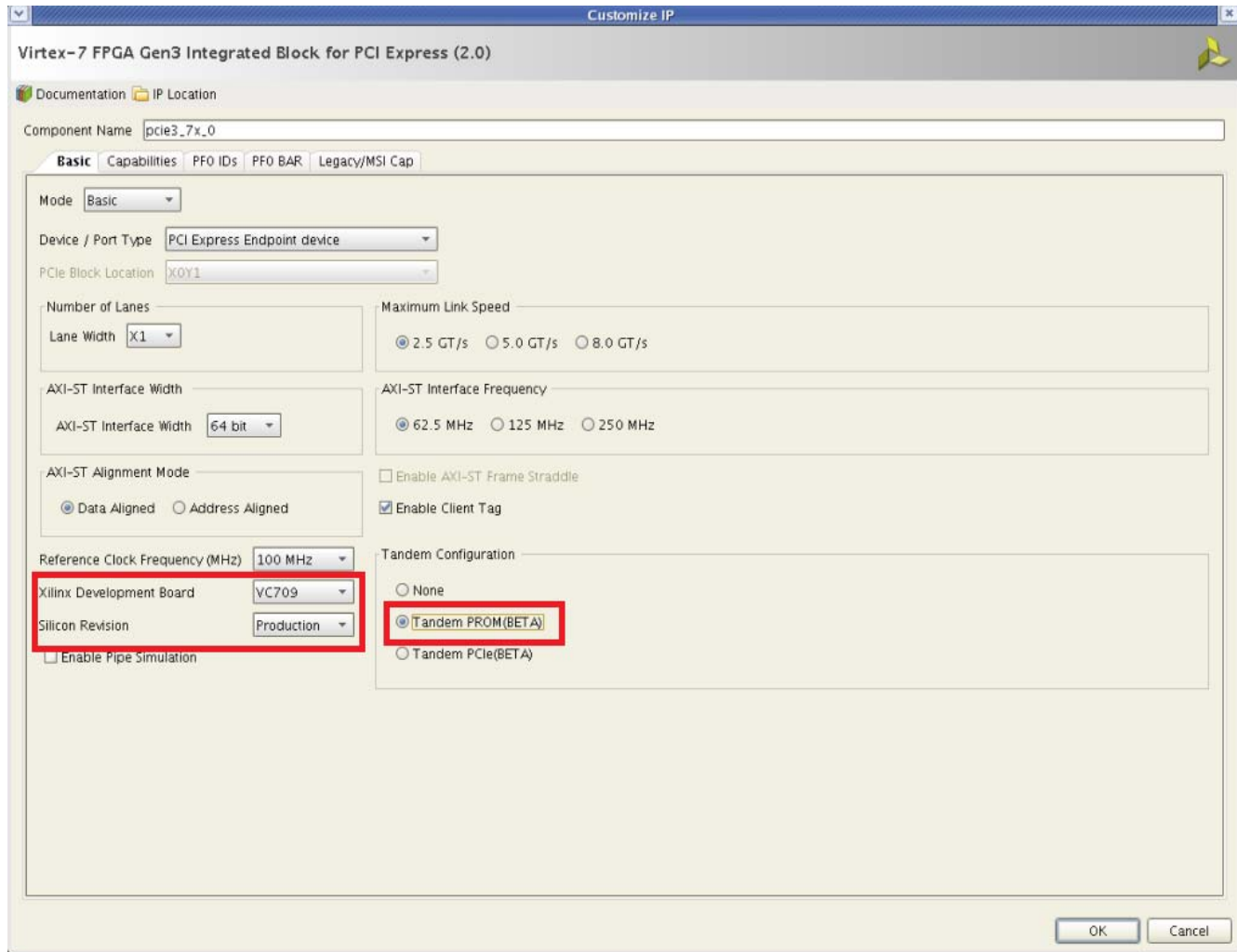


Figure 3-68: Tandem PROM

XDC Modifications

The generated Xilinx design constraints (XDC) file contains the appropriate constraints to enable the Tandem PROM solution.

The generated XDC for the Tandem PROM solution contains extra *Physical Constraints*. These constraints inform the implementation tools about which configuration frames must

be loaded during the first stage. The Tandem XDC file is provided during core generation and does not require modification.



IMPORTANT: Do not make any changes to the physical constraints defined in the XDC because the constraints are device dependent.

Constraints can be copied and pasted into existing designs targeting the same part and package. The instance names (INST) might change due to hierarchy differences when copying and pasting into existing designs. The following is a snippet of the Tandem PROM-specific constraints provided in the XDC file.

```
create_pblock fast_boot_region
add_cells_to_pblock [get_pblocks fast_boot_region] [get_cells -quiet [list
pcie3_7x_v2_0_0_i]]
resize_pblock [get_pblocks fast_boot_region] -add {SLICE_X192Y200:SLICE_X221Y299}
resize_pblock [get_pblocks fast_boot_region] -add {DSP48_X17Y100:DSP48_X17Y119}
resize_pblock [get_pblocks fast_boot_region] -add {RAMB18_X12Y80:RAMB18_X13Y119
RAMB18_X14Y100:RAMB18_X14Y119}
resize_pblock [get_pblocks fast_boot_region] -add {RAMB36_X12Y40:RAMB36_X13Y59
RAMB36_X14Y50:RAMB36_X14Y59}
resize_pblock [get_pblocks fast_boot_region] -add
{GTHE2_CHANNEL_X1Y16:GTHE2_CHANNEL_X1Y23}
resize_pblock [get_pblocks fast_boot_region] -add
{GTHE2_COMMON_X1Y4:GTHE2_COMMON_X1Y5}
resize_pblock [get_pblocks fast_boot_region] -add {PCIE3_X0Y1}
set_property CONTAIN_ROUTING 1 [get_pblocks fast_boot_region]
set_property EXCLUDE_PLACEMENT 1 [get_pblocks fast_boot_region]
set_property BOOT_BLOCK 1 [get_pblocks fast_boot_region]
set_false_path -from [get_pins pcie3_7x_v2_0_0_i/inst/sys_rst_n_int_reg/C]
```

In general, to achieve the best (smallest) first-stage bitstream size, you should consider the location for any I/Os that are intended to be configured in the first stage. I/Os that are physically placed a long distance from the core cause extra configuration frames to be included in the first stage. This is due to extra routing resources that are required to include these I/Os in the first stage.

Synthesis and Implementation

Additional design resources and elements critical to PCI Express functionality must be brought into the first stage bitstream. This is implemented using an external Tcl file which is generated during core generation. When running through the project based flow, the Tcl is invoked automatically prior to design optimization (`opt_design`).

Generate a Tandem PROM bitstream through the standard Vivado Design Suite project-based flow.

After the bit file is generated, a PROM file can be created. See [PROM Selection, page 181](#) to ensure the target PROM and configuration methodology meet the 100 ms Power On Reset requirement, as dictated by the PCI Express specification.

The promgen example below demonstrates how to create a PROM file for the VC709 reference board. This might change depending on the chosen configuration methodology.

```
promgen -w -p mcs -spi -u 0x0 <yourbitfile>.bit
```

Tandem PROM loads the second stage bitstream from the same PROM. The Tandem bitstream (and corresponding PROM image file) is completely self-contained, and the steps happen automatically with no requirements from the user. Figure 3-69 illustrates the order of the stages and bitstream loading flow.

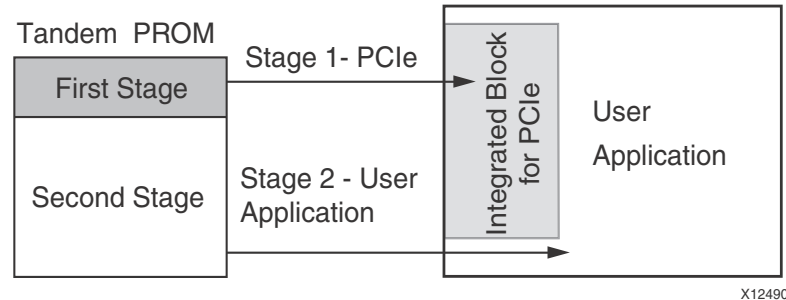


Figure 3-69: Tandem PROM Bitstream Load Steps

Tandem PROM is similar to the standard model used today in terms of tool flow and bitstream. A single bitstream is produced from BitGen, and the bit file is downloaded into the Flash for the system.

Tandem PROM Details

I/O Behavior

For each I/O that is required for the PCI Express IP (other than I/O associated with the GTX/GTH/GTP transceivers), the entire bank in which that I/O resides must be configured in the first bitstream. For PCI Express, the only signal needed in the first stage is the `sys_rst_n` input port. Be aware that any second stage I/O in the same I/O bank as `sys_rst_n` port is also configured with the first stage. Any pins in the same I/O bank as `sys_rst_n` are unconnected internally, so output pins demonstrate unknown behavior until their internal connections are completed by second stage configuration. Also, components requiring initialization for second stage functionality should not be placed in these I/O banks unless these components are reset by the `user_reset_out` signal from PCI Express.

Configuration Pin Behavior

The DONE pin indicates completion of configuration with standard approaches. DONE is also used for Tandem Configuration, but in a slightly different manner. DONE pulses high at the end of the first stage, when the start-up sequences are run; it pulls high and stays high at the end of the second stage of configuration.

Configuration Persist

Configuration Persist is optional in Tandem PROM configuration. Dual purpose I/O used for first and second stage configuration can be re-purposed as user I/O after second stage configuration is complete.

To enable Persist, run the following Tcl command in the Tcl Console:

```
set_property BITSTREAM.CONFIG.PERSIST yes [current_design]
```

Figure 3-70 shows the basic design flow for Tandem PROM.

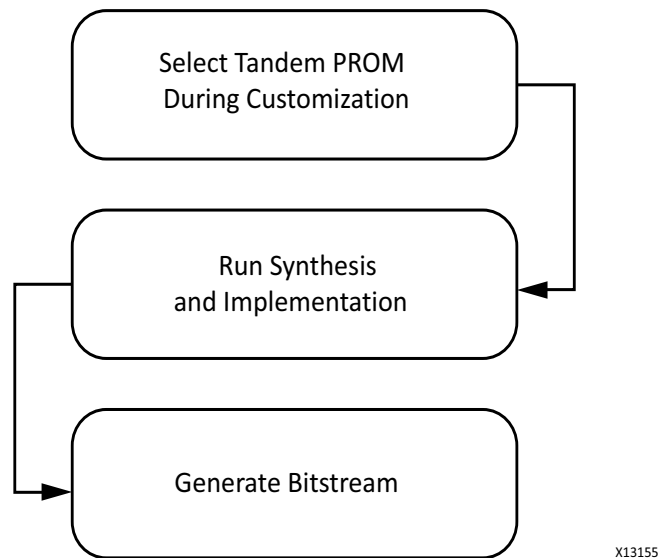


Figure 3-70: Design Flow for Tandem PROM, Vivado Tool Flow

See the *7 Series FPGAs Configuration User Guide (UG470)* [Ref 4] for more information regarding Persist.

PROM Selection

Configuration PROMs have no specific requirements. However, to meet the 100 ms specification, you must select a PROM that meets the following three criteria:

1. Supported by Xilinx configuration.
2. Sized appropriately for both first and second stages; that is, the PROM must be able to contain the entire bitstream.
3. Meets the configuration time requirement for PCI Express based on the first-stage bitstream size and the calculations for the bitstream loading time. See [Calculating Bitstream Load Time for Tandem PROM and Tandem PCIe](#).

See the *7 Series FPGAs Configuration User Guide (UG470)* [Ref 7] for a list of supported PROMs and device bitstream sizes.

Programming the Device

There are no special considerations for programming Tandem bitstreams versus standard bitstreams into a PROM. You can program a Tandem bitstream using all standard programming methods, such as JTAG, Slave and Master SelectMAP, SPI, and BPI. Regardless of the programming method used, the `DONE` pin is asserted after the first stage is loaded and operation begins.

Both internally generated `CCLK` and externally provided `EMCCLK` are supported for SPI and BPI programming. `EMCCLK` can be used to provide faster configuration rates due to tighter tolerances on the configuration clock. See the *7 Series FPGAs Configuration User Guide (UG470)* [Ref 7] for details on the use of `EMCCLK` with the Design Suite.

Tandem PROM RTL Design

Tandem PROM requires slight modifications from the non-tandem PCI Express product. This section indicates the additional logic integrated within the core and the additional responsibilities of the user application to implement a Tandem PROM solution.

Tandem PROM Logic

The core and example design contain ports (signals) specific to the Tandem PROM. These signals provide handshaking between the first stage (the core) and the second stage (user logic). Handshaking is necessary for interaction between the core and the user logic. [Table 3-16](#) defines the handshaking ports on the core.

Table 3-16: Tandem PROM Handshaking Ports

Name	Direction	Description
<code>user_app_rdy</code>	Output	This signal indicates that the core recognizes that the second stage of bitstream is successfully loaded and can begin.

User Application Handshake

Additional logic is implemented within tandem solutions to perform the hand-off between core control of the PCI Express Block and the user application. [Multiplexing on Critical Inputs](#) explains why this handoff mechanism is required. The tandem solution provides an alternating 8-bit pattern and pattern checker within the core. This pattern is defined as hexadecimal values `0x12` and `0x9A` (these values are parameterized), which must alternate on every `user_clk_out` clock cycle. During the opt step of implementation the logic for this pattern generator is moved into the second stage bitstream.

When the second stage finishes configuration and the FPGA start-up command is issued by the configuration controller, the pattern generator drives the alternating pattern into the

first stage configuration. When the core detects this pattern, `user_app_rdy` is asserted and control switches from the first stage PCIe controller to the second stage user design.

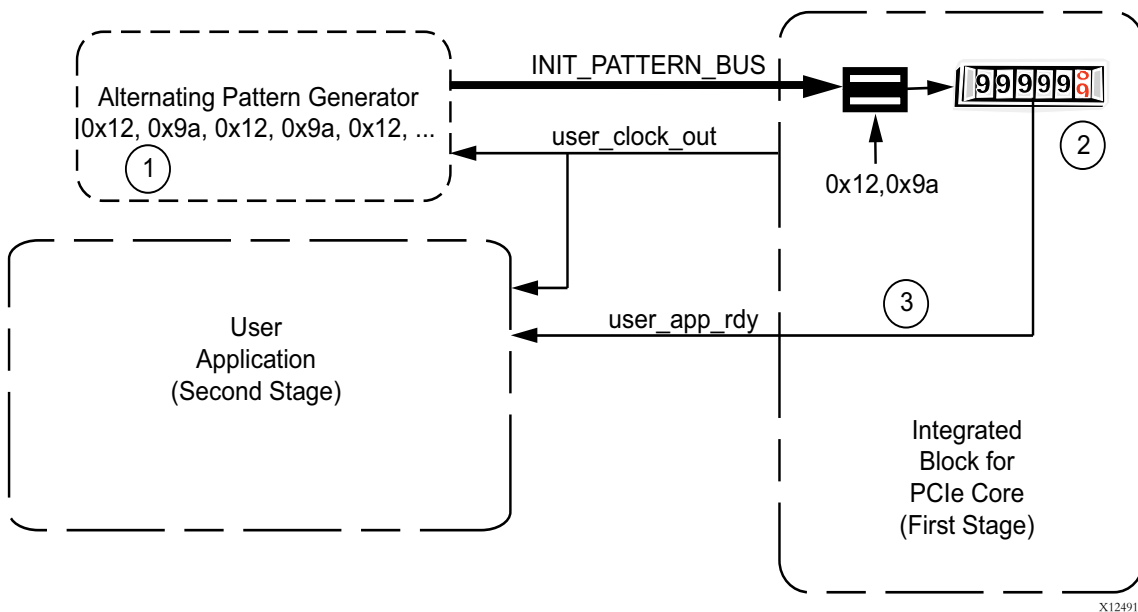


Figure 3-71: Handshaking Details

Notes relevant to [Figure 3-71](#):

1. The second stage is activated after start-up, and logic generates a predetermined alternating pattern.
2. The logic in the first stage looks for this pattern and begins a countdown, when the pattern is detected.

When the counter finishes, the first stage asserts the `user_app_rdy` signal, which indicates to the user application that the PCIe core is ready for normal operation.

Multiplexing Critical Inputs

Certain input ports to the core are multiplexed so that they are disabled during the second stage configuration process. These MUXes are located in the top-level core file and are controlled by the `user_app_rdy` signal.

These inputs are held in a deasserted state while the second stage bitstream is loaded. This masks off any unwanted glitching due to the absence of second stage drivers and keeps the PCIe core in a valid state. When `user_app_rdy` is asserted, the MUXes are switched, and all interface signals behave as described in this document.

Tandem Completer

In addition to standard configuration requests, the PCI Express endpoint might receive TLP requests that are not processed within the PCI Express Hardblock. Typical TLP requests received are Vendor Defined Messages and Read Requests. To avoid a lockup scenario within the PCI Express IP, TLP requests must be drained from the core to allow Configuration requests to be completed successfully.

A tandem completer module is implemented to process these packets. All read requests are expected to be 1DW and a CPLD is returned with a payload of 32'h0. All other requests are purged from the cores receive buffer and no further processing is performed. After the second stage bitstream is loaded and `user_app_rdy` asserted, the tandem completer module becomes inactive.

Tandem PROM VC709 Example Flow

This section demonstrates the Vivado flow from start to finish when targeting the VC709 reference board. Paths and pointers within this flow description assume the default component name "pcie3_7x_v2_0_0" is used.

Step 1: Open the Example Design

1. Generate the core as described in [Generating the Core, page 167](#).

After being generated, the core hierarchy is available in the Sources tab in the Vivado Integrated Design Environment.

2. In the Sources tab, right-click the core, and select **Open IP Example Design**.

A new instance of Vivado is created and the example design is automatically loaded into the Vivado Integrated Design Environment.

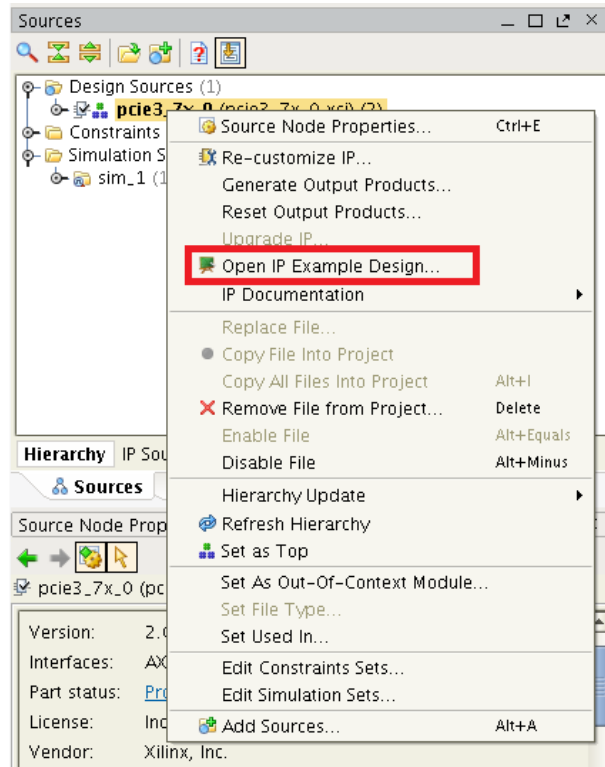


Figure 3-72: Open IP Example Design in Right-Click Menu

Step 2: Run Synthesis/Implementation

Click **Run Implementation** in the Flow Navigator. Select **OK** to run through synthesis first. The design runs through the complete tool flow and the result is a fully routed design that supports Tandem PROM.

Step 3: Generate the bitstream

After Synthesis and Implementation is complete, click **Generate Bitstream** in the Flow Navigator. A bitstream supporting Tandem configuration is generated in the runs directory.

For example:

```
./pcie3_7x_v2_0_0_example.runs/impl/xilinx_pcie_3_0_ep_7x.bit
```

You have the option of creating the first and second stage bitstreams independently. This flow allows you to control the loading of each stage through the JTAG interface and should be used for testing purposes only. The following command is required to generate the bitstreams. This command should be added to a Tcl script file and included as a `tcl.pre` file for the "Write Bitstream" step. This can be done through the "Bitstream Settings" dialog box under the "tcl.pre" setting.

```
set_property bitstream.config.tandem_writebitstream separate [current_design]
```

The resulting bit files created are named `xilinx_pcie_3_0_ep_7x_tandem1.bit` and `xilinx_pcie_3_0_ep_7x_tandem2.bit`.

Step 4: Generate the PROM file

Run the following command on the command line to create a PROM file supported on the VC709 development board.

```
promgen -w -p mcs -spi -u 0x0 xilinx_pcie_3_0_ep_7x.bit
```

Tandem PROM Summary

The PCI Express specification requires that the device is available to link train after power is stable. This requirement can be met using the Tandem PROM. While the Virtex-7 FPGA Gen3 Integrated Block for PCI Express core manages many design details, you must handle these items:

- Insert the handshaking HDL code on the user application side of the design. See the provided PIO reference design as an example.
- Integrate the additional Tandem constraints into the XDC file. Refer to the Tandem constraints provided when generating the core example design.

With these items implemented, the design bitstream is monolithic and split into two stages by the tools. When the first section has been loaded, the PCIe Endpoint is active and ready to communicate with the system. When selecting the Tandem PROM in the customization GUI, the PIO reference design is set up to demonstrate the Tandem PROM use case.

Tandem PCI Express (PCIe)

In the first stage, only the configuration memory cells that are critical to PCI Express operation are loaded from the PROM. After the partial bitstream is loaded the PCI Express port is capable of responding to enumeration traffic. Subsequently, the second stage of the bitstream is transmitted through the PCI Express link. [Figure 3-73](#) illustrates the order of the stages and bitstream loading flow.

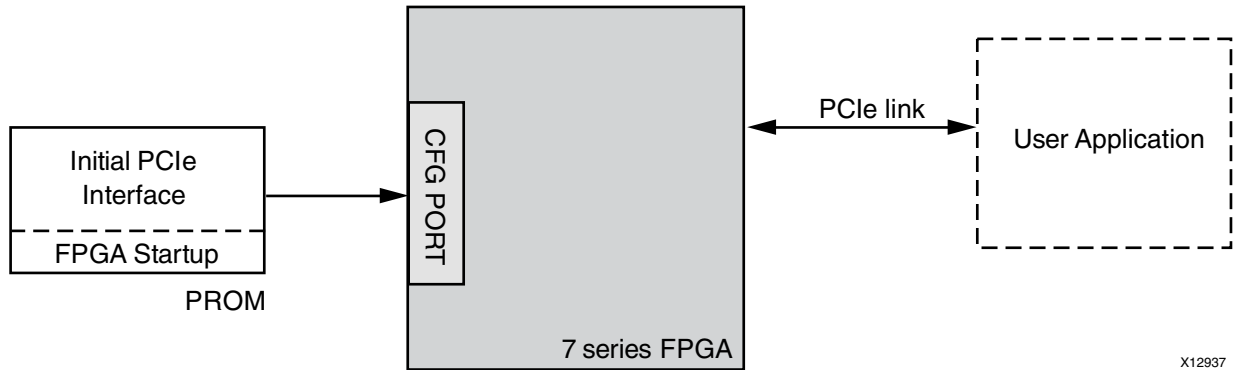


Figure 3-73: Tandem PCIe Bitstream Load Steps

Tandem PCIe is similar to the standard model used today in terms of tool flow and bitstream generation. Two partial bitstreams are produced when running bitstream generation. One bit file representing the first stage is downloaded into the PROM while the other bit file representing the user application (the second stage) configures the remainder of the FPGA using the Internal Access Configuration port (ICAP).

Note: Field updates of the second stage bitstream, that is, multiple user application images for an unchanging first stage bitstream, require partial reconfiguration, which is not yet a supported flow.

Vivado Tool Flow

The Virtex-7 FPGA Gen3 Integrated Block for PCI Express and Vivado tool flow support implementations targeting Xilinx reference boards. Additional support for generic part/package selections is planned for a future release. Tandem PCIe is supported as outlined in [Table 3-17](#).

Table 3-17: Tandem PCIe Supported Options

HDL	Verilog Only						
PCIe Configuration	All configurations (max: X8Gen3)						
Xilinx Reference Board Support	VC709 Evaluation Board for Virtex-7 FPGA						
Device Support	Supported Part/Package Combinations: <table border="1" style="margin-left: 20px;"> <thead> <tr> <th>Part</th> <th>Package</th> <th>PCIe</th> </tr> </thead> <tbody> <tr> <td>XC7VX690T</td> <td>FFG1761</td> <td>X0Y1</td> </tr> </tbody> </table>	Part	Package	PCIe	XC7VX690T	FFG1761	X0Y1
Part	Package	PCIe					
XC7VX690T	FFG1761	X0Y1					

Recommended Flow

The recommended flow is as follows:

1. Customize the core by selecting **VC709** under Xilinx Development Boards, and **Tandem PCIe** Configuration, and then generate the core. See [Generating the Core](#).
2. Open the example project, and implement the example design.

3. Use the IP and XDC from the example project in your project, and instantiate the core.
4. Instantiate the handshaking wrapper into your design, alongside the IP.
5. Synthesize and implement your design.
6. Generate the bit and prom files.

The flow is demonstrated in [Tandem PCIe VC709 Example Flow](#).

Generating the Core

When creating a new Vivado project, select the part/package or Xilinx reference board selection in [Table 3-17](#) to activate the Tandem configuration section within the PCIe customization GUI.

1. In the Vivado IP catalog, double-click **PCI Express > Virtex-7 FPGA Gen3 Integrated Block for PCI Express** to open the Customize IP dialog box.

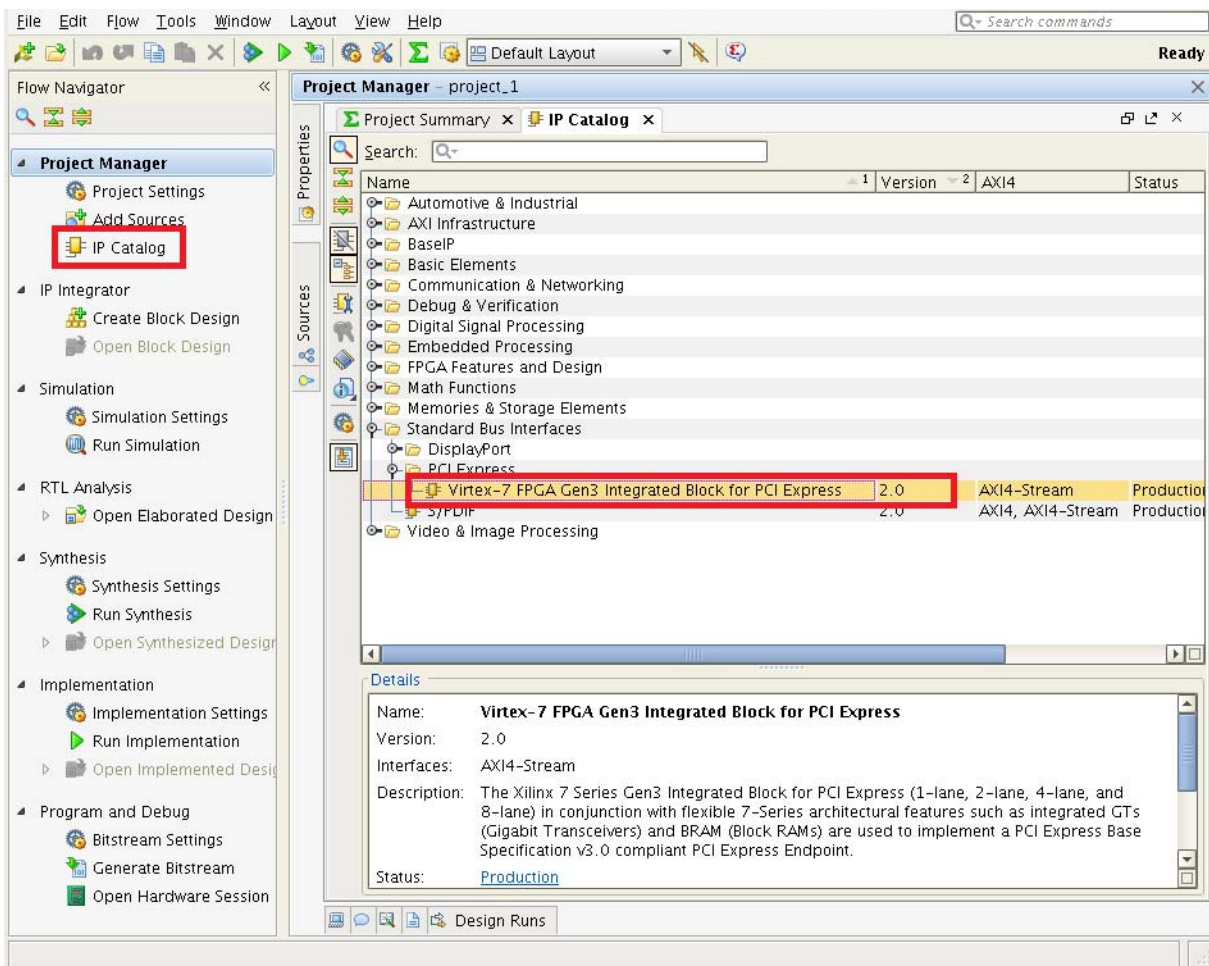


Figure 3-74: Vivado IP Catalog

2. In the Basic tab of the Customize IP dialog box, ensure that **VC709** is selected for Xilinx Development Boards, and **Production** is selected in the Silicon Revision pull-down.
3. Select the **Tandem PCIe** configuration option.

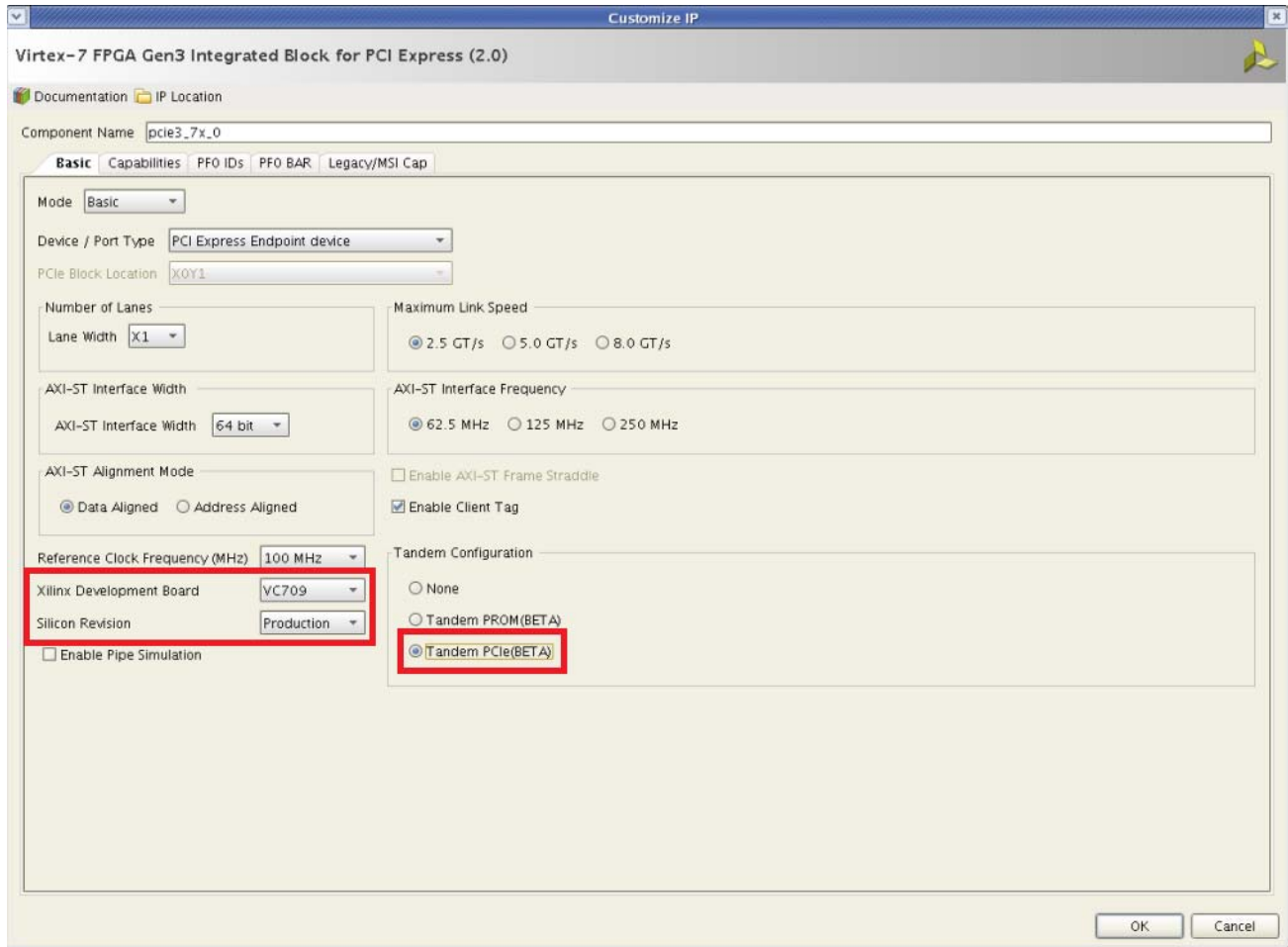


Figure 3-75: Tandem PCIe and Silicon Revision

4. Select the correct Tandem PCIe memory aperture. The FPC module assumes the second stage bitstream is received on BAR0. On the PFO BAR tab, **BAR0** must be enabled, and Size Unit set as a **128 Bytes Memory BAR**.
5. Perform additional PCIe customizations, and select **OK** generate the core.

Tandem XDC Constraints

The generated Xilinx design constraints (XDC) file contains the appropriate constraints to enable the Tandem PCIe solution.

The generated XDC for the Tandem PCIe solution contains extra *Physical Constraints*. These constraints instruct the implementation tools of the configuration frames that must be

loaded during the first stage. The Tandem constraints XDC is provided during core generation and should not be modification.



IMPORTANT: *Do not make any changes to the physical constraints defined in the XDC as the constraints are device dependent.*

They can be copied and pasted into existing designs targeting the same part and package. The instance names (INST) might change due to hierarchy differences when copying and pasting into existing designs. The following is a snippet of the Tandem PCIe specific constraints provided in the XDC file.

```
create_pblock fast_boot_region
add_cells_to_pblock [get_pblocks fast_boot_region] [get_cells -quiet [list
pcie3_7x_v2_0_0_i]]
resize_pblock [get_pblocks fast_boot_region] -add {SLICE_X192Y200:SLICE_X221Y299}
resize_pblock [get_pblocks fast_boot_region] -add {DSP48_X17Y100:DSP48_X17Y119}
resize_pblock [get_pblocks fast_boot_region] -add {RAMB18_X12Y80:RAMB18_X13Y119
RAMB18_X14Y100:RAMB18_X14Y119}
resize_pblock [get_pblocks fast_boot_region] -add {RAMB36_X12Y40:RAMB36_X13Y59
RAMB36_X14Y50:RAMB36_X14Y59}
resize_pblock [get_pblocks fast_boot_region] -add
{GTHE2_CHANNEL_X1Y16:GTHE2_CHANNEL_X1Y23}
resize_pblock [get_pblocks fast_boot_region] -add
{GTHE2_COMMON_X1Y4:GTHE2_COMMON_X1Y5}
resize_pblock [get_pblocks fast_boot_region] -add {PCIE3_X0Y1}
set_property CONTAIN_ROUTING 1 [get_pblocks fast_boot_region]
set_property EXCLUDE_PLACEMENT 1 [get_pblocks fast_boot_region]
set_property BOOT_BLOCK 1 [get_pblocks fast_boot_region]
set_false_path -from [get_pins pcie3_7x_v2_0_0_i/inst/sys_rst_n_int_reg/C]
```

In general, to achieve the best (smallest) first-stage bitstream size, you should consider the location for any I/Os that are intended to be configured in the first stage. I/Os that are physically placed a long distance from the core cause extra configuration frames to be included in the first stage. This is due to extra routing resources that are required to include these I/Os in the first stage.

Synthesis and Implementation

Additional design resources and elements critical to PCI Express functionality must be brought into the first stage bitstream. This is implemented using an external Tcl file which is generated during core generation. When running through the project based flow, the Tcl is invoked automatically prior to design optimization (`opt_design`).

Two bit files called `tandem_pcie_stage1.bit` and `tandem_pcie_stage2.bit` are created when Generate Bitstream is invoked. The bitstreams are delivered to the runs directory:

```
<project_name>/example_project/pcie3_7x_v2_0_0_example/pcie3_7x_v2_0_0_example.runs
/impl/[tandem_pcie_stage1.bit|tandem_pcie_stage2.bit]
```


When bit file generation is complete, a PROM file can be created. See [PROM Selection, page 181](#) to ensure the target PROM and configuration methodology can meet the 100 ms Power On Reset requirement dictated by the PCI Express specification.

The following promgen example demonstrates how to create a PROM file for the VC709 reference board. This might change depending on the chosen configuration methodology.

```
promgen -w -p mcs -spi -u 0x0 <yourbitfile>.bit
```

Tandem PCIe Details

I/O Behavior

For each I/O that is required for the PCI Express IP (other than I/O associated with the GTX/GTH/GTP transceivers), the entire bank in which that I/O resides must be configured in the first bitstream. For PCI Express, the only signal needed in the first stage is the `sys_rst_n` input port. Be aware that any second stage I/O in the same I/O bank as `sys_rst_n` port are configured with the first stage. Any pins in the same I/O bank as `sys_rst_n` are unconnected internally, so any output pins might show unknown behavior until their internal connections are complete. Also, components requiring initialization for second stage functionality should not be placed in these I/O banks unless these components are reset by the `user_reset_out` signal from PCI Express.

Configuration Pin Behavior

The DONE pin indicates completion of configuration with standard approaches. DONE is also used for Tandem Configuration, but in a slightly different manner. DONE pulses high at the end of the first stage, when the start-up sequences are run; it pulls high and stays high at the end of the second stage of configuration.

PROM Selection

Configuration PROMs have no specific requirements. However, to meet the 100 ms specification, you must select a PROM that meets the following three criteria:

1. Supported by Xilinx configuration.
2. Sized appropriately for both first and second stages; that is, the PROM must be able to contain the entire bitstream.
3. Meets the configuration time requirement for PCI Express based on the first-stage bitstream size and the calculations for the bitstream loading time.

See the *7 Series FPGAs Configuration User Guide (UG470)* [\[Ref 4\]](#) for a list of supported PROMs and device bitstream sizes.

Programming the Device

There are no special considerations for programming Tandem bitstreams versus standard bitstreams into a PROM. You can program a Tandem bitstream using all standard programming methods, such as JTAG, Slave and Master SelectMAP, SPI, and BPI. Regardless of the programming method used, the DONE pin is asserted after the first stage is loaded and operation begins.

Both internally generated CCLK and externally provided EMCCLK are supported for SPI and BPI programming. EMCCLK can be used to provide faster configuration rates due to tighter tolerances on the configuration clock. See the *7 Series FPGAs Configuration User Guide (UG470)* [Ref 4] for details on the use of EMCCLK with the Design Suite.

Tandem PCIe RTL Design

Tandem PCIe requires slight modifications from the non-tandem PCI Express product. This section indicates the additional logic integrated within the core and the additional responsibilities of the user application to implement a Tandem PCIe solution.

Tandem PCIe Ports

The core and example design contain ports (signals) specific to the Tandem PCIe. These signals provide handshaking between the first stage (the core) and the second stage (user logic). Handshaking is necessary for interaction between the core and the user logic. [Table 3-18](#) and [Table 3-19](#) define the handshaking ports on the core for the first and second stages, respectively.

Table 3-18: Tandem PCIe Handshaking During the First Stage

Name	Direction	Description
user_app_rdy	Output	This signal indicates that the Virtex-7 FPGA Gen3 Integrated Block for PCIe core recognizes that the first stage has been loaded successfully and is ready to configure the second stage bitstream.

Table 3-19: Tandem PCIe Handshaking During the Second Stage

Name	Direction	Description
user_app_rdy	Input	This signal is used to generate icap_rdy.
icap_rdy	Output	This signal indicates that the Virtex-7 FPGA Gen3 Integrated Block for PCIe core recognizes that the second stage of bitstream is successfully loaded and can begin interaction with the user application.

User Application Handshake

The tandem solution provides an alternating 8-bit pattern and pattern checker within the core. This pattern is defined as hexadecimal values 0x12 and 0x9A (these values are parameterized), which must alternate on every user_clk_out clock cycle and made

synchronous with respect to `conf_clk`. During the `opt` step of implementation, the logic for this pattern generator is moved into the second stage bitstream.

When the second stage finishes configuration and the FPGA start-up command is issued by the configuration controller, the pattern generator drives the alternating pattern into the first stage configuration. When the core detects this pattern, `user_app_rdy` and `icap_rdy` are asserted and control switches from the first stage PCIe controller to the second stage user design.

Multiplexing on Critical Inputs

Certain input ports to the core are multiplexed so that they are disabled during the second stage configuration process. These MUXes are located in the top-level core file, `pcie3_7x_v2_0.v`, and are controlled by the `icap_rdy` signal.

Note: The name of the top-level file changes based on the name used during core customization.

These inputs are held in a deasserted state while the second stage bitstream is loaded. This masks off any unwanted glitching from the second stage logic and keeps the PCIe core in a valid state. When `icap_rdy` is asserted, the MUXes are switched, and all signals behave as described in this document.

Tandem FPC

In addition to standard configuration requests, the PCI Express endpoint might receive TLP requests which are not processed within the PCI Express Hardblock. Typical TLP requests received during enumeration are Vendor Defined Messages and Read Requests. To avoid a lockup scenario within the PCI Express IP, TLP requests must be drained from the core to allow Configuration requests to be completed successfully. In a Tandem PCIe configuration, `1DW` memory write requests are also received with the payload of the second stage bitstream.

A Tandem FPC module is implemented to process these packets. All read requests are expected to be `1DW` and a CPLD is returned with a payload of `32'h0`. All Vendor Defined Message requests are purged from the cores receive buffer and no further processing is performed. Each Memory Write request targeting BAR6 is processed by the FPC and assumed to be second stage bitstream data. The payload is forwarded to the ICAP. After the second stage bitstream is loaded and `user_app_rdy` asserted, the Tandem FPC module becomes inactive.

Tandem PCIe VC709 Example Flow

Generating the Bitstream

This section demonstrates the Vivado tool flow from start to finish when targeting the VC709 reference board. Paths and pointers within this flow description assume the default component name `pcie3_7x_v2_0_0` is used.

Step 1: Open the example design

Generate the core as described in [Generating the Core, page 178](#).

The example design software attaches to the device through the Vendor ID and Device ID. The Vendor ID must be 16'h10EE and the Device ID must be 16'h7024, as shown in [Figure 3-76](#).

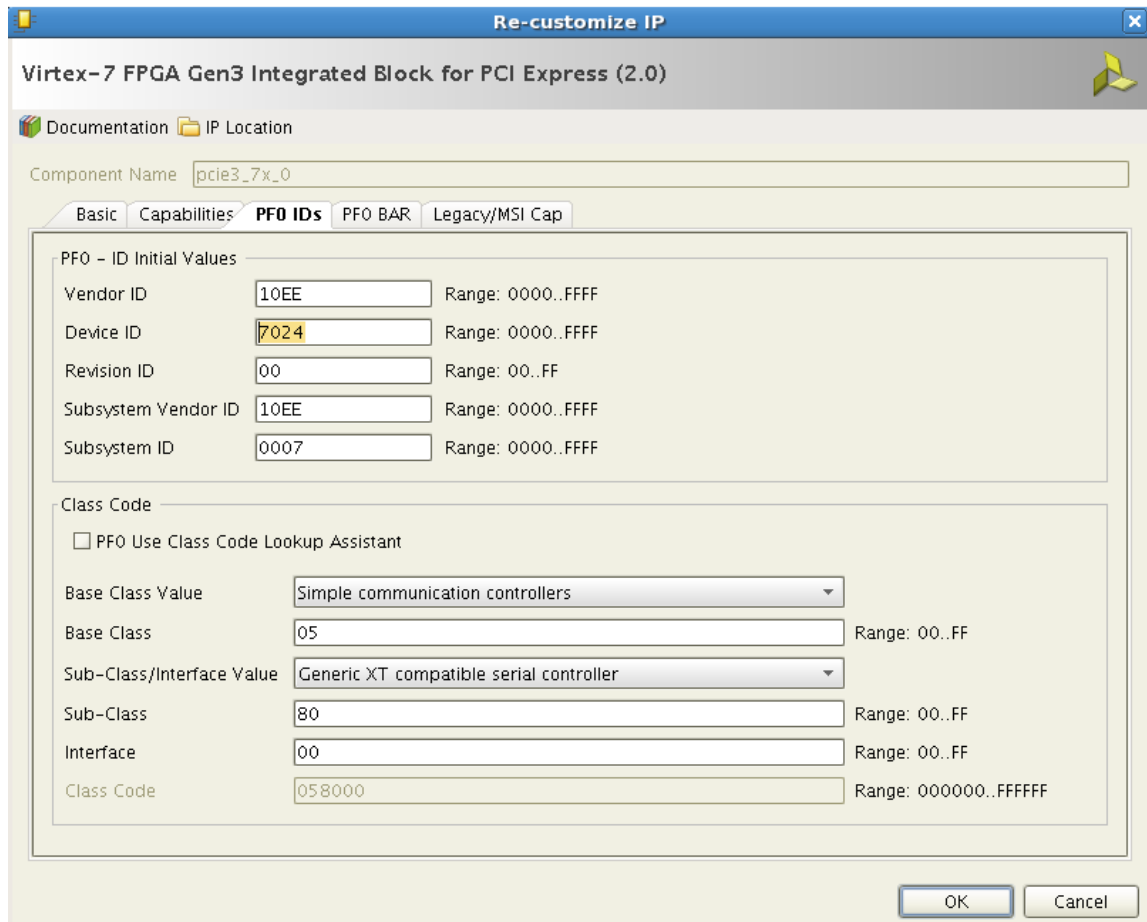


Figure 3-76: Vendor ID and Device ID

After core generation, the core hierarchy is available in the Sources tab in the Vivado Integrated Design Environment.

1. In the Source tab, right-click the core.
2. Select **Open IP Example Design**.

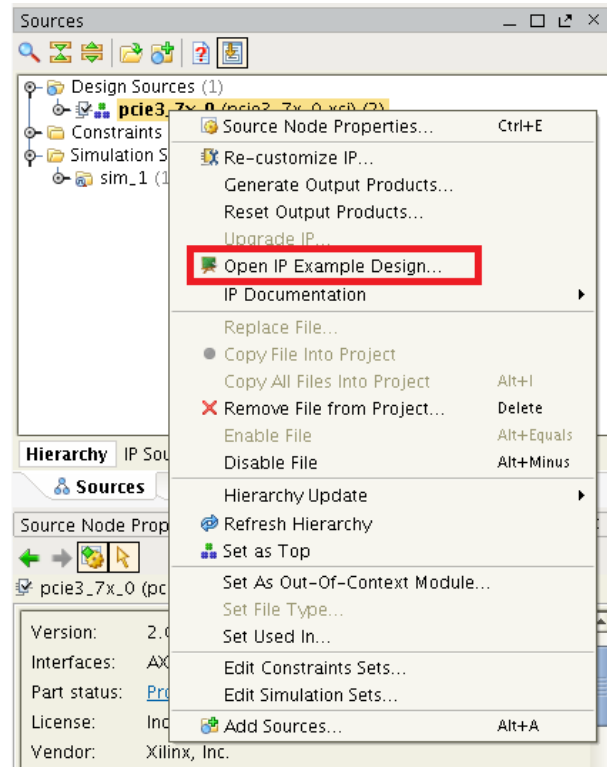


Figure 3-77: Open IP Example Design in Rick-Click Menu

A new instance of Vivado is created and the example design project is automatically loaded into the Vivado Interactive Design Environment.

Step 2: Run Synthesis/Implementation

Click **Run Implementation** in the Flow Navigator. Select **OK** to run through synthesis first. The design runs through the complete tool flow, and the end result is a fully routed design supporting Tandem PCIe.

Step 3: Generate the bitstream

After Synthesis and Implementation are complete, click **Generate Bitstream** in the Flow Navigator. The following four files are created and placed in the runs directory:

```
xilinx_pcie_3_0_ep_7x_tandem1.bit|
xilinx_pcie_3_0_ep_7x_tandem2.bit|
xilinx_pcie_3_0_ep_7x_tandem1.bin|
xilinx_pcie_3_0_ep_7x_tandem2.bin
```

Note: The .bit files allow you to control the loading of each stage through the JTAG interface and should be used for testing purposes only. The second stage .bin file is 32-bit word aligned and should be used to load the second stage configuration through the PCIe interface.

Step 4: Generate the PROM file for the first stage

Run the following command on the command line to create a PROM file supported on the VC709 development board.

```
promgen -w -p mcs -spi -u 0x0 "xilinx_pcie_3_0_ep_7x_tandem1.bi"
```

Loading the Second Stage Through PCI Express

An example kernel mode driver and user space application is provided with the IP. For information on retrieving the software and documentation, see AR [51950](#).

Tandem PROM/PCIe Resource Restrictions

The PCIe IP must not be reset after the second stage loads. As a result, first stage and second stage logic cannot reside within the same configuration frames. Configuration frames used by the PCIe IP consist of serial transceivers, I/O, FPGA logic, block RAM, or Clocking, and they span a single clock region. The resource restrictions are as follows:

- The PCIe IP uses a single MMCM and associated BUFs to generate the required clocks. Unused resources within these frames are not available to the user application (second stage). Additional resources within the clocking frame are the PLL, Phaser, and INOUT FIFO.
- A GT quad contains four serial transceivers. In a X1 or X2 designs, the entire GT quad is consumed and the unused serial transceivers are not available to the user application. Current implementations require that two GT quads be consumed regardless of the link width configuration.
- DCI Cascading between a first stage I/O bank and a second stage I/O bank is not supported.

Calculating Bitstream Load Time for Tandem PROM and Tandem PCIe

The configuration loading time is a function of the configuration clock frequency and precision, data width of the configuration interface, and bitstream size. The calculation is broken down into three steps:

1. Calculate the minimum clock frequency based on the nominal clock frequency and subtract any variation from the nominal.

$$\text{Minimum Clock Frequency} = \text{Nominal Clock} - \text{Clock Variation}$$

2. Calculate the minimum PROM bandwidth, which is a function of the data bus width, clock frequency, and PROM type. The PROM bandwidth is the minimum clock frequency multiplied by the bus width.

$$\text{PROM Bandwidth} = \text{Minimum Clock Frequency} * \text{Bus Width}$$

3. Calculate the first-stage bitstream loading time, which is the minimum PROM bandwidth from [step 2](#), divided by the first-stage bitstream size as reported by BitGen.

$$\text{First Stage Load Time} = (\text{PROM Bandwidth}) / (\text{First Stage Bitstream Size})$$

The first stage bitstream size, reported by BitGen, can be read directly from the terminal or from the log file (BGN).

Here is a snippet from the BGN file showing the bitstream size for the first stage:

```
Saving bitstream in "routed.bit".
Writing fast boot bitstream.
Fast boot bitstream contains 12003648 bits.
Writing user design bitstream.
Saving bitstream in "routed.rbt".
Bitstream generation is complete.
```

Example 1

The configuration for Example 1 is:

- QSPI (x4) operating at 66 MHz \pm 200 ppm
- First stage size = 12003648 bits

The steps to calculate the configuration loading time are:

1. Calculate the minimum clock frequency:

$$66 \text{ MHz} * (1 - 0.0002) = 65.98 \text{ MHz}$$

2. Calculate the minimum PROM bandwidth:

$$4 \text{ bits} * 65.98 \text{ MHz} = 263.92 \text{ Mb/s}$$

3. Calculate the first-stage bitstream loading time:

$$12.004 \text{ Mb} / 263.92 \text{ Mb/s} = \sim 0.0455 \text{ s or } 45.5 \text{ ms}$$

Example 2

The configuration for Example 2 is:

- BPI (x16) Synchronous mode, operating at 50 MHz \pm 100 ppm
- First Stage size = 12003648 bits

The steps to calculate the configuration loading time are:

1. Calculate the minimum clock frequency:

$$50 \text{ MHz} * (1 - 0.0001) = 49.995 \text{ MHz}$$

2. Calculate the minimum PROM bandwidth:

$$16 \text{ bits} * 49.995 \text{ MHz} = 799.92 \text{ Mb/s}$$

3. Calculate the first-stage bitstream loading time:

$$12.004 \text{ (Mb)} / 799.92 \text{ (Mb/s)} = \sim 0.015 \text{ s or } 15 \text{ ms}$$

Other Bitstream Load Time Considerations

Bitstream configuration times can also be affected by:

- Power supply ramp times, including any delays due to regulators
- T_{POR} (power on reset)

Power-supply ramp times are design-dependent. Take care to not design in large ramp times or delays. The FPGA power supplies that must be provided to begin FPGA configuration are listed in *7 Series FPGAs Configuration User Guide (UG470)* [Ref 4].

Virtex-7 FPGAs have introduced a fast T_{POR} ramp mechanism. For more information, see the *Virtex-7 FPGAs Data Sheet: DC and Switching Characteristics (DS183)* [Ref 3].

In many cases, the FPGA power supplies can ramp up simultaneously or even slightly before the system power supply. In these cases, the design gains timing margin because the 100 ms does not start counting until the system supplies are stable. Again, this is design-dependent. Systems should be characterized to determine the relationship between FPGA supplies and system supplies.

T_{POR} is 50 ms and fixed for Virtex-7 devices. See *Virtex-7 FPGAs Data Sheet: DC and AC Switching Characteristics (DS183)* [Ref 3].

Consider two cases for Example 1 (QSPI [x4] operating at 66 MHz \pm 200 ppm) from [Calculating Bitstream Load Time for Tandem PROM and Tandem PCIe](#):

- [Case 1: Without ATX Supply](#)
- [Case 2: With ATX Supply](#)

Assume that the FPGA power supplies ramp to a stable level (2 ms) after the 3.3V and 12V system power supplies. This time difference is called T_{FPGA_PWR} . In this case, because the FPGA supplies ramp after the system supplies, the power supply ramp time takes away from the 100 ms margin.

The equations to test are:

$$T_{POR} + \text{Bitstream Load Time} + T_{FPGA_PWR} < 100 \text{ ms for non-ATX}$$

$$T_{POR} + \text{Bitstream Load Time} + T_{FPGA_PWR} - 100 \text{ ms} < 100 \text{ ms for ATX}$$

Case 1: Without ATX Supply

Because there is no ATX supply, the 100 ms begins counting when the 3.3V and 12 V system supplies reach within 9% and 8% of their nominal voltages, respectively (see the *PCI Express Card Electromechanical Specification* [\[Ref 2\]](#)).

$$50 \text{ ms } (T_{POR}) + 45.5 \text{ ms (bitstream time)} + 2 \text{ ms (ramp time)} = 97.5 \text{ ms}$$

$$97.5 \text{ ms} < 100 \text{ ms PCIe standard (okay)}$$

In this case, the margin is 2.5 ms.

Case 2: With ATX Supply

ATX supplies provide a PWR_OK signal that indicates when system power supplies are stable. This signal is asserted at least 100 ms after actual supplies are stable. Thus, this extra 100 ms can be added to the timing margin.

$$50 \text{ ms } (T_{POR}) + 45.5 \text{ ms (bitstream time)} + 2 \text{ ms (ramp time)} - 100 \text{ ms} = -2 \text{ ms}$$

$$-2.5 \text{ ms} < 100 \text{ ms PCIe standard (okay)}$$

In this case, the margin is 102.5 ms.

Non-Project Flow

In a non-project environment, the generation of IP and tool flow is invoked through Tcl. To create a PCI Express IP using Tcl commands:

1. Create the IP.
2. Set properties on the IP.

Note: To identify property values, generate the IP within the project-based environment. When generating the core, the Tcl `set_property` commands are written out to the console.

When implementing a Tandem Configuration design in a non-project environment, the external Tcl file used to pull critical PCI Express elements into the first stage must be executed manually. For details, see [Synthesis and Implementation, page 169](#). The Tcl is generated with the IP and must be executed prior to running design optimization (`opt_design`).

To execute the Tcl, run the following command:

```
source ./<ip_source_files_path>/build_stage1.tcl
```

After IP generation, customization, and integration is complete, the standard tool flow can be run, such as, `synth_design`, `opt_design`, `place_design`, and `route_design`.

Known Restrictions

This section describes several restrictions and anomalies in the functionality of the Virtex-7 FPGA Gen3 Integrated Block for PCI Express core. This section also clearly describes the user action required to work around the restrictions and anomalies. In some cases, there are no workarounds available. Wherever applicable, the availability of the workaround in the core wrapper is indicated.



RECOMMENDED: *Before proceeding to design, read these descriptions and workarounds carefully to understand their potential impacts on your design.*

Poisoned Atomic Completion Unsupported Request

Description

When a Poisoned Atomic packet is received that results in an unsupported request (UR) being generated by the core, the byte count in the UR completion packet has an incorrect byte count.

Workaround

This issue can be avoided in several ways.

1. Do not poison atomic transactions that are sent to the PCI Express core.
2. Ensure that poisoned atomic packets that are sent do not have an error resulting in a UR.
3. Ensure that the device that receives the upstream UR can tolerate an incorrect byte count.

Memory Read Lock That Misses BAR

Description

When a Memory Read Locked (MRdLk) packet is received and it does not “hit” any BAR, a completion (Cpl) instead of a completion lock (CplLk) is used to respond.

Workaround

Locked transactions are very rare and have been deprecated from the PCI Express Base Specification. To avoid this error, ensure that MRdLk transactions hit a defined BAR.

SRIOV MSI Pending Bits

Description

The SRIOV MSI capability virtual function is missing the Pending Bits Register.

Workaround

MSI-X must be used in place of MSI when using SRIOV. MSI-X contains all of the functionality of MSI plus additional functionality.

Root Port “Signaled System Error” Bit

Description

When operating in Root Port mode, the “Signaled System Error” bit in the type 1 PCI Configuration Space Header “Status” field (0x06h) is incorrectly set when a correctable error (ERRCOR) is received.

Workaround

When operating in Root Port mode, you can monitor the output signal `cfg_err_cor_out` and if this signal is asserted, clear the “Signal System Error” bit using a configuration write.

Root Port De-Emphasis

Description

When operating in Root Port mode at 5.0 GT/s speed, de-emphasis is not selectable and is always -6 dB.

Workaround

In most cases, -6dB does not have any impact on a design. For designs with very short trace lengths, the link can become over equalized resulting in bit errors which might degrade the link performance. If you plan to use Root Port, ensure that the board operates with de-emphasis always set to -3.5 dB.

Root PORT LABS Bit

Description

When operating in Root Port mode, the Link Autonomous Bandwidth Status (LABS) bit does not appear to be set in the Link Status register (0x06h).

Workaround

The link autonomously changes and `cfg_pl_status_change` operates correctly based on an autonomous link change even though the LABS bit does not update with the correct value.

Root Port Received Master Abort

Description

When operating in Root Port mode, the "Received Master Abort" bit in the Status register (0x06h) is incorrectly set when a Completion with Unsupported Request Completion Status is received. In addition, the "Received Master Abort" bit in the Secondary Status register (0x1E) is not set.

Workaround

This is a status bit that has no impact on the core. Be aware that the "Received Master Abort" bit in register 0x06h and 0x1E behave the opposite of what is expected when a Completion with an Unsupported Request is received.

Customizing and Generating the Core

This chapter includes information on using the Vivado™ Design Suite to customize and generate the core.

Graphical User Interface (GUI)

The LogiCORE™ IP Virtex®-7 FPGA Gen3 Integrated Block for PCI Express® core is a fully configurable and highly customizable solution. The core is customized in the Vivado IP catalog.

Note: The screen captures in this chapter are conceptual representatives of their subjects and provide general information only. For the latest information, see the Vivado Design Suite.

Customizing the Core using the Vivado IP Catalog

The Vivado Design Suite IP catalog for the Virtex-7 FPGA Gen3 Integrated Block for PCIe core consists two modes: [Basic Mode](#) and [Advanced Mode](#). To select a mode, use the Mode drop-down list on the first page of the Customize IP dialog box.

Basic Mode

The Basic mode parameters are in the following pages:

- [Basic](#)
- [Capabilities](#)
- [Identity Settings \(PF0 IDs and PF1 IDs\)](#)
- [Base Address Registers \(PF0 and PF1\)](#)
- [Legacy/MSI Capabilities](#)

Basic

Basic Parameter Settings

The initial customization screen shown in [Figure 4-1](#) is used to define the basic parameters for the core, including the component name, reference clock frequency, and silicon type.

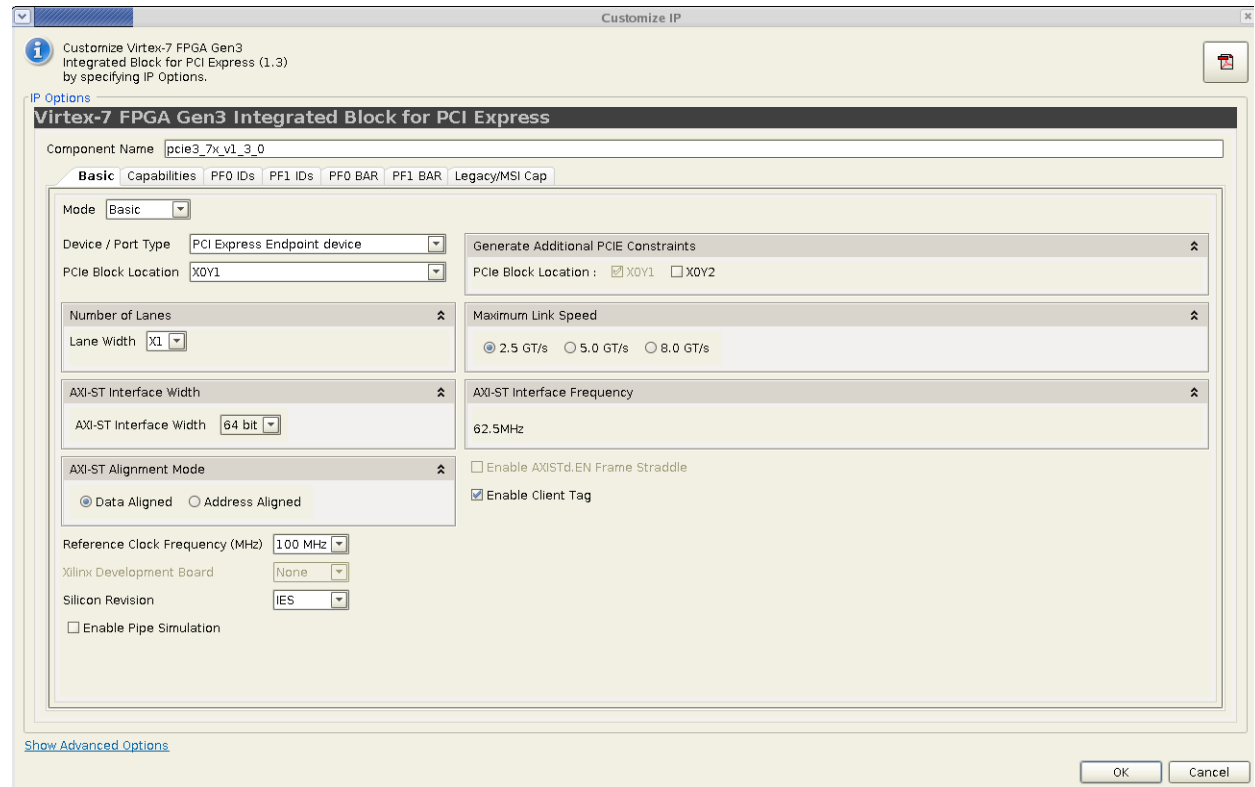


Figure 4-1: Virtex-7 FPGA Gen3 Integrated Block for PCI Express Parameters

Component Name

Base name of the output files generated for the core. The name must begin with a letter and can be composed of these characters: a to z, 0 to 9, and “_.”

Mode

Allows you to select the Basic or Advanced mode of the configuration of core.

PCIe Device / Port Type

Indicates the PCI Express logical device type.

PCIe Block Location

Selects from the available Integrated Blocks to enable generation of location-specific constraint files and pinouts. This selection is used in the default example design scripts.

This option is not available if a Xilinx Development Board is selected.

Generate Additional PCIe Constraints

Allows you to generate additional constraints files for other blocks available in the device.

This option is not available if a Xilinx Development Board is selected.

Number of Lanes

The core requires the selection of the initial lane width. [Figure 4-1](#) defines the available widths and associated generated core. Wider lane width cores can train down to smaller lane widths if attached to a smaller lane-width device. See [Link Training: 2-Lane, 4-Lane, and 8-Lane Components, page 163](#) for more information.

Table 4-1: Lane Width and Product Generated

Lane Width	Product Generated
x1	1-Lane Virtex-7 FPGA Gen3 Integrated Block for PCI Express
x2	2-Lane Virtex-7 FPGA Gen3 Integrated Block for PCI Express
x4	4-Lane Virtex-7 FPGA Gen3 Integrated Block for PCI Express
x8	8-Lane Virtex-7 FPGA Gen3 Integrated Block for PCI Express

Maximum Link Speed

The core allows you to select the Maximum Link Speed supported by the device. [Table 4-2](#) defines the lane widths and link speeds supported by the device. Higher link speed cores are capable of training to a lower link speed if connected to a lower link speed capable device.

Table 4-2: Lane Width and Link Speed

Lane Width	Link Speed
x1	2.5 Gb/s, 5 Gb/s, 8 Gb/s
x2	2.5 Gb/s, 5 Gb/s, 8 Gb/s
x4	2.5 Gb/s, 5 Gb/s, 8 Gb/s
x8	2.5 Gb/s, 5 Gb/s, 8 Gb/s

AXI-ST Interface Width

The core allows you to select the Interface Width, as defined in [Table 4-3](#). The default interface width set in the Customize IP dialog box is the lowest possible interface width.

Table 4-3: Lane Width, Link Speed, and Interface Width

Lane Width	Link Speed (Gb/s)	Interface Width (Bits)
x1	2.5, 5.0, 8.0	64
x2	2.5, 5.0	64
x2	8.0	64, 128
x4	2.5	64
x4	5.0	64, 128
x4	8.0	128, 256
x8	2.5	64, 128
x8	5.0	128, 256
x8	8.0	256

AXI-ST Interface Frequency

The frequency is set to 62.5Mhz.

AXI-ST Alignment Mode

When a payload is present, there are two options for aligning the first byte of the payload with respect to the datapath. See [Data Alignment Options, page 81](#).

Requestor Completion Straddle

The core provides an option to straddle packets on the Requestor Completion interface when the interface width is 256 bits. See [Straddle Option for 256-Bit Interface, page 149](#).

Enable Client Tag

Enables you to use the client Tag.

Reference Clock Frequency

Selects the frequency of the reference clock provided on `sys_clk`. For important information about clocking the core, see [Clocking, page 74](#).

Xilinx Development Board

Selects the Xilinx Development Board to enable the generation of Xilinx Development Board-specific constraints files.

Silicon Type

Selects the silicon type.

Enable Pipe Simulation

When this box is checked, generates a core that can be simulated with pipe interfaces connected.

Capabilities

The Capabilities settings page is shown in [Figure 4-2](#).

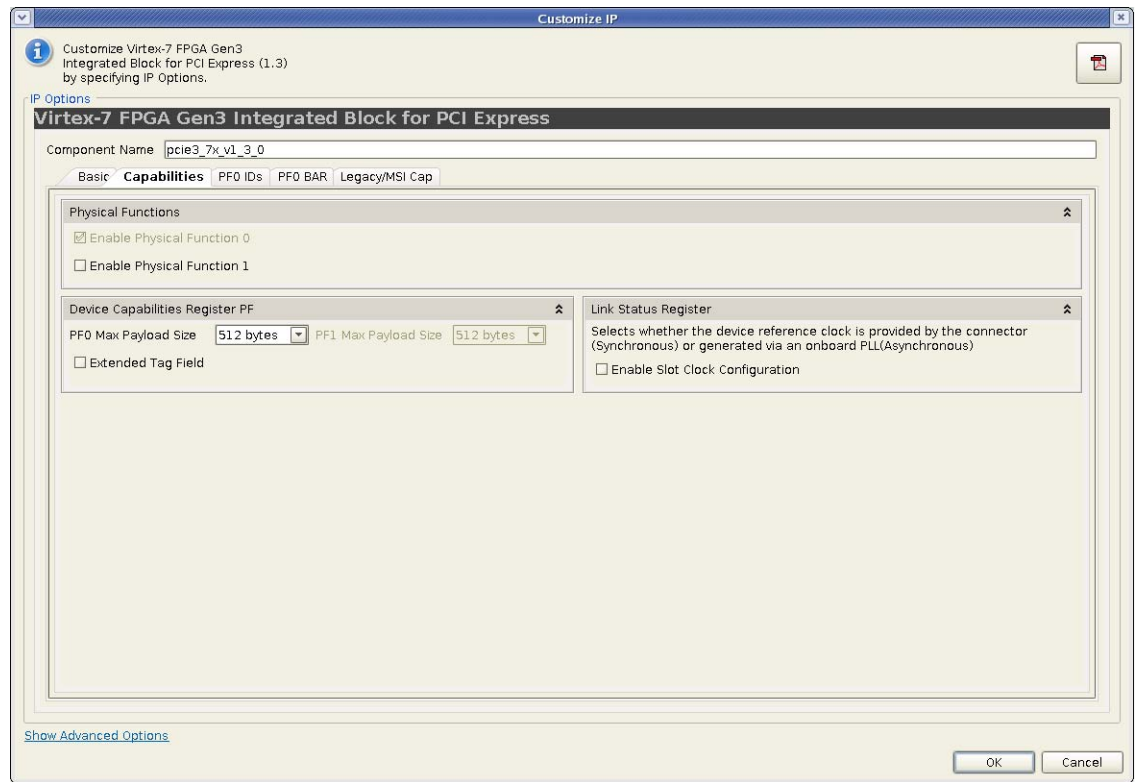


Figure 4-2: Capabilities Settings

Enable Physical Function 0 and 1

The core implements an additional Physical Function (PF).

The Integrated Block implements up to six Virtual Functions that are associated to either PF0 or PF1 (if enabled).

MPS

This field indicates the maximum payload size that the device or function can support for TLPs. This is the value advertised to the system in the Device Capabilities Register.

Extended Tag

This field indicates the maximum supported size of the Tag field as a Requester. The options are:

- When selected, 6-bit Tag field support
- When deselected, 5-bit Tag field support

Slot Clock Configuration

Enables the Slot Clock Configuration bit in the Link Status register. When you select this option, the link is synchronously clocked. For more information on clocking options, see [Clocking, page 74](#).

Identity Settings (PF0 IDs and PF1 IDs)

The Identity Settings pages are shown in [Figure 4-3](#) and [Figure 4-4](#). These settings customize the IP initial values, class code, and Cardbus CIS pointer information. The page for Physical Function 1 (PF1) is only displayed when PF1 is enabled.

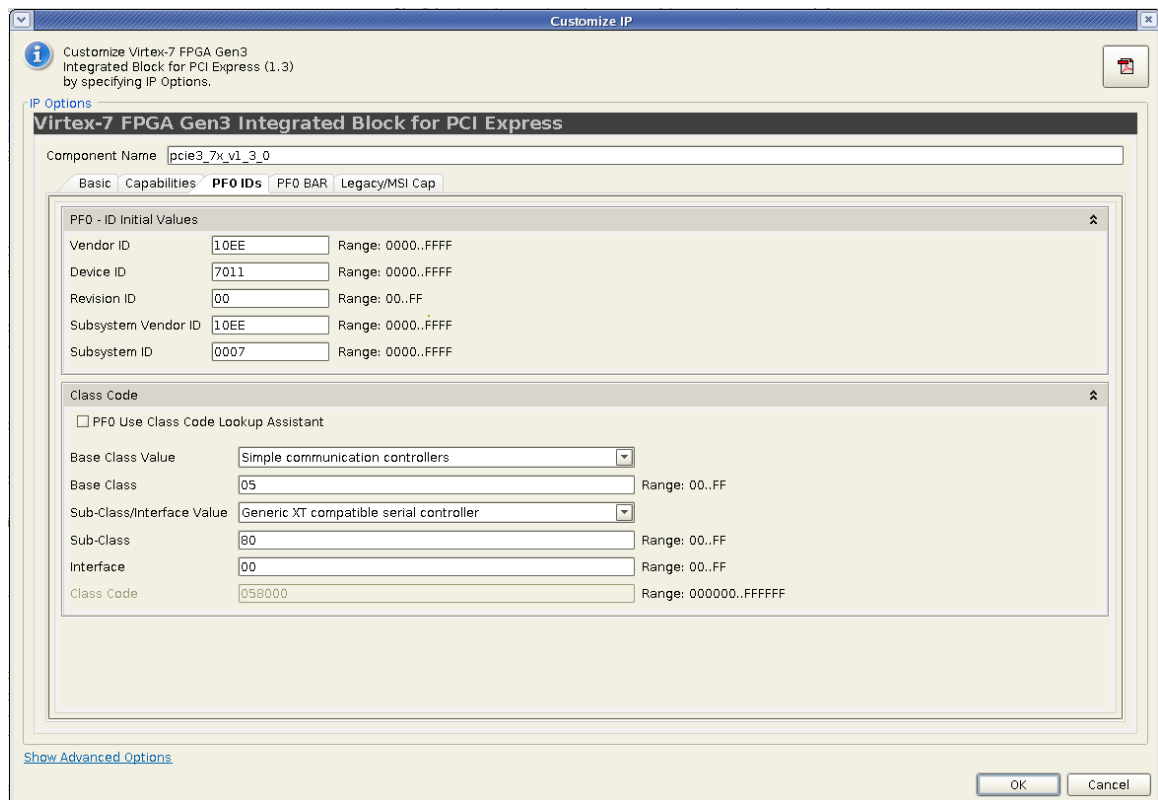


Figure 4-3: Identity Settings (PF0)

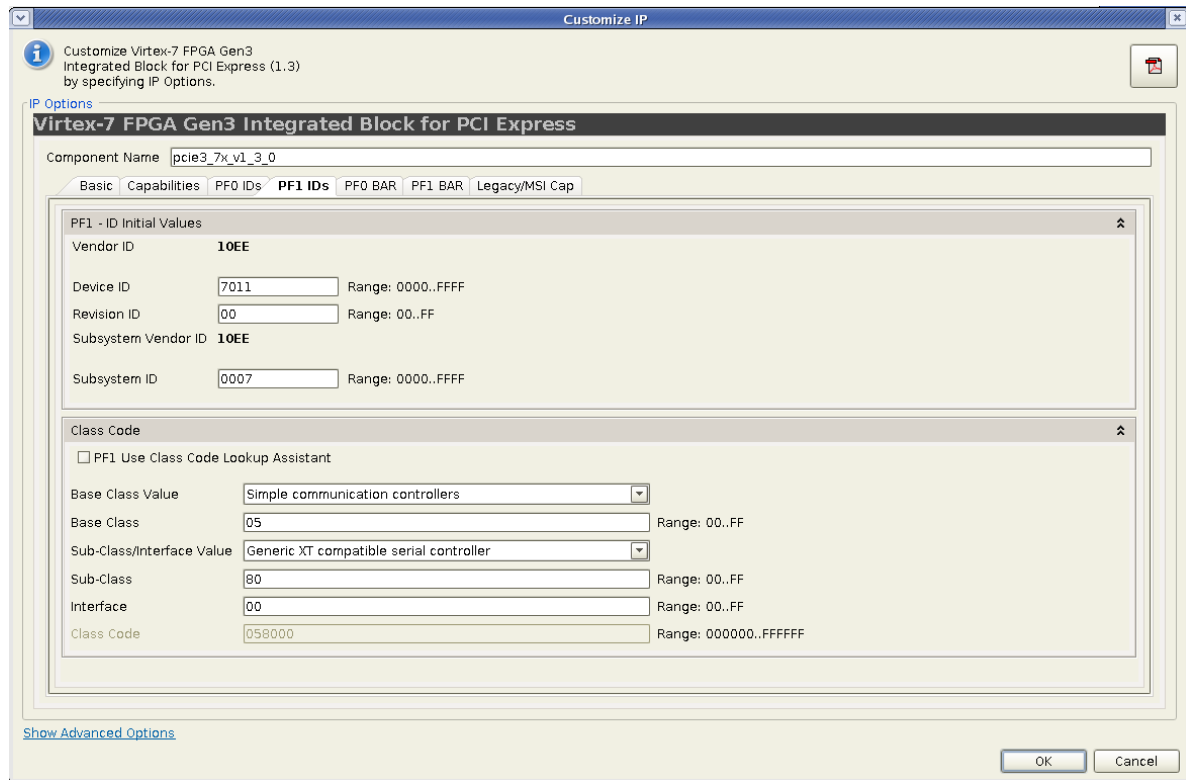


Figure 4-4: Identity Settings (PF1)

PF0 ID Initial Values

- **Vendor ID:** Identifies the manufacturer of the device or application. Valid identifiers are assigned by the PCI Special Interest Group to guarantee that each identifier is unique. The default value, 10EEh, is the Vendor ID for Xilinx. Enter a vendor identification number here. FFFFh is reserved.
- **Device ID:** A unique identifier for the application; the default value, which depends on the configuration selected, is 70<link speed> <link width>h. This field can be any value; change this value for the application.
- **Revision ID:** Indicates the revision of the device or application; an extension of the Device ID. The default value is 00h; enter values appropriate for the application.
- **Subsystem Vendor ID:** Further qualifies the manufacturer of the device or application. Enter a Subsystem Vendor ID here; the default value is 10EEh. Typically, this value is the same as Vendor ID. Setting the value to 0000h can cause compliance testing issues.
- **Subsystem ID:** Further qualifies the manufacturer of the device or application. This value is typically the same as the Device ID; the default value depends on the lane width and link speed selected. Setting the value to 0000h can cause compliance testing issues.

Class Code

The Class Code identifies the general function of a device, and is divided into three byte-size fields:

- **Base Class:** Broadly identifies the type of function performed by the device.
- **Sub-Class:** More specifically identifies the device function.
- **Interface:** Defines a specific register-level programming interface, if any, allowing device-independent software to interface with the device.

Class code encoding can be found at www.pcisig.com.

Class Code Look-up Assistant

The Class Code Look-up Assistant provides the Base Class, Sub-Class and Interface values for a selected general function of a device. This Look-up Assistant tool only displays the three values for a selected function. The user must enter the values in [Class Code](#) for these values to be translated into device settings.

Base Address Registers (PF0 and PF1)

The Base Address Registers (BARs) screens shown in [Figure 4-5](#) and [Figure 4-6](#) set the base address register space for the Endpoint configuration. Each BAR (0 through 5) configures the BAR Aperture Size and Control attributes of the Physical Function as described in [Table D-1](#).

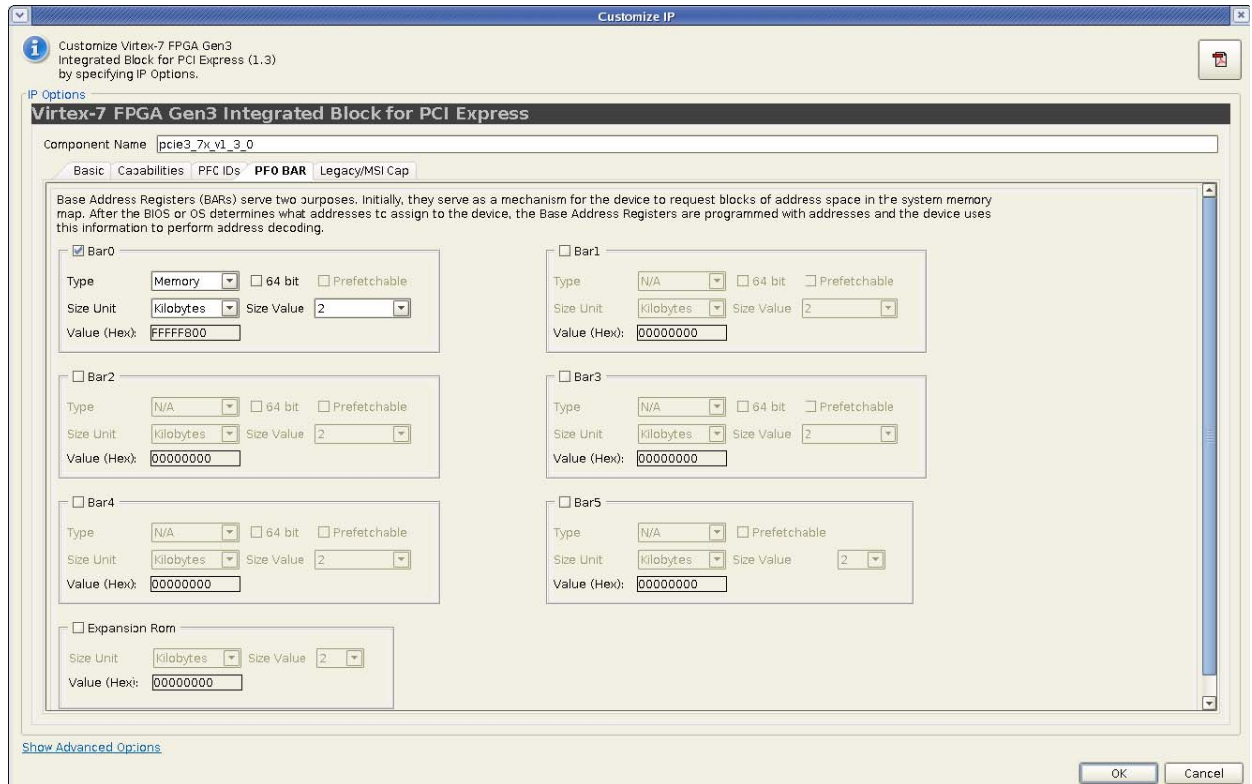


Figure 4-5: Base Address Register (PF0)

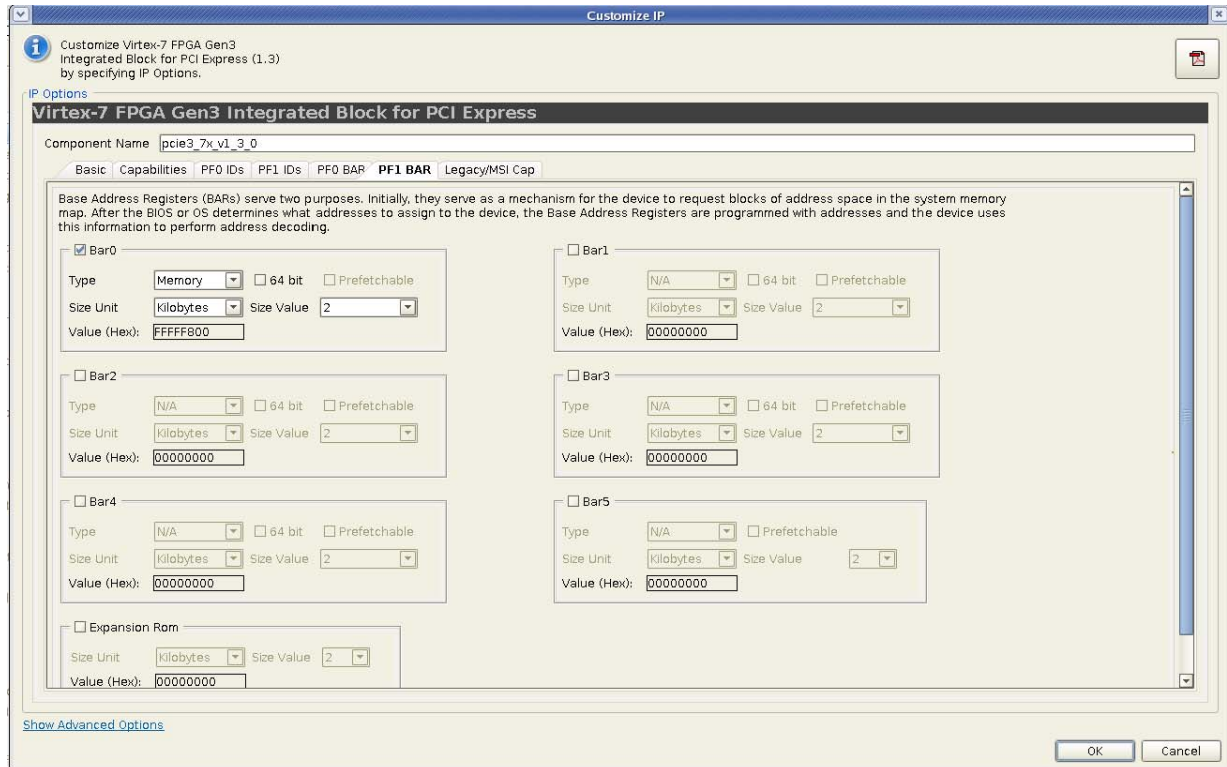


Figure 4-6: Base Address Register (PF1)

Base Address Register Overview

In Endpoint configuration, the core supports up to six 32-bit BARs or three 64-bit BARs, and the Expansion read-only memory (ROM) BAR. In Root Port configuration, the core supports up to two 32-bit BARs or one 64-bit BAR, and the Expansion ROM BAR.

BARs can be one of two sizes:

- **32-bit BARs:** The address space can be as small as 16 bytes or as large as 2 gigabytes. Used for Memory to I/O.
- **64-bit BARs:** The address space can be as small as 128 bytes or as large as 8 exabytes. Used for Memory only.

All BAR registers share these options:

- **Checkbox:** Click the checkbox to enable the BAR; deselect the checkbox to disable the BAR.
- **Type:** BARs can either be I/O or Memory.
 - *I/O:* I/O BARs can only be 32-bit; the Prefetchable option does not apply to I/O BARs. I/O BARs are only enabled for the Legacy PCI Express Endpoint core.

- **Memory:** Memory BARs can be either 64-bit or 32-bit and can be prefetchable. When a BAR is set as 64 bits, it uses the next BAR for the extended address space and makes the next BAR inaccessible to the user.
- **Size:** The available Size range depends on the PCIe Device/Port Type and the Type of BAR selected. [Table 4-4](#) lists the available BAR size ranges.

Table 4-4: BAR Size Ranges for Device Configuration

PCIe Device / Port Type	BAR Type	BAR Size Range
PCI Express Endpoint	32-bit Memory	128 Bytes – 2 Gigabytes
	64-bit Memory	128 Bytes – 8 Exabytes
Legacy PCI Express Endpoint	32-bit Memory	16 Bytes – 2 Gigabytes
	64-bit Memory	16 Bytes – 8 Exabytes
	I/O	16 Bytes – 2 Gigabytes

- **Prefetchable:** Identifies the ability of the memory space to be prefetched.
- **Value:** The value assigned to the BAR based on the current selections.

For more information about managing the Base Address Register settings, see [Managing Base Address Register Settings](#).

Expansion ROM Base Address Register

If selected, the Expansion ROM is activated and can be a value from 2 KB to 4 GB. According to the *PCI 3.0 Local Bus Specification* [Ref 2], the maximum size for the Expansion ROM BAR should be no larger than 16 MB. Selecting an address space larger than 16 MB can result in a non-compliant core.

Managing Base Address Register Settings

Memory, I/O, Type, and Prefetchable settings are handled by setting the appropriate GUI settings for the desired base address register.

Memory or I/O settings indicate whether the address space is defined as memory or I/O. The base address register only responds to commands that access the specified address space. Generally, memory spaces less than 4 KB in size should be avoided. The minimum I/O space allowed is 16 bytes; use of I/O space should be avoided in all new designs.

Prefetchability is the ability of memory space to be prefetched. A memory space is prefetchable if there are no side effects on reads (that is, data is not destroyed by reading, as from a RAM). Byte write operations can be merged into a single double word write, when applicable.

When configuring the core as an Endpoint for PCIe (non-Legacy), 64-bit addressing must be supported for all BARs (except BAR5) that have the prefetchable bit set. 32-bit addressing is permitted for all BARs that do not have the prefetchable bit set. The prefetchable

bit-related requirement does not apply to a Legacy Endpoint. The minimum memory address range supported by a BAR is 128 bytes for a PCI Express Endpoint and 16 bytes for a Legacy PCI Express Endpoint.

Disabling Unused Resources

For best results, disable unused base address registers to conserve system resources. A base address register is disabled by deselecting unused BARs in the GUI.

Legacy/MSI Capabilities

On this page, you set the Legacy Interrupt Settings and MSI Capabilities for all applicable Physical and Virtual Functions.

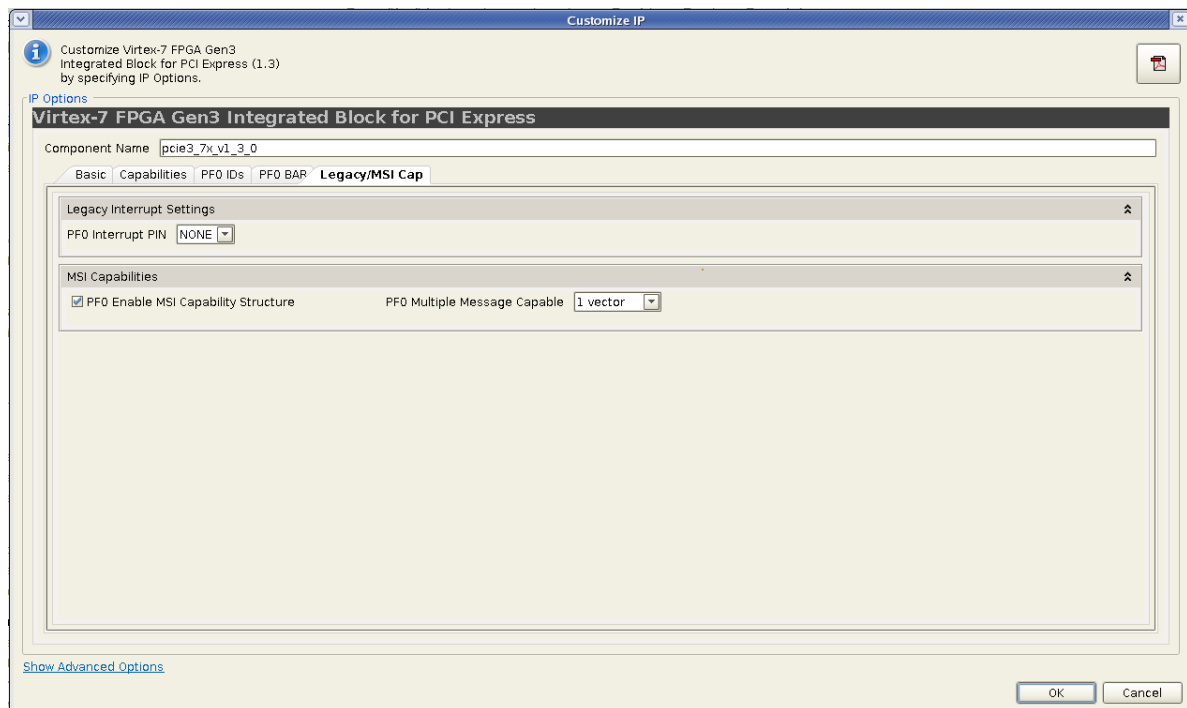


Figure 4-7: Legacy/MSI Capabilities

Legacy Interrupt Settings

- **Enable INTX:** Enables the ability of the PCI Express function to generate INTx interrupts.
- **Interrupt PIN:** Indicates the mapping for Legacy Interrupt messages. A setting of "None" indicates no Legacy Interrupts are used.

MSI Capabilities

- **Enable MSI Capability Structure:** Indicates that the MSI Capability structure exists.
Note: Although it is possible not to enable MSI or MSI-X, the result would be a non-compliant core. The *PCI Express Base Specification* [Ref 2] requires that MSI, MSI-X, or both be enabled.
- **Multiple Message Capable:** Selects the number of MSI vectors to request from the Root Complex.
- **Per Vector Masking Capable:** Indicates that the function supports MSI per-vector Masking.

Advanced Mode

In Advanced Mode, the GUI consists of the following pages:

- [Basic](#)
- [Capabilities](#)
- [PF0 ID and PF1 ID](#)
- [PF0 BAR and PF1 BAR](#)
- [SRIOV Config \(PF0 and PF1\)](#)
- [PF0 SRIOV BARs and PF1 SRIVO BARs](#)
- [Legacy/MSI Capabilities](#)
- [MSI-X Capabilities](#)
- [Power Management](#)
- [Extended Capabilities 1 and Extended Capabilities 2](#)

Basic

The Basic setting page is the same for both Basic or Advanced modes. See [Basic, page 194](#).

Capabilities

The Capabilities settings for Advanced mode contains three additional parameters those for Basic mode. For a description of the basic mode settings, see [Capabilities, page 197](#). The Advanced mode settings are described below.

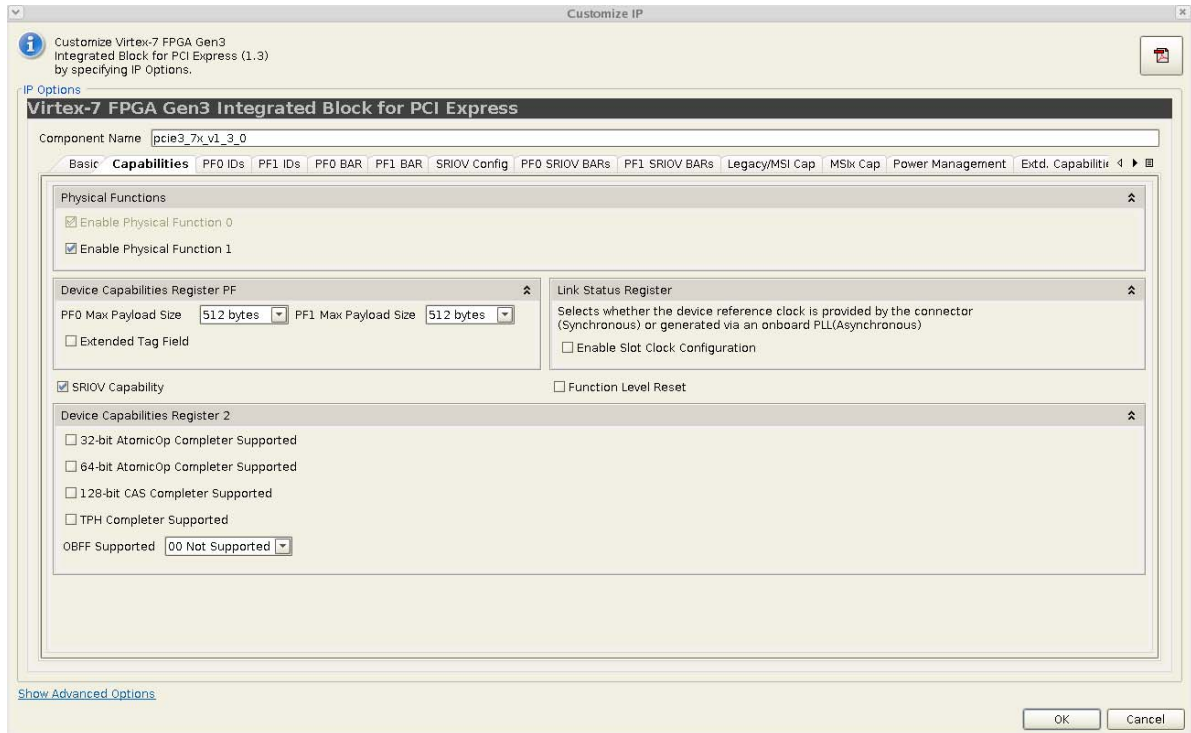


Figure 4-8: Capabilities Settings (Advanced Mode)

SRIOV Capabilities

Enables Single Root Port I/O Virtualization (SRIOV) Capabilities. The Integrated Block implements the Single Root Port I/O Virtualization PCIe extended capability. When this capability is enabled, the SRIOV capability is implemented for both PF0 and PF1 (if selected).

Function Level Reset

Indicates the Function Level Reset is enabled. The Integrated Block enables you to reset a specific device function. This mechanism is only applicable to Endpoint configurations.

Device Capabilities Registers 2

Device Capability Register 2 Settings: Specifies options for AtomicOps and TPH Completer Support. See the Device Capability Register 2 description in Chapter 7 of the *PCI Express Base Specification* [Ref 2] for more information. These settings apply to both Physical Functions, if PF1 is enabled.

PF0 ID and PF1 ID

The Identity settings (PF0 and PF1 Initial ID) are the same for both Basic and Advanced modes. See [Identity Settings \(PF0 IDs and PF1 IDs\)](#), page 198.

PF0 BAR and PF1 BAR

The PF0 and PF1 BAR settings are the same for both Basic and Advanced modes. See [Base Address Registers \(PF0 and PF1\)](#), page 200.

SRIOV Config (PF0 and PF1)

The SRIOV Config page is shown in [Figure 4-9](#).

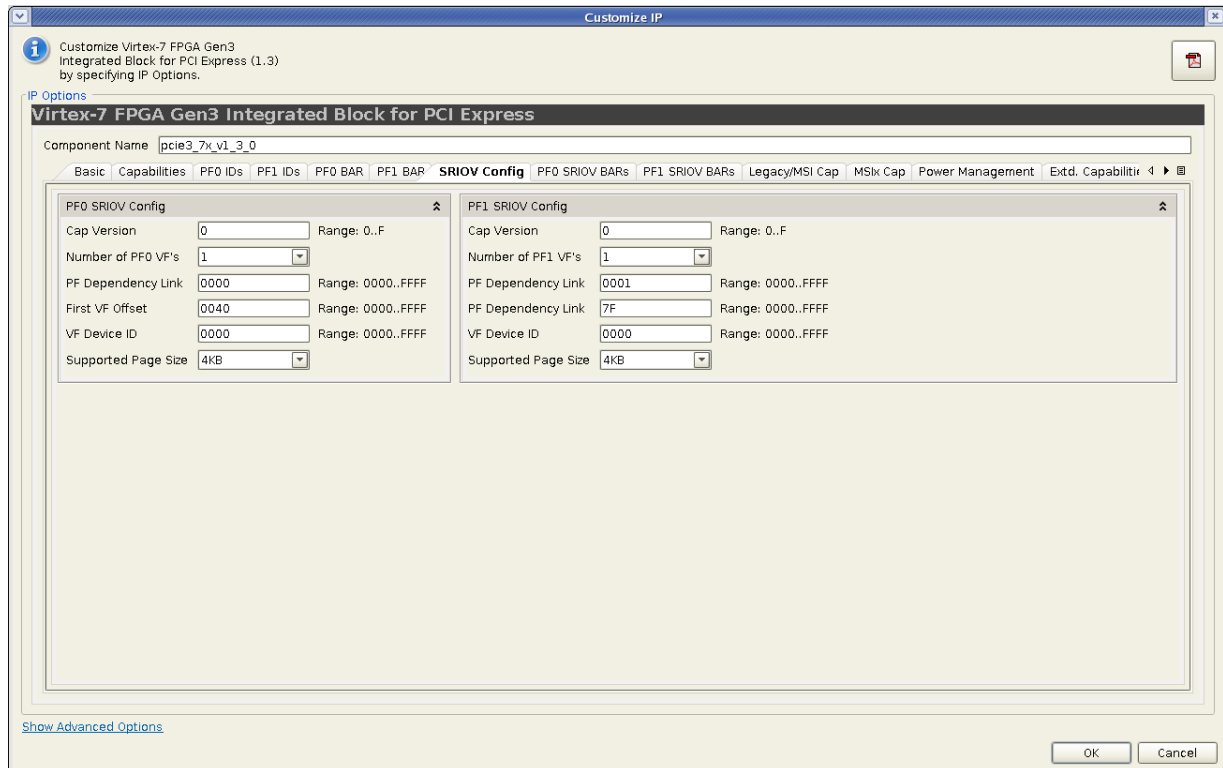


Figure 4-9: SRIOV Config (PF0 and PF1)

SRIOV Capability Version

Indicates the 4-bit SRIOV Capability Version for the Physical Function.

SRIOV Function Select

Indicates the number of Virtual Functions associated to the Physical Function. A maximum of six Virtual Functions are available to PF0 and PF1.

SRIOV Functional Dependency Link

Indicates the SRIOV Functional Dependency Link for the Physical Function. The programming model for a device can have vendor-specific dependencies between sets of Functions. The Function Dependency Link field is used to describe these dependencies.

SRIOV First VF Offset

Indicates the offset of the first Virtual Function (VF) for the Physical Function (PF). PF0 always resides at Offset 0 while PF1 always resides at Offset 1. There are 6 Virtual Functions available in the Virtex-7 Gen3 Integrated block for PCI Express, and the Virtual Functions reside at the function number range 64 - 69.

Virtual functions are mapped sequentially with VFs for PF0 taking precedence. For example, if PF0 has 2 Virtual Functions and PF1 has 3 Virtual Functions, the following mapping would occur:

Table 4-5: Example Virtual Function Mappings

Physical Function	Virtual Function	Function Number Range
PF0	VF0	64
PF0	VF1	65
PF1	VF0	66
PF1	VF1	67
PF1	VF2	68

The `PFx_FIRST_VF_OFFSET` is calculated by taking the first offset of the Virtual Function and subtracting that from the offset of the Physical Function.

$$PFx_FIRST_VF_OFFSET = (PFx \text{ first VF offset} - PFx \text{ offset})$$

In the example above, the following offsets is used:

$$PF0_FIRST_VF_OFFSET = (64 - 0) = 64$$

$$PF1_FIRST_VF_OFFSET = (66 - 1) = 65$$

PF0 is always 64 assuming PF0 has 1 or more Virtual Functions. The initial offset for PF1 is a function of how many VF's are attached to PF0 and is defined in pseudo code below:

$$PF1_FIRST_VF_OFFSET = 63 + NUM_PF0_VFS$$

SRIOV VF Device ID

Indicates the 16-bit Device ID for all Virtual Functions associated with the Physical Function.

SRIOV Supported Page Size

Indicates the page size supported by the Physical Function. This Physical Function supports a page size of 2^{n+12} , if bit n of the 32-bit register is set.

PF0 SRIOV BARs and PF1 SRIVO BARs

The SRIOV Base Address Registers (BARs) screens shown in [Table 4-10](#) and [Table 4-11](#) set the base address register space for the Endpoint configuration. Each BAR (0 through 5) configures the SRIOV BAR Aperture Size and SRIOV Control attributes as described in [Table D-1](#).

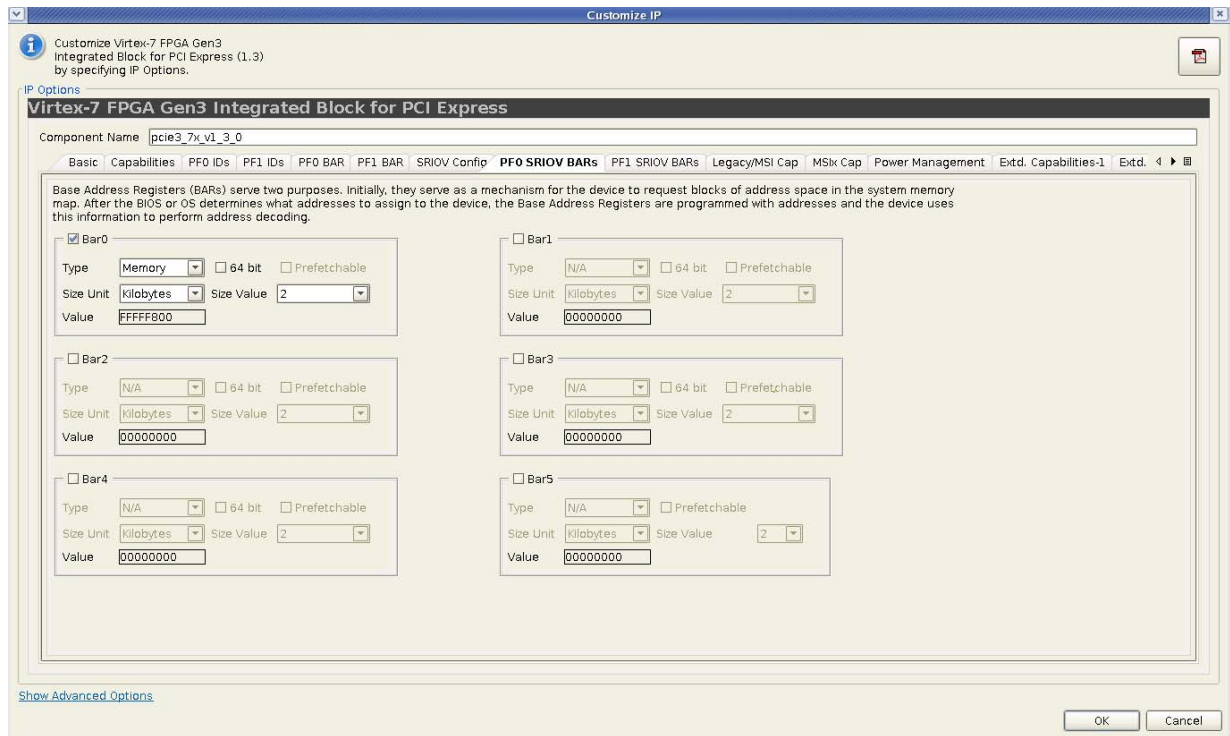


Figure 4-10: PF0 SRIOV BARs Settings

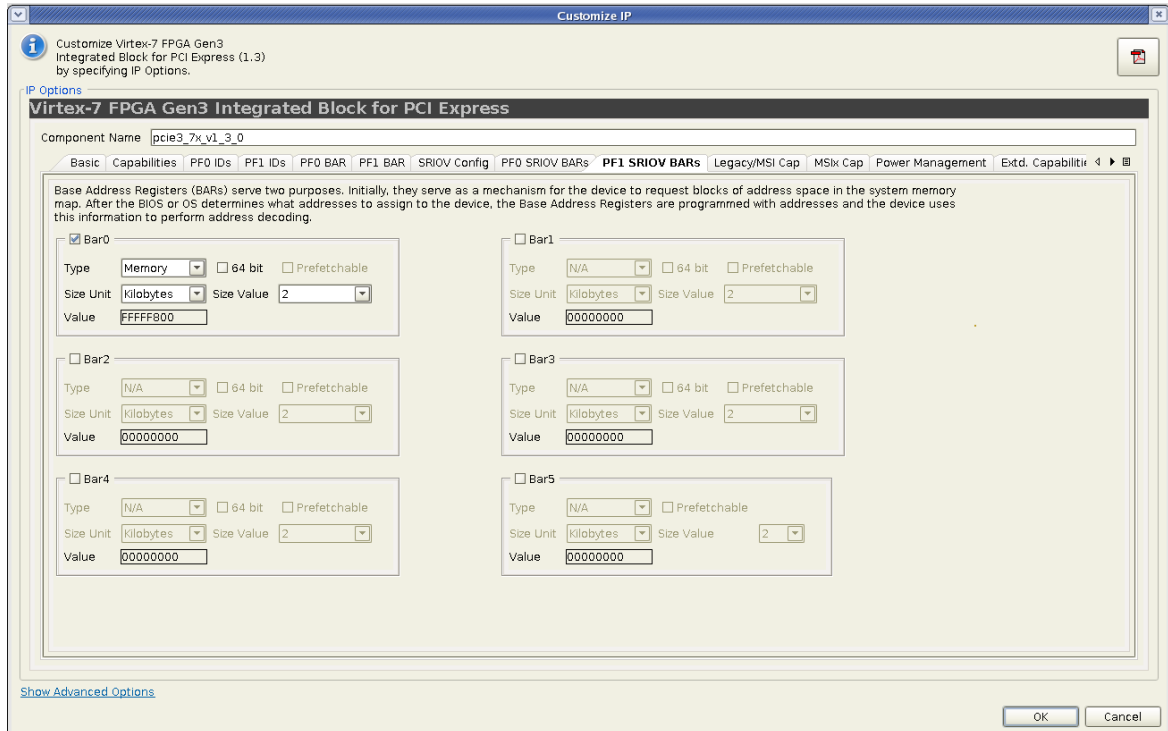


Figure 4-11: PF1 SRIOV BARs Settings

SRIOV Base Address Register Overview

In Endpoint configuration, the core supports up to six 32-bit BARs or three 64-bit BARs. In Root Port configuration, the core supports up to two 32-bit BARs or one 64-bit BAR.

SRIOV BARs can be one of two sizes:

- **32-bit BARs:** The address space can be as small as 16 bytes or as large as 2 gigabytes. Used for Memory to I/O.
- **64-bit BARs:** The address space can be as small as 128 bytes or as large as 8 exabytes. Used for Memory only.

All SRIOV BAR registers share these options:

- **Checkbox:** Click the checkbox to enable the BAR; deselect the checkbox to disable the BAR.

- **Type:** SRIOV BARs can either be I/O or Memory.
 - *I/O:* I/O BARs can only be 32-bit; the Prefetchable option does not apply to I/O BARs. I/O BARs are only enabled for the Legacy PCI Express Endpoint core.
 - *Memory:* Memory BARs can be either 64-bit or 32-bit and can be prefetchable. When a BAR is set as 64 bits, it uses the next BAR for the extended address space and makes the next BAR inaccessible to the user.
- **Size:** The available Size range depends on the PCIe® Device/Port Type and the Type of BAR selected. [Table 4-6](#) lists the available BAR size ranges.

Table 4-6: SRIOV BAR Size Ranges for Device Configuration

PCIe Device / Port Type	BAR Type	BAR Size Range
PCI Express Endpoint	32-bit Memory	128 Bytes – 2 Gigabytes
	64-bit Memory	128 Bytes – 8 Exabytes
Legacy PCI Express Endpoint	32-bit Memory	16 Bytes – 2 Gigabytes
	64-bit Memory	16 Bytes – 8 Exabytes
	I/O	16 Bytes – 2 Gigabytes

- **Prefetchable:** Identifies the ability of the memory space to be prefetched.
- **Value:** The value assigned to the BAR based on the current selections.

For more information about managing the SRIOV Base Address Register settings, see [Managing Base Address Register Settings](#).

Managing SRIOV Base Address Register Settings

Memory, I/O, Type, and Prefetchable settings are handled by setting the appropriate Customize IP dialog box settings for the desired base address register.

Memory or I/O settings indicate whether the address space is defined as memory or I/O. The base address register only responds to commands that access the specified address space. Generally, memory spaces less than 4 KB in size should be avoided. The minimum I/O space allowed is 16 bytes; use of I/O space should be avoided in all new designs.

Prefetchability is the ability of memory space to be prefetched. A memory space is prefetchable if there are no side effects on reads (that is, data is not destroyed by reading, as from a RAM). Byte write operations can be merged into a single double word write, when applicable.

When configuring the core as an Endpoint for PCIe (non-Legacy), 64-bit addressing must be supported for all SRIOV BARs (except BAR5) that have the prefetchable bit set. 32-bit addressing is permitted for all SRIOV BARs that do not have the prefetchable bit set. The prefetchable bit related requirement does not apply to a Legacy Endpoint. The minimum memory address range supported by a BAR is 128 bytes for a PCI Express Endpoint and 16 bytes for a Legacy PCI Express Endpoint.

Disabling Unused Resources

For best results, disable unused base address registers to conserve system resources. A base address register is disabled by deselecting unused BARs in the GUI.

Legacy/MSI Capabilities

This page is same as that of Basic mode. See [Legacy/MSI Capabilities, page 204](#).

MSI-X Capabilities

The MSI-X Capabilities page is available in Advanced mode only.

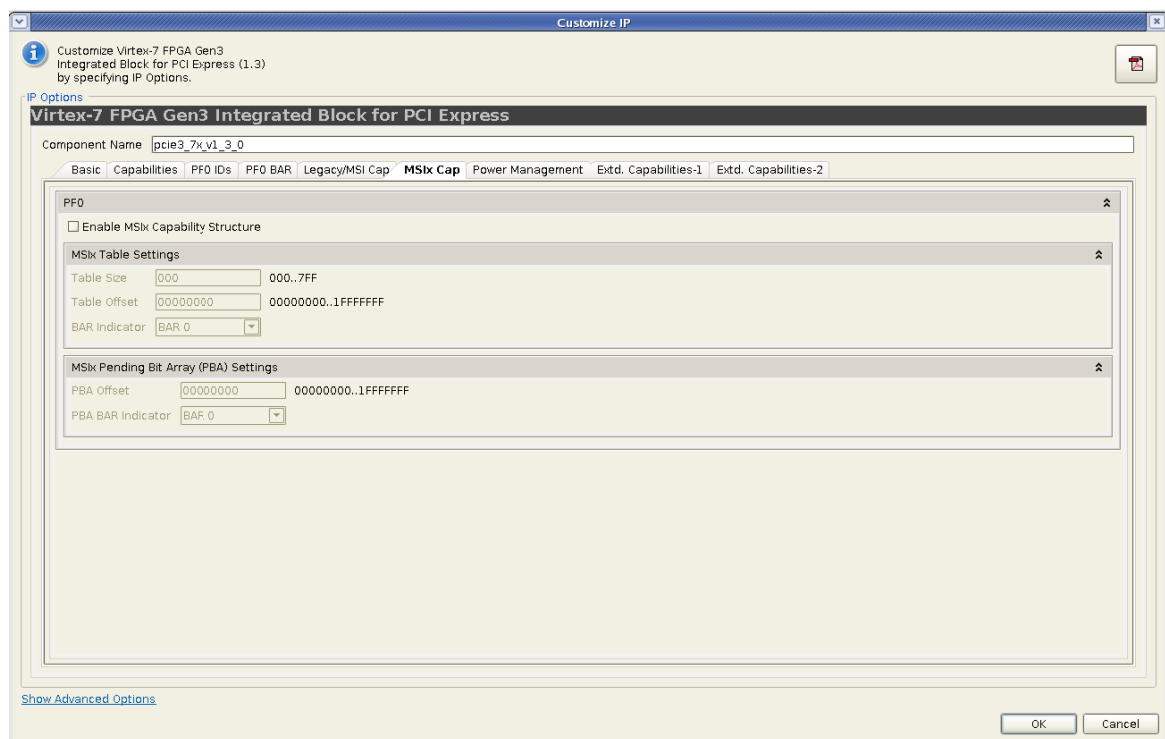


Figure 4-12: MSIx Cap Settings

- **Enable MSIx Capability Structure:** Indicates that the MSI-X Capability structure exists.
 - Note:** The Capability Structure needs at least one Memory BAR to be configured. You must maintain the MSI-X Table and Pending Bit Array in the application.
- **MSIx Table Settings:** Defines the MSI-X Table Structure.
 - *Table Size:* Specifies the MSI-X Table Size.
 - *Table Offset:* Specifies the Offset from the Base Address Register that points to the Base of the MSI-X Table.

- **BAR Indicator:** Indicates the Base Address Register in the Configuration Space that is used to map the function in the MSI-X Table onto Memory Space. For a 64-bit Base Address Register, this indicates the lower DWORD.
- **MSIx Pending Bit Array (PBA) Settings:** Defines the MSI-X Pending Bit Array (PBA) Structure.
 - **PBA Offset:** Specifies the Offset from the Base Address Register that points to the Base of the MSI-X PBA.
 - **PBA BAR Indicator:** Indicates the Base Address Register in the Configuration Space that is used to map the function in the MSI-X PBA onto Memory Space.

Power Management

The Power Management page shown in [Figure 4-13](#) includes settings for the Power Management Registers, power consumption, and power dissipation options. These settings apply to both Physical Functions, if PF1 is enabled.

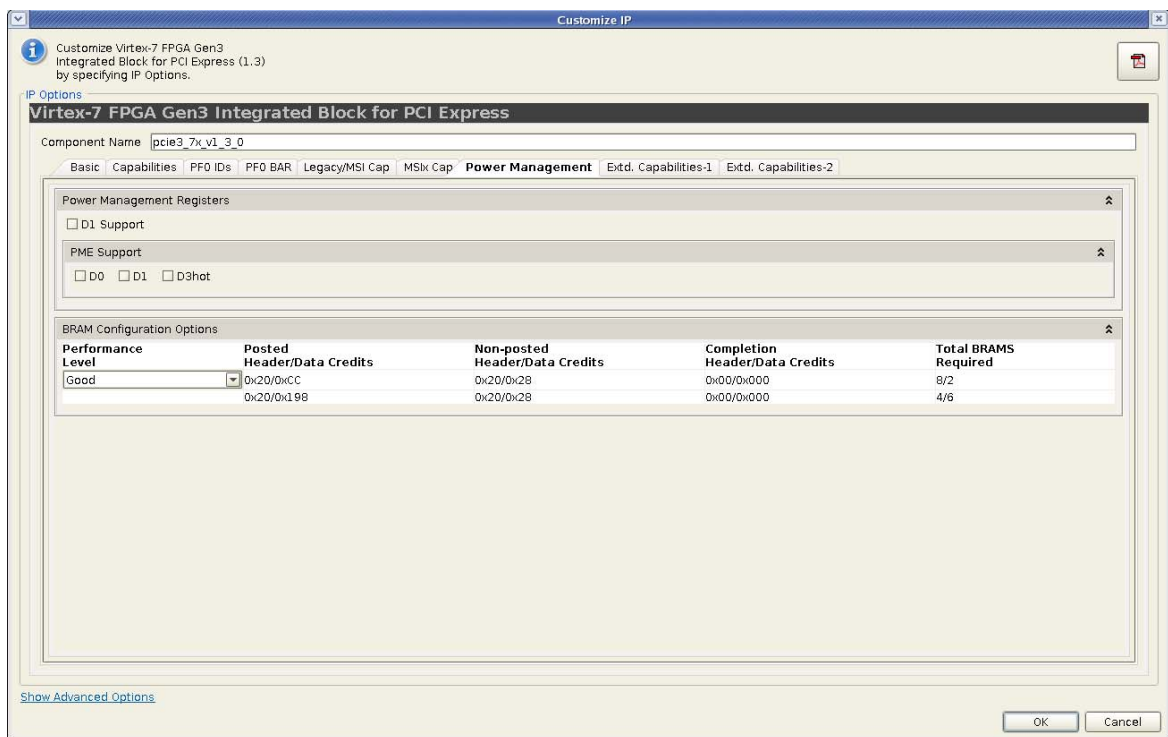


Figure 4-13: Page 12: Power Management Registers

- **D1 Support:** When selected, this option indicates that the function supports the D1 Power Management State. See section 3.2.3 of the *PCI Bus Power Management Interface Specification Revision 1.2* [Ref 2].
- **PME Support From:** When this option is selected, it indicates the power states in which the function can assert `cfg_pm_wake`. See section 3.2.3 of the *PCI Bus Power*

Management Interface Specification Revision 1.2 [Ref 2].

- **BRAM Configuration Options:** Can specify the number of receive block RAMs used for the solution. The table displays the number of receiver credits available for each packet type.

Extended Capabilities 1 and Extended Capabilities 2

The PCIe Extended Capabilities screens shown in [Figure 4-14](#) and [Figure 4-15](#) allow you to enable PCI Express Extended Capabilities. The Advanced Error Reporting Capability (offset $0x100h$) is always enabled. The customization GUI sets up the link list based on the capabilities enabled. After enabling, you must configure the capability by setting the applicable attributes in the core top-level defined in [Output Generation, page 216](#). See [Appendix D, Attributes](#) for parameters applicable to each capability.



Figure 4-14: Extended Capabilities 1

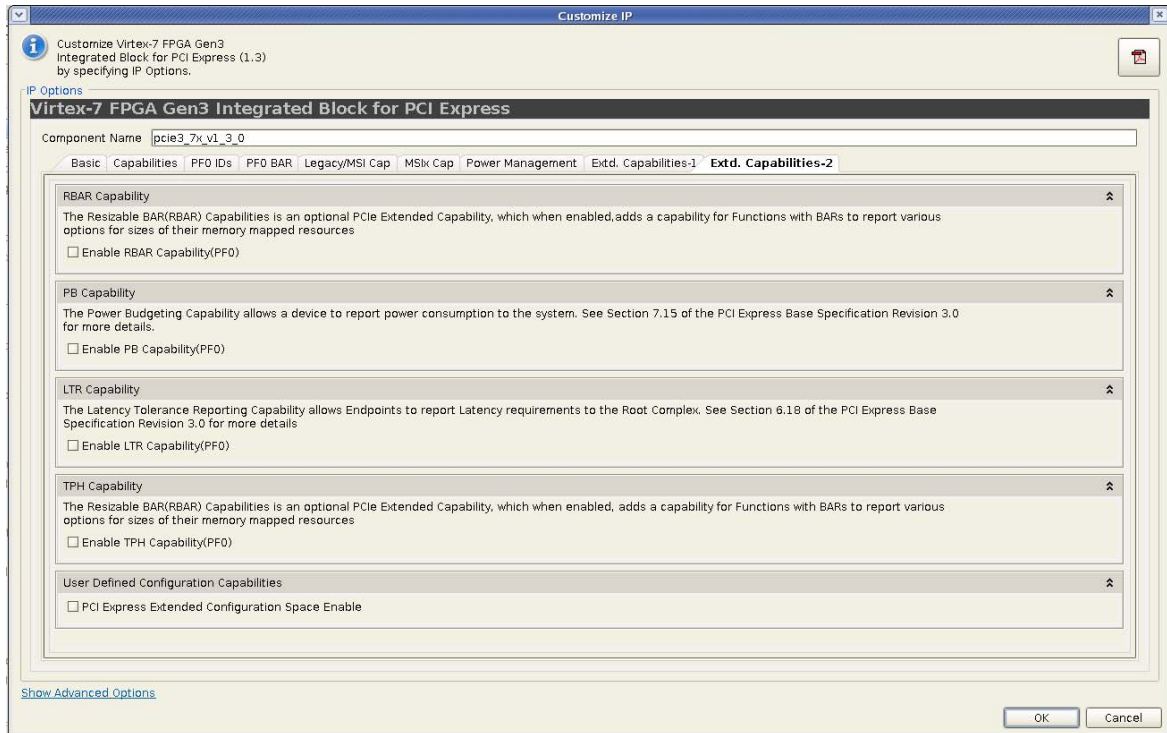


Figure 4-15: Extended Capabilities 2

Device Serial Number Capability

- **Device Serial Number Capability:** An optional PCIe Extended Capability containing a unique Device Serial Number. When this Capability is enabled, the DSN identifier must be presented on the Device Serial Number input pin of the port. This Capability must be turned on to enable the Virtual Channel and Vendor Specific Capabilities

Virtual Channel Capability

- **Virtual Channel Capability:** An optional PCIe Extended Capability which allows the user application to be operated in TCn/VC0 mode. Checking this allows Traffic Class filtering to be supported. This capability only exists for Physical Function 0.
- **Reject Snoop Transactions (Root Port Configuration Only):** When enabled, any transactions for which the No Snoop attribute is applicable, but is not set in the TLP header, can be rejected as an Unsupported Request.

AER Capability

- **Enable AER Capability:** An optional PCIe Extended Capability that allows Advanced Error Reporting. This capability is always enabled.

Additional Optional Capabilities

- **Enable ARI:** An optional PCIe Extended Capability that allows Alternate Requestor ID. This capability is automatically enabled if SRIOV is enabled.
- **Enable PB:** An optional PCIe Extended Capability that implements the Power Budgeting Enhanced Capability Header.
- **Enable RBAR:** An optional PCIe Extended Capability that implements the Resizable BAR Capability.
- **Enable LTR:** An optional PCIe Extended Capability that implements the Latency Tolerance Reporting Capability.
- **Enable DPA:** An optional PCIe Extended Capability that implements Dynamic Power Allocation Capability.
- **Enable TPH:** An optional PCIe Extended Capability that implements Transaction Processing Hints Capability.

Output Generation

The Virtex-7 FPGA Gen3 Integrated Block for PCIe core example design directories and their associated files are defined in the sections that follow. Click a directory name in blue to go to the desired directory and its associated files.



example_design

The `example_design` directory contains the example design files provided with the core. [Table 4-7](#) shows the directory contents for an Endpoint configuration core.

Table 4-7: Example Design Directory: Endpoint Configuration

Name	Description
<code>example_design</code>	
<code>xilinx_pcie_3_0_ep_7x_01_lane_gen1_xc7vx690t-ffg1761-3-PCIE_X0Y0.xdc</code>	Example design XDC. The file name varies by Device/Port Type, lane width, maximum link speed, part, package, core block location, and Xilinx Development Board selected.
<code>xilinx_pcie_3_0_ep_xt.v</code>	Verilog top-level PIO example design file.
<code>pcie_app_7vx.v</code> <code>PIO_INTR_CTRL.v</code> <code>EP_MEM.v</code> <code>PIO.v\PIO_EP.v</code> <code>PIO_EP_MEM_ACCESS.v</code> <code>PIO_TO_CTRL.v</code> <code>PIO_RX_ENGINE.v</code> <code>PIO_TX_ENGINE.v</code>	PIO example design files.

[Back to Top](#)

<component_name_#>/<component_name_#>/simulation

The `simulation` directory contains the simulation source files provided with the core.

simulation/dsport

The `dsport` directory contains the files for the Root Port model test bench.

Table 4-8: dsport Directory: Endpoint Configuration

Name	Description
<code><component_name_#>/<component_name_#>/simulation/dsport</code>	
<code>pcie_2_1_rp_v7.v</code> <code>pci_exp_expect_tasks.v</code> <code>pci_exp_usrapp_cfg.v</code> <code>pci_exp_usrapp_com.v</code> <code>pci_exp_usrapp_pl.v</code> <code>pci_exp_usrapp_rx.v</code> <code>pci_exp_usrapp_tx.v</code> <code>xilinx_pcie_2_1_rport_v7.v</code>	Root Port model files.

[Back to Top](#)

simulation/functional

The `functional` directory contains functional simulation scripts provided with the core.

Table 4-9: Functional Directory

Name	Description
<code><component_name_#>/<component_name_#>/simulation/functional</code>	
<code>board.f</code>	List of files for RTL simulations.
<code>simulate_mti.do</code>	Simulation script for Questa® SIM.
<code>simulate_ncsim.sh</code>	Simulation script for Cadence IES (Verilog only).
<code>simulate_vcs.sh</code>	Simulation script for VCS (Verilog only).
<code>xilinx_lib_vcs.f</code>	Points to the required SecureIP Model.
<code>board_common.v</code> (Endpoint configuration only)	Contains test bench definitions (Verilog only).
<code>board.v</code>	Top-level simulation module.
<code>sys_clk_gen_ds.v</code> (Endpoint configuration only)	System differential clock source.
<code>sys_clk_gen.v</code>	System clock source.

[Back to Top](#)

simulation/tests

Note: This directory exists for Endpoint configuration only.

The `tests` directory contains test definitions for the example test bench.

Table 4-10: Tests Directory

Name	Description
<code><component_name_#>/<component_name_#>/simulation/tests</code>	
<code>sample_tests.v</code> <code>tests.v</code>	Test definitions for example test bench.

[Back to Top](#)

<component_name_#>/<component_name_#>/source

The `source` directory contains the generated core source files.

Table 4-11: Source Directory

Name	Description
<code><component_name_#>/<component_name_#>/source</code>	
<code>pcie_3_0_7vx.v</code>	Verilog top-level core wrapper for the core.

Table 4-11: Source Directory (Cont'd)

Name	Description
pcie_top.v	AXI4-Stream solution wrapper for the core.
pcie_7vx.v	Solution Wrapper for the core.
pcie_init_ctrl_7vx.v	Initialization Controller for the core.
pcie_pipe_pipeline.v pcie_pipe_lane.v pcie_pipe_misc.v	PIPE module for the core.
pcie_bram_7vx.v pcie_bram_7vx_16k.v pcie_bram_7vx_8k.v pcie_bram_7vx_cpl.v pcie_bram_7vx_rep.v pcie_bram_7vx_rep_8k.v pcie_bram_7vx_req.v	Block RAM module for the core.
gt_top.v	GTH wrapper for the core.
gt_wrapper.v pipe_clock.v pipe_drp.v pipe_rate.v pipe_reset.v pipe_sync.v pipe_user.v pipe_wrapper.v pipe_eq.v rxeq_scan.v qp11_drp.v qp11_reset.v qp11_wrapper.v	GTH module for the Virtex-7 FPGA GTH transceivers.

[Back to Top](#)

<component_name_#>/sim

Table 4-12: sim Directory

Name	Description
<component_name_#>/sim	
Component_name_#.v	Core top-level file for simulation

<component_name_#>/synth

Table 4-13: synth Directory

Name	Description
<component_name_#>/synth	
Component_name_#.v	Core top-level file for synthesis

<component_name_#>/source

Table 4-14: source Directory

Name	Description
<component_name_#>/source	
<component_name>_pipe_clock.v	Clock block used in the example design top level module.

Constraining the Core

Required Constraints

The Virtex®-7 FPGA Gen3 Integrated Block for PCI Express® solution requires the specification of timing and other physical implementation constraints to meet specified performance requirements for PCI Express. These constraints are provided with the Endpoint and Root Port solutions in a Xilinx Device Constraints (XDC) file. Pinouts and hierarchy names in the generated XDC correspond to the provided example design.

To achieve consistent implementation results, an XDC containing these original, unmodified constraints must be used when a design is run through the Xilinx tools. For additional details on the definition and use of an XDC or specific constraints, see the *Xilinx Libraries Guide* and/or *Command Line Tools User Guide* [Ref 8].

Constraints provided with the Integrated Block solution have been tested in hardware and provide consistent results. Constraints can be modified, but modifications should only be made with a thorough understanding of the effect of each constraint. Additionally, support is not provided for designs that deviate from the provided constraints.

Device, Package, and Speed Grade Selections

The device selection portion of the XDC informs the implementation tools which part, package, and speed grade to target for the design. Because Virtex-7 FPGA Gen3 Integrated Block for PCIe cores are designed for specific part and package combinations, this section should not be modified by the designer.

The device selection section always contains a part selection line, but can also contain part or package-specific options. An example part selection line follows:

```
CONFIG PART = XC7VX690T-FFG1761-3
```

Clock Frequencies

See [Chapter 3, Designing with the Core](#), for detailed information about clock requirements.

Clock Management

See [Chapter 3, Designing with the Core](#), for detailed information about clock requirements.

Clock Placement

See the *7 Series FPGAs GTX/GTH Transceivers User Guide (UG476)* [\[Ref 7\]](#) for guidelines regarding clock resource selection.

See [Chapter 3, Designing with the Core](#), for detailed information about clock requirements.

Stacked Silicon Interconnect Devices

Some Virtex-7 devices utilize stacked silicon interconnect (SSI) technology. The I/O and Integrated Block must remain on the same die when targeting an SSI device.

The `sys_clk` must be chosen to be in the same bank as the GTH transceiver it is connected to, or one bank above/below the GTH transceiver being used.

For more information, see the “Placement Information by Package” and “Placement Information by Device” appendices in the *7 Series FPGAs GTX/GTH Transceivers User Guide (UG476)* [\[Ref 7\]](#).

Transceiver Placement

These constraints select which transceivers to use and dictates the pinout for the transceiver differential pairs. For more information, see the “Placement Information by Package” appendix in the *7 Series FPGAs GTX/GTH Transceivers User Guide (UG476)* [\[Ref 7\]](#).

Table 5-1 through Table 5-8 list the supported transceiver locations available for supported Virtex-7 FPGA part and package combinations. The Vivado™ IP Catalog provides an XDC for the selected part and package that matches the table contents. The following lists all devices with their associated tables containing transceiver locations:

- XC7VX330T: Table 5-1
- XC7VX415T: Table 5-2
- XC7VX550T: Table 5-3
- XC7VX690T: Table 5-4
- XC7VX980T: Table 5-5
- XC7VX1140T: Table 5-6
- XC7VH580T: Table 5-7
- XC7VH870T: Table 5-8

Table 5-1: Supported Transceiver Locations for the XC7VX330T

Package	Block	Lane 0	Lane 1	Lane 2	Lane 3	Lane 4	Lane 5	Lane 6	Lane 7
FFG1157	X0Y0	X0Y11	X0Y10	X0Y9	X0Y8	X0Y7	X0Y6	X0Y5	X0Y4
	X0Y1	X0Y23	X0Y22	X0Y21	X0Y20	X0Y19	X0Y18	X0Y17	X0Y16
	X0Y2	N/A							
	X0Y3	N/A							
FFG1761	X0Y0	X0Y11	X0Y10	X0Y9	X0Y8	X0Y7	X0Y6	X0Y5	X0Y4
	X0Y1	X0Y23	X0Y22	X0Y21	X0Y20	X0Y19	X0Y18	X0Y17	X0Y16
	X0Y2	N/A							
	X0Y3	N/A							

Table 5-2: Supported Transceiver Locations for the XC7VX415T

Package	Block	Lane 0	Lane 1	Lane 2	Lane 3	Lane 4	Lane 5	Lane 6	Lane 7
FFG1157	X0Y0	X1Y7	X1Y6	X1Y5	X1Y4	X1Y3	X1Y2	X1Y1	X1Y0
	X0Y1	X1Y19	X1Y18	X1Y17	X1Y16	X1Y15	X1Y14	X1Y13	X1Y12
	X0Y2	N/A							
	X0Y3	N/A							
FFG1158	X0Y0	X1Y7	X1Y6	X1Y5	X1Y4	X1Y3	X1Y2	X1Y1	X1Y0
	X0Y1	X1Y19	X1Y18	X1Y17	X1Y16	X1Y15	X1Y14	X1Y13	X1Y12
	X0Y2	N/A							
	X0Y3	N/A							

Table 5-2: Supported Transceiver Locations for the XC7VX415T (Cont'd)

Package	Block	Lane 0	Lane 1	Lane 2	Lane 3	Lane 4	Lane 5	Lane 6	Lane 7
FFG1927	X0Y0	X1Y7	X1Y6	X1Y5	X1Y4	X1Y3	X1Y2	X1Y1	X1Y0
	X0Y1	X1Y19	X1Y18	X1Y17	X1Y16	X1Y15	X1Y14	X1Y13	X1Y12
	X0Y2	N/A							
	X0Y3	N/A							

Table 5-3: Supported Transceiver Locations for the XC7VX550T

Package	Block	Lane 0	Lane 1	Lane 2	Lane 3	Lane 4	Lane 5	Lane 6	Lane 7
FFG1158	X0Y0	N/A							
	X0Y1	X1Y23	X1Y22	X1Y21	X1Y20	X1Y19	X1Y18	X1Y17	X1Y16
	X0Y2	X1Y35	X1Y34	X1Y33	X1Y32	X1Y31	X1Y30	X1Y29	X1Y28
	X0Y3	N/A							
FFG1927	X0Y0	X1Y11	X1Y10	X1Y9	X1Y8	X1Y7	X1Y6	X1Y5	X1Y4
	X0Y1	X1Y23	X1Y22	X1Y21	X1Y20	X1Y19	X1Y18	X1Y17	X1Y16
	X0Y2	X1Y35	X1Y34	X1Y33	X1Y32	X1Y31	X1Y30	X1Y29	X1Y28
	X0Y3	N/A							

Table 5-4: Supported Transceiver Locations for the XC7VX690T

Package	Block	Lane 0	Lane 1	Lane 2	Lane 3	Lane 4	Lane 5	Lane 6	Lane 7
FFG1157	X0Y0	N/A							
	X0Y1	X1Y23	X1Y22	X1Y21	X1Y20	X1Y19	X1Y18	X1Y17	X1Y16
	X0Y2	X1Y35	X1Y34	X1Y33	X1Y32	X1Y31	X1Y30	X1Y29	X1Y28
	X0Y3	N/A							
FFG1158	X0Y0	N/A							
	X0Y1	X1Y23	X1Y22	X1Y21	X1Y20	X1Y19	X1Y18	X1Y17	X1Y16
	X0Y2	X1Y35	X1Y34	X1Y33	X1Y32	X1Y31	X1Y30	X1Y29	X1Y28
	X0Y3	N/A							
FFG1761	X0Y0	X1Y11	X1Y10	X1Y9	X1Y8	X1Y7	X1Y6	X1Y5	X1Y4
	X0Y1	X1Y23	X1Y22	X1Y21	X1Y20	X1Y19	X1Y18	X1Y17	X1Y16
	X0Y2	X1Y35	X1Y34	X1Y33	X1Y32	X1Y31	X1Y30	X1Y29	X1Y28
	X0Y3	N/A							
FFG1926	X0Y0	X1Y11	X1Y10	X1Y9	X1Y8	X1Y7	X1Y6	X1Y5	X1Y4
	X0Y1	X1Y23	X1Y22	X1Y21	X1Y20	X1Y19	X1Y18	X1Y17	X1Y16
	X0Y2	X1Y35	X1Y34	X1Y33	X1Y32	X1Y31	X1Y30	X1Y29	X1Y28
	X0Y3	N/A							

Table 5-4: Supported Transceiver Locations for the XC7VX690T (Cont'd)

Package	Block	Lane 0	Lane 1	Lane 2	Lane 3	Lane 4	Lane 5	Lane 6	Lane 7
FFG1927	X0Y0	X1Y11	X1Y10	X1Y9	X1Y8	X1Y7	X1Y6	X1Y5	X1Y4
	X0Y1	X1Y23	X1Y22	X1Y21	X1Y20	X1Y19	X1Y18	X1Y17	X1Y16
	X0Y2	X1Y35	X1Y34	X1Y33	X1Y32	X1Y31	X1Y30	X1Y29	X1Y28
	X0Y3	N/A							
FFG1930	X0Y0	N/A							
	X0Y1	X1Y23	X1Y22	X1Y21	X1Y20	X1Y19	X1Y18	X1Y17	X1Y16
	X0Y2	X1Y35	X1Y34	X1Y33	X1Y32	X1Y31	X1Y30	X1Y29	X1Y28
	X0Y3	N/A							

Table 5-5: Supported Transceiver Locations for the XC7VX980T

Package	Block	Lane 0	Lane 1	Lane 2	Lane 3	Lane 4	Lane 5	Lane 6	Lane 7
FFG1926	X0Y0	X1Y11	X1Y10	X1Y9	X1Y8	X1Y7	X1Y6	X1Y5	X1Y4
	X0Y1	X1Y23	X1Y22	X1Y21	X1Y20	X1Y19	X1Y18	X1Y17	X1Y16
	X0Y2	X1Y35	X1Y34	X1Y33	X1Y32	X1Y31	X1Y30	X1Y29	X1Y28
	X0Y3	N/A							
FFG1928	X0Y0	X1Y11	X1Y10	X1Y9	X1Y8	X1Y7	X1Y6	X1Y5	X1Y4
	X0Y1	X1Y23	X1Y22	X1Y21	X1Y20	X1Y19	X1Y18	X1Y17	X1Y16
	X0Y2	X1Y35	X1Y34	X1Y33	X1Y32	X1Y31	X1Y30	X1Y29	X1Y28
	X0Y3	N/A							
FFG1930	X0Y0	N/A							
	X0Y1	X1Y23	X1Y22	X1Y21	X1Y20	X1Y19	X1Y18	X1Y17	X1Y16
	X0Y2	X1Y35	X1Y34	X1Y33	X1Y32	X1Y31	X1Y30	X1Y29	X1Y28
	X0Y3	N/A							

Table 5-6: Supported Transceiver Locations for the XC7VX1140T

Package	Block	Lane 0	Lane 1	Lane 2	Lane 3	Lane 4	Lane 5	Lane 6	Lane 7
FFG1926	X0Y0	X1Y11	X1Y10	X1Y9	X1Y8	X1Y7	X1Y6	X1Y5	X1Y4
	X0Y1	X1Y23	X1Y22	X1Y21	X1Y20	X1Y19	X1Y18	X1Y17	X1Y16
	X0Y2	X1Y35	X1Y34	X1Y33	X1Y32	X1Y31	X1Y30	X1Y29	X1Y28
	X0Y3	N/A							
FLG1928	X0Y0	X1Y11	X1Y10	X1Y9	X1Y8	X1Y7	X1Y6	X1Y5	X1Y4
	X0Y1	X1Y23	X1Y22	X1Y21	X1Y20	X1Y19	X1Y18	X1Y17	X1Y16
	X0Y2	X1Y35	X1Y34	X1Y33	X1Y32	X1Y31	X1Y30	X1Y29	X1Y28
	X0Y3	X1Y47	X1Y46	X1Y45	X1Y44	X1Y43	X1Y42	X1Y41	X1Y40

Table 5-6: Supported Transceiver Locations for the XC7VX1140T (Cont'd)

Package	Block	Lane 0	Lane 1	Lane 2	Lane 3	Lane 4	Lane 5	Lane 6	Lane 7
FLG1930	X0Y0	N/A							
	X0Y1	X1Y23	X1Y22	X1Y21	X1Y20	X1Y19	X1Y18	X1Y17	X1Y16
	X0Y2	X1Y35	X1Y34	X1Y33	X1Y32	X1Y31	X1Y30	X1Y29	X1Y28
	X0Y3	N/A							

Table 5-7: Supported Transceiver Locations for the XC7VH580T

Package	Block	Lane 0	Lane 1	Lane 2	Lane 3	Lane 4	Lane 5	Lane 6	Lane 7
HCG1155	X0Y0	X1Y11	X1Y10	X1Y9	X1Y8	X1Y7	X1Y6	X1Y5	X1Y4
	X0Y1	N/A							
	X0Y2	N/A							
	X0Y3	N/A							
HCG1931	X0Y0	X1Y11	X1Y10	X1Y9	X1Y8	X1Y7	X1Y6	X1Y5	X1Y4
	X0Y1	X1Y23	X1Y22	X1Y21	X1Y20	X1Y19	X1Y18	X1Y17	X1Y16
	X0Y2	N/A							
	X0Y3	N/A							
HCG1932	X0Y0	X1Y11	X1Y10	X1Y9	X1Y8	X1Y7	X1Y6	X1Y5	X1Y4
	X0Y1	X1Y23	X1Y22	X1Y21	X1Y20	X1Y19	X1Y18	X1Y17	X1Y16
	X0Y2	N/A							
	X0Y3	N/A							

Table 5-8: Supported Transceiver Locations for the XC7VH870T

Package	Block	Lane 0	Lane 1	Lane 2	Lane 3	Lane 4	Lane 5	Lane 6	Lane 7
HCG1931	X0Y0	N/A							
	X0Y1	X1Y23	X1Y22	X1Y21	X1Y20	X1Y19	X1Y18	X1Y17	X1Y16
	X0Y2	X1Y35	X1Y34	X1Y33	X1Y32	X1Y31	X1Y30	X1Y29	X1Y28
	X0Y3	N/A							
HCG1932	X0Y0	X1Y11	X1Y10	X1Y9	X1Y8	X1Y7	X1Y6	X1Y5	X1Y4
	X0Y1	X1Y23	X1Y22	X1Y21	X1Y20	X1Y19	X1Y18	X1Y17	X1Y16
	X0Y2	X1Y35	X1Y34	X1Y33	X1Y32	X1Y31	X1Y30	X1Y29	X1Y28
	X0Y3	N/A							

I/O Standard and Placement

This section controls the placement and options for I/Os belonging to the System (SYS) interface and PCI Express (PCI_EXP) interface of the core. NET constraints in this section

control the pin location and I/O options for signals in the SYS group. Locations and options vary depending on which derivative of the core is used and should not be changed without fully understanding the system requirements.

For example:

```
set_property IOSTANDARD LVCMOS18 [get_ports sys_rst_n]
set_property LOC IBUFDS_GTE2_X0Y3 [get_cells refclk_ibuf]
```

INST constraints control placement of signals that belong to the PCI_EXP group. These constraints control the location of the transceiver(s) used, which implicitly controls pin locations for the transmit and receive differential pair.

For example:

```
set_property LOC GTXE2_CHANNEL_X0Y7 [get_cells {pcie_7x_v1_6_0_i/inst/inst/
gt_top_i/pipe_wrapper_i/pipe_lane[0].gt_wrapper_i/gtx_channel.gtxe2_channel_i}]
```

Detailed Example Design

Directory and File Contents

See [Output Generation, page 216](#) for directory structure and file contents.

Example Design

This section provides an overview of the Virtex®-7 FPGA Gen3 Integrated Block for PCI Express® example design and instructions for generating the core. It also includes information about simulating and implementing the example design using the provided demonstration test bench.

For current information about generating, simulating, and implementing the core, see the Release Notes provided with the core, when it is generated using the Vivado™ IP Catalog.

Integrated Block Endpoint Configuration Overview

The example simulation design for the Endpoint configuration of the integrated block consists of two discrete parts:

- The Root Port Model, a test bench that generates, consumes, and checks PCI Express bus traffic.
- The Programmed Input/Output (PIO) example design, a complete application for PCI Express. The PIO example design responds to Read and Write requests to its memory space and can be synthesized for testing in hardware.

Simulation Design Overview

For the simulation design, transactions are sent from the Root Port Model to the Integrated Block core (configured as an Endpoint) and processed by the PIO example design.

Figure 6-1 illustrates the simulation design provided with the Integrated Block core. For more information about the Root Port Model, see [Root Port Model Test Bench for Endpoint](#), page 240.

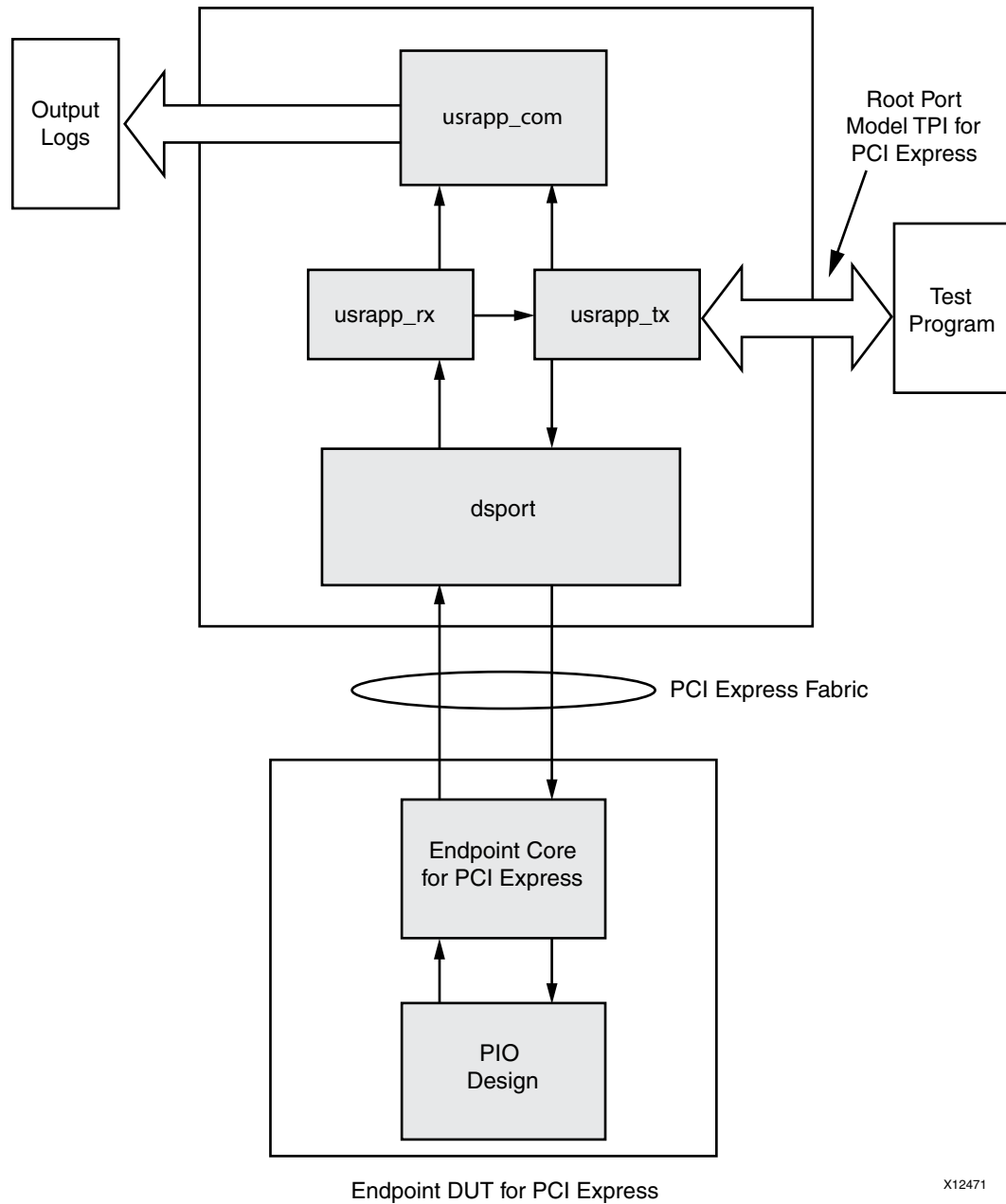


Figure 6-1: Simulation Example Design Block Diagram

Implementation Design Overview

The implementation design consists of a simple PIO example that can accept read and write transactions and respond to requests, as illustrated in [Figure 6-2](#). Source code for the example is provided with the core. For more information about the PIO example design, see [Programmed Input/Output: Endpoint Example Design, page 231](#).

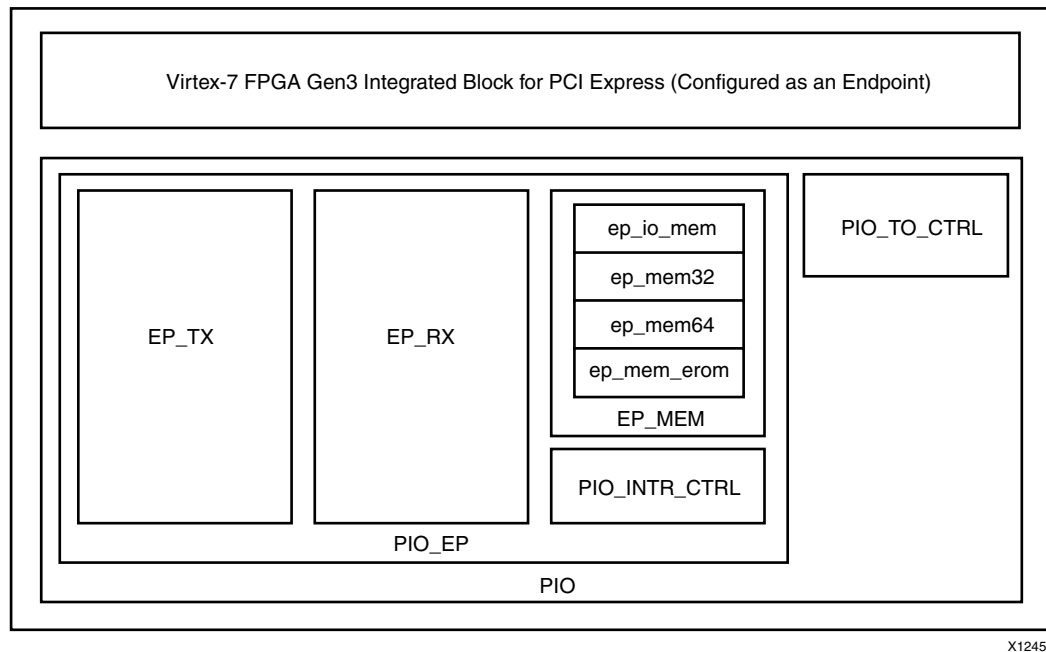


Figure 6-2: Implementation Example Design Block Diagram

Example Design Elements

The PIO example design elements include:

- Core wrapper
- An example Verilog HDL wrapper (instantiates the cores and example design)
- A customizable demonstration test bench to simulate the example design

The example design has been tested and verified with Vivado™ Design Suite and these simulators:

- Mentor Graphics Questa® SIM
- Cadence Incisive Enterprise Simulator (IES)
- Synopsys VCS
- Vivado Simulator

For the supported versions of these tools, see the *Xilinx Design Tools: Release Notes Guide*⁽³⁾.

Programmed Input/Output: Endpoint Example Design

Programmed Input/Output (PIO) transactions are generally used by a PCI Express system host CPU to access Memory Mapped Input/Output (MMIO) and Configuration Mapped Input/Output (CMIO) locations in the PCI Express logic. Endpoints for PCI Express accept Memory and I/O Write transactions and respond to Memory and I/O Read transactions with Completion with Data transactions.

The PIO example design (PIO design) is included with the core in Endpoint configuration generated by the Vivado IP catalog, which allows users to bring up their system board with a known established working design to verify the link and functionality of the board.

The PIO design Port Model is shared by the core, Endpoint Block Plus for PCI Express, and Endpoint PIPE for PCI Express solutions. This appendix represents all the solutions generically using the name Endpoint for PCI Express (or Endpoint for PCIe[®]).

System Overview

The PIO design is a simple target-only application that interfaces with the Endpoint for the PCIe core Transaction (AXI4-Stream) interface and is provided as a starting point for you to build their own designs. These features are included:

- Four transaction-specific 2 KB target regions using the internal FPGA block RAMs, providing a total target space of 8192 bytes
- Supports single Dword payload Read and Write PCI Express transactions to 32-/64-bit address memory spaces and I/O space with support for completion TLPs
- Utilizes the BAR ID[2:0] and Completer Request Descriptor[114:112] of the core to differentiate between TLP destination Base Address Registers
- Provides separate implementations optimized for 64-bit, 128-bit, and 256-bit AXI4-Stream interfaces

Figure 6-3 illustrates the PCI Express system architecture components, consisting of a Root Complex, a PCI Express switch device, and an Endpoint for PCIe. PIO operations move data *downstream* from the Root Complex (CPU register) to the Endpoint, and/or *upstream* from the Endpoint to the Root Complex (CPU register). In either case, the PCI Express protocol request to move the data is initiated by the host CPU.

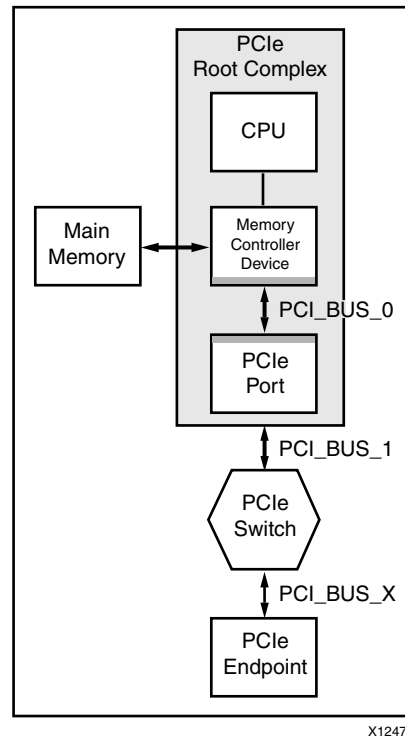


Figure 6-3: System Overview

Data is moved downstream when the CPU issues a store register to a MMIO address command. The Root Complex typically generates a Memory Write TLP with the appropriate MMIO location address, byte enables, and the register contents. The transaction terminates when the Endpoint receives the Memory Write TLP and updates the corresponding local register.

Data is moved upstream when the CPU issues a load register from a MMIO address command. The Root Complex typically generates a Memory Read TLP with the appropriate MMIO location address and byte enables. The Endpoint generates a Completion with Data TLP after it receives the Memory Read TLP. The Completion is steered to the Root Complex and payload is loaded into the target register, completing the transaction.

PIO Hardware

The PIO design implements a 8192 byte target space in FPGA block RAM, behind the Endpoint for PCIe. This 32-bit target space is accessible through single Dword I/O Read, I/O Write, Memory Read 64, Memory Write 64, Memory Read 32, and Memory Write 32 TLPs.

The PIO design generates a completion with one Dword of payload in response to a valid Memory Read 32 TLP, Memory Read 64 TLP, or I/O Read TLP request presented to it by the core. In addition, the PIO design returns a completion without data with successful status for I/O Write TLP request.

The PIO design can initiate:

- a Memory Read transaction when the received write address is 11'hEA8 and the write data is 32'hAAAA_BBBB, and Targeting the BAR0.
- a Legacy Interrupt when the received write address is 11'hEEEC and the write data is 32'hCCCC_DDDD, and Targeting the BAR0.
- an MSI when the received write address is 11'hEEEC and the write data is 32'hEEEE_FFFF, and Targeting the BAR0.
- an MSIX when the received write address is 11'hEEEC and the write data is 32'hDEAD_BEEF, and Targeting the BAR0.

The PIO design processes a Memory or I/O Write TLP with one Dword payload by updating the payload into the target address in the FPGA block RAM space.

Base Address Register Support

The PIO design supports four discrete target spaces, each consisting of a 2 KB block of memory represented by a separate Base Address Register (BAR). Using the default parameters, the Vivado IP catalog produces a core configured to work with the PIO design defined in this section, consisting of:

- One 64-bit addressable Memory Space BAR
- One 32-bit Addressable Memory Space BAR

Users can change the default parameters used by the PIO design; however, in some cases they might need to change the back-end User Application depending on their system. See [Changing IP Catalog Tool Default BAR Settings](#) for information about changing the default Vivado Design Suite IP parameters and the effect on the PIO design.

Each of the four 2 KB address spaces represented by the BARs corresponds to one of four 2 KB address regions in the PIO design. Each 2 KB region is implemented using a 2 KB dual-port block RAM. As transactions are received by the core, the core decodes the address and determines which of the four regions is being targeted. The core presents the TLP to the PIO design and asserts the appropriate bits of (BAR ID[2:0]), Completer Request Descriptor[114:112], as defined in [Table 6-1](#).

Table 6-1: TLP Traffic Types

Block RAM	TLP Transaction Type	Default BAR	BAR ID[2:0]
ep_io_mem	I/O TLP transactions	Disabled	Disabled
ep_mem32	32-bit address Memory TLP transactions	2	000b
ep_mem64	64-bit address Memory TLP transactions	0-1	001b
ep_mem_erom	32-bit address Memory TLP transactions destined for EROM	Expansion ROM	110b

Changing IP Catalog Tool Default BAR Settings

You can change the Vivado IP catalog parameters and continue to use the PIO design to create customized Verilog source to match the selected BAR settings. However, because the PIO design parameters are more limited than the core parameters, consider these example design limitations when changing the default IP Catalog tool parameters:

- The example design supports one I/O space BAR, one 32-bit Memory space (that cannot be the Expansion ROM space), and one 64-bit Memory space. If these limits are exceeded, only the first space of a given type is active—accesses to the other spaces do not result in completions.
- Each space is implemented with a 2 KB memory. If the corresponding BAR is configured to a wider aperture, accesses beyond the 2 KB limit wrap around and overlap the 2 KB memory space.
- The PIO design supports one I/O space BAR, which by default is disabled, but can be changed if desired.

Although there are limitations to the PIO design, Verilog source code is provided so users can tailor the example design to their specific needs.

TLP Data Flow

This section defines the data flow of a TLP successfully processed by the PIO design.

The PIO design successfully processes single Dword payload Memory Read and Write TLPs and I/O Read and Write TLPs. Memory Read or Memory Write TLPs of lengths larger than one Dword are not processed correctly by the PIO design; however, the core does accept these TLPs and passes them along to the PIO design. If the PIO design receives a TLP with a length of greater than one Dword, the TLP is received completely from the core and discarded. No corresponding completion is generated.

Memory and I/O Write TLP Processing

When the Endpoint for PCIe receives a Memory or I/O Write TLP, the TLP destination address and transaction type are compared with the values in the core BARs. If the TLP passes this comparison check, the core passes the TLP to the Receive AXI4-Stream interface of the PIO design. The PIO design handles Memory writes and I/O TLP writes in different ways: the PIO design responds to *I/O writes* by generating a Completion Without Data (cpl), a requirement of the PCI Express specification.

Along with the start of packet, end of packet, and ready handshaking signals, the Completer Requester AXI4-Stream interface also asserts the appropriate (BAR ID[2:0]), Completer Request Descriptor[114:112] signal to indicate to the PIO design the specific destination BAR that matched the incoming TLP. On reception, the PIO design RX State Machine processes the incoming Write TLP and extracts the TLPs data and relevant address fields so that it can pass this along to the PIO design internal block RAM write request controller.

Based on the specific BAR ID[2:0] signals asserted, the RX state machine indicates to the internal write controller the appropriate 2 KB block RAM to use prior to asserting the write enable request. For example, if an I/O Write Request is received by the core targeting BAR0, the core passes the TLP to the PIO design and sets BAR ID[2:0] to 000b. The RX state machine extracts the lower address bits and the data field from the I/O Write TLP and instructs the internal Memory Write controller to begin a write to the block RAM.

In this example, the assertion of setting BAR ID[2:0] to 000b instructed the PIO memory write controller to access `ep_mem0` (which by default represents 2 KB of I/O space). While the write is being carried out to the FPGA block RAM, the PIO design RX state machine deasserts `m_axis_cq_tready`, causing the Receive AXI4-Stream interface to stall receiving any further TLPs until the internal Memory Write controller completes the write to the block RAM. Deasserting `m_axis_cq_tready` in this way is not required for all designs using the core—the PIO design uses this method to simplify the control logic of the RX state machine.

Memory and I/O Read TLP Processing

When the Endpoint for PCIe receives a Memory or I/O Read TLP, the TLP destination address and transaction type are compared with the values programmed in the core BARs. If the TLP passes this comparison check, the core passes the TLP to the Receive AXI4-Stream interface of the PIO design.

Along with the start of packet, end of packet, and ready handshaking signals, the Completer Requester AXI4-Stream interface also asserts the appropriate BAR ID[2:0] signal to indicate to the PIO design the specific destination BAR that matched the incoming TLP. On reception, the PIO design state machine processes the incoming Read TLP and extracts the relevant TLP information and passes it along to the PIO design's internal block RAM read request controller.

Based on the specific BAR ID[2:0] signal asserted, the RX state machine indicates to the internal read request controller the appropriate 2 KB block RAM to use before asserting the read enable request. For example, if a Memory Read 32 Request TLP is received by the core targeting the default Mem32 BAR2, the core passes the TLP to the PIO design and sets BAR ID[2:0] to 010b. The RX state machine extracts the lower address bits from the Memory 32 Read TLP and instructs the internal Memory Read Request controller to start a read operation.

In this example, the setting BAR ID[2:0] to 010b instructs the PIO memory read controller to access the Mem32 space, which by default represents 2 KB of memory space. A notable difference in handling of memory write and read TLPs is the requirement of the receiving device to return a Completion with Data TLP in the case of memory or I/O read request.

While the read is being processed, the PIO design RX state machine deasserts `m_axis_cq_tready`, causing the Receive AXI4-Stream interface to stall receiving any further TLPs until the internal Memory Read controller completes the read access from the block RAM and generates the completion. Deasserting `m_axis_cq_tready` in this way is

not required for all designs using the core. The PIO design uses this method to simplify the control logic of the RX state machine.

PIO File Structure

Table 6-2 defines the PIO design file structure. Based on the specific core targeted, not all files delivered by the Vivado IP Catalog are necessary, and some files might not be delivered. The major difference is that some of the Endpoint for PCIe solutions use a 32-bit user datapath, others use a 64-bit datapath, and the PIO design works with both. The width of the datapath depends on the specific core being targeted.

Table 6-2: PIO Design File Structure

File	Description
PIO.v	Top-level design wrapper
PIO_INTR_CTRL.v	PIO interrupt controller
PIO_EP.v	PIO application module
PIO_TO_CTRL.v	PIO turn-off controller module
PIO_RX_ENGINE.v	32-bit Receive engine
PIO_TX_ENGINE.v	32-bit Transmit engine
PIO_EP_MEM_ACCESS.v	Endpoint memory access module
PIO_EP_MEM.v	Endpoint memory

Three configurations of the PIO design are provided: PIO_64, PIO_128, and PIO_256 with 64-, 128-, and 256-bit AXI4-Stream interfaces, respectively. The PIO configuration generated depends on the selected Endpoint type (that is, Virtex-7 FPGA integrated block, PIPE, PCI Express, and Block Plus) as well as the number of PCI Express lanes and the interface width selected by the user. Table 6-3 identifies the PIO configuration generated based on your selection.

Table 6-3: PIO Configuration

Core	x1	x2	x4	x8
Virtex-7 FPGA Gen3 Integrated Block	PIO_64	PIO_64, PIO_128	PIO_64, PIO_128, PIO_256	PIO_64, PIO_128 ⁽¹⁾ , PIO_256

Notes:

1. The core does not support 128-bit x8 8.0 Gb/s configuration and 500 MHz user clock frequency.

Figure 6-4 shows the various components of the PIO design, which is separated into four main parts: the TX Engine, RX Engine, Memory Access Controller, and Power Management Turn-Off Controller.

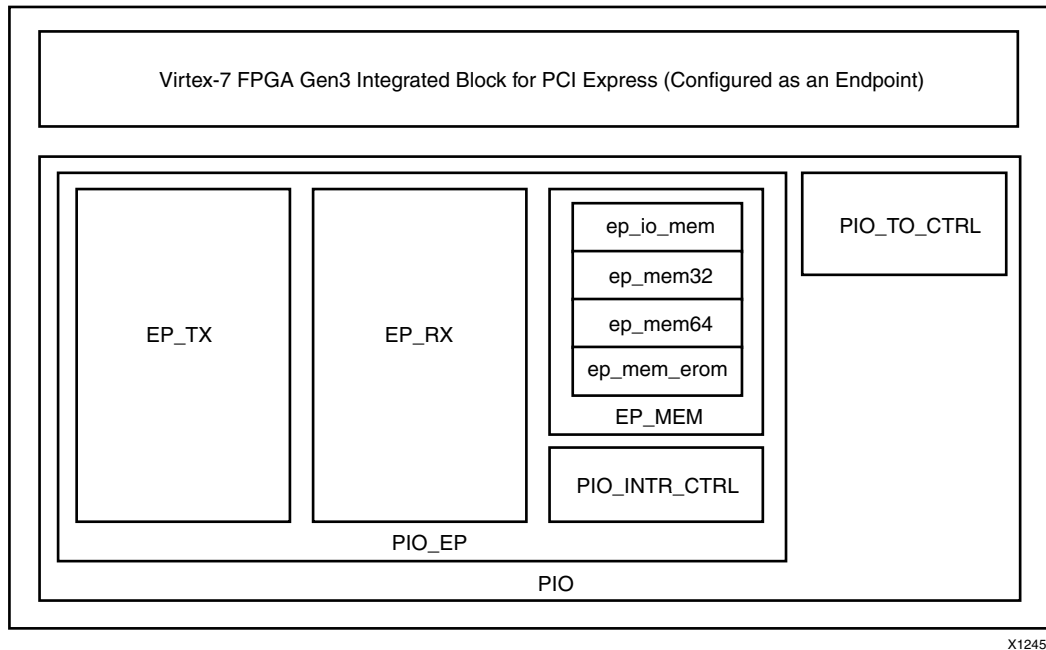
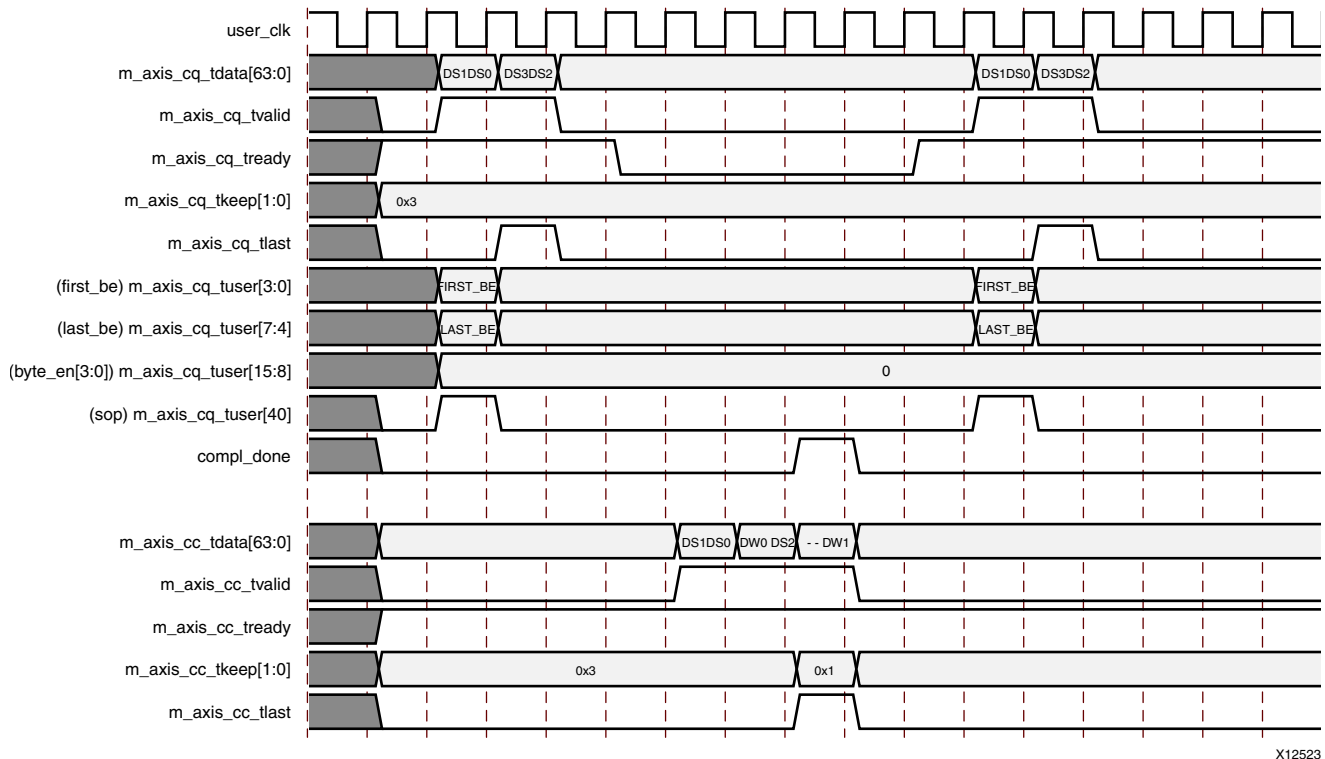


Figure 6-4: PIO Design Components

PIO Operation

PIO Read Transaction

Figure 6-5 depicts a Back-to-Back Memory Read request to the PIO design. The receive engine deasserts `m_axis_rx_tready` as soon as the first TLP is completely received. The next Read transaction is accepted only after `compl_done_o` is asserted by the transmit engine, indicating that Completion for the first request was successfully transmitted.



X12523

Figure 6-5: Back-to-Back Read Transactions

PIO Write Transaction

Figure 6-6 depicts a back-to-back Memory Write to the PIO design. The next Write transaction is accepted only after `wr_busy_o` is deasserted by the memory access unit, indicating that data associated with the first request was successfully written to the memory aperture.

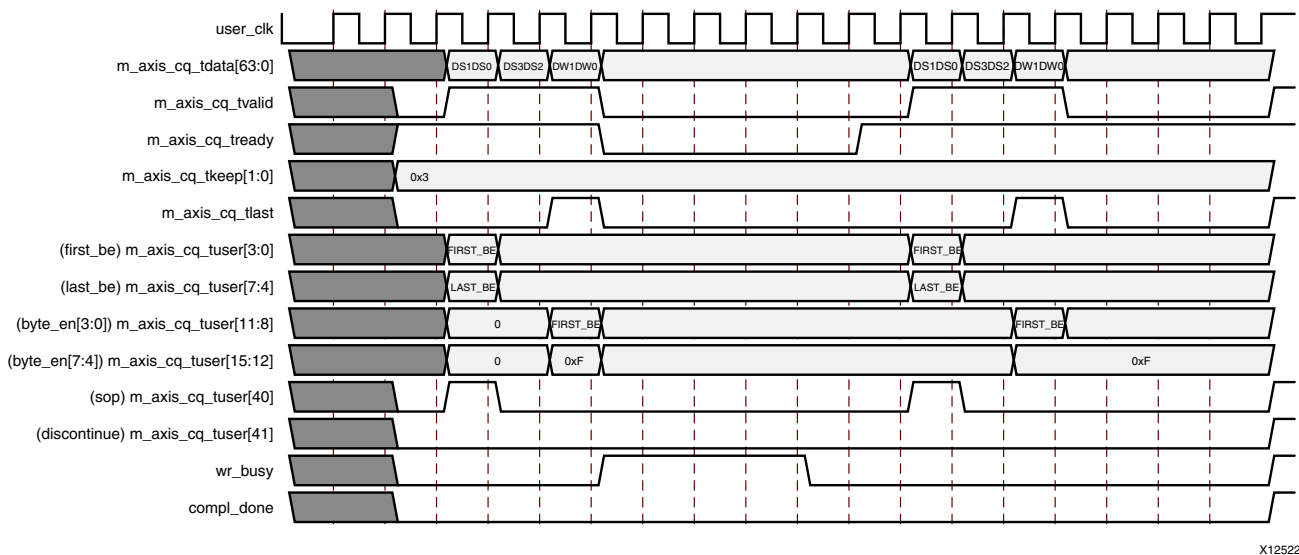


Figure 6-6: Back-to-Back Write Transactions

Device Utilization

Table 6-4 shows the PIO design FPGA resource utilization.

Table 6-4: PIO Design FPGA Resources

Resources	Utilization
LUTs	300
Flip-Flops	500
Block RAMs	4

Demonstration Test Bench

Root Port Model Test Bench for Endpoint

The PCI Express Root Port Model is a robust test bench environment that provides a test program interface that can be used with the provided PIO design or with your design. The purpose of the Root Port Model is to provide a source mechanism for generating downstream PCI Express TLP traffic to stimulate the customer design, and a destination mechanism for receiving upstream PCI Express TLP traffic from the customer design in a simulation environment.

Source code for the Root Port Model is included to provide the model for a starting point for the user test bench. All the significant work for initializing the core configuration space, creating TLP transactions, generating TLP logs, and providing an interface for creating and verifying tests are complete, allowing you to dedicate efforts to verifying the correct functionality of the design rather than spending time developing an Endpoint core test bench infrastructure.

The Root Port Model consists of:

- Test Programming Interface (TPI), which allows the user to stimulate the Endpoint device for the PCI Express
- Example tests that illustrate how to use the test program TPI
- Verilog source code for all Root Port Model components, which allow you to customize the test bench

Figure 6-7 illustrates the Root Port Model coupled with the PIO design.

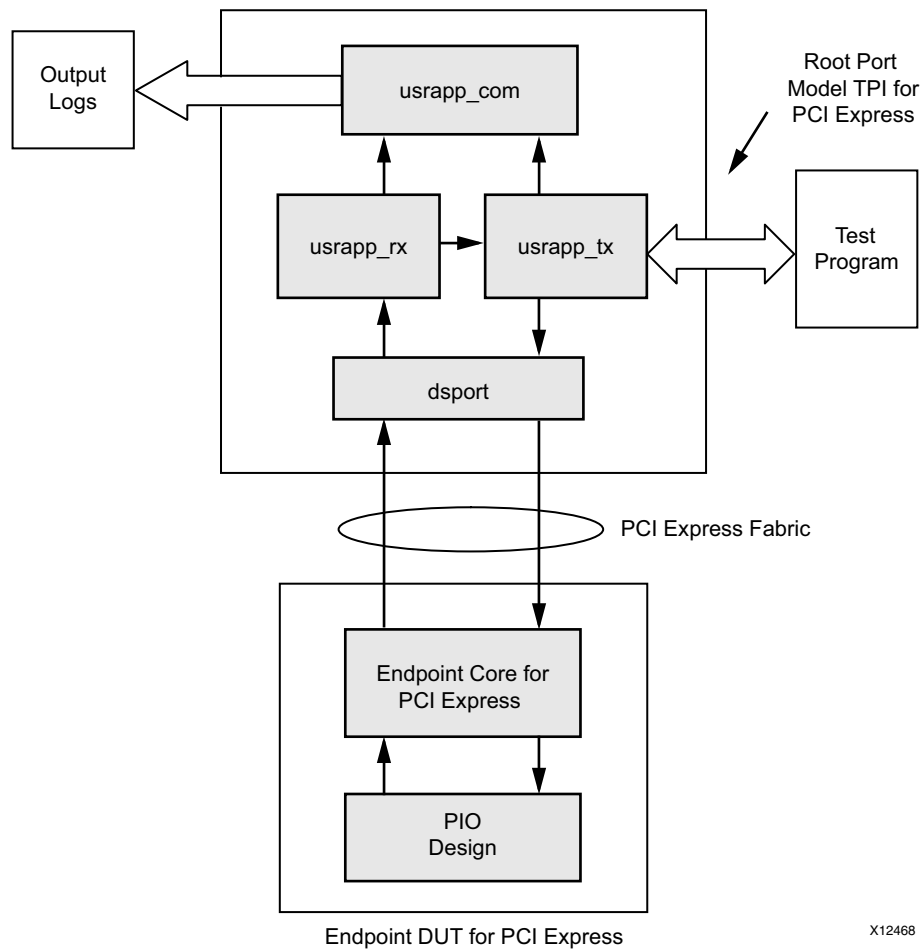


Figure 6-7: Root Port Model and Top-Level Endpoint

Architecture

The Root Port Model consists of these blocks, illustrated in Figure 6-7:

- dsport (Root Port)
- usrapp_tx
- usrapp_rx
- usrapp_com (Verilog only)

The usrapp_tx and usrapp_rx blocks interface with the dsport block for transmission and reception of TLPs to/from the Endpoint Design Under Test (DUT). The Endpoint DUT consists of the Endpoint for PCIe and the PIO design (displayed) or customer design.

The `usrapp_tx` block sends TLPs to the `dsport` block for transmission across the PCI Express Link to the Endpoint DUT. In turn, the Endpoint DUT device transmits TLPs across the PCI Express Link to the `dsport` block, which are subsequently passed to the `usrapp_rx` block. The `dsport` and `core` are responsible for the data link layer and physical link layer processing when communicating across the PCI Express logic. Both `usrapp_tx` and `usrapp_rx` utilize the `usrapp_com` block for shared functions, for example, TLP processing and log file outputting. Transaction sequences or test programs are initiated by the `usrapp_tx` block to stimulate the Endpoint device's fabric interface. TLP responses from the Endpoint device are received by the `usrapp_rx` block. Communication between the `usrapp_tx` and `usrapp_rx` blocks allow the `usrapp_tx` block to verify correct behavior and act accordingly when the `usrapp_rx` block has received TLPs from the Endpoint device.

Simulating the Design

Simulation script files are provided with the model to facilitate simulation with various simulation tools:

- `vsim -do simulate_mti.do`
- `./simulate_ncsim.sh`
- `./simulate_vcs.sh`

The example simulation script files are located in this directory:

```
<project_dir>/<component_name>/simulation/functional
```

Instructions for simulating the PIO design using the Root Port Model are provided in [Programmed Input/Output: Endpoint Example Design, page 231](#).

Scaled Simulation Timeouts

The simulation model of the core uses scaled down times during link training to allow for the link to train in a reasonable amount of time during simulation. According to the *PCI Express Specification, rev. 3.0* [Ref 2], there are various timeouts associated with the link training and status state machine (LTSSM) states. The core scales these timeouts by a factor of 256 in simulation, except in the `Recovery Speed_1` LTSSM state, where the timeouts are not scaled.

Test Selection

Table 6-5 describes the tests provided with the Root Port Model, followed by specific sections for Verilog test selection.

Table 6-5: Root Port Model Provided Tests

Test Name	Test in Verilog	Description
sample_smoke_test0	Verilog	Issues a PCI Type 0 Configuration Read TLP and waits for the completion TLP; then compares the value returned with the expected Device/Vendor ID value.
sample_smoke_test1	Verilog	Performs the same operation as sample_smoke_test0 but makes use of expectation tasks. This test uses two separate test program threads: one thread issues the PCI Type 0 Configuration Read TLP and the second thread issues the Completion with Data TLP expectation task. This test illustrates the form for a parallel test that uses expectation tasks. This test form allows for confirming reception of any TLPs from your design. Additionally, this method can be used to confirm reception of TLPs when ordering is unimportant.

Verilog Test Selection

The Verilog test model used for the Root Port Model lets the user specify the name of the test to be run as a command line parameter to the simulator.

To change the test to be run, change the value provided to TESTNAME, which is defined in the test files `sample_tests1.v` and `pio_tests.v`. This mechanism is used for Questa® SIM. Vivado simulator uses the `-testplusarg` options to specify TESTNAME, for example:

```
demo_tb.exe -gui -view wave.wcfg -wdb wave_isim -tclbatch
isim_cmd.tcl -testplusarg TESTNAME=sample_smoke_test0.
```

Waveform Dumping

Table 6-6 describes the available simulator waveform dump file formats, provided in the simulator native file format. The same mechanism is used for Questa® SIM.

Table 6-6: Simulator Dump File Format

Simulator	Dump File Format
Mentor Graphics Questa® SIM	.vcd
Synopsys VCS and Synopsys VCS_MX	.vpd
Cadence IES	.trn

Verilog Flow

The Root Port Model provides a mechanism for outputting the simulation waveform to file by specifying the `+dump_a11` command line parameter to the simulator.

Output Logging

When a test fails on the example or customer design, the test programmer debugs the offending test case. Typically, the test programmer inspects the wave file for the simulation and cross-reference this to the messages displayed on the standard output. Because this approach can be very time consuming, the Root Port Model offers an output logging mechanism to assist the tester with debugging failing test cases to speed the process.

The Root Port Model creates three output files (`tx.dat`, `rx.dat`, and `error.dat`) during each simulation run. Log files `rx.dat` and `tx.dat` each contain a detailed record of every TLP that was received and transmitted, respectively, by the Root Port Model.



TIP: *With an understanding of the expected TLP transmission during a specific test case, you can isolate the failure.*

The log file `error.dat` is used in conjunction with the expectation tasks. Test programs that utilize the expectation tasks generate a general error message to standard output. Detailed information about the specific comparison failures that have occurred due to the expectation error is located within `error.dat`.

Parallel Test Programs

There are two classes of tests are supported by the Root Port Model:

- Sequential tests. Tests that exist within one process and behave similarly to sequential programs. The test depicted in [Test Program: pio_writeReadBack_test0, page 245](#) is an example of a sequential test. Sequential tests are very useful when verifying behavior that have events with a known order.
- Parallel tests. Tests involving more than one process thread. The test `sample_smoke_test1` is an example of a parallel test with two process threads. Parallel tests are very useful when verifying that a specific set of events have occurred, however the order of these events are not known.

A typical parallel test uses the form of one command thread and one or more expectation threads. These threads work together to verify the device functionality. The role of the command thread is to create the necessary TLP transactions that cause the device to receive and generate TLPs. The role of the expectation threads is to verify the reception of an expected TLP. The Root Port Model TPI has a complete set of expectation tasks to be used in conjunction with parallel tests.

Because the example design is a target-only device, only Completion TLPs can be expected by parallel test programs while using the PIO design. However, the full library of expectation tasks can be used for expecting any TLP type when used in conjunction with the customer design (which can include bus-mastering functionality).

Test Description

The Root Port Model provides a Test Program Interface (TPI). The TPI provides the means to create tests by invoking a series of Verilog tasks. All Root Port Model tests should follow the same six steps:

1. Perform conditional comparison of a unique test name
2. Set up master timeout in case simulation hangs
3. Wait for Reset and link-up
4. Initialize the configuration space of the Endpoint
5. Transmit and receive TLPs between the Root Port Model and the Endpoint DUT
6. Verify that the test succeeded

Test Program: pio_writeReadBack_test0

```

1.  else if(testname == "pio_writeReadBack_test1"
2.  begin
3.  // This test performs a 32 bit write to a 32 bit Memory space and performs a read back
4.  TSK_SIMULATION_TIMEOUT(10050);
5.  TSK_SYSTEM_INITIALIZATION;
6.  TSK_BAR_INIT;
7.  for (ii = 0; ii <= 6; ii = ii + 1) begin
8.      if (BAR_INIT_P_BAR_ENABLED[ii] > 2'b00) // bar is enabled
9.          case(BAR_INIT_P_BAR_ENABLED[ii])
10.             2'b01 : // IO SPACE
11.                 begin
12.                     $display("[%t] : NOTHING: to IO 32 Space BAR %x", $realtime, ii);
13.                 end
14.             2'b10 : // MEM 32 SPACE
15.                 begin
16.                     $display("[%t] : Transmitting TLPs to Memory 32 Space BAR %x",
17.                             $realtime, ii);
18.                     //-----
19.                     // Event : Memory Write 32 bit TLP
20.                     //-----
21.                     DATA_STORE[0] = 8'h04;
22.                     DATA_STORE[1] = 8'h03;
23.                     DATA_STORE[2] = 8'h02;
24.                     DATA_STORE[3] = 8'h01;
25.                     P_READ_DATA = 32'hffff_ffff; // make sure P_READ_DATA has known initial value
26.                     TSK_TX_MEMORY_WRITE_32(DEFAULT_TAG, DEFAULT_TC, 10'd1, BAR_INIT_P_BAR[ii][31:0] , 4'hF,
4'hF, 1'b0);
27.                     TSK_TX_CLK_EAT(10);
28.                     DEFAULT_TAG = DEFAULT_TAG + 1;
29.                     //-----
30.                     // Event : Memory Read 32 bit TLP
31.                     //-----
32.                     TSK_TX_MEMORY_READ_32(DEFAULT_TAG, DEFAULT_TC, 10'd1, BAR_INIT_P_BAR[ii][31:0], 4'hF,
4'hF);
33.                     TSK_WAIT_FOR_READ_DATA;
34.                     if (P_READ_DATA != {DATA_STORE[3], DATA_STORE[2], DATA_STORE[1], DATA_STORE[0] })
35.                         begin
36.                             $display("[%t] : Test FAILED --- Data Error Mismatch, Write Data %x != Read Data %x",
$realtime,{DATA_STORE[3], DATA_STORE[2], DATA_STORE[1], DATA_STORE[0]}, P_READ_DATA);
37.                         end
38.                     else
39.                         begin
40.                             $display("[%t] : Test PASSED --- Write Data: %x successfully received", $realtime,
P_READ_DATA);
41.                         end

```

Expanding the Root Port Model

The Root Port Model was created to work with the PIO design, and for this reason is tailored to make specific checks and warnings based on the limitations of the PIO design. These checks and warnings are enabled by default when the Root Port Model is generated by the Vivado IP catalog. However, these limitations can be disabled so that they do not affect the customer design.

Because the PIO design was created to support at most one I/O BAR, one Mem64 BAR, and two Mem32 BARs (one of which must be the EROM space), the Root Port Model by default makes a check during device configuration that verifies that the core has been configured to meet this requirement. A violation of this check causes a warning message to be displayed as well as for the offending BAR to be gracefully disabled in the test bench. This check can be disabled by setting the `pio_check_design` variable to zero in the `pci_exp_usrapp_tx.v` file.

Root Port Model TPI Task List

The Root Port Model TPI tasks include these tasks, which are further defined in these tables.

- [Table 6-7, Test Setup Tasks](#)
- [Table 6-8, TLP Tasks](#)
- [Table 6-9, BAR Initialization Tasks](#)
- [Table 6-10, Example PIO Design Tasks](#)
- [Table 6-11, Expectation Tasks](#)

Table 6-7: Test Setup Tasks

Name	Input(s)		Description
TSK_SYSTEM_INITIALIZATION	None		Waits for transaction interface reset and link-up between the Root Port Model and the Endpoint DUT. This task must be invoked prior to the Endpoint core initialization.
TSK_USR_DATA_SETUP_SEQ	None		Initializes global 4096 byte DATA_STORE array entries to sequential values from zero to 4095.
TSK_TX_CLK_EAT	clock count	31:30	Waits clock_count transaction interface clocks.
TSK_SIMULATION_TIMEOUT	timeout	31:0	Sets master simulation timeout value in units of transaction interface clocks. This task should be used to ensure that all DUT tests complete.

Table 6-8: TLP Tasks

Name	Input(s)	Description
TSK_TX_TYPE0_CONFIGURATION_READ	tag_ reg_addr_ first_dw_be_	7:0 11:0 3:0 Waits for transaction interface reset and link-up between the Root Port Model and the Endpoint DUT. This task must be invoked prior to Endpoint core initialization.
TSK_TX_TYPE1_CONFIGURATION_READ	tag_ reg_addr_ first_dw_be_	7:0 11:0 3:0 Sends a Type 1 PCI Express Config Read TLP from Root Port Model to reg_addr_ of Endpoint DUT with tag_ and first_dw_be_ inputs. CpID returned from the Endpoint DUT uses the contents of global COMPLETE_ID_CFG as the completion ID.
TSK_TX_TYPE0_CONFIGURATION_WRITE	tag_ reg_addr_ reg_data_ first_dw_be_	7:0 11:0 31:0 3:0 Sends a Type 0 PCI Express Config Write TLP from Root Port Model to reg_addr_ of Endpoint DUT with tag_ and first_dw_be_ inputs. Cpl returned from the Endpoint DUT uses the contents of global COMPLETE_ID_CFG as the completion ID.
TSK_TX_TYPE1_CONFIGURATION_WRITE	tag_ reg_addr_ reg_data_ first_dw_be_	7:0 11:0 31:0 3:0 Sends a Type 1 PCI Express Config Write TLP from Root Port Model to reg_addr_ of Endpoint DUT with tag_ and first_dw_be_ inputs. Cpl returned from the Endpoint DUT uses the contents of global COMPLETE_ID_CFG as the completion ID.
TSK_TX_MEMORY_READ_32	tag_ tc_ len_ addr_ last_dw_be_ first_dw_be_	7:0 2:0 10:0 31:0 3:0 3:0 Sends a PCI Express Memory Read TLP from Root Port to 32-bit memory address addr_ of Endpoint DUT. CpID returned from the Endpoint DUT uses the contents of global COMPLETE_ID_CFG as the completion ID.
TSK_TX_MEMORY_READ_64	tag_ tc_ len_ addr_ last_dw_be_ first_dw_be_	7:0 2:0 10:0 63:0 3:0 3:0 Sends a PCI Express Memory Read TLP from Root Port Model to 64-bit memory address addr_ of Endpoint DUT. CpID returned from the Endpoint DUT uses the contents of global COMPLETE_ID_CFG as the completion ID.
TSK_TX_MEMORY_WRITE_32	tag_ tc_ len_ addr_ last_dw_be_ first_dw_be_ ep_	7:0 2:0 10:0 31:0 3:0 3:0 - Sends a PCI Express Memory Write TLP from Root Port Model to 32-bit memory address addr_ of Endpoint DUT. CpID returned from the Endpoint DUT uses the contents of global COMPLETE_ID_CFG as the completion ID. The global DATA_STORE byte array is used to pass write data to task.

Table 6-8: TLP Tasks (Cont'd)

Name	Input(s)	Description
TSK_TX_MEMORY_WRITE_64	tag_ 7:0 tc_ 2:0 len_ 10:0 addr_ 63:0 last_dw_be_ 3:0 first_dw_be_ 3:0 ep_ -	Sends a PCI Express Memory Write TLP from Root Port Model to 64-bit memory address addr_ of Endpoint DUT. CplID returned from the Endpoint DUT uses the contents of global COMPLETE_ID_CFG as the completion ID. The global DATA_STORE byte array is used to pass write data to task.
TSK_TX_COMPLETION	tag_ 7:0 tc_ 2:0 len_ 10:0 comp_status_ 2:0	Sends a PCI Express Completion TLP from Root Port Model to the Endpoint DUT using global COMPLETE_ID_CFG as the completion ID.
TSK_TX_COMPLETION_DATA	tag_ 7:0 tc_ 2:0 len_ 10:0 byte_count 11:0 lower_addr 6:0 comp_status 2:0 ep_ -	Sends a PCI Express Completion with Data TLP from Root Port Model to the Endpoint DUT using global COMPLETE_ID_CFG as the completion ID. The global DATA_STORE byte array is used to pass completion data to task.
TSK_TX_MESSAGE	tag_ 7:0 tc_ 2:0 len_ 10:0 data 63:0 message_rtg 2:0 message_code 7:0	Sends a PCI Express Message TLP from Root Port Model to Endpoint DUT. Completion returned from the Endpoint DUT uses the contents of global COMPLETE_ID_CFG as the completion ID.
TSK_TX_MESSAGE_DATA	tag_ 7:0 tc_ 2:0 len_ 10:0 data 63:0 message_rtg 2:0 message_code 7:0	Sends a PCI Express Message with Data TLP from Root Port Model to Endpoint DUT. The global DATA_STORE byte array is used to pass message data to task. Completion returned from the Endpoint DUT uses the contents of global COMPLETE_ID_CFG as the completion ID.
TSK_TX_IO_READ	tag_ 7:0 addr_ 31:0 first_dw_be_ 3:0	Sends a PCI Express I/O Read TLP from Root Port Model to I/O address addr_[31:2] of the Endpoint DUT. CplID returned from the Endpoint DUT uses the contents of global COMPLETE_ID_CFG as the completion ID.
TSK_TX_IO_WRITE	tag_ 7:0 addr_ 31:0 first_dw_be_ 3:0 data 31:0	Sends a PCI Express I/O Write TLP from Root Port Model to I/O address addr_[31:2] of the Endpoint DUT. CplID returned from the Endpoint DUT uses the contents of global COMPLETE_ID_CFG as the completion ID.

Table 6-8: TLP Tasks (Cont'd)

Name	Input(s)	Description
TSK_TX_BAR_READ	bar_index 2:0 byte_offset 31:0 tag_ 7:0 tc_ 2:0	Sends a PCI Express one Dword Memory 32, Memory 64, or I/O Read TLP from the Root Port Model to the target address corresponding to offset byte_offset from BAR bar_index of the Endpoint DUT. This task sends the appropriate Read TLP based on how BAR bar_index has been configured during initialization. This task can only be called after TSK_BAR_INIT has successfully completed. CplD returned from the Endpoint DUT use the contents of global COMPLETE_ID_CFG as the completion ID.
TSK_TX_BAR_WRITE	bar_index 2:0 byte_offset 31:0 tag_ 7:0 tc_ 2:0 data_ 31:0	Sends a PCI Express one Dword Memory 32, Memory 64, or I/O Write TLP from the Root Port to the target address corresponding to offset byte_offset from BAR bar_index of the Endpoint DUT. This task sends the appropriate Write TLP based on how BAR bar_index has been configured during initialization. This task can only be called after TSK_BAR_INIT has successfully completed.
TSK_WAIT_FOR_READ_DATA	None	Waits for the next completion with data TLP that was sent by the Endpoint DUT. On successful completion, the first Dword of data from the CplD is stored in the global P_READ_DATA. This task should be called immediately following any of the read tasks in the TPI that request Completion with Data TLPs to avoid any race conditions. By default this task locally times out and terminate the simulation after 1000 transaction interface clocks. The global cpld_to_finish can be set to zero so that local time out returns execution to the calling test and does not result in simulation timeout. For this case test programs should check the global cpld_to, which when set to one indicates that this task has timed out and that the contents of P_READ_DATA are invalid.

Table 6-9: BAR Initialization Tasks

Name	Input(s)	Description
TSK_BAR_INIT	None	<p>Performs a standard sequence of Base Address Register initialization tasks to the Endpoint device using the PCI Express fabric. Performs a scan of the Endpoint's PCI BAR range requirements, performs the necessary memory and I/O space mapping calculations, and finally programs the Endpoint so that it is ready to be accessed.</p> <p>On completion, the user test program can begin memory and I/O transactions to the device. This function displays to standard output a memory and I/O table that details how the Endpoint has been initialized. This task also initializes global variables within the Root Port Model that are available for test program usage. This task should only be called after TSK_SYSTEM_INITIALIZATION.</p>
TSK_BAR_SCAN	None	<p>Performs a sequence of PCI Type 0 Configuration Writes and Configuration Reads using the PCI Express logic to determine the memory and I/O requirements for the Endpoint.</p> <p>The task stores this information in the global array BAR_INIT_P_BAR_RANGE[]. This task should only be called after TSK_SYSTEM_INITIALIZATION.</p>
TSK_BUILD_PCIE_MAP	None	<p>Performs memory and I/O mapping algorithm and allocates Memory 32, Memory 64, and I/O space based on the Endpoint requirements.</p> <p>This task has been customized to work in conjunction with the limitations of the PIO design and should only be called after completion of TSK_BAR_SCAN.</p>
TSK_DISPLAY_PCIE_MAP	None	<p>Displays the memory mapping information of the Endpoint core PCI Base Address Registers. For each BAR, the BAR value, the BAR range, and BAR type is given. This task should only be called after completion of TSK_BUILD_PCIE_MAP.</p>

Table 6-10: Example PIO Design Tasks

Name	Input(s)		Description
TSK_TX_READBACK_CONFIG	None		<p>Performs a sequence of PCI Type 0 Configuration Reads to the Endpoint device's Base Address Registers, PCI Command Register, and PCIe Device Control Register using the PCI Express logic.</p> <p>This task should only be called after TSK_SYSTEM_INITIALIZATION.</p>
TSK_MEM_TEST_DATA_BUS	bar_index	2:0	<p>Tests whether the PIO design FPGA block RAM data bus interface is correctly connected by performing a 32-bit walking ones data test to the I/O or memory address pointed to by the input bar_index.</p> <p>For an exhaustive test, this task should be called four times, once for each block RAM used in the PIO design.</p>

Table 6-10: Example PIO Design Tasks (Cont'd)

Name	Input(s)		Description
TSK_MEM_TEST_ADDR_BUS	bar_index nBytes	2:0 31:0	Tests whether the PIO design FPGA block RAM address bus interface is accurately connected by performing a walking ones address test starting at the I/O or memory address pointed to by the input bar_index. For an exhaustive test, this task should be called four times, once for each block RAM used in the PIO design. Additionally, the nBytes input should specify the entire size of the individual block RAM.
TSK_MEM_TEST_DEVICE	bar_index nBytes	2:0 31:0	Tests the integrity of each bit of the PIO design FPGA block RAM by performing an increment/decrement test on all bits starting at the block RAM pointed to by the input bar_index with the range specified by input nBytes. For an exhaustive test, this task should be called four times, once for each block RAM used in the PIO design. Additionally, the nBytes input should specify the entire size of the individual block RAM.
TSK_RESET	Reset	0	Initiates PERSTn. Forces the PERSTn signal to assert the reset. Use TSK_RESET (1'b1) to assert the reset and TSK_RESET (1'b0) to release the reset signal.
TSK_MALFORMED	malformed_bits	7:0	Control bits for creating malformed TLPs: <ul style="list-style-type: none"> • 0001: Generate Malformed TLP for I/O Requests and Configuration Requests called immediately after this task • 0010: Generate Malformed Completion TLPs for Memory Read requests received at the Root Port

Table 6-11: Expectation Tasks

Name	Input(s)		Output	Description
TSK_EXPECT_CPLD	traffic_class td ep attr length completer_id completer_status bcm byte_count requester_id tag address_low	2:0 - - 1:0 10:0 15:0 2:0 - 11:0 15:0 7:0 6:0	Expect status	Waits for a Completion with Data TLP that matches traffic_class, td, ep, attr, length, and payload. Returns a 1 on successful completion; 0 otherwise.
TSK_EXPECT_CPL	traffic_class td ep attr completer_id completer_status bcm byte_count requester_id tag address_low	2:0 - - 1:0 15:0 2:0 - 11:0 15:0 7:0 6:0	Expect status	Waits for a Completion without Data TLP that matches traffic_class, td, ep, attr, and length. Returns a 1 on successful completion; 0 otherwise.
TSK_EXPECT_MEMRD	traffic_class td ep attr length requester_id tag last_dw_be first_dw_be address	2:0 - - 1:0 10:0 15:0 7:0 3:0 3:0 29:0	Expect status	Waits for a 32-bit Address Memory Read TLP with matching header fields. Returns a 1 on successful completion; 0 otherwise. This task can only be used in conjunction with Bus Master designs.
TSK_EXPECT_MEMRD64	traffic_class td ep attr length requester_id tag last_dw_be first_dw_be address	2:0 - - 1:0 10:0 15:0 7:0 3:0 3:0 61:0	Expect status	Waits for a 64-bit Address Memory Read TLP with matching header fields. Returns a 1 on successful completion; 0 otherwise. This task can only be used in conjunction with Bus Master designs.

Table 6-11: Expectation Tasks (Cont'd)

Name	Input(s)		Output	Description
TSK_EXPECT_MEMWR	traffic_class td ep attr length requester_id tag last_dw_be first_dw_be address	2:0 - - 1:0 10:0 15:0 7:0 3:0 3:0 29:0	Expect status	Waits for a 32-bit Address Memory Write TLP with matching header fields. Returns a 1 on successful completion; 0 otherwise. This task can only be used in conjunction with Bus Master designs.
TSK_EXPECT_MEMWR64	traffic_class td ep attr length requester_id tag last_dw_be first_dw_be address	2:0 - - 1:0 10:0 15:0 7:0 3:0 3:0 61:0	Expect status	Waits for a 64-bit Address Memory Write TLP with matching header fields. Returns a 1 on successful completion; 0 otherwise. This task can only be used in conjunction with Bus Master designs.
TSK_EXPECT_IOWR	td ep requester_id tag first_dw_be address data	- - 15:0 7:0 3:0 31:0 31:0	Expect status	Waits for an I/O Write TLP with matching header fields. Returns a 1 on successful completion; 0 otherwise. This task can only be used in conjunction with Bus Master designs.

Endpoint Model Test Bench for Root Port

The Endpoint model test bench for the core in Root Port configuration is a simple example test bench that connects the Configurator example design and the PCI Express Endpoint model allowing the two to operate like two devices in a physical system. As the Configurator example design consists of logic that initializes itself and generates and consumes bus traffic, the example test bench only implements logic to monitor the operation of the system and terminate the simulation.

The Endpoint model test bench consists of:

- Verilog or VHDL source code for all Endpoint model components
- PIO slave design

Figure 6-7, page 241 illustrates the Endpoint model coupled with the Configurator example design.

Architecture

The Endpoint model consists of these blocks:

- PCI Express Endpoint (the core in Endpoint configuration) model.
- PIO slave design, consisting of:
 - PIO_RX_ENGINE
 - PIO_TX_ENGINE
 - PIO_EP_MEM
 - PIO_TO_CTRL

The PIO_RX_ENGINE and PIO_TX_ENGINE blocks interface with the ep block for reception and transmission of TLPs from/to the Root Port Design Under Test (DUT). The Root Port DUT consists of the core configured as a Root Port and the Configurator Example Design, which consists of a Configurator block and a PIO Master design, or customer design.

The PIO slave design is described in detail in [Programmed Input/Output: Endpoint Example Design, page 231](#).

Simulating the Design

A simulation script file is provided with the model to facilitate simulation with the Mentor Graphics Questa® SIM simulator:

- `simulate_mti.do`

The example simulation script files are located in this directory:

```
<project_dir>/<component_name>/simulation/functional
```

Instructions for simulating the Configurator example design with the Endpoint model are provided in [Simulating the Example Design, page 257](#).

Note: For Cadence IES users, the work construct must be manually inserted into the `cds.lib` file:

```
DEFINE WORK WORK.
```

Scaled Simulation Timeouts

The simulation model of the core uses scaled down times during link training to allow for the link to train in a reasonable amount of time during simulation. According to the *PCI Express Specification, rev. 3.0* [Ref 2], there are various timeouts associated with the link

training and status state machine (LTSSM) states. The core scales these timeouts by a factor of 256 in simulation, except in the Recovery Speed_1 LTSSM state, where the timeouts are not scaled.

Waveform Dumping

Table 6-6 describes the available simulator waveform dump file format, which is provided in the simulator native file format.

Table 6-12: Simulator Dump File Format

Simulator	Dump File Format
Questa® SIM	.vcd

The Endpoint model test bench provides a mechanism for outputting the simulation waveform to file by specifying the `+dump_all` command line parameter to the simulator.

For example, the script file `simulate_ncsim.sh` (used to start the Cadence IES simulator) can indicate to the Endpoint model that the waveform should be saved to a file using this command line:

```
ncsim work.boardx01 +dump_all
```

Output Logging

The test bench outputs messages, captured in the simulation log, indicating the time at which these occur:

- user_reset deasserted
- user_Ink_up asserted
- cfg_done asserted by the Configurator
- pio_test_finished asserted by the PIO Master
- Simulation Timeout (if pio_test_finished or pio_test_failed never asserted)

PIPE MODE Simulation

The PIPE Simulation mode allows you to run the simulations without GT block, which speeds up simulations.

To run the simulations using the PIPE interface to speed up the simulation, generate the core using the **Enable PIPE simulation** option, as shown on the [Basic](#) page of the Customize IP dialog box described in [Customizing the Core using the Vivado IP Catalog](#). With this option, the PIPE interface of the core top module in the PCIe example design is connected to PIPE interface of the model.



IMPORTANT: A new file `pcie3_7x_v2_0_gt_top_pipe.v` is created in the simulation directory, and the file replaces the GT block for PIPE mode simulation.

To run simulations using GT block with the same core, define `ENABLE_GT` during run time so that the original GT block is instantiated in the core top module and simulations are run using the GT block. Comments are included in the simulation scripts to define which parameters need to be passed to run the simulations using GT block.



TIP: Implementation is always run with the GT block. The PIPE mode is only for simulation.

Implementation

Implementing the Example Design

To run the implementation on the generated core, go to the XCI file, right-click, and select open IP example design. A new Vivado tool window opens with the project name "example_project" within the project directory. In this new window, select the Run Synthesis and Run Implementation buttons and generate a bitstream either in sequence or any at a time. Selecting the Generate Bitstream button runs all steps: synthesis, implementation, and then bitstream. Selecting the Implementation button runs synthesis first and then implementation.

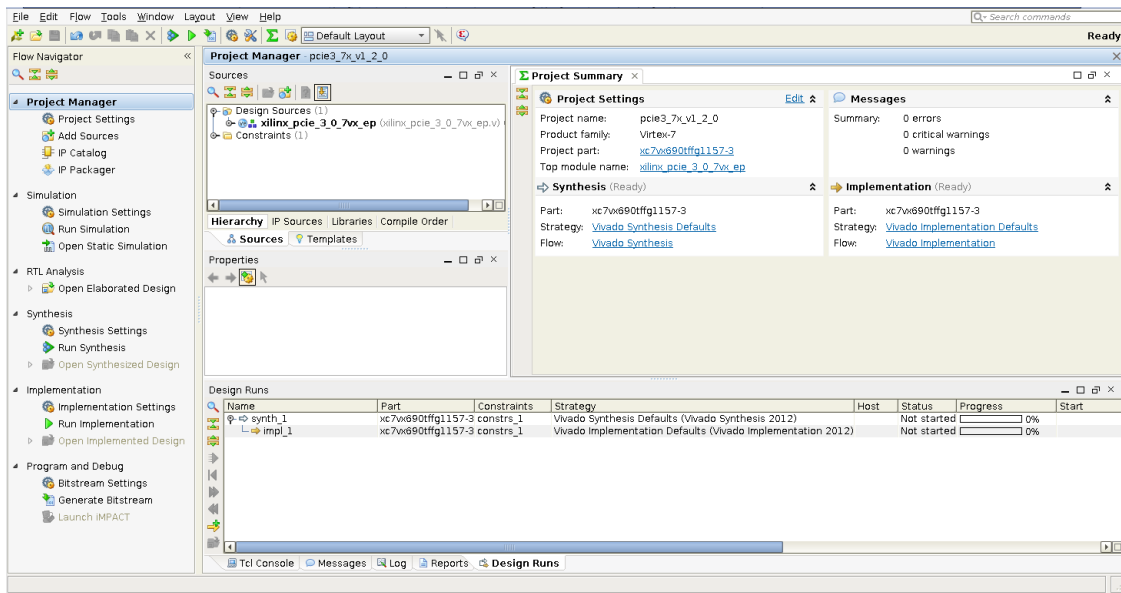


Figure 6-8: Example Project

Simulation

Simulating the Example Design

The example design provides a quick way to simulate and observe the behavior of the core.

Endpoint Configuration

The simulation environment provided with the Virtex-7 FPGA Gen3 Integrated Block for PCIe core in Endpoint configuration performs simple memory access tests on the PIO example design. Transactions are generated by the Root Port Model and responded to by the PIO example design.

- PCI Express Transaction Layer Packets (TLPs) are generated by the test bench transmit User Application (`pci_exp_usrapp_tx`). As it transmits TLPs, it also generates a log file, `tx.dat`.
- PCI Express TLPs are received by the test bench receive User Application (`pci_exp_usrapp_rx`). As the User Application receives the TLPs, it generates a log file, `rx.dat`.

For more information about the test bench, see [Root Port Model Test Bench for Endpoint, page 240](#).

Setting Up for Simulation

To run the gate-level simulation, the Xilinx Simulation Libraries must be compiled for the user system. See the Compiling Xilinx Simulation Libraries (COMPXLIB) in the *Xilinx Synthesis and Simulation Design Guide*, available from www.xilinx.com/support/software_manuals.htm.

Simulator Requirements

Virtex-7 FPGA designs require a Verilog LRM-IEEE 1364-2005 encryption-compliant simulator. This core supports this simulator:

- Mentor Graphics Questa® SIM
- Cadence IES
- Synopsys VCS
- Vivado Simulator

Running the Simulation

The simulation scripts provided with the example design support pre-implementation (RTL) simulation. The existing test bench can be used to simulate with a post-implementation version of the example design.

The pre-implementation simulation consists of these components:

- Verilog model of the test bench
 - Verilog RTL example design
 - The Verilog model of the core
1. To run the simulation, go to this directory:

```
<project_dir>/<component_name>/simulation/functional
```

2. Launch the simulator and run the script that corresponds to the user simulation tool:
 - **Questa® SIM** > do simulate_mti.do
 - **VCS** > ./simulate_vcs.sh
 - **IUS** > ./simulate_ncsim.sh

Migrating

For information on migrating to the Vivado™ Design Suite, see *Vivado Design Suite Migration Methodology Guide* (UG911) [\[Ref 9\]](#).

Receiver Buffer Completion Space

Table B-1 defines the completion space reserved in the receiver buffer by the core. The values differ depending on the different Capability Max Payload Size settings of the core and the performance level that you select. If you decide to not have the TLP Digests (ECRC) removed from the incoming packet stream, the TLP Digests (ECRC) must be accounted for as part of the data payload. Values are credits, expressed in Hexadecimal.

Table B-1: Buffer Allocation

Capabilities Max Payload Size	Performance Level: Good		Performance Level: Extreme	
	Completion Header	Completion Data	Completion Header	Completion Data
128,256,512	20H	1F0H	20H	3E0H
1024	20H	3E0H	20H	3E0H

Debugging

This appendix provides information on using resources available on the Xilinx Support website, available debug tools, and a step-by-step process for debugging designs that use the Virtex®-7 FPGA Gen3 Integrated Block for PCI Express® core. This appendix uses flow diagrams to guide you through the debug process.

The following information is found in this appendix:

- [Finding Help on Xilinx.com](#)
- [Debug Tools](#)
- [Simulation Debug](#)
- [Hardware Debug](#)
- [FPGA Configuration](#)

Finding Help on Xilinx.com

To help in the design and debug process when using the Virtex-7 FPGA, the Xilinx Support webpage (www.xilinx.com/support) contains key resources such as Product documentation, Release Notes, Answer Records, and links to opening a Technical Support case.

Documentation

This product guide is the main document associated with the Virtex-7 FPGA Gen3 Integrated Block for PCIe. This guide, along with documentation related to all products that aid in the design process, can be found on the Xilinx Support web page (www.xilinx.com/support) or by using the Xilinx Documentation Navigator.

You can download the Xilinx Documentation Navigator from the Design Tools tab on the Downloads page (www.xilinx.com/download). For more information about this tool and the features available, please reference the online help after installation.

Solution Centers

See the [Xilinx Solution Centers](#) for support on devices, software tools, and intellectual property at all stages of the design cycle. Topics include design assistance, advisories, and troubleshooting tips. The Solution Center specific to the Virtex-7 FPGA Gen3 Integrated Block for PCIe core is located at [Xilinx PCI Express Solution Center](#).

Known Issues

Answer Records include information about commonly encountered problems, helpful information on how to resolve these problems, and any known issues with a Xilinx product. Answer Records are created and maintained daily ensuring that users have access to the most accurate information available.

Answer Records for this core are listed below, and can also be located by using the Search Support box on the main [Xilinx support web page](#). To maximize your search results, use proper keywords such as

- product name
- tool messages
- summary of the issue encountered.

A filter search is available after results are returned to further target the results.

Master Answer Record for the Virtex-7 FPGA Gen3 Integrated Block for PCIe

AR [54645](#)

Contacting Xilinx Technical Support

Xilinx provides technical support at www.xilinx.com/support for this LogiCORE™ IP product when used as described in the product documentation. Xilinx cannot guarantee timing, functionality, or support of product if implemented in devices that are not defined in the documentation, if customized beyond that allowed in the product documentation, or if changes are made to any section of the design labeled DO NOT MODIFY.

To contact Technical Support:

- Navigate to www.xilinx.com/support.
- Open a WebCase by selecting the WebCase link located under **Support Quick Links**.

When opening a WebCase, include:

- Target FPGA including package and speed grade
- All applicable Vivado Design Suite, synthesis, and simulator software versions

Additional files might be required based on the specific issue. See the relevant sections in this debug guide for further information on specific files to include with the WebCase.

Debug Tools

There are many tools available to debug PCI Express design issues. This section indicates which tools are useful for debugging the various situations encountered.

Example Design

Xilinx® Endpoint for PCI Express products come with a synthesizable back-end application called the PIO design that has been tested and is proven to be interoperable in available systems. The design appropriately handles all incoming one Endpoint read and write transactions. It returns completions for non-posted transactions and updates the target memory space for writes. For more information, see [Programmed Input/Output: Endpoint Example Design, page 304](#).

Vivado Lab Tools

Vivado™ Lab Tools inserts logic analyzer (ILA) and virtual I/O (VIO) cores directly into your design. Vivado Lab Tools allows you to set trigger conditions to capture application and integrated block port signals in hardware. Captured signals can then be analyzed. This feature represents the functionality in the Vivado Integrated Design Environment (IDE) that is used for logic debugging and validation of a design running in Xilinx FPGA devices in hardware.

The Vivado logic analyzer is used to interact with the logic debug LogiCORE IP cores, including:

- ILA 2.0 (and later versions)
- VIO 2.0 (and later versions)

Link Analyzers

Third-party link analyzers show link traffic in a graphical or text format. Lecroy, Agilent, and Vmetro are companies that make common analyzers available today. These tools greatly assist in debugging link issues and allow users to capture data which Xilinx support representatives can view to assist in interpreting link behavior.

Third-Party Software Tools

This section describes third-party software tools that can be useful in debugging.

LSPCI (Linux)

LSPCI is available on Linux platforms and allows users to view the PCI Express device configuration space. LSPCI is usually found in the `/sbin` directory. LSPCI displays a list of devices on the PCI buses in the system. See the LSPCI manual for all command options. Some useful commands for debugging include:

- `lspci -x -d [<vendor>]: [<device>]`

This displays the first 64 bytes of configuration space in hexadecimal form for the device with vendor and device ID specified (omit the `-d` option to display information for all devices). The default Vendor/Device ID for Xilinx cores is 10EE:6012. Here is a sample of a read of the configuration space of a Xilinx device:

```
> lspci -x -d 10EE:6012
81:00.0 Memory controller: Xilinx Corporation: Unknown device 6012
00: ee 10 12 60 07 00 10 00 00 00 80 05 10 00 00 00
10: 00 00 80 fa 00 00 00 00 00 00 00 00 00 00 00 00
20: 00 00 00 00 00 00 00 00 00 00 00 00 ee 10 6f 50
30: 00 00 00 00 40 00 00 00 00 00 00 00 05 01 00 00
```

Included in this section of the configuration space are the Device ID, Vendor ID, Class Code, Status and Command, and Base Address Registers.

- `lspci -xxxx -d [<vendor>]: [<device>]`

This displays the extended configuration space of the device. It can be useful to read the extended configuration space on the root and look for the Advanced Error Reporting (AER) registers. These registers provide more information on why the device has flagged an error (for example, it might show that a correctable error was issued because of a replay timer timeout).

- `lspci -k`

Shows kernel drivers handling each device and kernel modules capable of handling it (works with kernel 2.6 or later).

PCItree (Windows)

PCItree can be downloaded at www.pcitree.de and allows the user to view the PCI Express device configuration space and perform one DWORD memory writes and reads to the aperture.

The configuration space is displayed by default in the lower right corner when the device is selected, as shown in [Figure C-1](#).

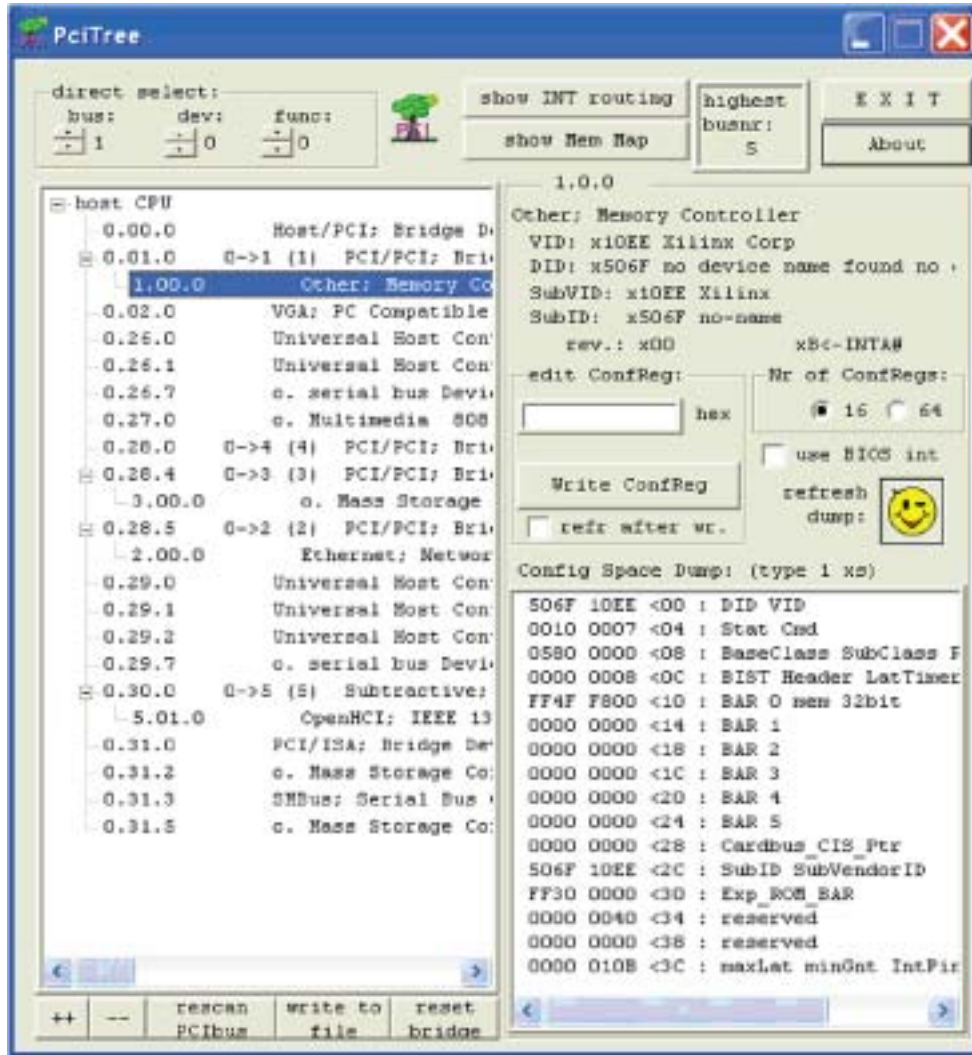


Figure C-1: PciTree with Read of Configuration Space

HWDIRECT (Windows)

HWDIRECT can be purchased at www.eprotek.com and allows the user to view the PCI Express device configuration space as well as the extended configuration space (including the AER registers on the root).

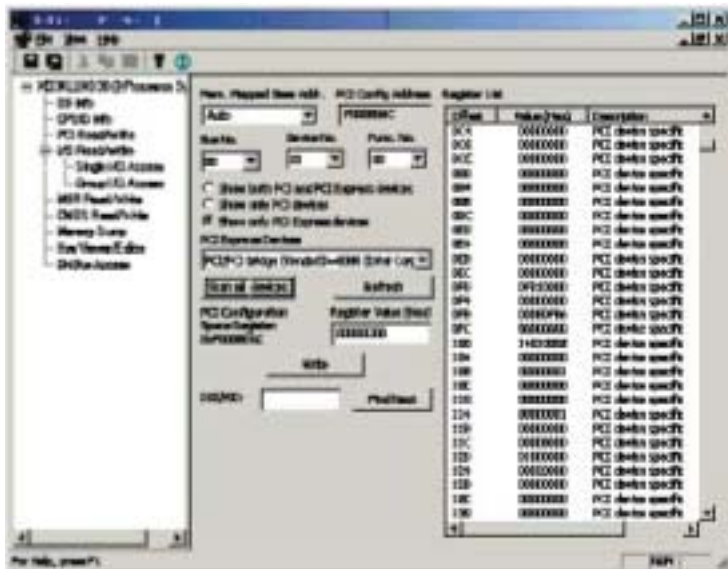


Figure C-2: HWDIRECT with Read of Configuration Space

PCI-SIG Software Suites

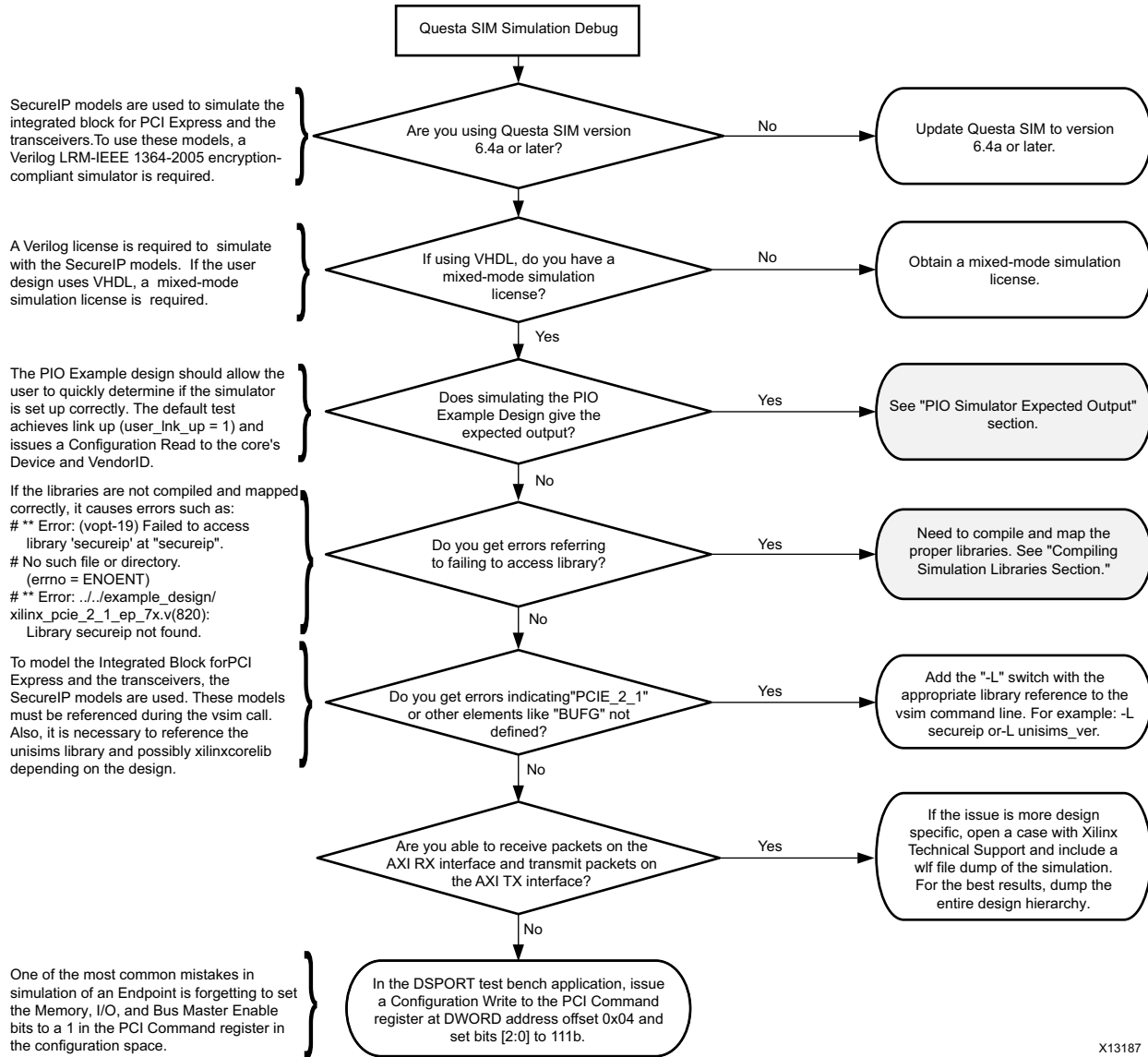
PCI-SIG® software suites such as PCIE-CV can be used to test compliance with the specification. This software can be downloaded at www.pcisig.com.

Simulation Debug

This section provides simulation debug flow diagrams for some of the most common issues experienced by users. Endpoints that are shaded gray indicate that more information can be found in sections after Figure C-3.

Questa SIM Debug

Figure C-3 shows the flowchart for Mentor Graphics Questa® SIM debug.

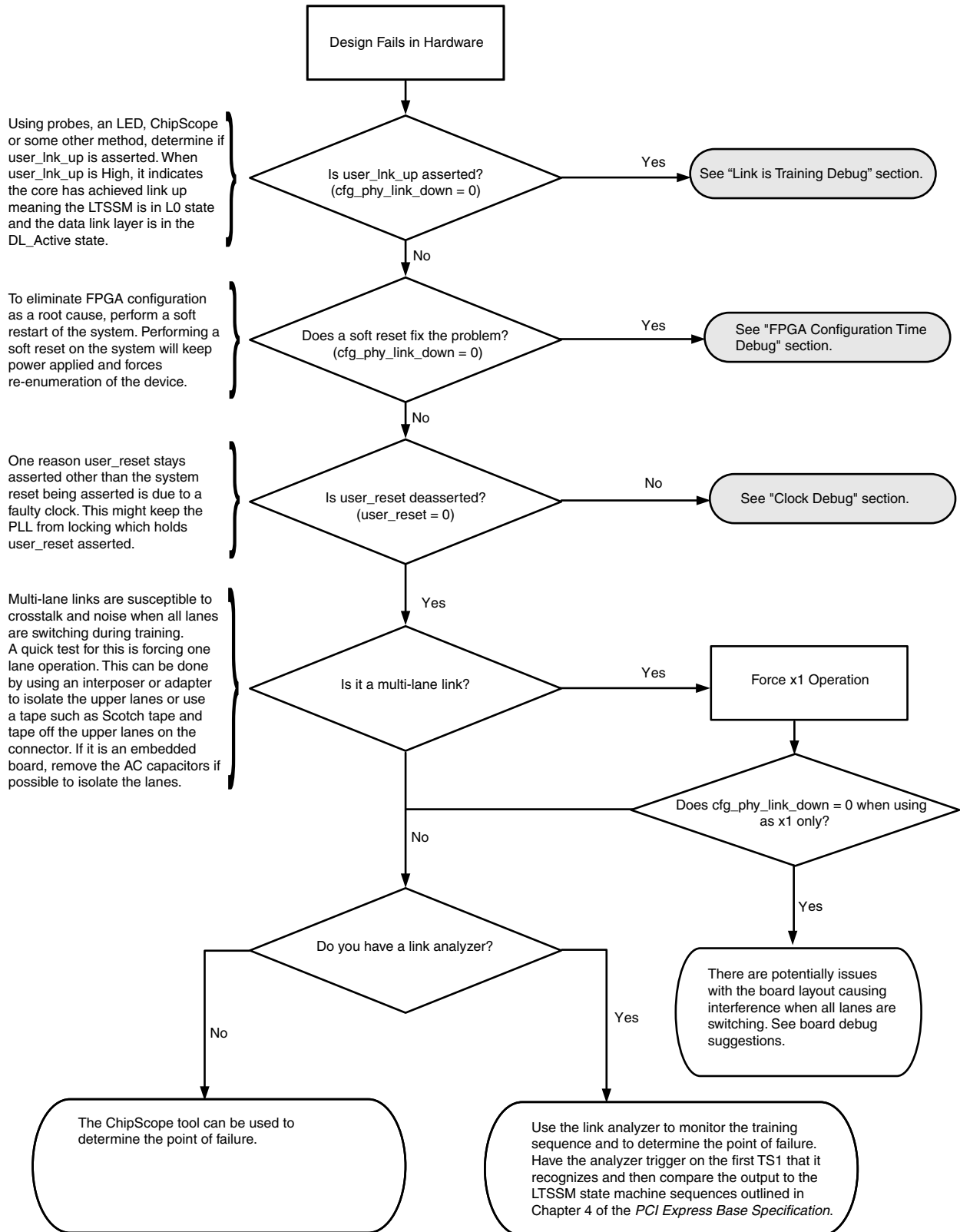


X13187

Figure C-3: Questa SIM Debug Flow Diagram

Hardware Debug

Hardware issues can range from device recognition issues to problems seen after hours of testing. This section provides debug flow diagrams for some of the most common issues experienced by users. Endpoints that are shaded gray indicate that more information can be found in sections after [Figure C-4](#).



X12454

Figure C-4: Design Fails in Hardware Debug Flow Diagram

FPGA Configuration Time Debug

Device initialization and configuration issues can be caused by not having the FPGA configured fast enough to enter link training and be recognized by the system. Section 6.6 of *PCI Express Base Specification, rev. 3.0* [Ref 2] states two rules that might be impacted by FPGA Configuration Time:

- A component must enter the LTSSM Detect state within 20 ms of the end of the Fundamental reset.
- A system must guarantee that all components intended to be software visible at boot time are ready to receive Configuration Requests within 100 ms of the end of Conventional Reset at the Root Complex.

These statements basically mean the FPGA must be configured within a certain finite time, and not meeting these requirements could cause problems with link training and device recognition.

Configuration can be accomplished using an onboard PROM or dynamically using JTAG. When using JTAG to configure the device, configuration typically occurs after the Chipset has enumerated each peripheral. After configuring the FPGA, a soft reset is required to restart enumeration and configuration of the device. A soft reset on a Windows based PC is performed by going to **Start > Shut Down** and then selecting **Restart**.

To eliminate FPGA configuration as a root cause, the designer should perform a soft restart of the system. Performing a soft reset on the system keeps power applied and forces re-enumeration of the device. If the device links up and is recognized after a soft reset is performed, the FPGA configuration is most likely the issue. Most typical systems use ATX power supplies which provide some margin on this 100 ms window as the power supply is normally valid before the 100 ms window starts. For more information on FPGA configuration, see [FPGA Configuration, page 276](#).

Link is Training Debug

[Figure C-5](#) shows the flowchart for link trained debug.

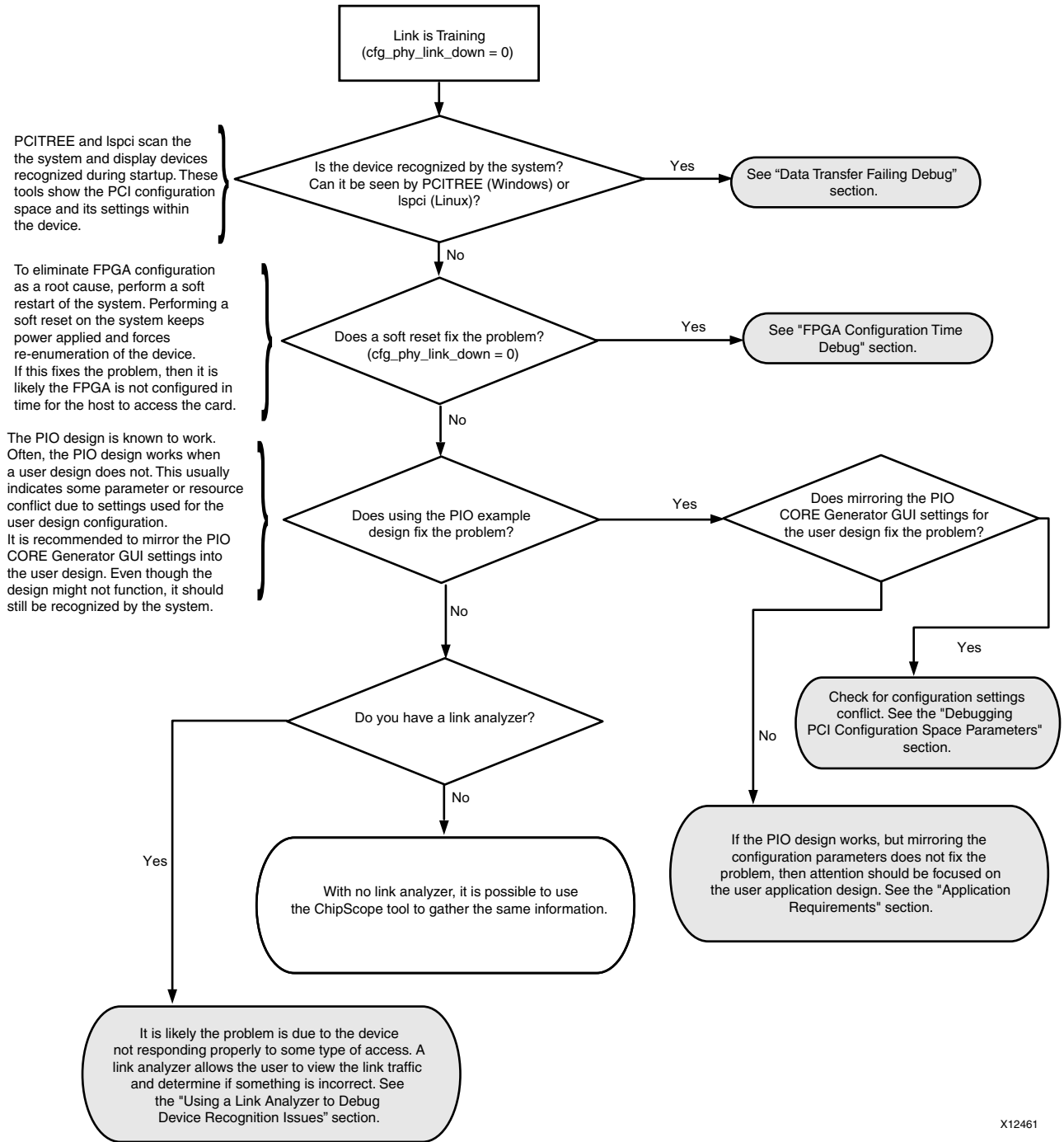


Figure C-5: Link Trained Debug Flow Diagram

Clock Debug

One reason to not deassert the `user_reset` signal is that the FPGA logic PLL (MMCM) and Transceiver PLL have not locked to the incoming clock. To verify lock, monitor the transceiver `RXPLLLKDET` output and the MMCM `LOCK` output. If the PLLs do not lock as

expected, it is necessary to ensure the incoming reference clock meets the requirements in the *7 Series FPGAs GTX/GTH Transceivers User Guide (UG476)* [Ref 7]. The REFCLK signal should be routed to the dedicated reference clock input pins on the serial transceiver, and the user design should instantiate the IBUFDS_GTE2 primitive in the user design. See the *7 Series FPGAs GTX/GTH Transceivers User Guide (UG476)* [Ref 7] for more information on PCB layout requirements, including reference clock requirements.

Reference clock jitter can potentially close both the TX and RX eyes, depending on the frequency content of the phase jitter. Therefore, as clean a reference clock as possible must be maintained. Reduce crosstalk on REFCLK by isolating the clock signal from nearby high-speed traces. Maintain a separation of at least 25 mils from the nearest aggressor signals. The PCI Special Interest Group website provides other tools for ensuring the reference clocks are compliant to the requirements of the *PCI Express Specification*: www.pcisig.com/specifications/pciexpress/compliance/compliance_library

Debugging PCI Configuration Space Parameters

Often, a user application fails to be recognized by the system, but the Xilinx PIO Example design works. In these cases, the user application is often using a PCI configuration space setting that is interfering with the system systems ability to recognize and allocate resources to the card.

Xilinx solutions for PCI Express handle all configuration transactions internally and generate the correct responses to incoming configuration requests. Chipsets have limits as to the amount of system resources it can allocate and the core must be configured to adhere to these limitations.

The resources requested by the Endpoint are identified by the BAR settings within the Endpoint configuration space. The user should verify that the resources requested in each BAR can be allocated by the chipset. I/O BARs are especially limited so configuring a large I/O BAR typically prevents the chipset from configuring the device. Generate a core that implements a small amount of memory (approximately 2 KB) to identify if this is the root cause.

The Class Code setting selected in the Vivado IP catalog can also affect configuration. The Class Code informs the Chipset as to what type of device the Endpoint is. Chipsets might expect a certain type of device to be plugged into the PCI Express slot and configuration might fail if it reads an unexpected Class Code. The BIOS could be configurable to work around this issue.

Use the PIO design with default settings to rule out any device allocation issues. The PIO design default settings have proven to work in all systems encountered when debugging problems. If the default settings allow the device to be recognized, then change the PIO design settings to match the intended user application by changing the PIO configuration the Vivado IP catalog. Trial and error might be required to pinpoint the issue if a link analyzer is not available.

Using a link analyzer, it is possible to monitor the link traffic and possibly determine when during the enumeration and configuration process problems occur.

Application Requirements

During enumeration, it is possible for the chipset to issue TLP traffic that is passed from the core to the backend application. A common oversight when designing custom backend applications is to not have logic which handles every type incoming request. As a result, no response is created and problems arise. The PIO design has the necessary backend functions to respond correctly to any incoming request. It is the responsibility of the application to generate the correct response. These packet types are presented to the application:

- Requests targeting the Expansion ROM (if enabled)
- Message TLPs
- Memory or I/O requests targeting a BAR
- All completion packets

The PIO design, can be used to rule out any of these types of concerns, as the PIO design responds to all incoming transactions to the user application in some way to ensure the host receives the proper response allowing the system to progress. If the PIO design works, but the custom application does not, some transaction is not being handled properly.

The ChipScope tool should be implemented on the wrapper Receive AXI4-Stream interface to identify if requests targeting the backend application are drained and completed successfully.

Using a Link Analyzer to Debug Device Recognition Issues

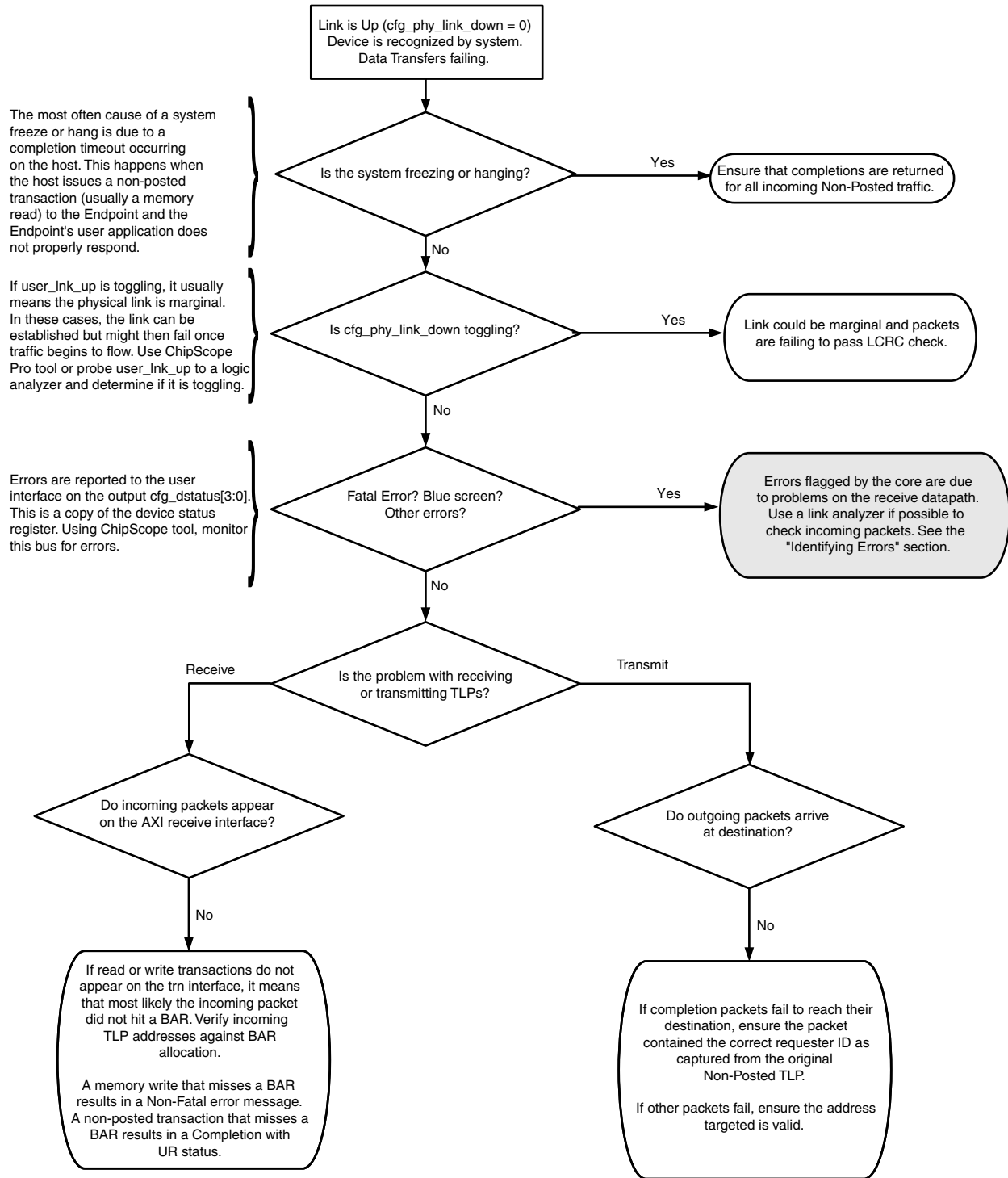
In cases where the link is up (`cfg_phy_link_down = 0`), but the device is not recognized by the system, a link analyzer can help solve the issue. It is likely the FPGA is not responding properly to some type of access. The link view can be used to analyze the traffic and see if anything looks out of place.

To focus on the issue, it might be necessary to try different triggers. Here are some trigger examples:

- Trigger on the first `INIT_FC1` and/or `UPDATE_FC` in either direction. This allows the analyzer to begin capture after link up.
- The first TLP normally transmitted to an Endpoint is the Set Slot Power Limit Message. This usually occurs before Configuration traffic begins. This might be a good trigger point.
- Trigger on Configuration TLPs.
- Trigger on Memory Read or Memory Write TLPs.

Data Transfer Failing Debug

Figure C-6 shows the flowchart for data transfer debug.



X12453

Figure C-6: Data Transfer Debug Flow Diagram

Identifying Errors

Hardware symptoms of system lock up issues are indicated when the system hangs or a blue screen appears (PC systems). The *PCI Express Base Specification, rev. 3.0* [Ref 2] requires that error detection be implemented at the receiver. A system lock up or hang is commonly the result of a Fatal Error and is reported in bit 2 of the receiver Device Status register. Using the ChipScope tool, monitor the device status register of the core to see if a fatal error is being reported.

A fatal error reported at the Root complex implies an issue on the transmit side of the EP. The Root Complex Device Status register can often times be seen using PCITree (Windows) or LSPCI (Linux). If a fatal error is detected, see the [Transmit](#) section. A Root Complex can often implement Advanced Error Reporting, which further distinguishes the type of error reported. AER provides valuable information as to why a certain error was flagged and is provided as an extended capability within a devices configuration space. Section 7.10 of the *PCI Express Base Specification, rev. 3.0* [Ref 2] provides more information on AER registers.

Transmit

Fatal Error Detected on Root or Link Partner

Check to make sure the TLP is correctly formed and that the payload (if one is attached) matches what is stated in the header length field. The Endpoints device status register does not report errors created by traffic on the transmit channel.

Monitor the AXI4-Stream signals to verify all traffic is being initiated correctly (see [Port Descriptions, page 11](#)).

Fatal Error Not Detected

Ensure that the address provided in the TLP header is valid. The kernel mode driver attached to the device is responsible for obtaining the system resources allocated to the device. In a Bus Mastering design, the driver is also responsible for providing the application with a valid address range. System hangs or blue screens might occur if a TLP contains an address that does not target the designated address range for that device.

Receive

System lock up conditions due to issues on the receive channel of the PCI Express core are often result of an error message being sent upstream to the root. Error messages are only sent when error reporting is enabled in the Device Control register.

A fatal condition is reported if any of these events occur:

- Training Error
- DLL Protocol Error

- Flow Control Protocol Error
- Malformed TLP
- Receiver Overflow

Non-Fatal Errors

This subsection lists conditions reported as Non-Fatal errors. See the *PCI Express Base Specification, rev. 3.0* [Ref 2] for more details.

If the error is being reported by the root, the AER registers can be read to determine the condition that led to the error. Use a tool such as HWDIRECT, discussed in [Third-Party Software Tools, page 264](#), to read the root AER registers. Chapter 7 of the *PCI Express Base Specification* [Ref 2] defines the AER registers. If the error is signaled by the Endpoint, debug ports are available to help determine the specific cause of the error.

Correctable Non-Fatal errors are:

- Receiver Error
- Bad TLP
- Bad DLLP
- Replay Timeout
- Replay NUM Rollover

The first three errors listed above are detected by the receiver and are not common in hardware systems. The replay error conditions are signaled by the transmitter. If an ACK is not received for a packet within the allowed time, it is replayed by the transmitter. Throughput can be reduced if many packets are being replayed, and the source can usually be determined by examining the link analyzer or ChipScope tool captures.

Uncorrectable Non-Fatal errors are:

- Poisoned TLP
- Received ECRC Check Failed
- Unsupported Request (UR)
- Completion Timeout
- Completer Abort
- Unexpected Completion
- ACS Violation

An unsupported request usually indicates that the address in the TLP did not fall within the address space allocated to the BAR. This often points to an issue with the address

translation performed by the driver. Ensure also that the BAR has been assigned correctly by the root at start-up. LSPCI or PCItree discussed in [Third-Party Software Tools, page 264](#) can be used to read the BAR values for each device.

A completion timeout indicates that no completion was returned for a transmitted TLP and is reported by the requester. This can cause the system to hang (could include a blue screen on Windows) and is usually caused when one of the devices locks up and stops responding to incoming TLPs. If the root is reporting the completion timeout, the ChipScope tool can be used to investigate why the User Application did not respond to a TLP (for example, the User Application is busy, there are no transmit buffers available, or `s_axis_tx_tready` is deasserted). If the Endpoint is reporting the Completion timeout, a link analyzer would show the traffic patterns during the time of failure and would be useful in determining the root cause.

Next Steps

If the debug suggestions listed previously do not resolve the issue, open a support case to have the appropriate Xilinx expert assist with the issue.

To create a technical support case in WebCase, see the Xilinx website at:

www.xilinx.com/support/clearexpress/websupport.htm

Items to include when opening a case:

- Detailed description of the issue and results of the steps listed above.
- Attach ChipScope tool VCD captures taken in the steps above.

To discuss possible solutions, use the Xilinx User Community:

forums.xilinx.com/xlnx/

FPGA Configuration

This section discusses how to configure the Virtex-7 FPGA so that the device can link up and be recognized by the system. This information is provided for you to choose the correct FPGA configuration method for the system and verify that it works as expected.

This section discusses how specific requirements of the *PCI Express Base Specification* and *PCI Express Card Electromechanical Specification* [\[Ref 2\]](#) apply to FPGA configuration.



RECOMMENDED: *Where appropriate, Xilinx recommends that you read the actual specifications for detailed information.*

This section is divided into four subsections:

- [Configuration Terminology](#). Defines terms used in this chapter.
- [Configuration Access Time](#). Several specification items govern when an Endpoint device needs to be ready to receive configuration accesses from the host (Root Complex).
- [Board Power in Real-World Systems](#). Understanding real-world system constraints related to board power and how they affect the specification requirements.
- [Recommendations](#). Describes methods for FPGA configuration and includes sample problem analysis for FPGA configuration timing issues.

Configuration Terminology

In this section, these terms are used to differentiate between FPGA configuration and configuration of the PCI Express® device:

- Configuration of the FPGA. *FPGA configuration* is used.
- Configuration of the PCI Express device. After the link is active, *configuration* is used.

Configuration Access Time

In standard systems for PCI Express, when the system is powered up, configuration software running on the processor starts scanning the PCI Express bus to discover the machine topology.

The process of scanning the PCI Express hierarchy to determine its topology is referred to as the *enumeration process*. The root complex accomplishes this by initiating configuration transactions to devices as it traverses and determines the topology.

All PCI Express devices are expected to have established the link with their link partner and be ready to accept configuration requests during the enumeration process. As a result, there are requirements as to when a device needs to be ready to accept configuration requests after power up; if the requirements are not met, this occurs:

- If a device is not ready and does not respond to configuration requests, the root complex does not discover it and treats it as non-existent.
- The operating system does not report the device's existence and the user's application is not able to communicate with the device.

Choosing the appropriate FPGA configuration method is key to ensuring the device is able to communicate with the system in time to achieve link up and respond to the configuration accesses.

Configuration Access Specification Requirements

Two PCI Express specification items are relevant to configuration access:

1. Section 6.6 of *PCI Express Base Specification, rev. 3.0* [Ref 2] states “A system must guarantee that all components intended to be software visible at boot time are ready to receive Configuration Requests within 100 ms of the end of Fundamental Reset at the Root Complex.” For detailed information about how this is accomplished, see the specification; it is beyond the scope of this discussion.

Xilinx compliance to this specification is validated by the PCI Express-CV tests. The PCI Special Interest Group (PCI-SIG) website [Ref 2] provides the PCI Express Configuration Test Software to verify the device meets the requirement of being able to receive configuration accesses within 100 ms of the end of the fundamental reset. The software, available to any member of the PCI-SIG, generates several resets using the in-band reset mechanism and PERST# toggling to validate robustness and compliance to the specification.

2. Section 6.6 of *PCI Express Base Specification rev. 3.0* [Ref 2] defines three parameters necessary “where power and PERST# are supplied.” The parameter T_{PVPERL} applies to FPGA configuration timing and is defined as:

T_{PVPERL} - PERST# must remain active at least this long after power becomes valid.

The *PCI Express Base Specification* [Ref 2] does not give a specific value for T_{PVPERL} – only its meaning is defined. The most common form factor used by designers with the Integrated Block core is an ATX-based form factor. The *PCI Express Card Electromechanical Specification* [Ref 2] focuses on requirements for ATX-based form factors. This applies to most designs targeted to standard desktop or server type motherboards. Figure C-7 shows the relationship between Power Stable and PERST#.

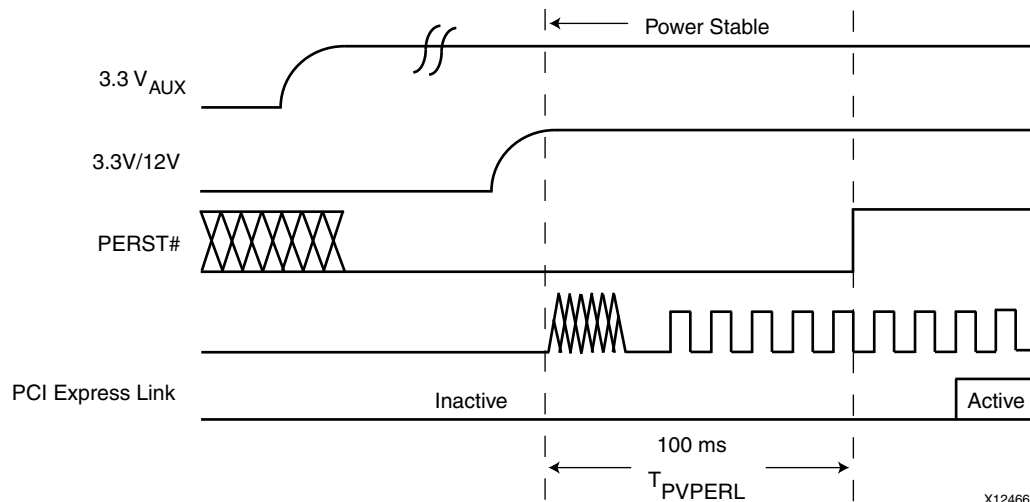


Figure C-7: Power Up

X12466

Section 2.6.2 of the *PCI Express Card Electromechanical Specification, rev. 3.0* [Ref 2] defines T_{PVPERL} as a minimum of 100 ms, indicating that from the time power is stable the system reset is asserted for at least 100 ms (as shown in Table C-1).

Table C-1: T_{PVPERL} Specification

Symbol	Parameter	Min	Max	Units
T_{PVPERL}	Power stable to PERST# inactive	100		ms

From Figure C-7 and Table C-1, it is possible to obtain a simple equation to define the FPGA configuration time as follows:

$$\text{FPGA Configuration Time} \leq T_{PWRVLD} + T_{PVPERL} \tag{Equation C-1}$$

Given that T_{PVPERL} is defined as 100 ms minimum, this becomes:

$$\text{FPGA Configuration Time} \leq T_{PWRVLD} + 100 \text{ ms} \tag{Equation C-2}$$

Note: Although T_{PWRVLD} is included in Equation C-2, it has yet to be defined in this discussion because it depends on the type of system in use. The [Board Power in Real-World Systems](#) section defines T_{PWRVLD} for both ATX-based and non ATX-based systems.

FPGA configuration time is only relevant at cold boot; subsequent warm or hot resets do not cause reconfiguration of the FPGA. If the design appears to be having issues due to FPGA configuration, the user should issue a warm reset as a simple test, which resets the system, including the PCI Express link, but keeps the board powered. If the issue does not appear, the issue could be FPGA configuration time related.

Board Power in Real-World Systems

Several boards are used in PCI Express systems. The *ATX Power Supply Design* specification, endorsed by Intel, is used as a guideline and for this reason followed in the majority of mother boards and 100% of the time if it is an Intel-based motherboard. The relationship between power rails and power valid signaling is described in the *ATX 12V Power Supply Design Guide* [Ref 10]. Figure C-8, redrawn here and simplified to show the information relevant to FPGA configuration, is based on the information and diagram found in section 3.3 of the *ATX 12V Power Supply Design Guide*. For the entire diagram and definition of all parameters, see the *ATX 12V Power Supply Design Guide*.

Figure C-8 shows that power stable indication from Figure C-7 for the PCI Express system is indicated by the assertion of PWR_OK. PWR_OK is asserted High after some delay when the power supply has reached 95% of nominal.

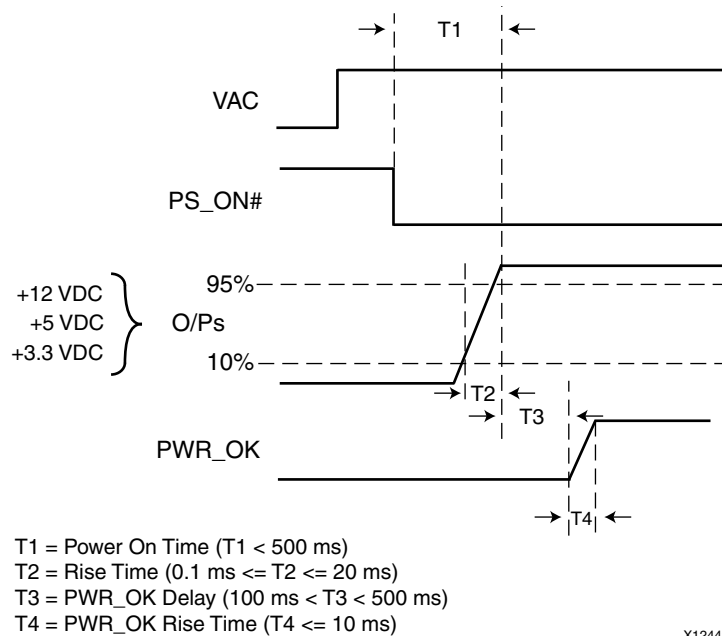


Figure C-8: ATX Power Supply

Figure C-8 shows that power is valid before PWR_OK is asserted High. This is represented by T3 and is the PWR_OK delay. The *ATX 12V Power Supply Design Guide* defines PWR_OK as 100 ms $< T3 < 500$ ms, indicating that from the point at which the power level reaches 95% of nominal, there is a minimum of at least 100 ms but no more than 500 ms of delay before PWR_OK is asserted. Remember, according to the *PCI Express Card Electromechanical Specification* [Ref 2], the PERST# is guaranteed to be asserted a minimum of 100 ms from when power is stable indicated in an ATX system by the assertion of PWR_OK.

Again, the FPGA configuration time equation is:

$$\text{FPGA Configuration Time} \leq T_{\text{PWRVLD}} + 100 \text{ ms} \tag{Equation C-3}$$

T_{PWRVLD} is defined as PWR_OK delay period; that is, T_{PWRVLD} represents the amount of time that power is valid in the system before PWR_OK is asserted. This time can be added to the amount of time the FPGA has to configure. The minimum values of T2 and T4 are negligible and considered zero for purposes of these calculations. For ATX-based motherboards, which represent the majority of real-world motherboards in use, T_{PWRVLD} can be defined as:

$$100 \text{ ms} \leq T_{\text{PWRVLD}} \leq 500 \text{ ms} \tag{Equation C-4}$$

This provides these requirements for FPGA configuration time in both ATX and non-ATX-based motherboards:

- FPGA Configuration Time ≤ 200 ms (for ATX based motherboard)
- FPGA Configuration Time ≤ 100 ms (for non-ATX based motherboard)

The second equation for the non-ATX based motherboards assumes a T_{PWRVLD} value of 0 ms because it is not defined in this context. Designers with non-ATX based motherboards should evaluate their own power supply design to obtain a value for T_{PWRVLD} .

This section assumes that the FPGA power (V_{CCINT}) is stable before or at the same time that PWR_OK is asserted. If this is not the case, additional time must be subtracted from the available time for FPGA configuration.



RECOMMENDED: *Avoid designing add-in cards with staggered voltage regulators with long delays.*

Hot Plug Systems

Hot Plug systems generally employ the use of a Hot-Plug Power Controller located on the system motherboard. Many discrete Hot-Plug Power Controllers extend T_{PVPERL} beyond the minimum 100 ms. Add-in card designers should consult the Hot-Plug Power Controller data sheet to determine the value of T_{PVPERL} . If the Hot-Plug Power Controller is unknown, then a T_{PVPERL} value of 100 ms should be assumed.

Recommendations



RECOMMENDED: *For minimum FPGA configuration time, use the BPI configuration mode with a parallel NOR flash, which supports high-speed synchronous read operation.*

In addition, an external clock source can be supplied to the external master configuration clock ($EMCCLK$) pin to ensure a consistent configuration clock frequency for all conditions. See the *7 Series FPGAs Configuration User Guide (UG470)* [Ref 4] for descriptions of the BPI configuration mode and $EMCCLK$ pin. This section discusses these recommendations and includes sample analysis of potential issues that might arise during FPGA configuration.

FPGA Configuration Times for Virtex-7 Devices

During power up, the FPGA configuration sequence is performed in three steps:

1. Wait for power on reset (POR) for all voltages (V_{CCINT} , V_{CCAUX} , and V_{CCO_0}) in the FPGA to trip, referred to as POR Trip Time.
2. Wait for completion (deassertion) of $INIT_B$ to allow the FPGA to initialize before accepting a bitstream transfer.

Note: As a general rule, steps 1 and 2 require ≤ 50 ms

3. Wait for assertion of DONE, the actual time required for a bitstream to transfer depends on:
 - Bitstream size
 - Clock (CCLK) frequency
 - Transfer mode (and data bus width) from the flash device
 - SPI = Serial Peripheral Interface (x1, x2, or x4)
 - BPI = Byte Peripheral Interface (x8 or x16)

Bitstream transfer time can be estimated using this equation.

$$\text{Bitstream transfer time} = (\text{bitstream size in bits}) / (\text{CCLK frequency}) / (\text{data bus width in bits}) \quad \text{Equation C-5}$$

For detailed information about the configuration process, see the *7 Series FPGAs Configuration User Guide (UG470)* [Ref 4].

Sample Problem Analysis

This section presents data from an ASUS PL5 system to demonstrate the relationships between Power Valid, FPGA Configuration, and PERST#. [Figure C-9](#) shows a case where the Endpoint failed to be recognized due to an FPGA configuration time issue. [Figure C-10](#) shows a successful FPGA configuration with the Endpoint being recognized by the system.

Failed FPGA Recognition

[Figure C-9](#) illustrates an example of a cold boot where the host failed to recognize the Xilinx FPGA. Although a second PERST# pulse assists in allowing more time for the FPGA to configure, the slowness of the FPGA configuration clock (2 MHz) causes configuration to complete well after this second deassertion. During this time, the system enumerated the bus and did not recognize the FPGA.

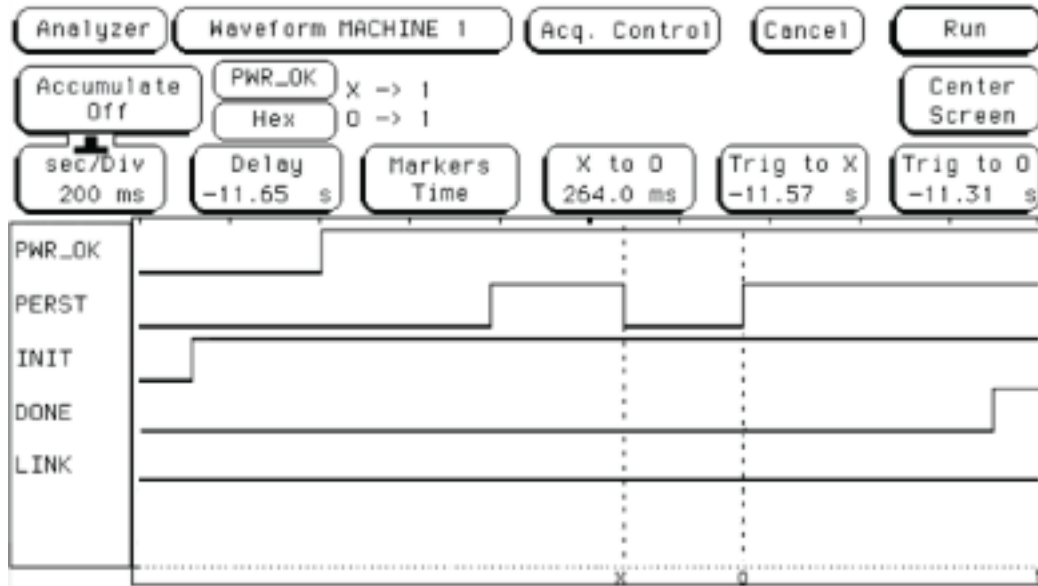


Figure C-9: Host Fails to Recognize FPGA Due to Slow Configuration Time

Successful FPGA Recognition

Figure C-10 illustrates a successful cold boot test on the same system. In this test, the CCLK was running at 50 MHz, allowing the FPGA to configure in time to be enumerated and recognized. The figure shows that the FPGA began initialization approximately 250 ms before PWR_OK. DONE going High shows that the FPGA was configured even before PWR_OK was asserted.

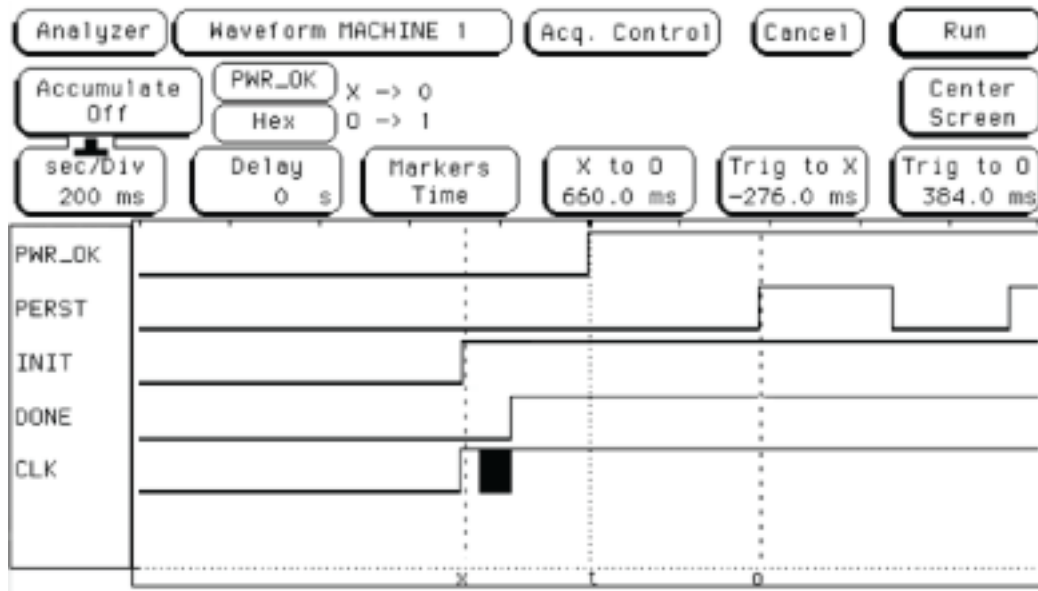


Figure C-10: Host Successfully Recognizes FPGA

Workarounds for Closed Systems

For failing FPGA configuration combinations, designers might be able to work around the issue in closed systems or systems where they can guarantee behavior. These options are not recommended for products where the targeted end system is unknown.

1. Check if the motherboard and BIOS generate multiple PERST# pulses at start-up. This can be determined by capturing the signal on the board using an oscilloscope. This is similar to what is shown in [Figure C-9](#). If multiple PERST# pulses are generated, this typically adds extra time for FPGA configuration.

Define $T_{\text{PERSTPERIOD}}$ as the total sum of the pulse width of PERST# and deassertion period before the next PERST# pulse arrives. Because the FPGA is not power cycled or reconfigured with additional PERST# assertions, the $T_{\text{PERSTPERIOD}}$ number can be added to the FPGA configuration equation.

$$\text{FPGA Configuration Time} \leq T_{\text{PWRVLD}} + T_{\text{PERSTPERIOD}} + 100 \text{ ms} \quad \text{Equation C-6}$$

2. In closed systems, it might be possible to create scripts to force the system to perform a warm reset after the FPGA is configured, after the initial power up sequence. This resets the system along with the PCI Express subsystem allowing the device to be recognized by the system.

Compiling Simulation Libraries

Use the `compxlib` command to compile simulation libraries. This tool is delivered as part of the Xilinx software. For more information see the *Command Line Tools User Guide* [\[Ref 8\]](#) under the section titled `compxlib`.

Assuming the Xilinx and Questa® SIM environments are set up correctly, this is an example of compiling the SecureIP and UNISIM libraries for Verilog into the current directory:

```
compxlib -s mti_se -arch virtex7 -l verilog -lib secureip -lib unisims -dir ./
```

There are many other options available for `compxlib` described in the *Command Line Tools User Guide* [\[Ref 8\]](#).

`Compxlib` produces a `modelsim.ini` file containing the library mappings. In Questa® SIM, to see the current library mappings type `vmap` at the prompt. The mappings can be updated in the ini file, or to map a library at the Questa® SIM prompt, type:

```
vmap [<logical_name>] [<path>]
```

For example:

```
Vmap unisims_ver C:\my_unisim_lib
```


Next Steps

If the debug suggestions listed previously do not resolve the issue, a support case should be opened to have the appropriate Xilinx expert assist with the issue.

To create a technical support case in WebCase, see the Xilinx website at:

www.xilinx.com/support/clearxpress/websupport.htm

Items to include when opening a case:

- Detailed description of the issue and results of the steps listed above.
- Attach a VCD or WLF dump of the simulation.

To discuss possible solutions, use the Xilinx User Community:

forums.xilinx.com/xlnx/

Attributes

Table D-1 defines the attributes in the LogiCORE™ IP Virtex-7 FPGA Gen3 Integrated Block for PCI Express core.

Table D-1: Virtex-7 FPGA Gen3 Integrated Block for PCI Express Core Attribute Descriptions

Attribute Name	Number of Bits	Attribute Type	Attribute Description	Applicable to RP Mode?
Core Basic				
CRM_CORE_CLK_FREQ_500	1	STRING	Core Clock Frequency. When this attribute is TRUE, the core clock input frequency is 500 MHz; otherwise, the core clock frequency is 250 MHz.	Y
CRM_USER_CLK_FREQ	2	HEX	User clock frequency. Valid settings are: <ul style="list-style-type: none"> • 00b: 62.5 MHz • 01b: 125 MHz • 10b: 250 MHz • 11b: Reserved 	Y
AXISTEN_IF_WIDTH	2	HEX	AXI4-Stream Enhanced Interface Width. Valid settings are: <ul style="list-style-type: none"> • 00b: 64b • 01b: 128b • 10b: 256b • 11b: Reserved 	Y
AXISTEN_IF_CQ_ALIGNMENT_MODE	1	STRING	AXI4-Stream Enhanced Interface CQ Alignment. Determines the data alignment mode for the CQ interface: <ul style="list-style-type: none"> • 0: Dword-aligned mode • 1: Address-aligned mode 	Y
AXISTEN_IF_CC_ALIGNMENT_MODE	1	STRING	AXI4-Stream Enhanced Interface CC Alignment. Determines the data alignment mode for the CC interface: <ul style="list-style-type: none"> • 0: Dword-aligned mode • 1: Address-aligned mode 	Y
AXISTEN_IF_RQ_ALIGNMENT_MODE	1	STRING	AXI4-Stream Enhanced Interface RQ Alignment. Determines the data alignment mode for the RQ interface: <ul style="list-style-type: none"> • 0: Dword-aligned mode • 1: address-aligned mode 	Y

Table D-1: Virtex-7 FPGA Gen3 Integrated Block for PCI Express Core Attribute Descriptions (Cont'd)

Attribute Name	Number of Bits	Attribute Type	Attribute Description	Applicable to RP Mode?
AXISTEN_IF_RC_ALIGNMENT_MODE	1	STRING	AXI4-Stream Enhanced Interface RC Alignment. Determines the data alignment mode for the RC interface: <ul style="list-style-type: none"> • 0: Dword-aligned mode • 1: address-aligned mode 	Y
AXISTEN_IF_RC_STRADDLE	1	STRING	Received AXISTEN Frame Straddle. When this attribute is TRUE, received requester completion AXISTEN frames are enabled to straddle single cycle transfers when AXISTEN_IF_WIDTH is configured to 256 bits. When this attribute is FALSE, the straddle feature is disabled.	Y
AXISTEN_IF_ENABLE_RX_MSG_INTFC	1	STRING	Received AXISTEN message interface enable. When this attribute is set to 0, received messages are delivered through the CQ interface. When this attribute is set to 1, these messages are delivered through the receive message interface.	Y
AXISTEN_IF_ENABLE_MSG_ROUTE	18	HEX	Received AXISTEN message routing. Enables the routing of message TLPs to the user through the AXI4-Stream CQ interface. A bit value of 1 enables routing of the message TLP to the user. Messages are always decoded by the message decoder. <ul style="list-style-type: none"> • Bit 0: ERR_COR • Bit 1: ERR_NONFATAL • Bit 2: ERR_FATAL • Bit 3: Assert_INTA and Deassert_INTA • Bit 4: Assert_INTB and Deassert_INTB • Bit 5: Assert_INTC and Deassert_INTC • Bit 6: Assert_INTD and Deassert_INTD • Bit 7: PM_PME • Bit 8: PME_TO_Ack • Bit 9: PME_Turn_Off • Bit 10: PM_Active_State_Nak • Bit 11: Set_Slot_Power_Limit • Bit 12: Latency Tolerance Reporting (LTR) • Bit 13: Optimized Buffer Flush/Fill (OBFF) • Bit 14: Unlock • Bit 15: Vendor_Defined Type 0 • Bit 16: Vendor_Defined Type 1 • Bit 17: Invalid Request, Invalid Completion, Page, Request, PRG Response 	Y
AXISTEN_IF_RQ_PARITY_CHK	1	STRING	Requestor Request Parity Check. <ul style="list-style-type: none"> • TRUE: Parity check is enabled • FALSE: Parity check is disabled 	Y

Table D-1: Virtex-7 FPGA Gen3 Integrated Block for PCI Express Core Attribute Descriptions (Cont'd)

Attribute Name	Number of Bits	Attribute Type	Attribute Description	Applicable to RP Mode?
AXISTEN_IF_CC_PARITY_CHK	1	STRING	Completer Completion Parity Check. <ul style="list-style-type: none"> • TRUE: Parity check is enabled • FALSE: Parity check is disabled 	Y
AXISTEN_IF_ENABLE_CLIENT_TAG	1	STRING	AXI4-Stream Enhanced Interface Tag management option for the RQ interface. <ul style="list-style-type: none"> • FALSE: Tags are managed by the core • TRUE: Tags are managed externally by the client 	Y
Power Management				
PM_ASPML0S_TIMEOUT	16	HEX	L0S Timeout Limit Register. Timeout value for transitioning to the L0S power state. If the transmit side has been idle for this interval, the core transmits the idle sequence on the link and transitions the state of the link to L0S. Contains the timeout value (in units of 4 ns) for transitioning to the L0S power state. Setting this attribute to 0 permanently disables the transition to the L0S power state.	Y
PM_L1_REENTRY_DELAY	32	HEX	L1 State Re-entry Delay Register. Time the core waits before it re-enters the L1 state, if its link partner transitions the link to L0 while all Functions of the core are in the D3 power state. The core changes the power state of the link from L0 to L1 if no activity is detected on both transmit and receive sides before this interval, while all Functions are in the D3 state and the link is in the L0 state. Setting this register to 0 disables re-entry to the L1 state if the link partner returns the link to L0 from L1 when all Functions of the core are in the D3 state. This register controls only the re-entry to L1. The initial transition to L1 always occurs when all Functions of the core are set to the D3 state.	Y
PM_ASPML1_ENTRY_DELAY	20	HEX	ASPM L1 Entry Timeout Delay Register. Contains the timeout value (in units of 4 ns) for transitioning to the L1 power state. Setting this register to 0 permanently disables the transition to the L1 power state.	Y
PM_ENABLE_SLOT_POWER_CAPTURE	1	STRING	When this attribute is set to TRUE and the core is configured as an Endpoint, the core captures the Slot Power Limit Value and Slot Power Limit Scale parameters from a Set_Slot_Power_Limit message received in the Device Capabilities Register. When this attribute is 0, the capture is disabled.	Y

Table D-1: Virtex-7 FPGA Gen3 Integrated Block for PCI Express Core Attribute Descriptions (Cont'd)

Attribute Name	Number of Bits	Attribute Type	Attribute Description	Applicable to RP Mode?
PM_PME_SERVICE_TIMEOUT_DELAY	20	HEX	Specifies the timeout delay for retransmission of PM_PME messages. The value is in units of microseconds.	Y
PM_PME_TURNOFF_ACK_DELAY	16	HEX	Time in microseconds between the core receiving a PME_Turn_Off message TLP and sending a PME_TO_Ack response to it. This field must be set to a non-zero value to enable the core to send the response. Setting this field to 0 suppresses the response of the core to the PME_Turn_Off message, so that you can transmit the PME_TO_Ack message through the AXI4-Stream interface.	Y
Physical Layer				
PL_UPSTREAM_FACING	1	STRING	Physical Layer Mode. TRUE specifies an upstream-facing port. FALSE specifies a downstream-facing port. This setting is propagated to all layers in the core.	Y
PL_LINK_CAP_MAX_LINK_WIDTH	4	HEX	Maximum Link Width. Valid settings are: <ul style="list-style-type: none"> • 0001b: x1 • 0010b: x2 • 0100b: x4 • 1000b: x8 All other encodings are reserved. This setting is propagated to all layers in the core.	Y
PL_LINK_CAP_MAX_LINK_SPEED	3	HEX	Maximum Link Speed. Valid settings are: <ul style="list-style-type: none"> • 001b: Gen1 (2.5 GT/s) • 010b: Gen2 (5.0 GT/s) • 100b: Gen3 (8.0 GT/s) All other encodings are reserved. This setting is propagated to all layers in the core.	Y
PL_DISABLE_GEN3_DC_BALANCE	1	STRING	Disable Gen3 DC Balance. Disables transmission of special symbols when set to TRUE.	Y
PL_DISABLE_EI_INFER_IN_L0	1	STRING	When this attribute is set to TRUE, the inferring of electrical idle in the L0 state is disabled. Electrical idle is inferred when no flow control updates and no SKP sequences are received within an interval of 128 μ s. Do not set this attribute to TRUE during normal operation. Use it for system debug.	Y
PL_N_FTS_COMCLK_GEN1	8	DECIMAL	Sets the number of FTS OS, advertised in the TS1 Ordered Sets, when the Link Configuration register shows that a common clock source is selected.	Y

Table D-1: Virtex-7 FPGA Gen3 Integrated Block for PCI Express Core Attribute Descriptions (Cont'd)

Attribute Name	Number of Bits	Attribute Type	Attribute Description	Applicable to RP Mode?
PL_N_FTS_GEN1	8	DECIMAL	Sets the number of FTS OS, advertised in the TS1 Ordered Sets, when the Link Configuration register shows that a common clock source is not selected.	Y
PL_N_FTS_COMCLK_GEN2	8	DECIMAL	Sets the number of FTS OS, advertised in the TS1 Ordered Sets, when the Link Configuration register shows that a common clock source is selected.	Y
PL_N_FTS_GEN2	8	DECIMAL	Sets the number of FTS OS, advertised in the TS1 Ordered Sets, when the Link Configuration register shows that a common clock source is not selected.	Y
PL_N_FTS_COMCLK_GEN3	8	DECIMAL	Sets the number of FTS OS, advertised in the TS1 Ordered Sets, when the Link Configuration register shows that a common clock source is selected.	Y
PL_N_FTS_GEN3	8	DECIMAL	Sets the number of FTS OS, advertised in the TS1 Ordered Sets, when the Link Configuration register shows that a common clock source is not selected.	Y
PL_DISABLE_UPCONFIG_CAPABLE	1	STRING	When set to TRUE, this attribute disables the upconfigure capability. When set to FALSE, it enables the upconfigure capability.	Y
PL_LANE0_EQ_CONTROL	16	HEX	Lane #0 Equalization Control Register. Sets the appropriate lane-specific entry in the Equalization Control Register in the Secondary PCI Express Extended Capability Header. <ul style="list-style-type: none"> • Bit [3:0]: Downstream Port Transmitter Preset • Bit [6:4]: Downstream Port Receiver Preset Hint • Bit [11:8]: Upstream Port Transmitter Preset • Bit [14:12]: Upstream Port Receiver Preset Hint 	Y

Table D-1: Virtex-7 FPGA Gen3 Integrated Block for PCI Express Core Attribute Descriptions (Cont'd)

Attribute Name	Number of Bits	Attribute Type	Attribute Description	Applicable to RP Mode?
PL_LANE1_EQ_CONTROL	16	HEX	Lane #1 Equalization Control Register. Sets the appropriate lane-specific entry in the Equalization Control Register in the Secondary PCI Express Extended Capability Header. <ul style="list-style-type: none"> • Bit [3:0]: Downstream Port Transmitter Preset • Bit [6:4]: Downstream Port Receiver Preset Hint • Bit [11:8]: Upstream Port Transmitter Preset • Bit [14:12]: Upstream Port Receiver Preset Hint 	Y
PL_LANE2_EQ_CONTROL	16	HEX	Lane #2 Equalization Control Register. Sets the appropriate lane-specific entry in the Equalization Control Register in the Secondary PCI Express Extended Capability Header. <ul style="list-style-type: none"> • Bit [3:0]: Downstream Port Transmitter Preset • Bit [6:4]: Downstream Port Receiver Preset Hint • Bit [11:8]: Upstream Port Transmitter Preset • Bit [14:12]: Upstream Port Receiver Preset Hint 	Y
PL_LANE3_EQ_CONTROL	16	HEX	Lane #3 Equalization Control Register. Sets the appropriate lane-specific entry in the Equalization Control Register in the Secondary PCI Express Extended Capability Header. <ul style="list-style-type: none"> • Bit [3:0]: Downstream Port Transmitter Preset • Bit [6:4]: Downstream Port Receiver Preset Hint • Bit [11:8]: Upstream Port Transmitter Preset • Bit [14:12]: Upstream Port Receiver Preset Hint 	Y

Table D-1: Virtex-7 FPGA Gen3 Integrated Block for PCI Express Core Attribute Descriptions (Cont'd)

Attribute Name	Number of Bits	Attribute Type	Attribute Description	Applicable to RP Mode?
PL_LANE4_EQ_CONTROL	16	HEX	Lane #4 Equalization Control Register. Sets the appropriate lane-specific entry in the Equalization Control Register in the Secondary PCI Express Extended Capability Header. <ul style="list-style-type: none"> • Bit [3:0]: Downstream Port Transmitter Preset • Bit [6:4]: Downstream Port Receiver Preset Hint • Bit [11:8]: Upstream Port Transmitter Preset • Bit [14:12]: Upstream Port Receiver Preset Hint 	Y
PL_LANE5_EQ_CONTROL	16	HEX	Lane #5 Equalization Control Register. Sets the appropriate lane-specific entry in the Equalization Control Register in the Secondary PCI Express Extended Capability Header. <ul style="list-style-type: none"> • Bit [3:0]: Downstream Port Transmitter Preset • Bit [6:4]: Downstream Port Receiver Preset Hint • Bit [11:8]: Upstream Port Transmitter Preset • Bit [14:12]: Upstream Port Receiver Preset Hint 	Y
PL_LANE6_EQ_CONTROL	16	HEX	Lane #6 Equalization Control Register. Sets the appropriate lane-specific entry in the Equalization Control Register in the Secondary PCI Express Extended Capability Header. <ul style="list-style-type: none"> • Bit [3:0]: Downstream Port Transmitter Preset • Bit [6:4]: Downstream Port Receiver Preset Hint • Bit [11:8]: Upstream Port Transmitter Preset • Bit [14:12]: Upstream Port Receiver Preset Hint 	Y

Table D-1: Virtex-7 FPGA Gen3 Integrated Block for PCI Express Core Attribute Descriptions (Cont'd)

Attribute Name	Number of Bits	Attribute Type	Attribute Description	Applicable to RP Mode?
PL_LANE7_EQ_CONTROL	16	HEX	Lane #7 Equalization Control Register. Sets the appropriate lane-specific entry in the Equalization Control Register in the Secondary PCI Express Extended Capability Header. <ul style="list-style-type: none"> • Bit [3:0]: Downstream Port Transmitter Preset • Bit [6:4]: Downstream Port Receiver Preset Hint • Bit [11:8]: Upstream Port Transmitter Preset • Bit [14:12]: Upstream Port Receiver Preset Hint 	Y
PL_EQ_BYPASS_PHASE23	1	STRING	Bypass Equalization Phases 2 and 3. When this attribute is TRUE and PL_UPSTREAM_FACING is FALSE, optional EQ Phases are bypassed.	Y
PL_EQ_ADAPT_ITER_COUNT	5	HEX	Link Partner Transmitter Adaptive Equalization Iteration Count. When in EQ Phase 2 for EP and Phase 3 for RP, this attribute contains the maximum number of iterations of Adaptive Equalization attempted before the Recovery.EQ phase is exited. The supported range is 2–31.	Y
PL_EQ_ADAPT_REJECT_RETRY_COUNT	2	HEX	Equalization Adaptation Proposal Rejection Retry Count. This attribute contains the number of times new remote transmitter coefficients are proposed after being continuously rejected by the link partner, per lane. The supported range is 0–3.	Y
PL_EQ_SHORT_ADAPT_PHASE	1	STRING	Shorten the Receive Adaptation Phase. When this attribute is set to TRUE, EQ Phase 2 for EP and Phase 3 for RP return the received TX Preset OR Coefficients as the new proposed settings. This attribute can be used for simulation speed-up and debug purposes.	Y
PL_EQ_ADAPT_DISABLE_COEFF_CHECK	1	STRING	Disable checks on Received Coefficients. When this attribute is set to TRUE, received coefficient checking is disabled (no rejection) during EQ Phase 3 for EP and EQ Phase 2 for RP.	Y
PL_EQ_ADAPT_DISABLE_PRESET_CHECK	1	STRING	Disable checks on Received Presets. When this attribute is set to TRUE, received preset checking is disabled (no rejection) during EQ Phase 3 for EP and EQ Phase 2 for RP.	Y

Table D-1: Virtex-7 FPGA Gen3 Integrated Block for PCI Express Core Attribute Descriptions (Cont'd)

Attribute Name	Number of Bits	Attribute Type	Attribute Description	Applicable to RP Mode?
PL_SIM_FAST_LINK_TRAINING	1	STRING	When this attribute is set to TRUE, the link training time is shortened to facilitate fast simulation of the design, especially at the gate level. Enabling this attribute has these effects: <ul style="list-style-type: none"> The 1 ms, 2 ms, 12 ms, 24 ms, 32 ms, and 48 ms timeout intervals in the LTSSM are shortened by a factor of 500. In the Polling.Active state of the LTSSM, only 16 training sequences are required to be transmitted (instead of 1024) to make the transition to the Configuration state. This must be set to FALSE for non-simulation use. 	Y
Link Layer				
LL_ACK_TIMEOUT_EN	1	STRING	When this attribute is TRUE, the Ack/Nak Latency Timer is enabled to use the user-defined LL_ACK_TIMEOUT value (or combined with the built-in value, depending on LL_ACK_TIMEOUT_FUNC). When this attribute is FALSE, the built-in value is used.	Y
LL_ACK_TIMEOUT	9	HEX	Sets a user-defined timeout for the Ack/Nak Latency Timer to force any pending ACK or NAK DLLPs to be transmitted. Refer to LL_ACK_TIMEOUT_EN and LL_ACK_TIMEOUT_FUNC to see how this value is used. The units for this attribute are in symbol times, which is 4 ns at Gen1 speeds (2.5 GT/s) and 2 ns at Gen2. speeds (5.0 GT/s).	Y
LL_ACK_TIMEOUT_FUNC	2	DECIMAL	Defines how LL_ACK_TIMEOUT is to be used, if enabled with LL_ACK_TIMEOUT_EN (otherwise, this attribute is not used). <ul style="list-style-type: none"> 0: No effect 1: Add LL_ACK_TIMEOUT to the built-in table value. 2: Subtract LL_ACK_TIMEOUT from the built-in table value. The LL_ACK_TIMEOUT value should follow these rules for any Width at Gen1/2/3 speeds: <ul style="list-style-type: none"> if and only if $MPS > 512B$: the allowed Range is $1 \leq RANGE \leq 64d$ if and only if $MPS \leq 512B$: the allowed Range is $1 \leq RANGE \leq 32d$ 	Y

Table D-1: Virtex-7 FPGA Gen3 Integrated Block for PCI Express Core Attribute Descriptions (Cont'd)

Attribute Name	Number of Bits	Attribute Type	Attribute Description	Applicable to RP Mode?
LL_REPLAY_TIMEOUT_EN	1	STRING	When this attribute is TRUE, the Replay Timer is enabled to use the user-defined LL_REPLAY_TIMEOUT value (or combined with the built-in value, depending on LL_REPLAY_TIMEOUT_FUNC). When this attribute is FALSE, the built-in value is used.	Y
LL_REPLAY_TIMEOUT	9	HEX	Sets a user-defined timeout for the Replay Timer to force cause the retransmission of unacknowledged TLPs. See LL_REPLAY_TIMEOUT_EN and LL_REPLAY_TIMEOUT_FUNC to see how this value is used. The unit for this attribute is in symbol times, which is 4 ns at Gen1 speeds (2.5 GT/s) and 2 ns at Gen2 speeds (5.0 GT/s).	Y
LL_REPLAY_TIMEOUT_FUNC	2	DECIMAL	Defines how to use LL_REPLAY_TIMEOUT, if enabled with LL_REPLAY_TIMEOUT_EN (otherwise, this attribute is not used). <ul style="list-style-type: none"> • 0: No effect • 1: Add LL_REPLAY_TIMEOUT to the built-in table value. • 2: Subtract LL_REPLAY_TIMEOUT from the built-in table value. The LL_REPLAY_TIMEOUT value should follow these rules for any Width at Gen1/2/3 speeds: <ul style="list-style-type: none"> ◦ if and only if MPS > 512B: The allowed Range is $1 \leq \text{RANGE} \leq 64d$ ◦ if and only if MPS $\leq 512B$: the allowed Range is $1 \leq \text{RANGE} \leq 32d$ 	Y
Transaction Layer				
TL_PF_ENABLE_REG	1	STRING	Function #1 Enable. Function #1 is enabled when this attribute is set to TRUE.	Y
TL_CREDITS_CD	12	HEX	Receiver Credit Limit for Completion Data. Units are credits. Supported values are: <ul style="list-style-type: none"> • 3E0h: 15,872 bytes • 1F0h: 7,936 bytes • 000h: Infinite Must be set to 000h when PL_UPSTREAM_FACING is TRUE.	Y
TL_CREDITS_CH	8	HEX	Receiver Credit Limit for Completion Header. Units are number of TLPs. Supported values are: <ul style="list-style-type: none"> • 20h: 32 TLPs • 00h: Infinite credits Must be set to 00h when PL_UPSTREAM_FACING is TRUE.	Y

Table D-1: Virtex-7 FPGA Gen3 Integrated Block for PCI Express Core Attribute Descriptions (Cont'd)

Attribute Name	Number of Bits	Attribute Type	Attribute Description	Applicable to RP Mode?
TL_CREDITS_NPD	12	HEX	Credit Limit for Non Posted Data. Units are credits. Supported values are: <ul style="list-style-type: none"> • 28h: 640 bytes 	Y
TL_CREDITS_NPH	8	HEX	Receiver Credit Limit for Non-Posted Header. Units are number of TLPs. Supported values are: <ul style="list-style-type: none"> • 20h: 32 TLPs 	Y
TL_CREDITS_PD	12	HEX	Receiver Credit Limit for Posted Data. Units are credits. Supported values are: <ul style="list-style-type: none"> • 198h: 6,528 bytes • cCh: 3,264 bytes 	Y
TL_CREDITS_PH	8	HEX	Receiver Credit Limit for Posted Header. Units are number of TLPs. Supported values are: <ul style="list-style-type: none"> • 20h: 32 TLPs 	Y
TL_COMPL_TIMEOUT_REG0	24	HEX	Completion Timeout Limit Register #0. This register contains the timeout value used to detect a completion timeout event for a Request originated by the core from its AXI4-Stream master interface, when sub-range 1 (value 0101) is programmed in the Device Control 2 Register. The valid range for this parameter is 16 ms to 55 ms, which can be specified in units of 4 ns cycles. For example, the value of 12,500,000 in this parameter corresponds to 50 ms (12,500,000 * 4 ns).	Y
TL_COMPL_TIMEOUT_REG1	28	HEX	Completion Timeout Limit Register 1. This register contains the timeout value used to detect a completion timeout event for a Request originated by the core from its AXI4-Stream master interface, when sub-range 2 (value 0110) is programmed in the Device Control 2 register. The valid range for this parameter is 65 ms to 210ms, which can be specified in units of 4 ns cycles. For example, the value of 25,000,000 in this parameter corresponds to 100 ms (25,000,000 * 4 ns).	Y
TL_LEGACY_MODE_ENABLE	1	STRING	Enable Legacy Endpoint Mode. When this attribute and PL_UPSTREAM_FACING are TRUE, the core is configured as a Legacy Endpoint, where it forwards Locked Transactions through the AXI4-Stream target interface, and generates Locked Completions in response to them. If this attribute is TRUE and PL_UPSTREAM_FACING is FALSE, you can generate Locked Read Transactions as a Master. When this attribute is FALSE, the core is configured as a PCIe Endpoint.	Y

Table D-1: Virtex-7 FPGA Gen3 Integrated Block for PCI Express Core Attribute Descriptions (Cont'd)

Attribute Name	Number of Bits	Attribute Type	Attribute Description	Applicable to RP Mode?
TL_ENABLE_MESSAGE_RID_CHECK_ENABLE	1	STRING	<p>Enable Requestor ID Checking of Received TLPs. When this attribute is set to TRUE, the core checks the requestor ID (RID) of the incoming Message TLPs that are routed by ID, against the RIDs of its enabled Functions. Messages with an RID mismatch are handled as Unsupported Requests and discarded within the core.</p> <p>When this attribute is FALSE, the core does not check the RIDs of received Message TLPs and forwards them to the AXISTEN interface. This attribute is applicable only when the core is configured as an Endpoint.</p>	Y
TL_LEGACY_CFG_EXTEND_INTERFACE_ENABLE	1	STRING	<p>Configuration Legacy Space Extend Interface Enable. When this attribute is TRUE, all received Configuration Type0 Transactions in the register address range 0x10-0x1f for every enabled function, are steered to the CFGEXT interface.</p>	N
TL_EXTENDED_CFG_EXTEND_INTERFACE_ENABLE	1	STRING	<p>Configuration Extended Space Extend Interface Enable. When this attribute is TRUE, all received Configuration Type0 Transactions in the register address range 0x100-0x3ff for every enabled function are steered to the CFGEXT interface.</p>	N
Legacy PCI Header				
PFX_DEVICE_ID	16	HEX	Device ID. Individual Device IDs for each physical function (PF).	Y
PFX_REVISION_ID	8	HEX	Revision ID. Individual Revision IDs for each PF and associated virtual functions (VFs).	Y
PFX_CLASS_CODE	24	HEX	Class Code. Code identifying basic function, subclass, and applicable programming interface. This value is transferred to the Class Code, Sub-Class Code, and Programming Interface. VFs must return the same Class Code as the corresponding PF.	Y
PFX_SUBSYSTEM_ID	16	HEX	Subsystem ID. Individual Subsystem ID for each PF and associated VFs.	Y
PFX_INTERRUPT_PIN	3	HEX	Interrupt Pin Register. This attribute indicates the mapping for legacy Interrupt Messages. Valid values are 1 INTA, 2 INTB, 3 INTC, 4 INTD. Zero indicates no legacy interrupt messages used. This attribute does not apply to VFs.	Y

Table D-1: Virtex-7 FPGA Gen3 Integrated Block for PCI Express Core Attribute Descriptions (Cont'd)

Attribute Name	Number of Bits	Attribute Type	Attribute Description	Applicable to RP Mode?
PFx_INTERRUPT_LINE	8	HEX	<p>Interrupt Line Register. This attribute identifies the IRQx input of the interrupt controller at the Root Complex that is activated by this Function interrupt.</p> <ul style="list-style-type: none"> • 00h: IRQ0 • ... • 0Fh: IRQ15 • FFh: Unknown or not connected <p>This attribute does not apply to VFs.</p>	Y
PFx_BIST_REGISTER	8	HEX	<p>BIST Control Register. Sets the 8 bits in the BIST register. This attribute does not apply to VFs.</p>	Y
PFx_CAPABILITY_POINTER	8	HEX	<p>Capability Pointer. Next capability pointer at 34h in each PF.</p>	Y
VF0_CAPABILITY_POINTER	8	HEX	<p>Capability Pointer. Next capability pointer at 34h in VF0.</p>	N
BARs				
PFx_BAR0_CONTROL	3	HEX	<p>BAR0 Control. Specifies the configuration of BAR 0. The encodings are:</p> <ul style="list-style-type: none"> • 000: Disabled • 001: 32-bit I/O BAR • 010–011: Reserved • 100: 32-bit memory BAR, non-prefetchable • 101: 32-bit memory BAR, prefetchable • 110: Part of 64-bit memory BAR 0-1, non-prefetchable • 111: Part of 64-bit memory BAR 0-1, prefetchable 	Y

Table D-1: Virtex-7 FPGA Gen3 Integrated Block for PCI Express Core Attribute Descriptions (Cont'd)

Attribute Name	Number of Bits	Attribute Type	Attribute Description	Applicable to RP Mode?
PFx_BAR0_APERTURE_SIZE	5	HEX	<p>BAR0 Aperture. This attribute specifies the aperture of the 32-bit BAR 0 or 64-bit BAR 0-1.</p> <p>For Endpoints, the encodings are:</p> <ul style="list-style-type: none"> • 00000: 128 bytes • 00001: 256 bytes • 00010: 512 bytes • 00011: 1 Kbytes • 00100: 2 Kbytes • 00101: 4 Kbytes • 00110: 8 Kbytes • 00111: 16 Kbytes • 01000: 32 Kbytes • 01001: 64 Kbytes • 01010: 128 Kbytes • 01011: 256 Kbytes • 01100: 512 Kbytes • 01101: 1 Mbytes • 01110: 2 Mbytes • 01111: 4 Mbytes • 10000: 8 Mbytes • 10001: 16 Mbytes • 10010: 32 Mbytes • 10011: 64 Mbytes • 10100: 128 Mbytes • 10101: 256 Mbytes • 10110: 512 Mbytes • 10111: 1 Gbytes • 11000: 2 Gbytes • 11001: 4 Gbytes • 11010: 8 Gbytes • 11011: 16 Gbytes • 11100: 32 Gbytes • 11101: 64 Gbytes • 11110: 128 Gbytes • 11111: 256 Gbytes 	Y

Table D-1: Virtex-7 FPGA Gen3 Integrated Block for PCI Express Core Attribute Descriptions (Cont'd)

Attribute Name	Number of Bits	Attribute Type	Attribute Description	Applicable to RP Mode?
PFx_BAR0_APERTURE_SIZE (Continued)	5	HEX	<p>For Root Ports, the encodings are:</p> <ul style="list-style-type: none"> • 0000: 4 bytes • 00001: 8 bytes • 00010: 16 bytes • 00011: 32 bytes • 00100: 84 bytes • 00101: 128 bytes • 00110: 256 bytes • 00111: 512 bytes • 01000: 1 Kbytes • 01001: 2 Kbytes • 01010: 4 Kbytes • 01011: 8 Kbytes • 01100: 16 Kbytes • 01101: 32 Kbytes • 01110: 64 Kbytes • 01111: 128 Kbytes • 10000: 256 Kbytes • 10001: 512 Kbytes • 10010: 1 Mbytes • 10011: 2 Mbytes • 10100: 4 Mbytes • 10101: 8 Mbytes • 10110: 16 Mbytes • 10111: 32 Mbytes • 11000: 64 Mbytes • 11001: 128 Mbytes • 11010: 256 Mbytes • 11011: 512 Mbytes • 11100: 1 Gbytes • 11101: 2 Gbytes • 11110: 4 Gbytes • 11111: 8 Gbytes 	Y
PFx_BAR1_CONTROL	3	HEX	<p>BAR1 Control. Specifies the configuration of BAR 1 when it is configured as a 32-bit BAR. The encodings are:</p> <ul style="list-style-type: none"> • 000: Disabled • 001: 32-bit I/O BAR • 010–011: Reserved • 100: 32-bit memory BAR, non-prefetchable • 101: 32-bit memory BAR, prefetchable 	Y

Table D-1: Virtex-7 FPGA Gen3 Integrated Block for PCI Express Core Attribute Descriptions (Cont'd)

Attribute Name	Number of Bits	Attribute Type	Attribute Description	Applicable to RP Mode?
PFx_BAR1_APERTURE_SIZE	5	HEX	<p>BAR1 Aperture. This attribute specifies the aperture of BAR 1 when it is configured as a 32-bit BAR.</p> <p>For Endpoints, the valid encodings are:</p> <ul style="list-style-type: none"> • 00000: 128 bytes • 00001: 256 bytes • 00010: 512 bytes • 00011: 1 Kbytes • 00100: 2 Kbytes • 00101: 4 Kbytes • 00110: 8 Kbytes • 00111: 16 Kbytes • 01000: 32 Kbytes • 01001: 64 Kbytes • 01010: 128 Kbytes • 01011: 256 Kbytes • 01100: 512 Kbytes • 01101: 1 Mbytes • 01110: 2 Mbytes • 01111: 4 Mbytes • 10000: 8 Mbytes • 10001: 16 Mbytes • 10010: 32 Mbytes • 10011: 64 Mbytes • 10100: 128 Mbytes • 10101: 256 Mbytes • 10110: 512 Mbytes • 10111: 1 Gbytes • 11000: 2 Gbytes 	Y

Table D-1: Virtex-7 FPGA Gen3 Integrated Block for PCI Express Core Attribute Descriptions (Cont'd)

Attribute Name	Number of Bits	Attribute Type	Attribute Description	Applicable to RP Mode?
PFx_BAR1_APERTURE_SIZE (Continued)	5	HEX	<p>For Root Ports, the valid encodings are:</p> <ul style="list-style-type: none"> • 0000: 4 bytes • 00001: 8 bytes • 00010: 16 bytes • 00011: 32 bytes • 00100: 64 bytes • 00101: 128 bytes • 00110: 256 bytes • 00111: 512 bytes • 01000: 1 Kbytes • 01001: 2 Kbytes • 01010: 4 Kbytes • 01011: 8 Kbytes • 01100: 16 Kbytes • 01101: 32 Kbytes • 01110: 64 Kbytes • 01111: 128 Kbytes • 10000: 256 Kbytes • 10001: 512 Kbytes • 10010: 1 Mbytes • 10011: 2 Mbytes • 10100: 4 Mbytes • 10101: 8 Mbytes • 10110: 16 Mbytes • 10111: 32 Mbytes • 11000: 64 Mbytes • 11001: 128 Mbytes • 11010: 256 Mbytes • 11011: 512 Mbytes • 11100: 1 Gbytes • 11101: 2 Gbytes 	Y
PFx_BAR2_CONTROL	3	HEX	<p>BAR2 Control. Specifies the configuration of BAR 2. The encodings are:</p> <ul style="list-style-type: none"> • 000: Disabled • 001: 32-bit I/O BAR • 010-011: Reserved • 100: 32-bit memory BAR, non-prefetchable • 101: 32-bit memory BAR, prefetchable • 110: Part of 64-bit memory BAR 2-3, non-prefetchable • 111: Part of 64-bit memory BAR 2-3, prefetchable 	N

Table D-1: Virtex-7 FPGA Gen3 Integrated Block for PCI Express Core Attribute Descriptions (Cont'd)

Attribute Name	Number of Bits	Attribute Type	Attribute Description	Applicable to RP Mode?
PFx_BAR2_APERTURE_SIZE	5	HEX	<p>BAR2 Aperture. Specifies the aperture of the 32-bit BAR 2 or 64-bit BAR2–3. The encodings are:</p> <ul style="list-style-type: none"> • 00000: 128 bytes • 00001: 256 bytes • 00010: 512 bytes • 00011: 1 Kbytes • 00100: 2 Kbytes • 00101: 4 Kbytes • 00110: 8 Kbytes • 00111: 16 Kbytes • 01000: 32 Kbytes • 01001: 64 Kbytes • 01010: 128 Kbytes • 01011: 256 Kbytes • 01100: 512 Kbytes • 01101: 1 Mbytes • 01110: 2 Mbytes • 01111: 4 Mbytes • 10000: 8 Mbytes • 10001: 16 Mbytes • 10010: 32 Mbytes • 10011: 64 Mbytes • 10100: 128 Mbytes • 10101: 256 Mbytes • 10110: 512 Mbytes • 10111: 1 Gbytes • 11000: 2 Gbytes • 11001: 4 Gbytes • 11010: 8 Gbytes • 11011: 16 Gbytes • 11100: 32 Gbytes • 11101: 64 Gbytes • 11110: 128 Gbytes • 11111: 256 Gbytes 	N
PFx_BAR3_CONTROL	3	HEX	<p>BAR3 Control. Specifies the configuration of BAR 3 when it is configured as a 32-bit BAR. The encodings are:</p> <ul style="list-style-type: none"> • 000: Disabled • 001: 32-bit I/O BAR • 010–011: Reserved • 100: 32-bit memory BAR, non-prefetchable • 101: 32-bit memory BAR, prefetchable 	N

Table D-1: Virtex-7 FPGA Gen3 Integrated Block for PCI Express Core Attribute Descriptions (Cont'd)

Attribute Name	Number of Bits	Attribute Type	Attribute Description	Applicable to RP Mode?
PFx_BAR3_APERTURE_SIZE	5	HEX	BAR3 Aperture. Specifies the aperture of BAR 3 when it is configured as a 32-bit BAR. The valid encodings are: <ul style="list-style-type: none"> • 00000: 128 bytes • 00001: 256 bytes • 00010: 512 bytes • 00011: 1 Kbytes • 00100: 2 Kbytes • 00101: 4 Kbytes • 00110: 8 Kbytes • 00111: 16 Kbytes • 01000: 32 Kbytes • 01001: 64 Kbytes • 01010: 128 Kbytes • 01011: 256 Kbytes • 01100: 512 Kbytes • 01101: 1 Mbytes • 01110: 2 Mbytes • 01111: 4 Mbytes • 10000: 8 Mbytes • 10001: 16 Mbytes • 10010: 32 Mbytes • 10011: 64 Mbytes • 10100: 128 Mbytes • 10101: 256 Mbytes • 10110: 512 Mbytes • 10111: 1 Gbytes • 11000: 2 Gbytes 	N
PFx_BAR4_CONTROL	3	HEX	BAR4 Control. Specifies the configuration of BAR 4. The encodings are: <ul style="list-style-type: none"> • 000: Disabled • 001: 32-bit I/O BAR • 010–011: Reserved • 100: 32-bit memory BAR, non-prefetchable • 101: 32-bit memory BAR, prefetchable • 110: Part of 64-bit memory BAR 4-5, non-prefetchable • 111: Part of 64-bit memory BAR 4-5, prefetchable 	N

Table D-1: Virtex-7 FPGA Gen3 Integrated Block for PCI Express Core Attribute Descriptions (Cont'd)

Attribute Name	Number of Bits	Attribute Type	Attribute Description	Applicable to RP Mode?
PfX_BAR4_APERTURE_SIZE	5	HEX	<p>BAR4 Aperture. Specifies the aperture of the 32-bit BAR 4 or 64-bit BAR4-5. The encodings are:</p> <ul style="list-style-type: none"> • 00000: 128 bytes • 00001: 256 bytes • 00010: 512 bytes • 00011: 1 Kbytes • 00100: 2 Kbytes • 00101: 4 Kbytes • 00110: 8 Kbytes • 00111: 16 Kbytes • 01000: 32 Kbytes • 01001: 64 Kbytes • 01010: 128 Kbytes • 01011: 256 Kbytes • 01100: 512 Kbytes • 01101: 1 Mbytes • 01110: 2 Mbytes • 01111: 4 Mbytes • 10000: 8 Mbytes • 10001: 16 Mbytes • 10010: 32 Mbytes • 10011: 64 Mbytes • 10100: 128 Mbytes • 10101: 256 Mbytes • 10110: 512 Mbytes • 10111: 1 Gbytes • 11000: 2 Gbytes • 11001: 4 Gbytes • 11010: 8 Gbytes • 11011: 16 Gbytes • 11100: 32 Gbytes • 11101: 64 Gbytes • 11110: 128 Gbytes • 11111: 256 Gbytes 	N
PfX_BAR5_CONTROL	3	HEX	<p>BAR5 Control: Specifies the configuration of BAR 3 when it is configured as a 32-bit BAR. The encodings are:</p> <ul style="list-style-type: none"> • 000: Disabled • 001: 32-bit I/O BAR • 010–011: Reserved • 100: 32-bit memory BAR, non-prefetchable • 101: 32-bit memory BAR, prefetchable 	N

Table D-1: Virtex-7 FPGA Gen3 Integrated Block for PCI Express Core Attribute Descriptions (Cont'd)

Attribute Name	Number of Bits	Attribute Type	Attribute Description	Applicable to RP Mode?
PFx_BAR5_APERTURE_SIZE	5	HEX	BAR5 Aperture. Specifies the aperture of BAR 5 when it is configured as a 32-bit BAR. The valid encodings are: <ul style="list-style-type: none"> • 00000: 128 bytes • 00001: 256 bytes • 00010: 512 bytes • 00011: 1 Kbytes • 00100: 2 Kbytes • 00101: 4 Kbytes • 00110: 8 Kbytes • 00111: 16 Kbytes • 01000: 32 Kbytes • 01001: 64 Kbytes • 01010: 128 Kbytes • 01011: 256 Kbytes • 01100: 512 Kbytes • 01101: 1 Mbytes • 01110: 2 Mbytes • 01111: 4 Mbytes • 10000: 8 Mbytes • 10001: 16 Mbytes • 10010: 32 Mbytes • 10011: 64 Mbytes • 10100: 128 Mbytes • 10101: 256 Mbytes • 10110: 512 Mbytes • 10111: 1 Gbytes • 11000: 2 Gbytes 	N
PFx_EXPANSION_ROM_ENABLE	1	STRING	PFx Expansion ROM BAR Enable. This bit must be set to enable the Expansion ROM BAR associated with the Function.	Y

Table D-1: Virtex-7 FPGA Gen3 Integrated Block for PCI Express Core Attribute Descriptions (Cont'd)

Attribute Name	Number of Bits	Attribute Type	Attribute Description	Applicable to RP Mode?
PFx_EXPANSION_ROM_APERTURE_SIZE	5	HEX	PFX Expansion ROM BAR Aperture Size. Encoding is as follows: <ul style="list-style-type: none"> • 00000–00001: 256B • 00010: 512 B • 00011: 1 KB • 00100: 2 KB • 00101: 4 KB • 00110: 8 KB • 00111: 16 KB • 01000: 32 KB • 01001: 64 KB • 01010: 128 KB • 01011: 256 KB • 01100: 512 KB • 01101: 1 MB • 01110: 2 MB • 01111: 4 MB • 10000: 8 MB • 10001: 16 MB • 10010–11111: Reserved 	Y
PCI Express Capability				
PFx_DEV_CAP_MAX_PAYLOAD_SIZE	3	HEX	Capability Max Payload Size. This field indicates the maximum payload size that the Function can support for TLPs. Encodings are: <ul style="list-style-type: none"> • 000b: 128-byte maximum payload size • 001b: 256-byte maximum payload size • 010b: 512-byte maximum payload size • 011b: 1024-byte maximum payload size 	Y
PF0_DEV_CAP_EXT_TAG_SUPPORTED	1	STRING	Extended Tags support. <ul style="list-style-type: none"> • FALSE: 5-bit tag • TRUE: 6-bit tag 	Y

Table D-1: Virtex-7 FPGA Gen3 Integrated Block for PCI Express Core Attribute Descriptions (Cont'd)

Attribute Name	Number of Bits	Attribute Type	Attribute Description	Applicable to RP Mode?
PF0_DEV_CAP_ENDPOINT_L0S_LATENCY	3	DECIMAL	Endpoint L0s Acceptable Latency. Records the latency the Endpoint can withstand on transitions from the L0s state to L0. Valid settings are: <ul style="list-style-type: none"> • 0h: Less than 64 ns • 1h: 64 ns to 128 ns • 2h: 128 ns to 256 ns • 3h: 256 ns to 512 ns • 4h: 512 ns to 1 μs • 5h: 1 μs to 2 μs • 6h: 2 μs to 4 μs • 7h: More than 4 μs For Endpoints only. Must be 0h for other devices.	Y
PF0_DEV_CAP_ENDPOINT_L1_LATENCY	3	DECIMAL	Endpoint L1 Acceptable Latency. Records the latency that the Endpoint can withstand on transitions from the L1 state to L0 (if the L1 state is supported). Valid settings are: <ul style="list-style-type: none"> • 0h: Less than 1 μs • 1h: 1 μs to 2 μs • 2h: 2 μs to 4 μs • 3h: 4 μs to 8 μs • 4h: 8 μs to 16 μs • 5h: 16 μs to 32 μs • 6h: 32 μs to 64 μs • 7h: Greater than 64 μs For Endpoints only. Must be 0h for other devices.	Y
PF0_DEV_CAP_FUNCTION_LEVEL_RESET_CAPABLE	1	STRING	Function Level Reset. Set to TRUE when the device has Function-Level Reset capability.	
PF0_LINK_CAP_ASPM_SUPPORT	2	DECIMAL	Active State PM Support. Indicates the level of active state power management supported by the selected PCI Express Link, encoded as follows: <ul style="list-style-type: none"> • 00b: No ASPM • 01b: L0s supported • 10b: L1 supported • 11b: L0s and L1 entry supported. 	Y
PF0_LINK_STATUS_SLOT_CLOCK_CONFIG	1	STRING	Slot Clock Configuration. Set to TRUE if the device uses a clock provided on the slot connector; otherwise set to FALSE if the device uses an independent clock irrespective of the presence of a reference on the connector.	Y

Table D-1: Virtex-7 FPGA Gen3 Integrated Block for PCI Express Core Attribute Descriptions (Cont'd)

Attribute Name	Number of Bits	Attribute Type	Attribute Description	Applicable to RP Mode?
PF0_LINK_CAP_L0S_EXIT_LATENCY_COMCLK_GEN1	3	DECIMAL	Sets the exit latency from the L0s state to be applied (at 2.5 GT/s) when a common clock is used. The latency is transferred to the Link Capabilities register.	Y
PF0_LINK_CAP_L0S_EXIT_LATENCY_COMCLK_GEN2	3	DECIMAL	Sets the exit latency from the L0s state to be applied (at 5 GT/s) when a common clock is used. The latency is transferred to the Link Capabilities register.	Y
PF0_LINK_CAP_L0S_EXIT_LATENCY_COMCLK_GEN3	3	DECIMAL	Sets the exit latency from the L0s state to be applied (at 8 GT/s) when a common clock is used. The latency is transferred to the Link Capabilities register.	Y
PF0_LINK_CAP_L0S_EXIT_LATENCY_GEN1	3	DECIMAL	Sets the exit latency from the L0s state to be applied (at 2.5 GT/s) when separate clocks are used. The latency is transferred to the Link Capabilities register.	Y
PF0_LINK_CAP_L0S_EXIT_LATENCY_GEN2	3	DECIMAL	Sets the exit latency from the L0s state to be applied (at 5 GT/s) when separate clocks are used. The latency is transferred to the Link Capabilities register.	Y
PF0_LINK_CAP_L0S_EXIT_LATENCY_GEN3	3	DECIMAL	Sets the exit latency from the L0s state to be applied (at 8 GT/s) when separate clocks are used. The latency is transferred to the Link Capabilities register.	Y
PF0_LINK_CAP_L1_EXIT_LATENCY_COMCLK_GEN1	3	DECIMAL	Sets the exit latency from the L1 state to be applied (at 2.5 GT/s) when a common clock is used. The latency is transferred to the Link Capabilities register.	Y
PF0_LINK_CAP_L1_EXIT_LATENCY_COMCLK_GEN2	3	DECIMAL	Sets the exit latency from the L1 state to be applied (at 5 GT/s) when a common clock is used. The latency is transferred to the Link Capabilities register.	Y
PF0_LINK_CAP_L1_EXIT_LATENCY_COMCLK_GEN3	3	DECIMAL	Sets the exit latency from the L1 state to be applied (at 8 GT/s) when a common clock is used. The latency is transferred to the Link Capabilities register.	Y
PF0_LINK_CAP_L1_EXIT_LATENCY_GEN1	3	DECIMAL	Sets the exit latency from the L1 state to be applied (at 2.5 GT/s) when separate clocks are used. The latency is transferred to the Link Capabilities register.	Y
PF0_LINK_CAP_L1_EXIT_LATENCY_GEN2	3	DECIMAL	Sets the exit latency from the L1 state to be applied (at 5 GT/s) when separate clocks are used. The latency is transferred to the Link Capabilities register.	Y

Table D-1: Virtex-7 FPGA Gen3 Integrated Block for PCI Express Core Attribute Descriptions (Cont'd)

Attribute Name	Number of Bits	Attribute Type	Attribute Description	Applicable to RP Mode?
PF0_LINK_CAP_L1_EXIT_LATENCY_GEN3	3	DECIMAL	Sets the exit latency from the L1 state to be applied (at 8 GT/s) where separate clocks are used. The latency is transferred to the Link Capabilities register.	Y
PF0_DEV_CAP2_CPL_TIMEOUT_DISABLE	1	STRING	Completion Timeout Disable Capable. When this attribute is set to TRUE, bit 4 is set to indicate that the associated Function supports the capability to turn off its Completion timeout. This attribute should be set to FALSE under normal operating conditions.	Y
PF0_DEV_CAP2_32B_ATOMIC_COMPLETER_SUPPORT	1	STRING	32-bit AtomicOp Completer Supported. When this attribute is set to TRUE, bit 7 is set to include FetchAdd, Swap, and CAS AtomicOps optional capabilities.	Y
PF0_DEV_CAP2_64B_ATOMIC_COMPLETER_SUPPORT	1	STRING	64-bit AtomicOp Completer Supported. When this attribute is set to TRUE, bit 8 is set to include FetchAdd, Swap, and CAS AtomicOps optional capabilities.	Y
PF0_DEV_CAP2_128B_CAS_ATOMIC_COMPLETER_SUPPORT	1	STRING	128-bit CAS Completer Supported. When this attribute is set to TRUE, bit 9 is set to enable optional capabilities.	Y
PF0_DEV_CAP2_LTR_SUPPORT	1	STRING	LTR Mechanism Supported. When this attribute is set to TRUE, bit 11 is set to indicate support for the optional Latency Tolerance Reporting (LTR) mechanism.	Y
PF0_DEV_CAP2_TPH_COMPLETER_SUPPORT	1	STRING	TPH Completer Supported. This attribute sets bit 12 to indicate Completer support for TPH. Supported encodings are: <ul style="list-style-type: none"> • 0b: TPH and Extended TPH Completer not supported • 1b: TPH Completer supported 	Y
PF0_DEV_CAP2_OBFF_SUPPORT	2	HEX	OBFF Supported. This attribute sets bits [19:18]. Encodings are: <ul style="list-style-type: none"> • 00b: OBFF not supported • 01b: OBFF supported using Message signaling only • 10b: OBFF supported using WAKE# signaling only (not supported) • 11b: OBFF supported using WAKE# and Message signaling (not supported) 	Y
MSI Capability				
PFx_MSI_CAP_NEXTPTR	8	HEX	MSI Capability's Next Capability Offset pointer to the next item in the capabilities list, or 00h if this is the final capability.	N

Table D-1: Virtex-7 FPGA Gen3 Integrated Block for PCI Express Core Attribute Descriptions (Cont'd)

Attribute Name	Number of Bits	Attribute Type	Attribute Description	Applicable to RP Mode?
zFx_MSI_CAP_MULTIMSGCAP	3	DECIMAL	Multiple Message Capable. This attribute sets bits [19:17] in the Control register. Each MSI function can request up to 32 unique messages. System software can read this field to determine the number of messages requested. The number of Messages requested are encoded as follows: <ul style="list-style-type: none"> • 0h: 1 vector • 1h: 2 vectors • 2h: 4 vectors • 3h: 8 vectors • 4h: 16 vectors • 5h: 32 vectors • 6h, 7h: Reserved 	N
MSI-X Capability				
PFx_MSIX_CAP_NEXTPTR	8	HEX	MSI-X Capability's Next Capability Offset. This attribute contains the pointer to the next item in the capabilities list, or 00h if this is the final capability.	N
zFx_MSIX_CAP_PBA_BIR	3	DECIMAL	MSI-X Pending Bit Array BIR. This value is transferred to the MSI-X PBA BIR field. It is set to 0 if MSI-X is disabled.	N
zFx_MSIX_CAP_PBA_OFFSET	29	HEX	MSI-X Pending Bit Array Offset. This value is transferred to the MSI-X PBA Offset field. This attribute is set to 0 if MSI-X is disabled.	N
zFx_MSIX_CAP_TABLE_BIR	3	DECIMAL	MSI-X Table BIR. This value is transferred to the MSI-X Table BIR field. This attribute is set to 0 if MSI-X is disabled.	N
zFx_MSIX_CAP_TABLE_OFFSET	29	HEX	MSI-X Table Offset. This value is transferred to the MSI-X Table Offset field. This attribute is set to 0 if MSI-X is disabled.	N
zFx_MSIX_CAP_TABLE_SIZE	11	HEX	MSI-X Table Size. This value is transferred to the MSI-X Message Control[10:0] field. This attribute is set to 0 if MSI-X is disabled. The table must be implemented in user logic.	N
PM Capability				
zFx_PM_CAP_ID	8	HEX	PM Capability ID. This attribute indicates that the capability structure is for Power Management.	N
zFx_PM_CAP_NEXTPTR	8	HEX	PM Capability Next Cap Pointer. Contains the pointer to the next PCI Capability Structure.	N

Table D-1: Virtex-7 FPGA Gen3 Integrated Block for PCI Express Core Attribute Descriptions (Cont'd)

Attribute Name	Number of Bits	Attribute Type	Attribute Description	Applicable to RP Mode?
PF0_PM_CAP_PMESUPPORT_D3HOT	1	STRING	PME Support for D3hot State. This attribute sets bit 14 of the PMC register when TRUE. All Functions assume the value is programmed into PF0.	N
PF0_PM_CAP_PMESUPPORT_D1	1	STRING	PME Support for D1 State. This attribute sets bit 12 of the PMC register when TRUE. All functions assume the value is programmed into PF0.	N
PF0_PM_CAP_PMESUPPORT_D0	1	STRING	PME Support for D0 State. This attribute sets bit 11 of the PMC register when TRUE. All functions assume the value is programmed into PF0.	N
PF0_PM_CAP_SUPP_D1_STATE	1	STRING	D1_Support for D0 State. This attribute sets bit 9 of the PMC register when TRUE. All functions assume the value is programmed into PF0.	N
zFx_PM_CAP_VER_ID	3	HEX	Version of PM Specification. Indicates which version of the PCI Bus Power Management Specifications that the Function implements.	N
PF0_PM_CSR_NOSOFTRESET	1	STRING	No_Soft_Reset. Power Management CSR [3], No Soft Reset bit. All functions assume value programmed into PF0.	N
RBAR Capability				
PFx_RBAR_CAP_ENABLE	1	STRING	Enable Resizable BAR Capability. When this attribute is set to TRUE, RBAR Capability functionality is enabled.	N
PFx_RBAR_CAP_VER	4	HEX	RBAR Capability Version.	N
PFx_RBAR_CAP_NEXTPTR	12	HEX	Resizable BAR Capability's Next Capability Offset pointer to the next item in the capabilities list, or 000h if this is the final capability.	N
PFx_RBAR_NUM	3	HEX	The number of Resizable BARs in the cap structure. The value is transferred to the Resizable BAR Control Register 0, bits [7:5].	N
PFx_RBAR_CAP_INDEX0	3	HEX	BAR Index Value for Resizable BAR Control Register 0. This value must be the lowest BAR Index of the resizable BARs.	N
PFx_RBAR_CAP_SIZE0	20	HEX	BAR Size Supported Vector for Resizable BAR Capability Register 0. Bits [3:0] and [31:24] should always be set to 0.	N
PFx_RBAR_CAP_INDEX1	3	HEX	BAR Index Value for Resizable BAR Control Register 1. This attribute is set to 0 if one or fewer BARs can be resized. This value should not be lower than the value on RBAR_CAP_INDEX0.	N

Table D-1: Virtex-7 FPGA Gen3 Integrated Block for PCI Express Core Attribute Descriptions (Cont'd)

Attribute Name	Number of Bits	Attribute Type	Attribute Description	Applicable to RP Mode?
PFx_RBAR_CAP_SIZE1	20	HEX	BAR Size Supported Vector for Resizable BAR Capability Register 1. Bits [3:0] and [31:24] should always be set to 0.	N
PFx_RBAR_CAP_INDEX2	3	HEX	BAR Index Value for Resizable BAR Control Register 2. This attribute is set to 0 if two or fewer BARs can be resized. This value should not be lower than the value on RBAR_CAP_INDEX0, 1.	N
PFx_RBAR_CAP_SIZE2	20	HEX	BAR Size Supported Vector for Resizable BAR Capability Register 2. Bits [3:0] and [31:24] should always be set to 0.	N
Root Port Capability				
DNSTREAM_LINK_NUM	8	HEX	Used in downstream facing mode only. Specifies the link number that this device advertises in TS1 and TS2 during link training.	Y
DSN Capability				
PFx_DSN_CAP_NEXTPTR	12	HEX	Device Serial Number's Capability's Next Capability Offset Pointer. This attribute contains the pointer to the next item in the capabilities list, or 000h if this is the final capability.	N
VC Capability (PFO only)				
PFO_VC_CAP_VER	4	HEX	VC Capability Version	N
PFO_VC_CAP_NEXTPTR	12	HEX	VC Next Capability Pointer	N
AER Capability				
PFx_AER_CAP_NEXTPTR	12	HEX	AER's Next Capability Offset Pointer. This attribute contains the pointer to the next item in the capabilities list, or 000h if this is the final capability.	Y
PFx_AER_CAP_ECRC_CHECK_CAPABLE	1	STRING	This attribute indicates that the core can check ECRC. The value is transferred to bit 7 of the AER Capabilities and Control register.	Y
PFx_AER_CAP_ECRC_GEN_CAPABLE	1	STRING	This attribute indicates that the core can generate ECRC. The value is transferred to bit 5 of the AER Capabilities and Control register.	Y
ARI Capability				
ARI_CAP_ENABLE	1	STRING	Enable ARI Capability. When this attribute is FALSE, the legacy interpretation of PCI RID {8-bit Bus number, 5-bit device number, 3-bit Function number} is enabled. When this attribute is TRUE, an alternate interpretation of PCI RID {8-bit Bus number, 8-bit Function number} is enabled.	N

Table D-1: Virtex-7 FPGA Gen3 Integrated Block for PCI Express Core Attribute Descriptions (Cont'd)

Attribute Name	Number of Bits	Attribute Type	Attribute Description	Applicable to RP Mode?
zFx_ARI_CAP_NEXTPTR	12	HEX	ARI Next Capability Offset. Bits [31:20] of the ARI Extended Capability Header Register.	N
PF0_ARI_CAP_VER	4	HEX	ARI Capability Version. Bits [19:16] of the ARI Extended Capability Header Register.	N
PFx_ARI_CAP_NEXT_FUNC	8	HEX	ARI Next Function. Bits [15:8] of the ARI Capability and Control Registers. This attribute points to the next Physical Function in the device.	N
Power Budget Enhanced Capability				
PFx_PB_CAP_NEXTPTR	12	HEX	Power Budget Next Capability Offset. Bits [31:20] of the ARI Extended Capability Header Register.	N
PFx_PB_CAP_VER	4	HEX	Power Budget Capability Version. Bits [19:16] of the PB Extended Capability Header Register.	N
PFx_PB_CAP_SYSTEM_ALLOCATED	1	STRING	Power Budget System Allocated. This attribute sets bit 0 in the Power Budget Capability register. This bit is set to indicate that the device power specified by this Power Management Capability Structure is included in the system power budget. When this bit set, the software must exclude the device power reported by this Capability Structure from power calculations, when making power budgeting decisions.	N
LTR Capability (PF0 only)				
PF0_LTR_CAP_NEXTPTR	12	HEX	LTR Next Capability Offset. Bits [31:20] of the LTR Extended Capability Header Register.	N
PF0_LTR_CAP_VER	4	HEX	LTR Capability Version. Bits [19:16] of the LTR Extended Capability Header Register.	N
PF0_LTR_CAP_MAX_SNOOP_LAT	10	HEX	LTR Capability Maximum Snoop Latency. Bits [9:0] of the LTR Max Snoop/Max No-Snoop Latency register. System software sets this attribute. Non-default values should not be set under normal operating conditions.	N
PF0_LTR_CAP_MAX_NOSNOOP_LAT	10	HEX	LTR Capability Max No Snoop Latency. Bits [25:16] of the LTR Max Snoop/Max No-Snoop Latency Register. The use model is for system software to set this field, and non-default values should not be set under normal operating conditions.	N

Table D-1: Virtex-7 FPGA Gen3 Integrated Block for PCI Express Core Attribute Descriptions (Cont'd)

Attribute Name	Number of Bits	Attribute Type	Attribute Description	Applicable to RP Mode?
LTR_TX_MESSAGE_ON_LTR_ENABLE	1	STRING	<p>When this attribute is TRUE, the core automatically transmits an LTR message whenever the LTR Mechanism Enable bit in the Device Control 2 Register changes from 0 to 1, with the parameters specified in the LTR Snoop/No-Snoop Latency Register. When this bit is TRUE, the core also transmits an LTR message whenever the LTR Mechanism Enable bit is cleared, if these conditions are both true:</p> <ul style="list-style-type: none"> • The core sent at least one LTR message since the LTR Mechanism Enable bit was last set. • The most recent LTR message transmitted by the core had at least one of the Requirement bits set. <p>The core sets the Requirement bits in this LTR message to 0. When this bit is 0, the core does not, by itself, send any LTR messages in response to state changes of the LTR Mechanism Enable bit. You can monitor the state of the <code>cfg_ltr_enable</code> output of the core and transmit LTR messages through the AXI4-Stream interface in response to its state changes.</p>	N
LTR_TX_MESSAGE_ON_FUNC_POWER_STATE_CHANGE	1	STRING	<p>When this attribute is TRUE, the core automatically transmits an LTR message when all Functions in the core have transitioned to a non-D0 power state, provided that the following conditions are both true:</p> <ul style="list-style-type: none"> • The core sent at least one LTR message since the Data Link layer last transitioned from down to up state. • The most recent LTR message transmitted by the core had at least one of the Requirement bits set. The core sets the Requirement bits in this LTR message to 0. <p>When this bit 12 is 0, the core does not, by itself, send any LTR messages in response to Function Power State changes. You can monitor the <code>cfg_function_power_state</code> outputs of the core and transmit LTR messages through the AXI4-Stream interface in response to changes in their states.</p>	N

Table D-1: Virtex-7 FPGA Gen3 Integrated Block for PCI Express Core Attribute Descriptions (Cont'd)

Attribute Name	Number of Bits	Attribute Type	Attribute Description	Applicable to RP Mode?
LTR_TX_MESSAGE_MINIMUM_INTERVAL	10	HEX	This attribute specifies the minimum spacing between LTR messages transmitted by the core in microseconds. The PCI Express Specifications recommend sending no more than two LTR messages within a 500 microsecond interval. The core waits for the minimum delay specified by this field after sending an LTR message before transmitting a new LTR message.	N
DPA Capability				
PFx_DPA_CAP_NEXTPTR	12	HEX	DPA Next Capability Offset. Bits [31:20] of the DPA Extended Capability Header Register.	N
PFx_DPA_CAP_VER	4	HEX	DPA Capability Version. Bits [19:16] of the DPA Extended Capability Header Register.	N
PFx_DPA_CAP_SUB_STATE_CONTROL_EN	1	STRING	DPA Substate Control Enable. This attribute sets bit 8 in the DPA Control and Status register. This bit enables the Substate Control field. This bit is initialized to 1 by the hardware on a hard reset or a Function-Level Reset. Software can clear this bit by writing a 1 to this bit position, but cannot set this bit directly through a configuration write. Clearing this bit disables the Substate Control field, thus preventing further substate transitions for this Function.	N
PFx_DPA_CAP_SUB_STATE_CONTROL	5	HEX	DPA Substate Control. This attribute sets bits [20:16] in the DPA Control and Status register. Used by software to configure the Function substate. Software writes the substate value in this field to initiate a substate transition.	N
PFx_DPA_CAP_SUB_STATE_POWER_ALLOCATION0	8	HEX	DPA Substate Power State Allocation 0. This attribute contains the power allocation for the first DPA substate covered by this register. This value, when multiplied by the Power Allocation Scale programmed in the DPA Capability register, provides the power associated with the corresponding substate in watts.	N
PFx_DPA_CAP_SUB_STATE_POWER_ALLOCATION1	8	HEX	DPA Substate Power State Allocation 1. This attribute contains the power allocation for the second DPA substate covered by this register. This value, when multiplied by the Power Allocation Scale programmed in the DPA Capability register, provides the power associated with the corresponding substate in watts.	N

Table D-1: Virtex-7 FPGA Gen3 Integrated Block for PCI Express Core Attribute Descriptions (Cont'd)

Attribute Name	Number of Bits	Attribute Type	Attribute Description	Applicable to RP Mode?
PFx_DPA_CAP_SUB_STATE_POWER_ALLOCATION2	8	HEX	DPA Substate Power State Allocation 2. This attribute contains the power allocation for the third DPA substate covered by this register. This value, when multiplied by the Power Allocation Scale programmed in the DPA Capability register, provides the power associated with the corresponding substate in watts.	N
PFx_DPA_CAP_SUB_STATE_POWER_ALLOCATION3	8	HEX	DPA Substate Power State Allocation 3. This attribute contains the power allocation for the fourth DPA substate covered by this register. This value, when multiplied by the Power Allocation Scale programmed in the DPA Capability register, provides the power associated with the corresponding substate in watts.	N
PFx_DPA_CAP_SUB_STATE_POWER_ALLOCATION4	8	HEX	DPA Substate Power State Allocation 4. This attribute contains the power allocation for the fifth DPA substate covered by this register. This value, when multiplied by the Power Allocation Scale programmed in the DPA Capability register, provides the power associated with the corresponding substate in watts.	N
PFx_DPA_CAP_SUB_STATE_POWER_ALLOCATION5	8	HEX	DPA Substate Power State Allocation 5. This field contains the power allocation for the sixth DPA substate covered by this register. This value, when multiplied by the Power Allocation Scale programmed in the DPA Capability register, provides the power associated with the corresponding substate in watts.	N
PFx_DPA_CAP_SUB_STATE_POWER_ALLOCATION6	8	HEX	DPA Substate Power State Allocation 6. This attribute contains the power allocation for the seventh DPA substate covered by this register. This value, when multiplied by the Power Allocation Scale programmed in the DPA Capability register, provides the power associated with the corresponding substate in watts.	N
PFx_DPA_CAP_SUB_STATE_POWER_ALLOCATION7	8	HEX	DPA Substate Power State Allocation 7. This attribute contains the power allocation for the eighth DPA substate covered by this register. This value, when multiplied by the Power Allocation Scale programmed in the DPA Capability register, provides the power associated with the corresponding substate in watts.	N

Table D-1: Virtex-7 FPGA Gen3 Integrated Block for PCI Express Core Attribute Descriptions (Cont'd)

Attribute Name	Number of Bits	Attribute Type	Attribute Description	Applicable to RP Mode?
SRIOV Capability (PF0 only)				
SRIOV_CAP_ENABLE	1	STRING	Enable SRIOV Capability. The Single Root I/O Virtualization feature is enabled when this attribute is set to TRUE. ARI_CAP_ENABLE must also be set to TRUE to enable this feature.	N
PFx_SRIOV_CAP_NEXTPTR	12	HEX	SRIOV Next Capability Offset. Bits [31:20] of the SRIOV Extended Capability Header Register.	N
PFx_SRIOV_CAP_VER	4	HEX	SRIOV Capability Version. Bits [19:16] of the SRIOV Extended Capability Header Register.	N
PFx_SRIOV_CAP_INITIAL_VF	16	HEX	Initial Number of VFs. This attribute contains the initial number of VFs configured for PF0.	N
PFx_SRIOV_CAP_TOTAL_VF	16	HEX	Total Number of VFs. This attribute contains the total number of VFs configured for PF0. The value must be equal to PF0_SRIOV_CAP_INITIAL_VF.	N
PFx_SRIOV_FUNC_DEP_LINK	16	HEX	Physical Function Dependency Link. This attribute is used to specify dependencies between PFs. The programming model for a Device can have vendor-specific dependencies between sets of Functions. The Function Dependency Link field is used to describe these dependencies.	N
PFx_SRIOV_FIRST_VF_OFFSET	16	HEX	Offset of first VF, relative to PF0. The default value depends on the setting of VF_MODE. The offset is such that the Routing IDs of the VFs are mapped in the range: <ul style="list-style-type: none"> • PF0 VFs: 64-69 • PF1 VFs: 63-68 	N
PFx_SRIOV_VF_DEVICE_ID	16	HEX	VF Device ID assigned to device. This field contains the Device ID that should be presented for every VF to the single root I/O virtualization (SR-IOV).	N
PFx_SRIOV_SUPPORTED_PAGE_SIZE	32	HEX	Page Size Supported by Device. This field indicates the page sizes supported by the PF. This PF supports a page size of $2n+12$, if bit n is set.	N

Table D-1: Virtex-7 FPGA Gen3 Integrated Block for PCI Express Core Attribute Descriptions (Cont'd)

Attribute Name	Number of Bits	Attribute Type	Attribute Description	Applicable to RP Mode?
PFx_SRIOV_BAR0_CONTROL	3	HEX	BAR0 Control. Specifies the configuration of BAR 0. The encodings are: <ul style="list-style-type: none"> • 000: Disabled • 001: 32-bit I/O BAR • 010-011: Reserved • 100: 32-bit memory BAR, non-prefetchable • 101: 32-bit memory BAR, prefetchable • 110: Part of 64-bit memory BAR 0-1, non-prefetchable • 111: Part of 64-bit memory BAR 0-1, prefetchable 	N

Table D-1: Virtex-7 FPGA Gen3 Integrated Block for PCI Express Core Attribute Descriptions (Cont'd)

Attribute Name	Number of Bits	Attribute Type	Attribute Description	Applicable to RP Mode?
PfX_SRIOV_BAR0_APERTURE_SIZE	5	HEX	<p>BAR0 Aperture. Specifies the aperture of the 32-bit BAR0 or 64-bit BAR0-1. The encodings are:</p> <ul style="list-style-type: none"> • 00000: 128 bytes • 00001: 256 bytes • 00010: 512 bytes • 00011: 1 Kbytes • 00100: 2 Kbytes • 00101: 4 Kbytes • 00110: 8 Kbytes • 00111: 16 Kbytes • 01000: 32 Kbytes • 01001: 64 Kbytes • 01010: 128 Kbytes • 01011: 256 Kbytes • 01100: 512 Kbytes • 01101: 1 Mbytes • 01110: 2 Mbytes • 01111: 4 Mbytes • 10000: 8 Mbytes • 10001: 16 Mbytes • 10010: 32 Mbytes • 10011: 64 Mbytes • 10100: 128 Mbytes • 10101: 256 Mbytes • 10110: 512 Mbytes • 10111: 1 Gbytes • 11000: 2 Gbytes • 11001: 4 Gbytes • 11010: 8 Gbytes • 11011: 16 Gbytes • 11100: 32 Gbytes • 11101: 64 Gbytes • 11110: 128 Gbytes • 11111: 256 Gbytes 	N
PfX_SRIOV_BAR1_CONTROL	3	HEX	<p>BAR1 Control - Specifies the configuration of BAR 1 when it is configured as a 32-bit BAR. The encodings are:</p> <ul style="list-style-type: none"> • 000: Disabled • 001: 32-bit I/O BAR • 010-011: Reserved • 100: 32-bit memory BAR, non-prefetchable • 101: 32-bit memory BAR, prefetchable 	N

Table D-1: Virtex-7 FPGA Gen3 Integrated Block for PCI Express Core Attribute Descriptions (Cont'd)

Attribute Name	Number of Bits	Attribute Type	Attribute Description	Applicable to RP Mode?
PfX_SRIOV_BAR1_APERTURE_SIZE	5	HEX	<p>BAR1 Aperture. Specifies the aperture of BAR 1 when it is configured as a 32-bit BAR. The valid encodings are:</p> <ul style="list-style-type: none"> • 0000-00011: 1 Kbytes • 00100: 2 Kbytes • 00101: 4 Kbytes • 00110: 8 Kbytes • 00111: 16 Kbytes • 01000: 32 Kbytes • 01001: 64 Kbytes • 01010: 128 Kbytes • 01011: 256 Kbytes • 01100: 512 Kbytes • 01101: 1 Mbytes • 01110: 2 Mbytes • 01111: 4 Mbytes • 10000: 8 Mbytes • 10001: 16 Mbytes • 10010: 32 Mbytes • 10011: 64 Mbytes • 10100: 128 Mbytes • 10101: 256 Mbytes • 10110: 512 Mbytes • 10111: 1 Gbytes • 11000: 2 Gbytes 	N
PfX_SRIOV_BAR2_CONTROL	3	HEX	<p>BAR2 Control. Specifies the configuration of BAR 2. The encodings are:</p> <ul style="list-style-type: none"> • 000: Disabled • 001: 32-bit I/O BAR • 010-011: Reserved • 100: 32-bit memory BAR, non-prefetchable • 101: 32-bit memory BAR, prefetchable • 110: Part of 64-bit memory BAR 0-1, non-prefetchable • 111: Part of 64-bit memory BAR 0-1, prefetchable 	N

Table D-1: Virtex-7 FPGA Gen3 Integrated Block for PCI Express Core Attribute Descriptions (Cont'd)

Attribute Name	Number of Bits	Attribute Type	Attribute Description	Applicable to RP Mode?
PfX_SRIOV_BAR2_APERTURE_SIZE	5	HEX	<p>BAR2 Aperture. Specifies the aperture of the 32-bit BAR 2 or 64-bit BAR2–3. The encodings are:</p> <ul style="list-style-type: none"> • 00000: 128 bytes • 00001: 256 bytes • 00010: 512 bytes • 00011: 1 Kbytes • 00100: 2 Kbytes • 00101: 4 Kbytes • 00110: 8 Kbytes • 00111: 16 Kbytes • 01000: 32 Kbytes • 01001: 64 Kbytes • 01010: 128 Kbytes • 01011: 256 Kbytes • 01100: 512 Kbytes • 01101: 1 Mbytes • 01110: 2 Mbytes • 01111: 4 Mbytes • 10000: 8 Mbytes • 10001: 16 Mbytes • 10010: 32 Mbytes • 10011: 64 Mbytes • 10100: 128 Mbytes • 10101: 256 Mbytes • 10110: 512 Mbytes • 10111: 1 Gbytes • 11000: 2 Gbytes • 11001: 4 Gbytes • 11010: 8 Gbytes • 11011: 16 Gbytes • 11100: 32 Gbytes • 11101: 64 Gbytes • 11110: 128 Gbytes • 11111: 256 Gbytes 	N
PfX_SRIOV_BAR3_CONTROL	3	HEX	<p>BAR3 Control. Specifies the configuration of BAR 3 when it is configured as a 32-bit BAR. The encodings are:</p> <ul style="list-style-type: none"> • 000: Disabled • 001: 32-bit I/O BAR • 010–011: Reserved • 100: 32-bit memory BAR, non-prefetchable • 101: 32-bit memory BAR, prefetchable 	N

Table D-1: Virtex-7 FPGA Gen3 Integrated Block for PCI Express Core Attribute Descriptions (Cont'd)

Attribute Name	Number of Bits	Attribute Type	Attribute Description	Applicable to RP Mode?
PfX_SRIOV_BAR3_APERTURE_SIZE	5	HEX	<p>BAR3 Aperture. Specifies the aperture of BAR 3 when it is configured as a 32-bit BAR. The valid encodings are:</p> <ul style="list-style-type: none"> • 00000: 128 bytes • 00001: 256 bytes • 00010: 512 bytes • 00011: 1 Kbytes • 00100: 2 Kbytes • 00101: 4 Kbytes • 00110: 8 Kbytes • 00111: 16 Kbytes • 01000: 32 Kbytes • 01001: 64 Kbytes • 01010: 128 Kbytes • 01011: 256 Kbytes • 01100: 512 Kbytes • 01101: 1 Mbytes • 01110: 2 Mbytes • 01111: 4 Mbytes • 10000: 8 Mbytes • 10001: 16 Mbytes • 10010: 32 Mbytes • 10011: 64 Mbytes • 10100: 128 Mbytes • 10101: 256 Mbytes • 10110: 512 Mbytes • 10111: 1 Gbytes • 11000: 2 Gbytes 	N
PfX_SRIOV_BAR4_CONTROL	3	HEX	<p>BAR4 Control. Specifies the configuration of BAR 4. The encodings are:</p> <ul style="list-style-type: none"> • 000: Disabled • 001: 32-bit I/O BAR • 010-011: Reserved • 100: 32-bit memory BAR, non-prefetchable • 101: 32-bit memory BAR, prefetchable • 110: Part of 64-bit memory BAR 4–5, non-prefetchable • 111: Part of 64-bit memory BAR 4–5, prefetchable 	N

Table D-1: Virtex-7 FPGA Gen3 Integrated Block for PCI Express Core Attribute Descriptions (Cont'd)

Attribute Name	Number of Bits	Attribute Type	Attribute Description	Applicable to RP Mode?
PfX_SRIOV_BAR4_APERTURE_SIZE	5	HEX	<p>BAR4 Aperture. Specifies the aperture of the 32-bit BAR 4 or 64-bit BAR4–5. The encodings are:</p> <ul style="list-style-type: none"> • 00000: 128 bytes • 00001: 256 bytes • 00010: 512 bytes • 00011: 1 Kbytes • 00100: 2 Kbytes • 00101: 4 Kbytes • 00110: 8 Kbytes • 00111: 16 Kbytes • 01000: 32 Kbytes • 01001: 64 Kbytes • 01010: 128 Kbytes • 01011: 256 Kbytes • 01100: 512 Kbytes • 01101: 1 Mbytes • 01110: 2 Mbytes • 01111: 4 Mbytes • 10000: 8 Mbytes • 10001: 16 Mbytes • 10010: 32 Mbytes • 10011: 64 Mbytes • 10100: 128 Mbytes • 10101: 256 Mbytes • 10110: 512 Mbytes • 10111: 1 Gbytes • 11000: 2 Gbytes • 11001: 4 Gbytes • 11010: 8 Gbytes • 11011: 16 Gbytes • 11100: 32 Gbytes • 11101: 64 Gbytes • 11110: 128 Gbytes • 11111: 256 Gbytes 	N
PfX_SRIOV_BAR5_CONTROL	3	HEX	<p>BAR5 Control. Specifies the configuration of BAR 3 when it is configured as a 32-bit BAR. The encodings are:</p> <ul style="list-style-type: none"> • 000: Disabled • 001: 32-bit I/O BAR • 010–011: Reserved • 100: 32-bit memory BAR, non-prefetchable • 101: 32-bit memory BAR, prefetchable 	N

Table D-1: Virtex-7 FPGA Gen3 Integrated Block for PCI Express Core Attribute Descriptions (Cont'd)

Attribute Name	Number of Bits	Attribute Type	Attribute Description	Applicable to RP Mode?
PfX_SRIOV_BAR5_APERTURE_SIZE	5	HEX	<p>BAR5 Aperture. Specifies the aperture of BAR 5 when it is configured as a 32-bit BAR. The valid encodings are:</p> <ul style="list-style-type: none"> • 00000: 128 bytes • 00001: 256 bytes • 00010: 512 bytes • 00011: 1 Kbytes • 00100: 2 Kbytes • 00101: 4 Kbytes • 00110: 8 Kbytes • 00111: 16 Kbytes • 01000: 32 Kbytes • 01001: 64 Kbytes • 01010: 128 Kbytes • 01011: 256 Kbytes • 01100: 512 Kbytes • 01101: 1 Mbytes • 01110: 2 Mbytes • 01111: 4 Mbytes • 10000: 8 Mbytes • 10001: 16 Mbytes • 10010: 32 Mbytes • 10011: 64 Mbytes • 10100: 128 Mbytes • 10101: 256 Mbytes • 10110: 512 Mbytes • 10111: 1 Gbytes • 11000: 2 Gbytes 	N
TPH Requester Capability				
zFx_TPHR_CAP_NEXTPTR	12	HEX	TPHR Next Capability Offset. Bits [31:20] of the TPHR Extended Capability Header Register.	N
zFx_TPHR_CAP_VER	4	HEX	TPHR Capability Version. Bits [19:16] of the TPHR Extended Capability Header Register.	N
zFx_TPHR_CAP_INT_VEC_MODE	1	STRING	Interrupt Vector Mode Supported. Bit 1 in the TPH Requester Capability Register. A setting of TRUE indicates that the Function supports the Interrupt Vector Mode for TPH Steering Tag generation. In the Interrupt Vector Mode, Steering Tags are attached to MSI/MSI-X interrupt requests. The Steering Tag for each interrupt request is selected by the MSI/MSI-X interrupt vector number.	N

Table D-1: Virtex-7 FPGA Gen3 Integrated Block for PCI Express Core Attribute Descriptions (Cont'd)

Attribute Name	Number of Bits	Attribute Type	Attribute Description	Applicable to RP Mode?
zFx_TPHR_CAP_DEV_SPECIFIC_MODE	1	STRING	Device Specific Mode Supported. Bit 2 in the TPH Requester Capability Register. A setting of TRUE indicates that the Function supports the Device-Specific Mode for TPH Steering Tag generation. In this mode, the Steering Tags are supplied by the client for each request through the AXI4-Stream interface. The client typically chooses the Steering Tag values from the ST Table, but is not required to do so.	N
zFx_TPHR_CAP_ST_TABLE_LOC	2	HEX	Steering Tag Table Location. Bits [10:0] in the TPH Requester Capability Register. This field indicates if a Steering Tag table is implemented for this Function and its location, if present. <ul style="list-style-type: none"> • 00b: Steering Tag table is not present • 01b: Steering Tag table is in the TPH Requester Capability Structure • 10b: Steering Tag values stored in the MSI-X table in used memory space • 11b: Reserved 	N
zFx_TPHR_CAP_ST_TABLE_SIZE	11	HEX	Steering Tag Table Size. Sets bits [26:16] in the TPH Requester Capability Register. The value indicates the maximum number of Steering Tag table entries the Function can use. Software reads this field to determine the Steering Tag Table Size N, which is encoded as N - 1. There is an upper limit of 64 entries when the Steering Tag table is located in the TPH Requester Capability structure. There is an upper limit of 2048 entries when the Steering Tag table is located in the MSI-X table.	N
zFx_TPHR_CAP_ST_MODE_SEL	3	HEX	Steering Tag Mode Select. Sets bits [2:0] in the TPH Requester Control Register. Selects the Steering Tag mode of operation. Valid encodings are: <ul style="list-style-type: none"> • 000b: No ST Mode • 001b: Interrupt Vector Mode • 010b: Device-Specific Mode All other encodings are reserved.	N

Table D-1: Virtex-7 FPGA Gen3 Integrated Block for PCI Express Core Attribute Descriptions (Cont'd)

Attribute Name	Number of Bits	Attribute Type	Attribute Description	Applicable to RP Mode?
zFx_TPHR_CAP_ENABLE	1	STRING	TPH Requester Enable. Sets bit 8 in the TPH Requester Control Register. This attribute controls the ability to issue Request TLPs using either TPH. Encodings are: <ul style="list-style-type: none"> FALSE (0): Function operating as a Requester is not permitted to issue Requests with TPH or Extended TPH. TRUE (1): Function operating as a Requester is permitted to issue Requests with TPH and is not permitted to issue Requests with Extended TPH. The use model is for system software to set this field, and non-default values should not be set under normal operating conditions.	N
Gen3 PCS				
GEN3_PCS_AUTO_REALIGN	2	HEX	Gen3 PCS Sync Header Error Control. Valid encodings are: <ul style="list-style-type: none"> 0: Any RxSyncHeader error causes the RX path to realign 1: Any two RxSyncHeader errors over 8 data beats causes the RX path to realign 2: Any two RxSyncHeader errors over 64 data beats causes the RX path to realign 	Y
GEN3_PCS_RX_ELECIDLE_INTERNAL	1	STRING	Gen3 PCS Rx Electrical Idle Internal. When this attribute is TRUE, per lane Rx Electrical Idle is generated internally (the <code>pipe_rxn_elec_idle</code> input is ignored). When this attribute is FALSE, per lane Rx Electrical Idle <code>pipe_rxn_elec_idle</code> is used at Gen3 speeds.	Y
Functional Test and Debug				
PL_DISABLE_SCRAMBLING	1	STRING	When this attribute is TRUE, the scrambler and descrambler in the Physical Layer are disabled at Gen1 and Gen2 speeds. This attribute is used for test and debug only.	Y
Pin Characterization Mode and Spares				
TEST_MODE_PIN_CHAR	1	STRING	Pin Characterization Test mode. When this attribute is TRUE, Input to Output paths are enabled for pin characterization.	Y
SPARE_BIT0	1	DECIMAL	Spare attribute	Y
SPARE_BIT1	1	DECIMAL	Spare attribute	Y
SPARE_BIT2	1	DECIMAL	Spare attribute	Y
SPARE_BIT3	1	DECIMAL	Spare attribute	Y
SPARE_BIT4	1	DECIMAL	Spare attribute	Y

Table D-1: Virtex-7 FPGA Gen3 Integrated Block for PCI Express Core Attribute Descriptions (Cont'd)

Attribute Name	Number of Bits	Attribute Type	Attribute Description	Applicable to RP Mode?
SPARE_BIT5	1	DECIMAL	Spare attribute	Y
SPARE_BIT6	1	DECIMAL	Spare attribute	Y
SPARE_BIT7	1	DECIMAL	Spare attribute	Y
SPARE_BIT8	1	DECIMAL	Spare attribute	Y
SPARE_BYTE0	8	HEX	Spare attribute	Y
SPARE_BYTE1	8	HEX	Spare attribute	Y
SPARE_BYTE2	8	HEX	Spare attribute	Y
SPARE_BYTE3	8	HEX	Spare attribute	Y
SPARE_WORD0	32	HEX	Spare attribute	Y
SPARE_WORD1	32	HEX	Spare attribute	Y
SPARE_WORD2	32	HEX	Spare attribute	Y
SPARE_WORD3	32	HEX	Spare attribute	Y

Additional Resources

Xilinx Resources

For support resources such as Answers, Documentation, Downloads, and Forums, see the Xilinx Support website at:

www.xilinx.com/support.

For a glossary of technical terms used in Xilinx documentation, see:

www.xilinx.com/company/terms.htm.

References

These documents provide supplemental material useful with this product guide:

1. [AMBA AXI4-Stream Protocol Specification](#)
2. [PCI-SIG® Specifications](#)
3. *Virtex-7 FPGAs Data Sheet: DC and Switching Characteristics* ([DS183](#))
4. *7 Series FPGAs Configuration User Guide* ([UG470](#))
5. *7 Series FPGAs SelectIO Resources User Guide* ([UG471](#))
6. *7 Series FPGAs Clocking Resources User Guide* ([UG472](#))
7. *7 Series FPGAs GTX/GTH Transceivers User Guide* ([UG476](#))
8. [Vivado Design Suite user documentation](#)
9. *Vivado Design Suite Migration Methodology Guide* ([UG911](#))
10. [ATX Power Supply Design Guide](#)

Revision History

The following table shows the revision history for this document.

Date	Version	Revision
04/24/2012	1.0	Initial Xilinx release.
07/25/2012	1.1	<ul style="list-style-type: none"> Updated core to v1.2 and ISE Design Suite version to 14.2. Added support for Vivado Design Suite 2012.2. Added Endpoint Model Test Bench for Root Port in Chapter 9.
10/16/2012	1.2	<ul style="list-style-type: none"> Updated core to v1.3, ISE Design Suite to 14.3 and Vivado Design Suite to 2012.3. New screenshots and descriptions in Chapter 4, Customizing and Generating the Core. Removed XC7VH290T Updated description for <code>cfg_mgmt_addr</code>, <code>cfg_ltssm_state</code>, and <code>cfg_interrupt_msi_int</code>. Added Table 2-18, and made major updates to Table 2-26. Added Target Function Value to PF/VF map mappings (Table 3-3). Added note to contact Xilinx regarding Root Port configuration availability. Added PIPE MODE Simulation section in Chapter 6 and Chapter 9. Added new PIO write address and write data numbers in Programmed Input/Output: Endpoint Example Design. Updated description for <code>PFx_SRIOV_FIRST_VF_OFFSET</code> attribute (Table D-1).
12/18/2012	1.3	<ul style="list-style-type: none"> Updated core to v1.4, ISE Design Suite to 14.4 and Vivado Design Suite to 2012.4. Added Tandem Configuration in Chapter 3.
03/20/2013	2.0	<ul style="list-style-type: none"> Updated for core v2.0 and Vivado Design Suite-only support. Added Clocking Interface for Partial Reconfiguration, User TPH Interface, Non-Project Flow and Known Restrictions. Updated Tandem Configuration.

Notice of Disclaimer

The information disclosed to you hereunder (the "Materials") is provided solely for the selection and use of Xilinx products. To the maximum extent permitted by applicable law: (1) Materials are made available "AS IS" and with all faults, Xilinx hereby DISCLAIMS ALL WARRANTIES AND CONDITIONS, EXPRESS, IMPLIED, OR STATUTORY, INCLUDING BUT NOT LIMITED TO WARRANTIES OF MERCHANTABILITY, NON-INFRINGEMENT, OR FITNESS FOR ANY PARTICULAR PURPOSE; and (2) Xilinx shall not be liable (whether in contract or tort, including negligence, or under any other theory of liability) for any loss or damage of any kind or nature related to, arising under, or in connection with, the Materials (including your use of the Materials), including for any direct, indirect, special, incidental, or consequential loss or damage (including loss of data, profits, goodwill, or any type of loss or damage suffered as a result of any action brought by a third party) even if such damage or loss was reasonably foreseeable or Xilinx had been advised of the possibility of the same. Xilinx assumes no obligation to correct any errors contained in the Materials or to notify you of updates to the Materials or to product specifications. You may not reproduce, modify, distribute, or publicly display the Materials without prior written consent. Certain products are subject to the terms and conditions of the Limited Warranties which can be viewed at <http://www.xilinx.com/warranty.htm>; IP cores may be subject to warranty and support terms contained in a license issued to you by Xilinx. Xilinx products are not designed or intended to be fail-safe or for use in any application requiring fail-safe performance; you assume sole risk and liability for use of Xilinx products in Critical Applications: <http://www.xilinx.com/warranty.htm#critapps>.

© Copyright 2012 - 2013 Xilinx, Inc. Xilinx, the Xilinx logo, Artix, ISE, Kintex, Spartan, Virtex, Vivado, Zynq, and other designated brands included herein are trademarks of Xilinx in the United States and other countries. PCI, PCIe and PCI Express are trademarks of PCI-SIG and used under license. All other trademarks are the property of their respective owners.