

LogiCORE IP Ethernet 1000BASE-X PCS/PMA or SGMII v14.1

Product Guide for Vivado Design Suite

PG047 December 18, 2013

Table of Contents

IP Facts

Chapter 1: Overview

Feature Summary	8
Core Overview	9
Recommended Design Experience	15
Applications	16
Verification	18
Licensing and Ordering Information	19

Chapter 2: Product Specification

Overview of Ethernet Architecture	20
Standards	21
Performance	22
Voltage Requirements	23
Speed Grades	23
Resource Utilization	24
Port Descriptions	35
Transceiver Control and Status Ports	58
Register Space	68

Chapter 3: Designing with the Core

General Design Guidelines	110
Shared Logic	113
Clocking	114
Resets	114

Chapter 4: The Ten-Bit Interface

Ten-Bit-Interface Logic	118
Clock Sharing across Multiple Cores with TBI	124
Example Designs for the Ten-Bit Interface	125

Chapter 5: 1000BASE-X with Transceivers

Transceiver Logic	140
Clock Sharing Across Multiple Cores with Transceivers	146
Example Design for 1000BASE-X with Transceivers	152
Support Level HDL	153

Chapter 6: SGMII / Dynamic Standards Switching with Transceivers

Receiver Elastic Buffer Implementations	163
Logic Using the Transceiver Rx Elastic Buffer	166
Transceiver Logic with the FPGA Logic Rx Elastic Buffer	166
Clock Sharing - Multiple Cores with Transceivers and FPGA Logic Elastic Buffer	173
SGMII Example Design / Dynamic Switching Example Design Using a Transceiver	179
Support Level HDL	181

Chapter 7: SGMII over LVDS

Design Requirements	191
Clocking Logic	192
Layout and Placement	195
Example Design Implementation	196
Support Level HDL	197

Chapter 8: Using the Client-Side GMII Datapath

Using the Encrypted Core Level Client-Side GMII for the 1000BASE-X Standard	210
Using the Encrypted Core Level Client-Side GMII for the SGMII Standard	216
Additional Client-Side SGMII Logic	219

Chapter 9: Auto-Negotiation

Overview of Operation	230
Using the Auto-Negotiation Interrupt	235
Use of Clock Correction Sequences in Device Specific Transceivers (1000BASE-X Standard)	235
Conclusion	236

Chapter 10: Dynamic Switching of 1000BASE-X and SGMII Standards

Typical Application	237
Operation of the Core	238

Chapter 11: Interfacing to Other Cores

Integration of the Tri-Mode Ethernet MAC for 1000BASE-X Operation	241
Integration of the Tri-Mode Ethernet MAC for Tri-speed SGMII Operation	248
Integration of the Zynq-7000 Device PS ENET0/1 for 1000BASE-X Operation	256
Integration of the Zynq-7000 Device PS ENET0/1 for Tri-speed SGMII Operation	258

Chapter 12: Special Design Considerations

Power Management	261
Start-up Sequencing.....	261
Loopback.....	262

Chapter 13: Customizing and Generating the Core

Impact of IP Integrator on Vivado IDE Options in the IP core.....	264
Vivado IDE for Zynq-7000 Devices	264
Vivado IDE for 7 Series Devices.....	267
Output Generation.....	274

Chapter 14: Constraining the Core

Required Constraints	276
Device, Package, and Speed Grade Selections.....	276
Clock Frequencies	277
I/O Standard and Placement.....	277

Chapter 15: Simulation

Chapter 16: Synthesis and Implementation

Chapter 17: Detailed Example Design

Chapter 18: Test Bench

Demonstration Test Bench	281
Customizing the Test Bench	284

Appendix A: Verification, Compliance, and Interoperability

Simulation	285
Hardware Testing.....	285
Verification.....	286

Appendix B: Migrating and Upgrading

Migrating to the Vivado Design Suite.....	287
Upgrading in the Vivado Design Suite	287

Appendix C: 1000BASE-X State Machines

Introduction	296
Start of Frame Encoding	297
End of Frame Encoding	300

Appendix D: Rx Elastic Buffer Specifications

Introduction	304
Rx Elastic Buffers: Depths and Maximum Frame Sizes	304
Clock Correction	309
Maximum Frame Sizes for Sustained Frame Reception	310
Jumbo Frame Reception	311

Appendix E: Implementing External GMII

GMII Transmitter Logic (Zynq-7000, Virtex-7, Kintex-7, and Artix-7 Devices)	312
GMII Receiver Logic	313

Appendix F: Debugging

Finding Help on Xilinx.com	315
Debug Tools	317
Simulation Debug	318
Hardware Debug	319

Appendix G: Additional Resources

Xilinx Resources	324
References	324
Additional Core Resources	325
Revision History	325
Notice of Disclaimer	326

Introduction

The Xilinx LogiCORE™ IP Ethernet 1000BASE-X PCS/PMA or Serial Gigabit Media Independent Interface (SGMII) core provides a flexible solution for connection to an Ethernet Media Access Controller (MAC) or other custom logic. It supports two standards of operation that can be dynamically selected:

- 1000BASE-X Physical Coding Sublayer (PCS) and Physical Medium Attachment (PMA) operation, as defined in the IEEE 802.3-2008 standard
- Gigabit Media Independent Interface (GMII) to Serial-GMII (SGMII) bridge or SGMII to GMII bridge, as defined in the *Serial-GMII Specification V1.7* (CISCO SYSTEMS, ENG-46158) [Ref 1]

Features

- Supported physical interfaces for 1000BASE-X and SGMII standards
- Integrated transceiver interface using one of the following:
 - Zynq®-7000 All Programmable (AP) SoC GTX Transceiver
 - Virtex®-7 and Kintex® Ultrascale™ device GTH Transceiver
 - Virtex-7 and Kintex-7 FPGA GTX Transceiver
 - Artix®-7 FPGA GTP Transceiver
- Support for SGMII over Select Input/Output (I/O) Low Voltage Differential Signaling (LVDS) in Zynq-7000, Virtex-7, Kintex-7, and Artix-7 devices

LogiCORE IP Facts Table	
Core Specifics	
Supported Device Family ⁽¹⁾	Kintex UltraScale, Zynq-7000, 7 Series
Supported User Interfaces	GMII ⁽²⁾
Resources	See Table 2-2 through Table 2-17 .
Provided with Core	
Design Files	Encrypted RTL
Example Designs	Verilog and VHDL
Test Bench	Demonstration Test Bench
Constraints File	Xilinx Design Constraints (XDC)
Simulation Model	Verilog and VHDL
Supported S/W Driver	NA
Tested Design Flows⁽³⁾	
Design Entry	Vivado® Design Suite Vivado IP Integrator
Simulation	For supported simulators, see the Xilinx Design Tools: Release Notes Guide
Synthesis	Vivado Synthesis
Support	
Provided by Xilinx, Inc. @ www.xilinx.com/support	
Voltage Requirements	

1. For a complete list of supported devices, see the Vivado IP catalog. For supported family configurations see [Table 2-1](#). For supported speed grades see [Speed Grades](#).
2. MII is supported only when used with EMAC0/EMAC1 present in Zynq-7000 AP SoC processor subsystem (PS).
3. For the supported versions of the tools, see the [Xilinx Design Tools: Release Notes Guide](#).

Overview

This product guide provides information for generating a Xilinx Ethernet 1000BASE-X Physical Coding Sublayer/Physical Medium Attachment (PCS/PMA) or Serial Gigabit Media Independent Interface (SGMII) core, customizing and simulating the core using the provided example design, and running the design files through implementation using the Xilinx tools.

The Ethernet 1000BASE-X PCS/PMA or SGMII IP core is a fully-verified solution that supports Verilog Hardware Description Language (HDL) and VHSIC Hardware Description Language (VHDL.) In addition, the example design provided with the core supports both Verilog and VHDL.

For detailed information about the core, see the Ethernet 100BASE-X PCS/PMA or SGMII [product page](#).

Transceivers are defined by device family in the following way:

- Zynq®-7000 All Programmable SoC GTX Transceivers
- Virtex®-7 devices, GTX and GTH transceivers
- Artix®-7 devices, GTP transceivers
- Kintex®-7 devices, GTX transceivers
- Kintex Ultrascale™ devices, GTH transceivers

Feature Summary

- Supported physical interfaces for 1000BASE-X and SGMII standards
- Integrated transceiver interface using one of the following:
 - Zynq-7000 All Programmable (AP) SoC GTX Transceiver
 - Virtex-7 and Kintex UltraScale device GTH Transceiver
 - Virtex-7 and Kintex-7 FPGA GTX Transceiver
 - Artix-7 FPGA GTP Transceiver
- Support for SGMII over Select Input/Output (I/O) Low Voltage Differential Signaling (LVDS) in Zynq-7000, Virtex-7, Kintex-7, and Artix-7 devices
- Configured and monitored through the serial Management Data Input/Output (MDIO) Interface (MII Management), which can optionally be omitted from the core
- Supports 1000BASE-X Auto-Negotiation for information exchange with a link partner, which can optionally be omitted from the core
- Supports SGMII Auto-Negotiation for communication with the external Physical-Side Interface (PHY) device

Core Overview

Ethernet 1000BASE-X PCS/PMA or SGMII Support Using a Device Specific Transceiver

Using the Ethernet 1000BASE-X PCS/PMA or SGMII core with the device-specific transceiver provides the functionality to implement the 1000BASE-X PCS and PMA sublayers. Alternatively, it can be used to provide a GMII to SGMII bridge.

The core interfaces to a device-specific transceiver, which provides some of the PCS layer functionality such as 8B/10B encoding/decoding, the PMA Serializer/Deserializer (SerDes), and clock recovery. Figure 1-1 illustrates the remaining PCS sublayer functionality and the major functional blocks of the core. A description of the functional blocks and signals is provided in subsequent sections.

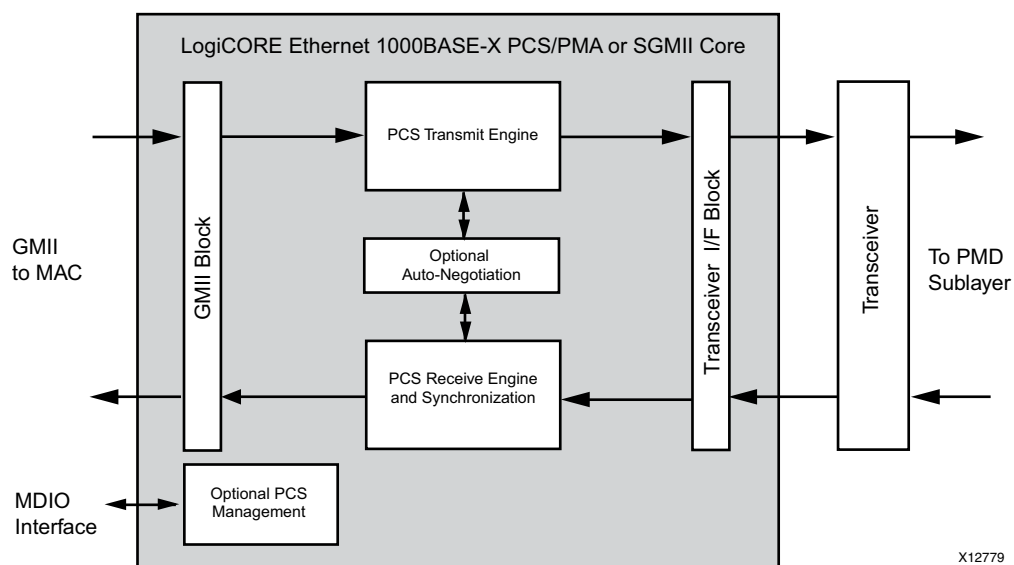


Figure 1-1: Ethernet 1000BASE-X PCS/PMA or SGMII Core Using a Device-Specific Transceiver

GMII Block

The core provides a client-side GMII. This can be used as an internal interface for connection to an embedded Ethernet MAC or other custom logic. Alternatively, the core GMII can be routed to device Input/Output Blocks (IOBs) to provide an off-chip GMII.

Zynq-7000 and 7 series devices support GMII at 3.3V or lower only in certain parts and packages.

Note: See the *7 Series FPGAs SelectIO Resources User Guide* (UG471) [Ref 2] for I/O voltages supported by the devices. Some devices do not support 3.3V on pads.

PCS Transmit Engine

The PCS transmit engine converts the GMII data octets into a sequence of ordered sets by implementing the state diagrams of IEEE 802.3-2008 (Figures 36-5 and 36-6).

PCS Receive Engine and Synchronization

The synchronization process implements the state diagram of IEEE 802.3-2008 (Figure 36-9). The PCS receive engine converts the sequence of ordered sets to GMII data octets by implementing the state diagrams of IEEE 802.3-2008 (Figures 36-7a and 36-7b).

Optional Auto-Negotiation Block

IEEE 802.3-2008 clause 37 describes the 1000BASE-X Auto-Negotiation function that allows a device to advertise the supported modes of operation to a device at the remote end of a link segment (link partner), and to detect corresponding operational modes that the link partner might be advertising. Auto-Negotiation is controlled and monitored through the PCS Management registers.

Optional PCS Management Registers

Configuration and status of the core, including access to and from the optional Auto-Negotiation function, is performed with the 1000BASE-X PCS Management registers as defined in IEEE 802.3-2008 clause 37. These registers are accessed through the serial Management Data Input/Output Interface (MDIO), defined in IEEE 802.3-2008 clause 22, as if it were an externally connected PHY.

An additional configuration interface is provided to program Control register (Register 0) and Auto-Negotiation advertisement register (Register 4) independent of the MDIO interface. Bits corresponding to Remote fault and Pause in Register 5 are also part of Status vector.

The PCS Management registers can be omitted from the core when the core is performing the 1000BASE-X standard. In this situation, configuration and status is made possible by using additional configuration vector and status signals.

When the core is performing the SGMII standard, PCS Management registers become mandatory and information in the registers takes on a different interpretation.

Transceiver Interface Block

The interface block enables the core to connect to a device-specific transceiver.

Ethernet 1000BASE-X PCS/PMA or SGMII Support with Ten-Bit Interface

When used with the Ten-Bit Interface (TBI), the Ethernet 1000BASE-X PCS/PMA or SGMII core provides the functionality to implement the 1000BASE-X PCS sublayer (or to provide SGMII support) with use of an external SerDes.

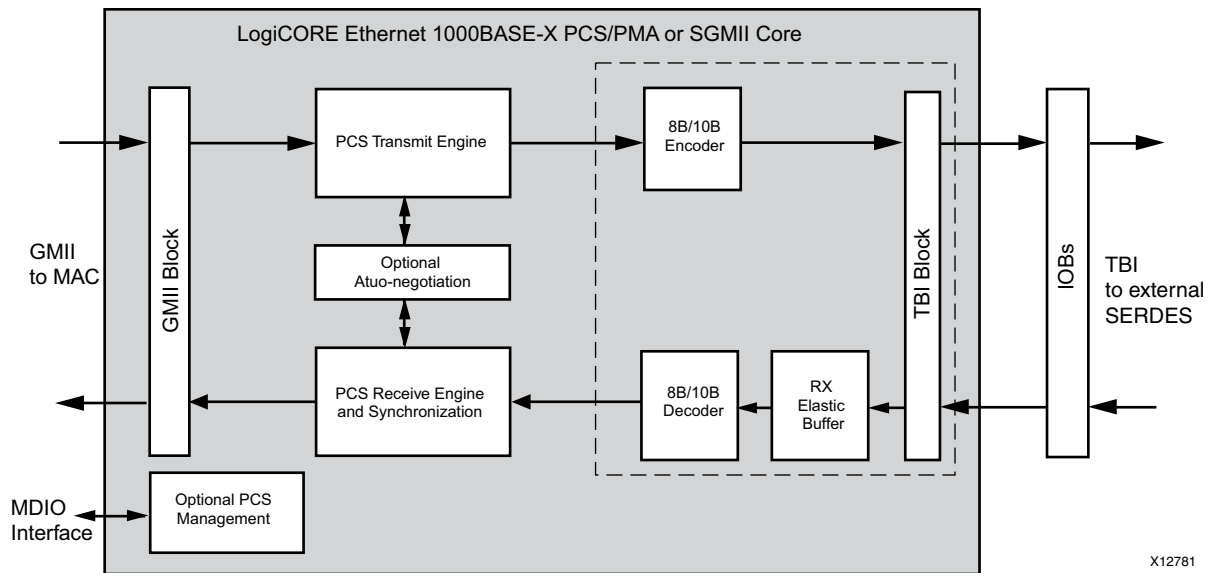


Figure 1-2: Block Diagram of the Ethernet 1000BASE-X PCS/PMA or SGMII Core with TBI

The optional TBI is used in place of the device-specific transceiver to provide a parallel interface for connection to an external PMA SerDes device, allowing an alternative implementation for families without device-specific transceivers. In this implementation, additional logic blocks are required in the core to replace some of the device-specific transceiver functionality. These blocks are surrounded by a dashed line (see Figure 1-2). Other blocks are identical to those previously defined.

Zynq-7000, Artix-7 and Virtex-7 devices do not support TBI. Kintex-7 devices support TBI at 3.3 V or lower.

8B/10B Encoder

8B/10B encoding, as defined in IEEE 802.3-2008 specification (Tables 36-1a to 36-1e and Table 36-2), is implemented in a block SelectRAM™ memory, configured as ROM, and used as a large look-up table.

8B/10B Decoder

8B/10B decoding, as defined in IEEE 802.3-2008 specification (Tables 36-1a to 36-1e and Table 36-2), is implemented in a block SelectRAM memory, configured as ROM, and used as a large look-up table.

Receiver Elastic Buffer

The Receiver Elastic Buffer enables the 10-bit parallel TBI data, received from the PMA sublayer synchronously to the TBI receiver clocks, to be transferred onto the core internal 125 MHz clock domain.

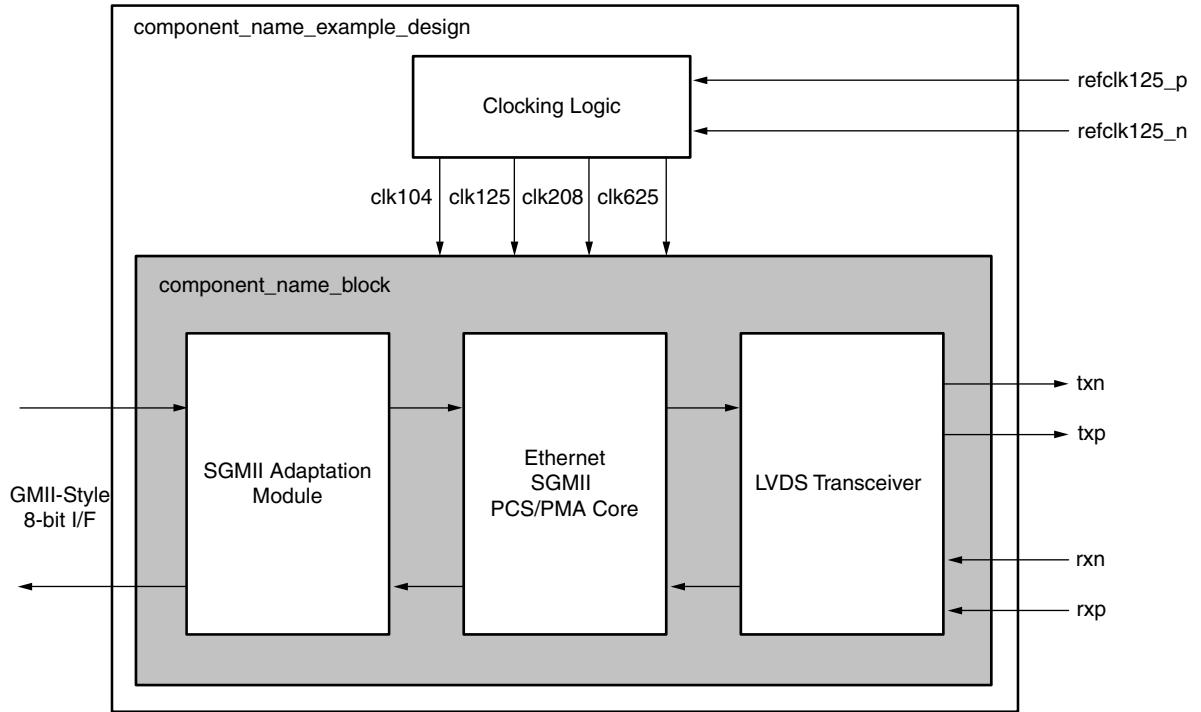
The Receiver Elastic Buffer is an asynchronous First In First Out (FIFO) implemented in internal RAM. The operation of the Receiver Elastic Buffer attempts to maintain a constant occupancy by inserting or removing Idle sequences as necessary. This causes no corruption to the frames of data.

TBI Block

The core provides a TBI interface, which should be routed to device IOBs to provide an off-chip TBI.

Synchronous SGMII over Zynq-7000 and 7 Series Device LVDS

Kintex-7 and Virtex-7 devices, -2 speed grade or higher on HR Banks and -1 or higher for HP Banks, can fully support SGMII using standard LVDS SelectIO technology logic resources. Artix-7 devices, -2 speed grade or higher, can fully support SGMII using standard LVDS SelectIO technology logic resources. Zynq-7000 devices, -2 speed grade or faster for XC7Z010/20 devices and -1 speed grade or faster for XC7Z030/45/100 devices, can fully support SGMII using standard LVDS SelectIO technology logic resources. This enables direct connection to external PHY devices without the use of an FPGA Transceiver. This implementation is illustrated in [Figure 1-3](#).



X12959

Figure 1-3: Block Diagram of the Core with Standard SelectIO Technology Support for SGMII

The core netlist in this implementation remains identical to that of Figure 1-1 and all core netlist blocks are identical to those described in Ethernet 1000BASE-X PCS/PMA or SGMII Support Using a Device Specific Transceiver.

As illustrated in Figure 1-3, the Hardware Description Language (HDL) example design for this implementation provides additional logic to form the "LVDS transceiver." The LVDS transceiver block fully replaces the functionality otherwise provided by a 7 series FPGA GTP/GTX/GTH transceiver. This is only possible at a serial line rate of 1.25 Gb/s. See Figure 1-4 for a block diagram of the LVDS transceiver.

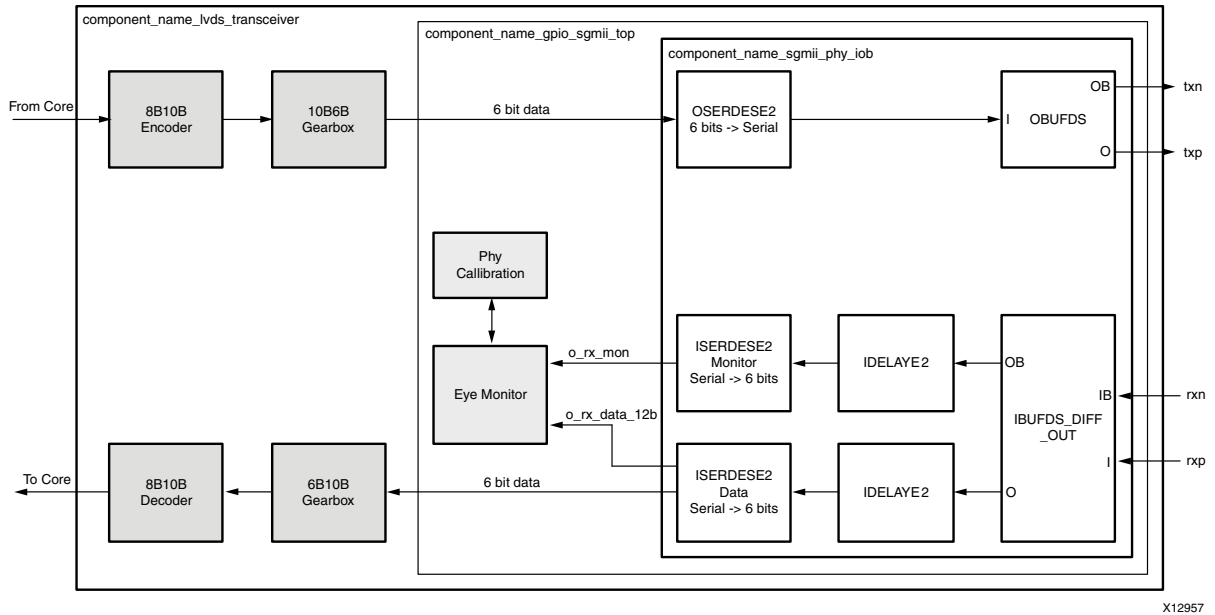


Figure 1-4: LVDS Transceiver Block Level Representation

The following subsections describe design requirements.

SGMII Only

The interface implemented using this method supports SGMII between the FPGA and an external PHY device; the interface cannot directly support 1000BASE-X.

Supported Devices

- Kintex-7 devices, -2 speed grade or faster for devices with HR Banks or -1 speed grade or faster for devices with HP banks.
- Virtex-7 devices, -2 speed grade or faster for devices with HR Banks or -1 speed grade or faster for devices with HP banks.
- Artix-7 devices, -2 speed grade or faster.
- Zynq-7000 Devices, -2 speed grade or faster for XC7Z010/20 devices and -1 speed grade or faster for XC7Z030/45/100 devices.

Recommended for Chip-to-Chip Copper Implementations Only

This interface supports an SGMII link between the FPGA and an external PHY device across a single PCB; keep the SGMII copper signal lengths to a minimum.

SGMII Support Using Asynchronous Oversampling over 7 Series FPGAs LVDS

See *LVDS 4x Asynchronous Oversampling Using 7 Series FPGAs* (XAPP523) [Ref 3] for information about 7 series devices using asynchronous oversampling.

SGMII Only

The interface implemented using this asynchronous oversampling method supports SGMII between the FPGA and an external PHY device; the interface cannot directly support 1000BASE-X.

Receiver UI Specification



IMPORTANT: *The DRU must have at least two valid sampling points per data bit, requiring 0.5 UI of opening. The settings of the FPGA add 0.125 UI of requirement making a total opening requirement at the receiver of 0.625 UI.*

Recommended for Chip-to-Chip Copper Implementations Only

This interface supports an SGMII link between the FPGA and an external PHY device across a single PCB; keep the SGMII copper signal lengths to a minimum.

Recommended Design Experience

Although the Ethernet 1000BASE-X PCS/PMA or SGMII core is a fully-verified solution, the challenge associated with implementing a complete design varies depending on the configuration and functionality of the application. For best results, previous experience building high-performance, pipelined Field Programmable Gate Array (FPGA) designs using Xilinx implementation software with the Xilinx Design Constraints (XDC) is recommended.

Contact your local Xilinx representative for a closer review and estimation for your specific requirements.

Applications

Typical applications for the Ethernet 1000BASE-X PCS/PMA or SGMII core include the following:

- [Ethernet 1000BASE-X](#)
- [Serial-GMII](#)

Ethernet 1000BASE-X

Figure 1-5 illustrates a typical application for the Ethernet 1000BASE-X PCS/PMA or SGMII core with the core operating to the 1000BASE-X standard using a device-specific transceiver to provide the Physical Coding Sublayer (PCS) and Physical Medium Attachment (PMA) sublayers for 1-Gigabit Ethernet.

- The PMA is connected to an external off-the-shelf Gigabit Interface Converter (GBIC) or Small Form-Factor Pluggable (SFP) optical transceiver to complete the Ethernet port.
- The GMII of the Ethernet 1000BASE-X PCS/PMA is connected to an embedded Ethernet Media Access Controller (MAC), for example, the Xilinx Tri-Mode Ethernet MAC core in all supported devices or Ethernet MAC (EMAC0 or EMAC1) present in the Zynq-7000 AP SoC processor subsystem (PS).

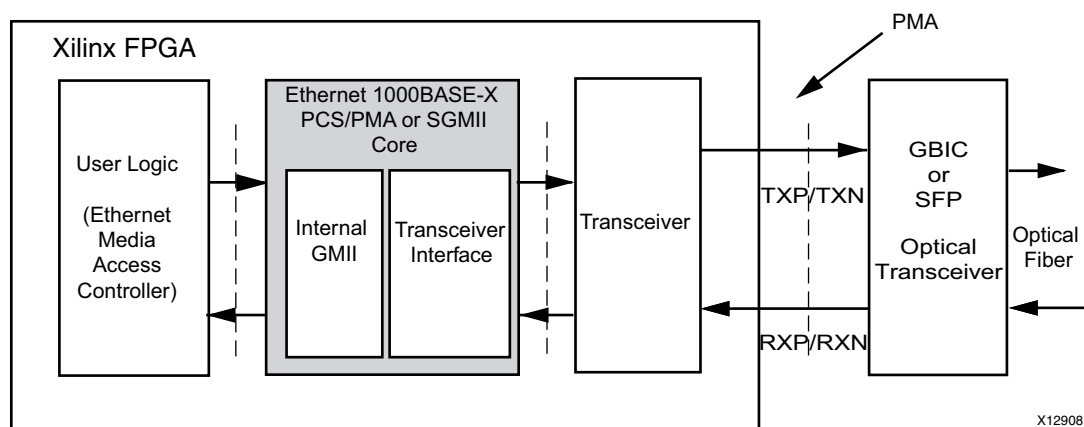


Figure 1-5: Typical 1000BASE-X Application

Serial-GMII

Ethernet 1000BASE-X PCS/PMA or SGMII core can operate in two modes as shown in the following subsections.

GMII to SGMII Bridge

Figure 1-6 illustrates a typical application for the Ethernet 1000BASE-X PCS/PMA or SGMII core, which shows the core providing a GMII to SGMII bridge using a device-specific transceiver to provide the serial interface.

- The device-specific transceiver is connected to an external off-the-shelf Ethernet PHY device that also supports SGMII. (This can be a tri-mode PHY providing 10BASE-T, 100BASE-T, and 1000BASE-T operation.)
- The GMII of the Ethernet 1000BASE-X PCS/PMA or SGMII core is connected to an embedded Ethernet MAC, for example, the Xilinx Tri-Mode Ethernet MAC core in all supported devices or Ethernet MAC (EMAC0 or EMAC1) present in the Zynq-7000 AP SoC processor subsystem (PS).

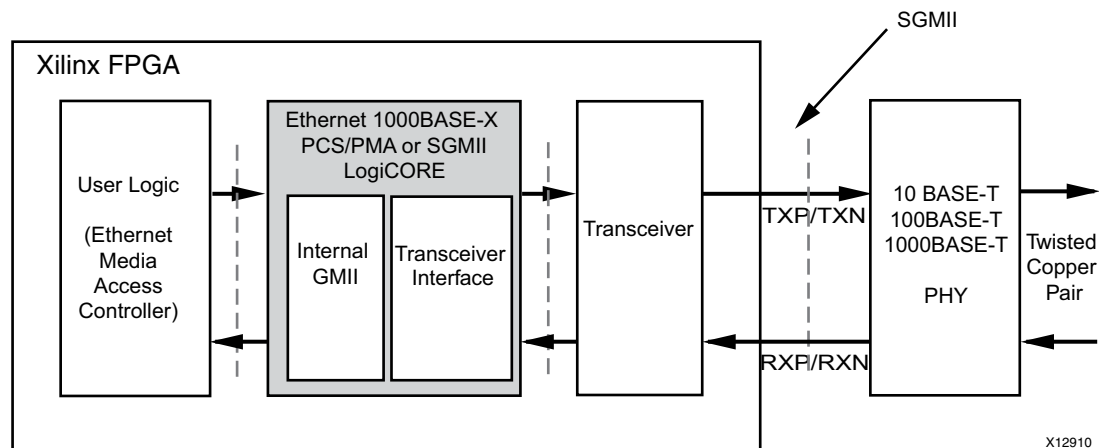


Figure 1-6: Typical Application for GMII to SGMII Bridge Mode

SGMII to GMII Bridge

Figure 1-7 illustrates a typical application for the Ethernet 1000BASE-X PCS/PMA or SGMII core, which shows the core providing a SGMII to GMII bridge using a device-specific transceiver to provide the serial interface.

- The device-specific transceiver is connected to an external off-the-shelf Ethernet MAC device that also supports SGMII. (This can be a tri-mode MAC providing 10/100/1000 Mb/s operation, for example, the Xilinx Tri-Mode Ethernet MAC core connected to 1000BASE-X PCS/PMA or SGMII core operating in GMII to SGMII Mode)
- The GMII of the Ethernet 1000BASE-X PCS/PMA or SGMII core is connected to a tri-mode PHY providing 10BASE-T, 100BASE-T, and 1000BASE-T operation.

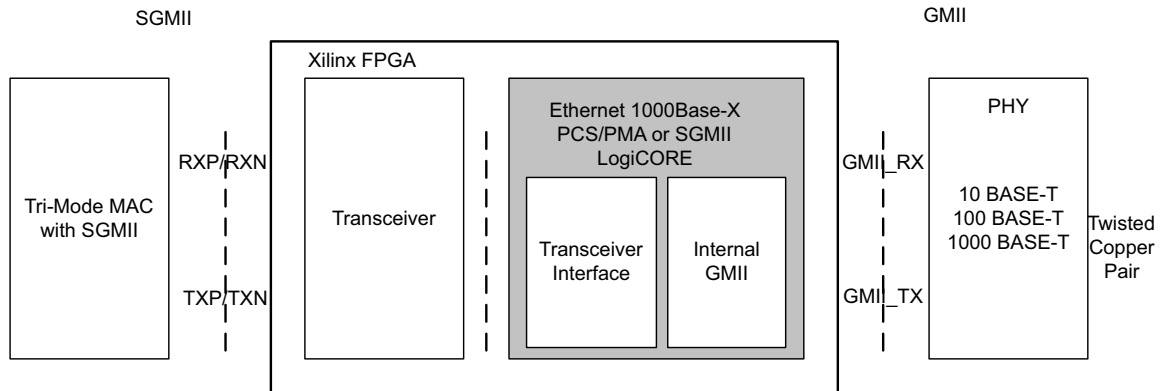


Figure 1-7: Typical Application for SGMII to GMII Bridge Mode

Verification

The Ethernet 1000BASE-X PCS/PMA or SGMII core has been verified with extensive simulation and hardware verification.

Simulation

A highly parameterizable transaction-based test bench was used to test the core. The tests included the following:

- Register access
- Loss of synchronization
- Auto-negotiation and error handling
- Frame transmission and error handling
- Frame reception and error handling
- Clock compensation in the elastic buffers

Zynq-7000, Virtex-7, Kintex-7, and Artix-7 device designs incorporating a device-specific transceiver require a Verilog LRM-IEEE 1364-2005 encryption-compliant simulator. For VHDL simulation, a mixed hardware description language (HDL) license is required.

Hardware Verification

The core has been tested in several hardware test platforms at Xilinx to represent a variety of parameterizations, including the following:

- The core used with a device-specific transceiver and performing the 1000BASE-X standard has been tested with the Xilinx Tri-Mode Ethernet MAC core, which follows the architecture shown in [Figure 1-5](#). A test platform was built around these cores, including a back-end FIFO capable of performing a simple ping function, and a test pattern generator. Software running on the embedded PowerPC® processor provided access to all configuration and status registers. Version 3.0 of this core was taken to the University of New Hampshire Interoperability Lab (UNH IOL) where conformance and interoperability testing was performed.
- The core used with a device-specific transceiver and performing the SGMII standard has been tested with the LogiCORE™ IP Tri-Mode Ethernet MAC core. This was connected to an external PHY capable of performing 10BASE-T, 100BASE-T, and 1000BASE-T, and the system was tested at all three speeds. This follows the architecture shown in [Figure 1-6](#) and also includes the PowerPC-based processor test platform described previously.

Licensing and Ordering Information

This Xilinx LogiCORE IP module is provided at no additional cost with the Xilinx Vivado® Design Suite under the terms of the [Xilinx End User License](#). Information about this and other Xilinx LogiCORE IP modules is available at the [Xilinx Intellectual Property](#) page. For information about pricing and availability of other Xilinx LogiCORE IP modules and tools, contact your [local Xilinx sales representative](#).

Product Specification

Overview of Ethernet Architecture

Figure 2-1 illustrates the 1-Gigabit Ethernet PCS and PMA sublayers provided by this core, which are part of the Ethernet architecture. The part of this architecture, from the Ethernet MAC to the right, is defined in the IEEE 802.3-2008 specification. This figure also shows where the supported interfaces fit into the architecture.

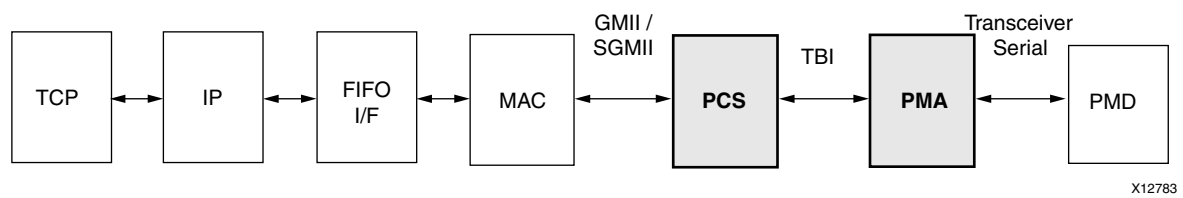


Figure 2-1: Overview of Ethernet Architecture

MAC

The Ethernet Media Access Controller (MAC) is defined in IEEE 802.3-2008, clauses 2, 3, and 4. A MAC is responsible for the Ethernet framing protocols and error detection of these frames. The MAC is independent of, and can connect to, any type of physical layer device.

GMII / SGMII

The Gigabit Media Independent Interface (GMII), a parallel interface connecting a MAC to the physical sublayers (PCS, PMA, and PMD), is defined in IEEE 802.3-2008, clause 35. For a MAC operating at a speed of 1 Gigabit per second (Gb/s), the full GMII is used; for a MAC operating at a speed of 10 Mb/s or 100 Mb/s, the GMII is replaced with a Media Independent Interface (MII) that uses a subset of the GMII signals.

The Serial-GMII (SGMII) is an alternative interface to the GMII/MII that converts the parallel interface of the GMII/MII into a serial format capable of carrying traffic at speeds of 10 Mb/s, 100 Mb/s, and 1 Gb/s. This radically reduces the I/O count and for this reason is often preferred by Printed Circuit Board (PCB) designers. The SGMII specification is closely related to the 1000BASE-X PCS and PMA sublayers, which enables it to be offered in this core.

PCS

The Physical Coding Sublayer (PCS) for 1000BASE-X operation is defined in IEEE 802.3-2008, clauses 36 and 37, and performs these operations:

- Encoding (and decoding) of GMII data octets to form a sequence of ordered sets
- 8B/10B encoding (and decoding) of the sequence ordered sets
- 1000BASE-X Auto-Negotiation for information exchange with the link partner

Ten Bit Interface

The Ten-Bit Interface, defined in IEEE 802.3-2008 clause 36 is a parallel interface connecting the PCS to the PMA and transfers the 8B/10B encoded sequence-ordered sets. The TBI should be used with an external SerDes device to implement the PMA functionality.

Physical Medium Attachment

The Physical Medium Attachment (PMA) for 1000BASE-X operation, defined in IEEE 802.3-2008 clause 36, performs the following:

- Serialization (and deserialization) of code-groups for transmission (and reception) on the underlying serial Physical Medium Dependent (PMD)
- Recovery of the clock from the 8B/10B-coded data supplied by the PMD

The device-specific transceivers provide the serial interface required to connect the PMD.

Physical Medium Dependent

The PMD sublayer is defined in IEEE 802.3-2008 clause 38 for 1000BASE-LX and 1000BASE-SX (long and short wavelength laser). This type of PMD is provided by the external GBIC or SFP optical transceivers. An alternative PMD for 1000BASE-CX (short-haul copper) is defined in IEEE 802.3-2008 clause 39.

Standards

- Ethernet Standard 802.3-2008 Clauses 35, 36 and 38 [Ref 4]
- Ethernet Standard 802.3-2008 Clause 22 [Ref 5]
- *Serial-GMII Specification V1.7* (CISCO SYSTEMS, ENG-46158) [Ref 1]

Performance

This section details the performance information for various core configurations.

Maximum Frequencies

1000Base-X PCS/PMA or SGMII core operates at 125 MHz.

Core Latency

The stand-alone core does not meet all the latency requirements specified in IEEE 802.3-2008 because of the latency of the Elastic Buffers in both TBI and device-specific transceiver versions. However, the core can be used for backplane and other applications where strict adherence to the IEEE latency specification is not required.

Where strict adherence to the IEEE 802.3-2008 specification is required, the core can be used with an Ethernet MAC core that is within the IEEE specified latency for a MAC sublayer. For example, when the core is connected to the Xilinx Tri-Mode Ethernet MAC core, the system as a whole is compliant with the overall IEEE 802.3-2008 latency specifications.

Latency for 1000BASE-X PCS with TBI

The following measurements are for the core only and do not include any IOB registers or the Transmitter Elastic Buffer added in the example design.

Transmit Path Latency

As measured from a data octet input into `gmi_i_txd[7:0]` of the transmitter side GMII until that data appears on `tx_code_group[9:0]` on the TBI interface, the latency through the core in the transmit direction is 5 clock periods of `gtx_clk`.

Receive Path Latency

Measured from a data octet input into the core on `rx_code_group0[9:0]` or `rx_code_group1[9:0]` from the TBI interface (until that data appears on `gmi_i_rxd[7:0]` of the receiver side GMII), the latency through the core in the receive direction is equal to 16 clock periods of `gtx_clk`, plus an additional number of clock cycles equal to the current value of the Receiver Elastic Buffer.

The Receiver Elastic Buffer is 32 words deep. The nominal occupancy will be at half-full, thereby creating a nominal latency through the receiver side of the core equal to $16 + 16 = 32$ clock cycles of `gtx_clk`.

Latency for 1000BASE-X PCS and PMA Using a Transceiver

These measurements are for the core only; they do not include the latency through the device-specific transceiver or the Transmitter Elastic Buffer added in the example design.

Transmit Path Latency

As measured from a data octet input into `gmii_txd[7:0]` of the transmitter side GMII (until that data appears on `txdata[7:0]` on the serial transceiver interface), the latency through the core in the transmit direction is 4 clock periods of `userclk2`.

Receive Path Latency

As measured from a data octet input into the core on `rxdata[7:0]` from the serial transceiver interface (until that data appears on `gmii_rxd[7:0]` of the receiver side GMII), the latency through the core in the receive direction is six clock periods of `userclk2`.

Latency for SGMII

When performing the SGMII standard, the core latency figures are identical to the Latency for 1000BASE-X PCS and PMA using the serial transceiver. Again these figures do not include the latency through the serial transceiver or any Elastic Buffers added in the example design.

Throughput

1000BASE-X PCS and PMA or SGMII core operates at a full lane rate of 1.25 Gb/s.

Voltage Requirements

Virtex®-7 devices support GMII at 3.3 V or lower only in certain parts and packages; see the *7 Series FPGAs SelectIO Resources User Guide* (UG471) [Ref 2]. Kintex®-7 devices support TBI and GMII at 3.3 V or lower. Artix®-7 and Zynq®-7000 devices support GMII at 3.3 V or lower.

Speed Grades

Kintex Ultrascale™, Zynq-7000, Virtex-7, Kintex-7, and Artix-7 devices support speed grade -1 and faster for GT transceiver interface.

For SGMII LVDS interface, see [Synchronous SGMII over Zynq-7000 and 7 Series Device LVDS in Chapter 1](#).

Resource Utilization

Note: UltraScale™ architecture results are expected to be similar to 7 series device results.

Resources required for this core have been estimated for the Zynq-7000, Virtex-7, Kintex-7, and Artix-7 devices, See [Table 2-2](#) through [Table 2-17](#). These values were generated using Vivado® Design Suite.

Table 2-1: Family Support for the 1000BASE-X PCS/PMA or SGMII Core

Device Family	LogiCORE IP Functionality							
	1000BASE-X		GMII to SGMII Bridge or SGMII to GMII Bridge				1000BASE-X and SGMII Standards with Dynamic Switching	
	With TBI	Using Device Specific Transceiver	With TBI	Using Device Specific Transceiver	Using Synchronous LVDS SelectIO	Using Asynchronous LVDS SelectIO	With TBI	Using Device Specific Transceiver
Zynq-7000	Not Supported	Supported	Not Supported	Supported	Supported	Not supported	Not Supported	Supported
Virtex-7	Not Supported	Supported	Not Supported	Supported	Supported in -2 speed grade and faster parts for HR banks; -1 speed grade and faster for HP banks	Available through XAPP523 [Ref 3]	Not Supported	Supported

Table 2-1: Family Support for the 1000BASE-X PCS/PMA or SGMII Core (Cont'd)

Device Family	LogiCORE IP Functionality							
	1000BASE-X		GMII to SGMII Bridge or SGMII to GMII Bridge				1000BASE-X and SGMII Standards with Dynamic Switching	
	With TBI	Using Device Specific Transceiver	With TBI	Using Device Specific Transceiver	Using Synchronous LVDS SelectIO	Using Asynchronous LVDS SelectIO	With TBI	Using Device Specific Transceiver
Kintex-7	Supported	Supported	Supported	Supported	Supported in -2 speed grade and faster parts for HR banks; -1 speed grade and faster for HP banks	Available through XAPP523 [Ref 3]	Supported	Supported
Artix-7	Not Supported	Supported	Not Supported	Supported	Supported in -2 speed grades and faster.	Not supported	Not Supported	Supported

Zynq-7000, Virtex-7, Kintex-7, and Artix-7 families contain six input LUTs. Utilization figures are obtained by implementing the block-level wrapper for the core. This wrapper is part of the example design and connects the core to the selected physical interface.

BUFG Usage

- BUFG usage does not consider multiple instantiations of the core, where clock resources can often be shared.
- BUFG usage does not include the reference clock required for IDELAYCTRL. This clock source can be shared across the entire device and is not core specific.

Zynq-7000 Devices

1000BASE-X

Table 2-2: Device Utilization for the 1000BASE-X Standard

Parameter Values				Device Resources			
Physical Interface		MDIO Interface	Auto-Negotiation	Slices	LUTs	FFs	BUFGs
Transceiver	TBI						
Yes	No	Yes	Yes	376	604	896	0
Yes	No	Yes	No	299	400	682	0
Yes	No	No	Yes	330	496	824	0
Yes	No	No	No	279	376	660	0

1. The number of BUFGs indicated are at the block level of the core.
2. Additional BUFGs are required to drive `txoutclk`, `independent_clock`, `userclk`, and `userclk2`.
3. These BUFGs can be shared across multiple instances of the core.

SGMII Bridge

Table 2-3: Device Utilization for the GMII to SGMII or SGMII to GMII Bridge

Parameter Values				Device Resources			
Physical Interface		MDIO Interface	Auto-Negotiation	Slices	LUTs	FFs	BUFGs
Transceiver	TBI						
Yes	No	Yes	Yes	424	573	1027	0
Yes	No	Yes	No	300	387	679	0
Yes	No	No	Yes	342	471	778	0
Yes	No	No	No	312	447	738	0

1. The number of BUFGs indicated are at the block level of the core.
2. Additional BUFGs are required to drive `txoutclk`, `independent_clock`, `userclk`, and `userclk2`.
3. BUFGs specified in 2 can be shared across multiple instances of the core.
4. Additional BUFGs can be added for `rxoutclk`. Alternately a BUFGMR and BUFR in series can be used. BUFG is added by default if you select **Include Shared Logic in Core**, otherwise you can manually instantiate the BUFGs. This is mandatory in case the fabric elastic buffer is used.

1000BASE-X and SGMII Standards with Dynamic Switching

Table 2-4: Device Utilization for 1000BASE-X and SGMII Standards with Dynamic Switching

Parameter Values				Device Resources			
Physical Interface		MDIO Interface	Auto-Negotiation	Slices	LUTs	FFs	BUFGs
Transceiver	TBI						
Yes	No	Yes	Yes	444	698	1027	0
Yes	No	Yes	No	339	493	821	0
Yes	No	No	Yes	386	595	924	0
Yes	No	No	No	312	447	738	0

1. The number of BUFGs indicated are at the block level of the core.
2. Additional BUFGs are required to drive `txoutclk`, `independent_clock`, `userclk`, and `userclk2`.
3. BUFGs specified in 2 can be shared across multiple instances of the core.
4. Additional BUFGs can be added for `rxoutclk`. Alternately a BUFGMR and BUFR in series can be used. BUFG is added by default if you select **Include Shared Logic in Core**; otherwise you can manually instantiate the BUFGs. This is mandatory in case fabric elastic buffer is used.

SGMII Standard over LVDS interface

Table 2-5: Device Utilization for SGMII Standard over LVDS interface

Parameter Values			Device Resources			
Physical Interface	MDIO Interface	Auto- Negotiation	Slices	LUTs	FFs	BUFGs
LVDS						
Yes	Yes	Yes	395	919	939	0
Yes	Yes	No	334	781	772	0
Yes	No	Yes	354	829	836	0
Yes	No	No	285	732	707	0

1. The number of BUFGs indicated are at the block level of the core.
2. Additional BUFGs are required to drive `clk_fb`, `clk125`, `clk208`, `clk104`, and `clk625`.
3. BUFGs specified can be shared across multiple instances of the core depending on the implementation.

Virtex-7 Devices

1000BASE-X

Table 2-6: Device Utilization for the 1000BASE-X Standard

Parameter Values				Device Resources			
Physical Interface		MDIO Interface	Auto-Negotiation	Slices	LUTs	FFs	BUFGs
Transceiver	TBI						
Yes	No	Yes	Yes	370	604	896	0
Yes	No	Yes	No	288	400	682	0
Yes	No	No	Yes	349	491	794	0
Yes	No	No	No	267	358	630	0

1. The number of BUFGs indicated are at the block level of the core.
2. Additional BUFGs are required to drive `independent_clock`, `userclk` and `userclk2`.
3. These BUFGs can be shared across multiple instances of the core.

SGMII Bridge

Table 2-7: Device Utilization for the GMII to SGMII or SGMII to GMII Bridge

Parameter Values				Device Resources			
Physical Interface		MDIO Interface	Auto-Negotiation	Slices	LUTs	FFs	BUFGs
Transceiver	TBI						
Yes	No	Yes	Yes	340	566	851	0
Yes	No	Yes	No	306	487	790	0
Yes	No	No	Yes	354	564	894	0
Yes	No	No	No	286	446	738	0

1. The number of BUFGs indicated are at the block level of the core.
2. Additional BUFGs are required to drive `independent_clock`, `userclk`, and `userclk2`.
3. BUFGs specified in 2 can be shared across multiple instances of the core.
4. Additional BUFGs can be added for `rxoutclk`. Alternately a BUFGMR and BUFR in series can be used. BUFG is added by default if you select **Include Shared Logic in Core**; otherwise you can manually instantiate the BUFGs. This is mandatory in case fabric elastic buffer is used.

1000BASE-X and SGMII Standards with Dynamic Switching

Table 2-8: Device Utilization for 1000BASE-X and SGMII Standards with Dynamic Switching

Parameter Values				Device Resources			
Physical Interface		MDIO Interface	Auto-Negotiation	Slices	LUTs	FFs	BUFGs
Transceiver	TBI						
Yes	No	Yes	Yes	286	446	738	0
Yes	No	Yes	No	254	386	650	0
Yes	No	No	Yes	378	594	924	0
Yes	No	No	No	296	457	768	0

1. The number of BUFGs indicated are at the block level of the core.
2. Additional BUFGs are required to drive `independent_clock`, `userclk`, and `userclk2`.
3. BUFGs specified in 2 can be shared across multiple instances of the core.
4. Additional BUFGs can be added for `rxoutclk`. Alternately a BUFGMR and BUFR in series can be used. BUFG is added by default if you select **Include Shared Logic in Core**; otherwise you can manually instantiate the BUFGs. This is mandatory in case fabric elastic buffer is used.

SGMII Standard over LVDS interface

Table 2-9: Device Utilization for SGMII Standard over LVDS interface

Parameter Values			Device Resources			
Physical Interface	MDIO Interface	Auto- Negotiation	Slices	LUTs	FFs	BUFGs
LVDS						
Yes	Yes	Yes	434	930	952	0
Yes	Yes	No	333	782	772	0
Yes	No	Yes	373	837	849	0
Yes	No	No	304	738	720	0

1. The number of BUFGs indicated are at the block level of the core.
2. Additional BUFGs are required to drive `clk_fb`, `clk125`, `clk208`, `clk104`, and `clk625`.
3. BUFGs specified can be shared across multiple instances of the core depending on the implementation.

Kintex-7 Devices

1000BASE-X

Table 2-10: Device Utilization for the 1000BASE-X Standard (Using Device Specific Transceivers or TBI)

Parameter Values				Device Resources			
Physical Interface		MDIO Interface	Auto-Negotiation	Slices	LUTs	FFs	BUFGs
Transceiver	TBI						
Yes	No	Yes	Yes	371	604	896	0
Yes	No	Yes	No	296	404	712	0
Yes	No	No	Yes	320	495	824	0
Yes	No	No	No	252	362	630	0
No	Yes	Yes	Yes	309	493	706	0
No	Yes	Yes	No	180	310	481	0
No	Yes	No	Yes	227	379	588	0
No	Yes	No	No	165	256	429	0

1. The number of BUFGs indicated are at the block level of the core.
2. Additional BUFGs are required to drive `txoutclk`, `independent_clock`, `userclk`, and `userclk2`.
3. These BUFGs can be shared across multiple instances of the core.
4. In case of TBI mode two BUFGs are required to drive `refclk` and `gtx_clk`. Notes 1-3 are not applicable in that case.

SGMII Bridge

Table 2-11: Device Utilization for the GMII to SGMII or SGMII to GMII Bridge (Using Device Specific Transceivers or TBI)

Parameter Values				Device Resources			
Physical Interface		MDIO Interface	Auto-Negotiation	Slices	LUTs	FFs	BUFGs
Transceiver	TBI						
Yes	No	Yes	Yes	358	566	851	0
Yes	No	Yes	No	350	490	820	0
Yes	No	No	Yes	347	565	894	0
Yes	No	No	No	313	457	768	0
No	Yes	Yes	Yes	256	484	684	0
No	Yes	Yes	No	184	313	471	0
No	Yes	No	Yes	215	385	565	0
No	Yes	No	No	165	274	419	0

1. The number of BUFGs indicated are at the block level of the core.
2. Additional BUFGs are required to drive `txoutclk`, `independent_clock`, `userclk`, and `userclk2`.
3. BUFGs specified in 2 can be shared across multiple instances of the core.
4. Additional BUFGs can be added for `rxoutclk`. Alternately a BUFGMR and BUFR in series can be used. BUFG is added by default if you select **Include Shared Logic in Core**; otherwise you can manually instantiate the BUFGs. This is mandatory in case fabric elastic buffer is used.
5. In case of TBI mode two BUFGs are required to drive `refclk` and `gtx_clk`. Notes 1-4 are not applicable in that case.

1000BASE-X and SGMII Standards with Dynamic Switching

Table 2-12: Device Utilization for 1000BASE-X and SGMII Standards with Dynamic Switching

Parameter Values				Device Resources			
Physical Interface		MDIO Interface	Auto-Negotiation	Slices	LUTs	FFs	BUFGs
Transceiver	TBI						
Yes	No	Yes	Yes	406	612	911	0
Yes	No	Yes	No	297	389	680	0
Yes	No	No	Yes	390	595	924	0
Yes	No	No	No	320	448	738	0
No	Yes	Yes	Yes	273	534	714	0
No	Yes	Yes	No	178	317	472	0
No	Yes	No	Yes	215	418	595	0
No	Yes	No	No	164	276	419	0

1. The number of BUFGs indicated are at the block level of the core.
2. Additional BUFGs are required to drive `txoutclk`, `independent_clock`, `userclk`, and `userclk2`.
3. BUFGs specified in 2 can be shared across multiple instances of the core.
4. Additional BUFGs can be added for `rxoutclk`. Alternately a BUFM and BUFR in series can be used. BUFG is added by default if you select **Include Shared Logic in Core**; otherwise you can manually instantiate the BUFGs. This is mandatory in case fabric elastic buffer is used.
5. In case of TBI mode two BUFGs are required to drive `refclk` and `gtx_clk`. Notes 1-4 are not applicable in that case.

SGMII Standards over LVDS interface

Table 2-13: Device Utilization for SGMII Standard over LVDS interface

Parameter Values			Device Resources			
Physical Interface	MDIO Interface	Auto- Negotiation	Slices	LUTs	FFs	BUFGs
LVDS						
Yes	Yes	Yes	400	918	939	0
Yes	Yes	No	332	774	759	0
Yes	No	Yes	344	828	836	0
Yes	No	No	311	739	720	0

1. The number of BUFGs indicated are at the block level of the core.
2. Additional BUFGs are required to drive `clk_fb`, `clk125`, `clk208`, `clk104`, and `clk625`.
3. BUFGs specified can be shared across multiple instances of the core depending on the implementation.

Artix-7 Devices

1000BASE-X

Table 2-14: Device Utilization for the 1000BASE-X Standard

Parameter Values				Device Resources			
Physical Interface		MDIO Interface	Auto-Negotiation	Slices	LUTs	FFs	BUFGs
Transceiver	TBI						
Yes	No	Yes	Yes	398	632	926	0
Yes	No	Yes	No	314	430	744	0
Yes	No	No	Yes	357	518	824	0
Yes	No	No	No	283	396	692	0

1. The number of BUFGs indicated are at the block level of the core.
2. Additional BUFGs are required to drive `txoutclk`, `independent_clock`, `userclk`, and `userclk2`.
3. These BUFGs can be shared across multiple instances of the core.

SGMII Bridge

Table 2-15: Device Utilization for the GMII to SGMII or SGMII to GMII Bridge

Parameter Values				Device Resources			
Physical Interface		MDIO Interface	Auto-Negotiation	Slices	LUTs	FFs	BUFGs
Transceiver	TBI						
Yes	No	Yes	Yes	377	596	913	0
Yes	No	Yes	No	279	413	711	0
Yes	No	No	Yes	337	497	810	0
Yes	No	No	No	322	471	768	0

1. The number of BUFGs indicated are at the block level of the core.
2. Additional BUFGs are required to drive `txoutclk`, `independent_clock`, `userclk`, and `userclk2`.
3. BUFGs specified in 2 can be shared across multiple instances of the core.
4. Additional BUFGs can be added for `rxoutclk`. Alternately a BUFGMR and BUFR in series can be used. BUFG is added by default if you select **Include Shared Logic in Core**; otherwise you can manually instantiate the BUFGs. This is mandatory in case fabric elastic buffer is used.

1000BASE-X and SGMII Standards with Dynamic Switching

Table 2-16: Device Utilization for 1000BASE-X and SGMII Standards with Dynamic Switching

Parameter Values				Device Resources			
Physical Interface		MDIO Interface	Auto-Negotiation	Slices	LUTs	FFs	BUFGs
Transceiver	TBI						
Yes	No	Yes	Yes	402	628	911	0
Yes	No	Yes	No	320	411	680	0
Yes	No	No	Yes	337	497	810	0
Yes	No	No	No	341	478	800	0

1. The number of BUFGs indicated are at the block level of the core.
2. Additional BUFGs are required to drive `txoutclk`, `independent_clock`, `userclk`, and `userclk2`.
3. BUFGs specified in 2 can be shared across multiple instances of the core.
4. Additional BUFGs can be added for `rxoutclk`. Alternately a BUFMR and BUFR in series can be used. BUFG is added by default if you select **Include Shared Logic in Core**; otherwise you can manually instantiate the BUFGs. This is mandatory in case fabric elastic buffer is used.

SGMII Standards over LVDS interface

Table 2-17: Device Utilization for SGMII Standard over LVDS interface

Parameter Values			Device Resources			
Physical Interface	MDIO Interface	Auto- Negotiation	Slices	LUTs	FFs	BUFGs
LVDS						
Yes	Yes	Yes	387	919	939	0
Yes	Yes	No	346	781	772	0
Yes	No	Yes	376	830	836	0
Yes	No	No	301	731	707	0

1. The number of BUFGs indicated are at the block level of the core.
2. Additional BUFGs are required to drive `clk_fb`, `clk125`, `clk208`, `clk104`, and `clk625`.
3. BUFGs specified can be shared across multiple instances of the core depending on the implementation.

The clocking logic is only required once for multiple SGMII cores.

Port Descriptions

Internal Encrypted Hierarchy of the Core Level Ports

All ports in the encrypted hierarchy of the core are internal connections in FPGA logic. Un-encrypted HDL in the core and block level design (delivered with the core) connects the core, where appropriate, to a device-specific transceiver, LVDS transceiver logic and/or add IBUFs, OBUFs. IOB flip-flops to the external signals of the GMII and TBI. IOBs are added to the remaining unconnected ports to take the block level design through the Xilinx implementation software.

All clock management logic is placed in example design, allowing you more flexibility in implementation (such as designs using multiple cores). Example design is provided in both VHDL and Verilog.

For more information on the example design provided, see one of the following chapters depending on your chosen standard and physical interface.

- [Chapter 4, The Ten-Bit Interface](#)
- [Chapter 5, 1000BASE-X with Transceivers](#)
- [Chapter 6, SGMII / Dynamic Standards Switching with Transceivers](#)
- [Chapter 7, SGMII over LVDS](#)

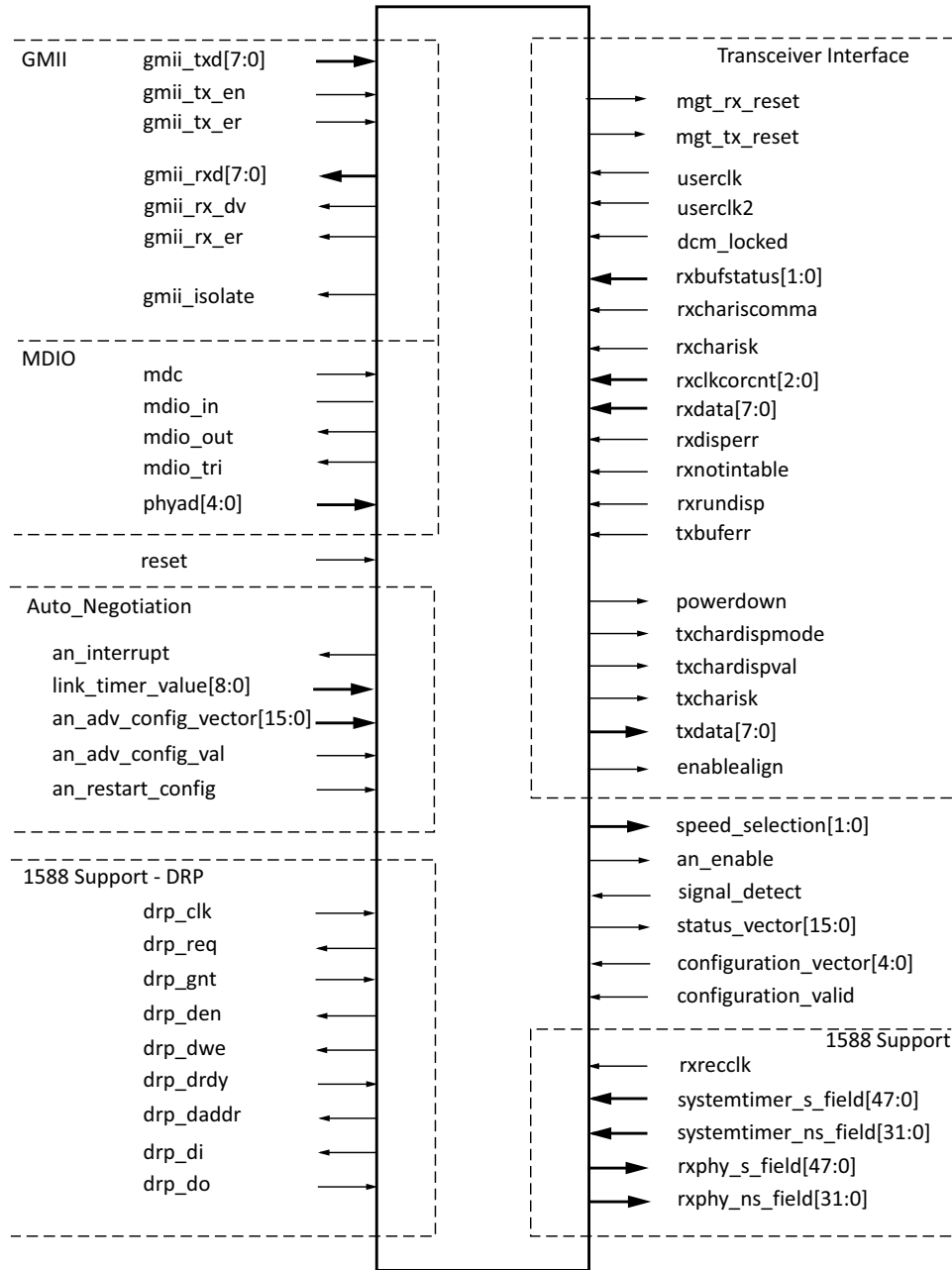
Figure 2-2 shows the pinout for the Ethernet 1000BASE-X PCS/PMA or SGMII core using a device-specific transceiver, or LVDS transceiver logic, *with* the optional PCS Management registers. The signals shown in the Auto-Negotiation box are included only when the core includes the Auto-Negotiation functionality. For 7 series and Zynq-7000 devices, data width of `rxdata` and `txdata` signals received from the device-specific transceiver is 16 bits. A conversion logic is used to convert to 8 bits for core interface. For more information, see [Chapter 13, Customizing and Generating the Core](#).

Note: `EXAMPLE_SIMULATION` generic is provided in all modes to reduce simulation time. In simulation, the value of `EXAMPLE_SIMULATION` should be 1. In implementation, the value of `EXAMPLE_SIMULATION` should be 0. To change the `EXAMPLE_SIMULATION` attribute, you need to give the following command before the generation of output products:

```
set_property CONFIG.EXAMPLE_SIMULATION {1} [get_ips <component_name>]
```



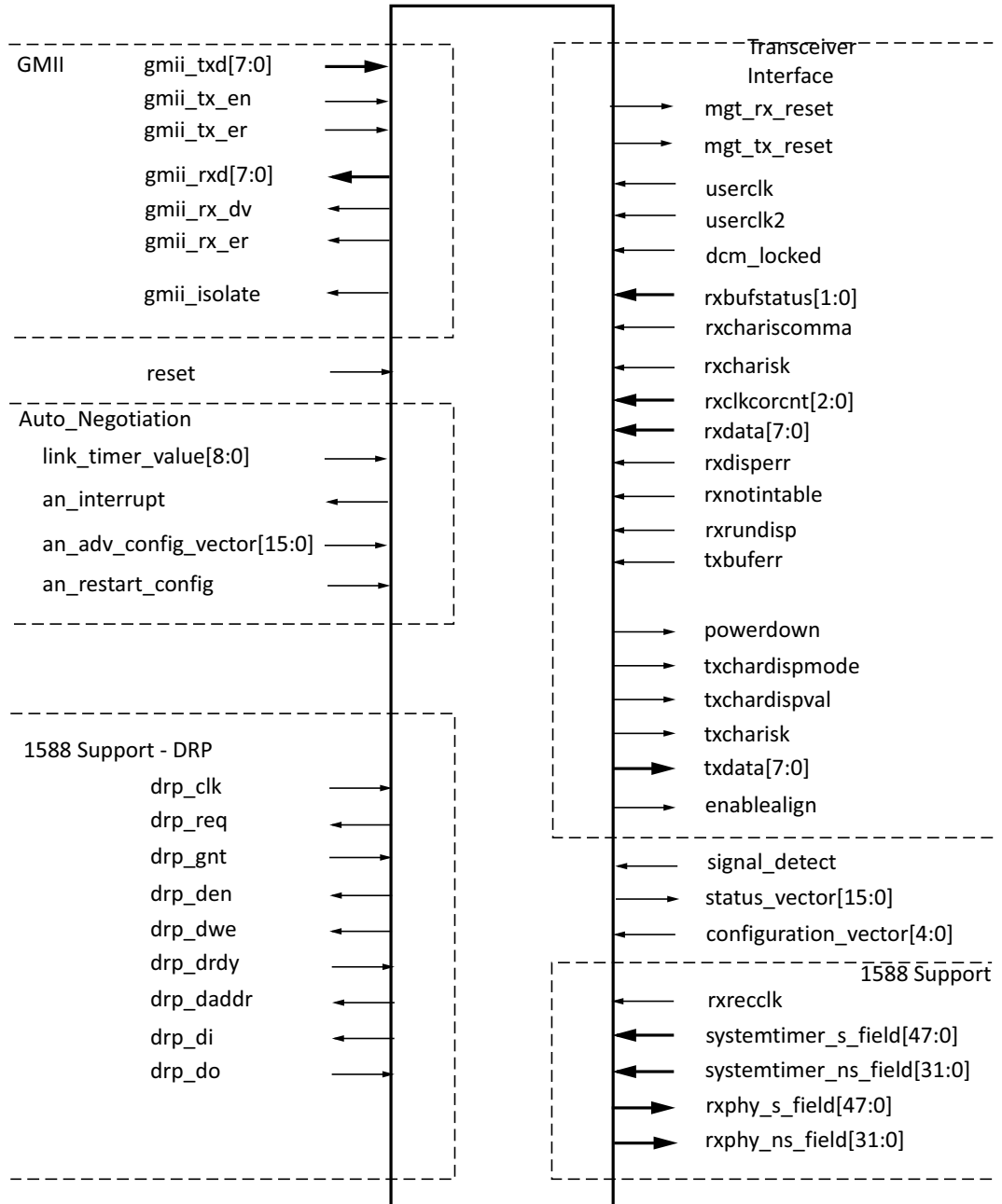
IMPORTANT: `EXAMPLE_SIMULATION` generic should be set to 1 only in case of simulation. In synthesis this should be again reset to 0.



X12835

Figure 2-2: PCS/PMA Core Pinout Using a Transceiver with PCS Management Registers

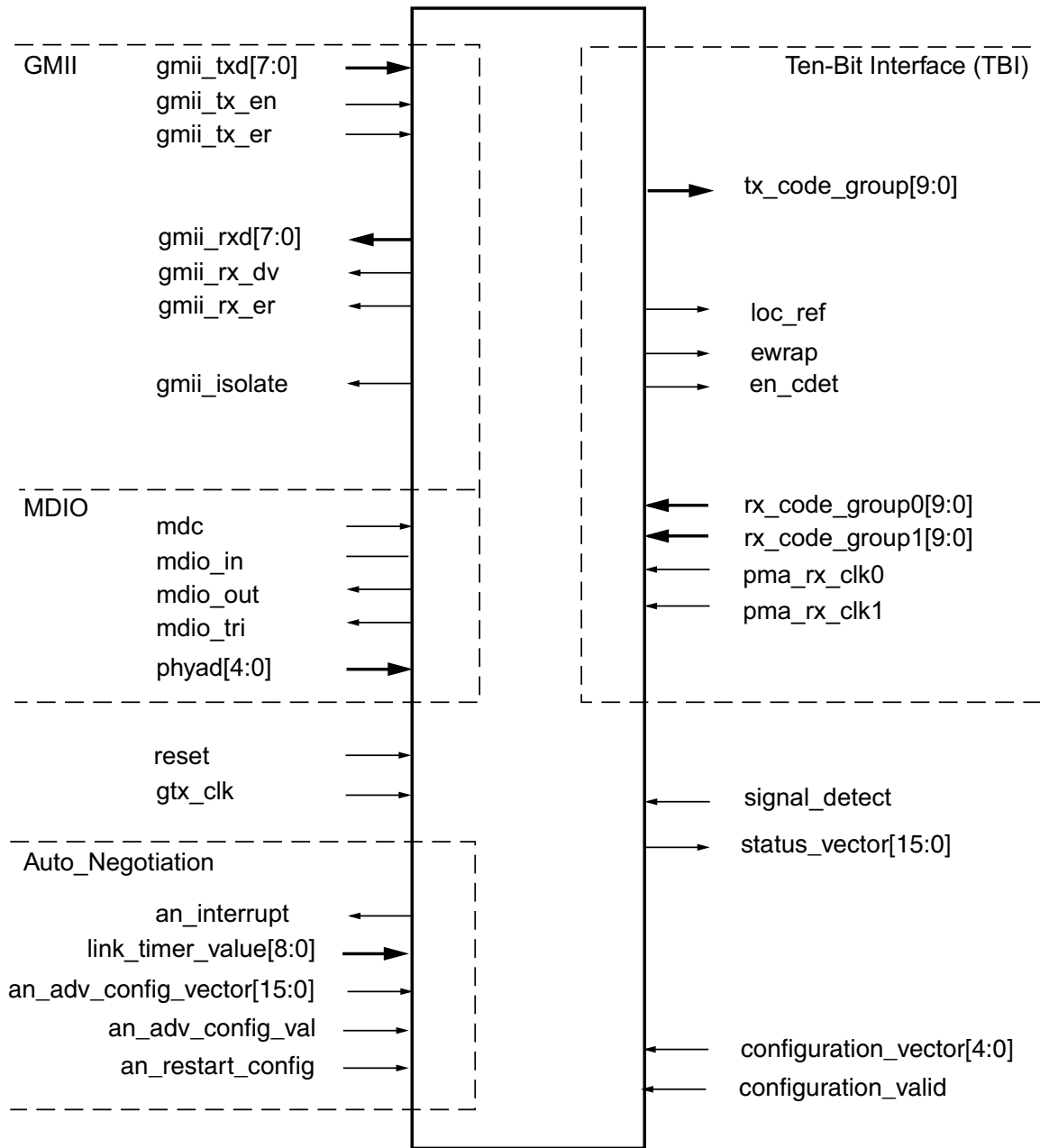
Figure 2-3 shows the pinout for the Ethernet 1000BASE-X PCS/PMA or SGMII core using a device-specific transceiver, or LVDS transceiver logic without the optional PCS Management registers. For 7 series and Zynq-7000 devices, data width of rxdata and txdata signals received from the device-specific transceiver is 16 bits. A conversion logic is used to convert to 8 bits for core interface.



X12836

Figure 2-3: PCS/PMA Core Pinout Using a Transceiver *without* PCS Management Registers

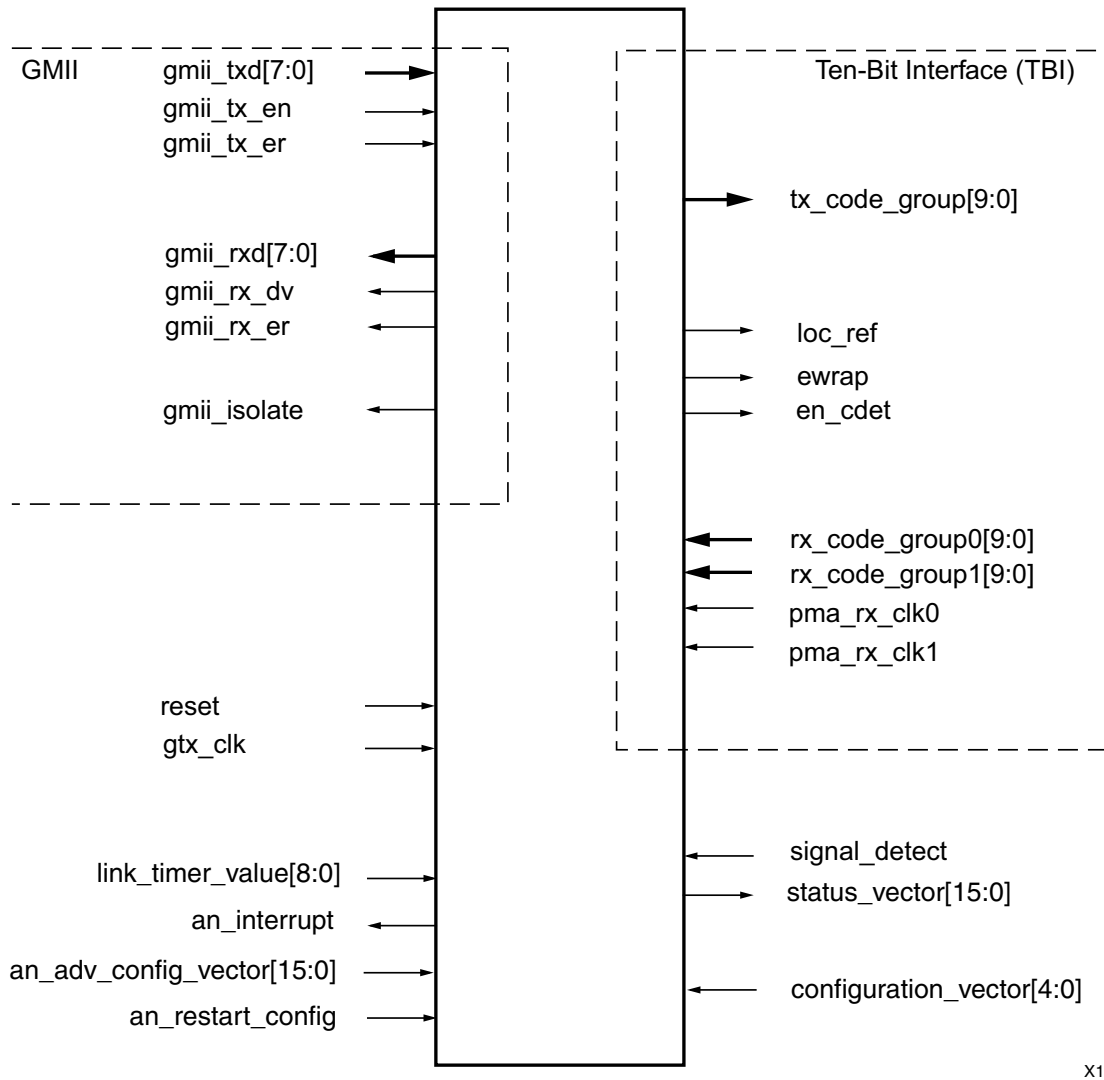
Figure 2-4 shows the pinout for the Ethernet 1000BASE-X PCS/PMA or SGMII core when using the TBI with optional PCS Management registers. The signals shown in the Auto-Negotiation box are included only when the core includes the Auto-Negotiation functionality (see Chapter 13, Customizing and Generating the Core).



X12837

Figure 2-4: Component Pinout Using the Ten-Bit Interface with PCS Management Registers

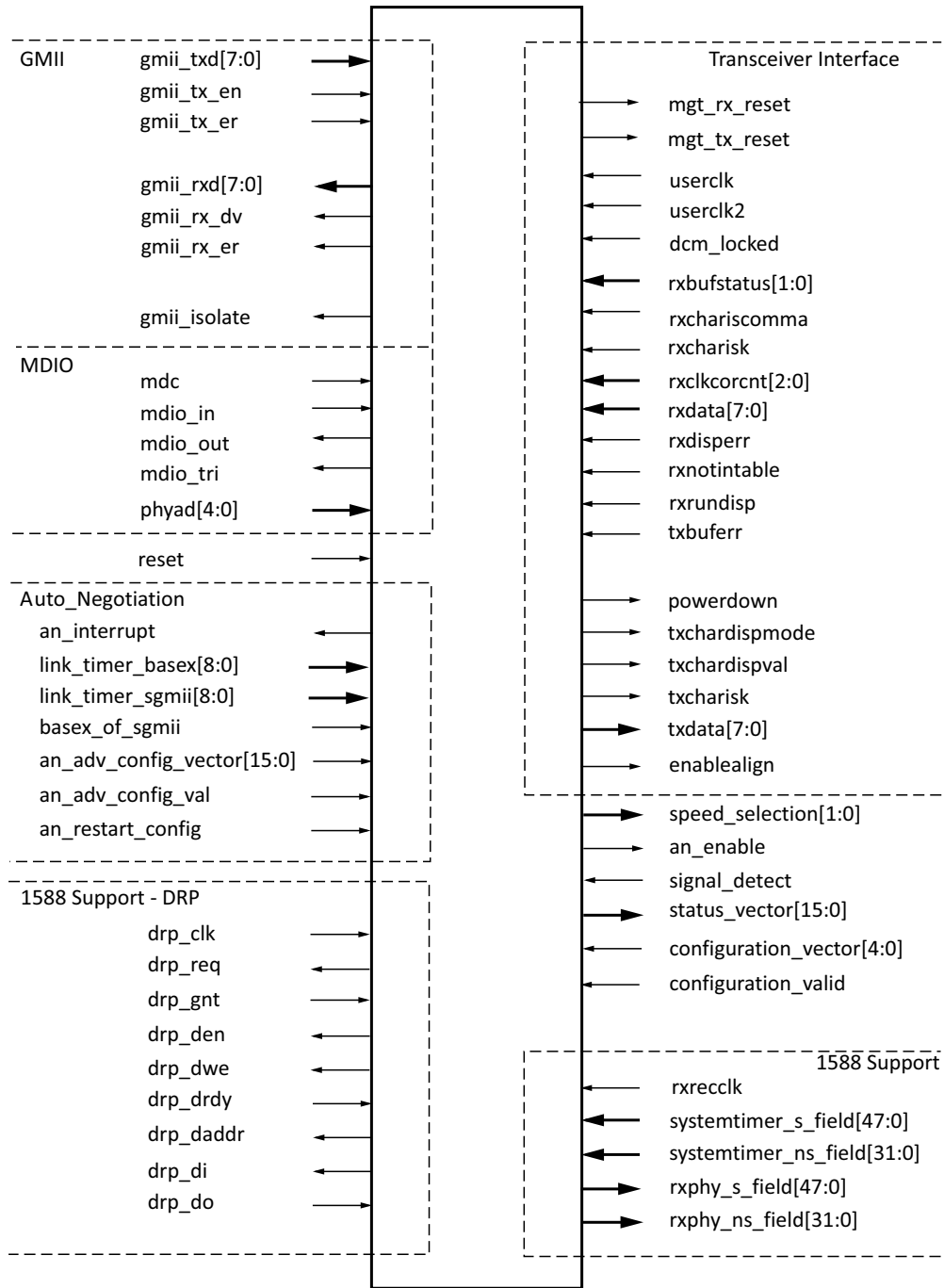
Figure 2-5 shows the pinout for the Ethernet 1000BASE-X PCS/PMA or SGMII core when using a TBI without the optional PCS Management registers.



X12838

Figure 2-5: **PCS/PMA Core Pinout Using Ten-Bit Interface without PCS Management Registers**

Figure 2-6 shows the pinout for the Ethernet 1000BASE-X PCS/PMA or SGMII core using the optional dynamic switching logic (between 1000BASE-X and SGMII standards). This mode is shown used with a device-specific transceiver interface. For 7 series and Zynq-7000 devices, data width of rxdata and txdata signals received from the device-specific transceiver is 16 bits. A conversion logic is used to convert to 8 bits for core interface. For more information, see Chapter 10, Dynamic Switching of 1000BASE-X and SGMII Standards.



X12834

Figure 2-6: PCS/PMA Core Pinout with the Dynamic Switching Logic

Core Client Side Interface

GMII Pinout

Table 2-18 describes the GMII-side interface signals of the core common to all parameterizations of the core. These are typically attached to an Ethernet MAC, either off-chip or internally integrated. The HDL block level design delivered with the core connects these signals to IOBs.

For more information, see [Chapter 8, Using the Client-Side GMII Datapath](#).

Table 2-18: GMII Interface Signal Pinout

Signal	Direction	Description
gmii_txd[7:0] ⁽¹⁾	Input	GMII Transmit data from MAC.
gmii_tx_en ⁽¹⁾	Input	GMII Transmit control signal from MAC.
gmii_tx_er ⁽¹⁾	Input	GMII Transmit control signal from MAC.
gmii_rxd[7:0] ⁽²⁾	Output	GMII Received data to MAC.
gmii_rx_dv ⁽²⁾	Output	GMII Received control signal to MAC.
gmii_rx_er ⁽²⁾	Output	GMII Received control signal to MAC.
gmii_isolate ⁽²⁾	Output	IOB 3-state control for GMII Isolation. Only of use when implementing an External GMII as illustrated by the block level design HDL.

Notes:

1. When the Transmitter Elastic Buffer is present, these signals are synchronous to gmii_tx_clk. When the Transmitter Elastic Buffer is omitted, see ⁽²⁾.
2. These signals are synchronous to the internal 125 MHz reference clock of the core. This is userclk2 when the core is used with the device-specific transceiver; gtx_clk when the core is used with TBI.

Common Signal Pinout

Table 2-19 and Table 2-20 describe the remaining signals common to all parameterizations of the core.

Signals are synchronous to the core internal 125 MHz reference clock; userclk2 when used with a device-specific transceiver; gtx_clk when used with TBI.

Table 2-19: Status Vector Pinout

Signal	Direction	Clock Domain	Description
status_vector[15:0]	Output	See note	<ul style="list-style-type: none"> • Bit[0]: Link Status This signal indicates the status of the link. When High, the link is valid: synchronization of the link has been obtained and Auto-Negotiation (if present and enabled) has successfully completed. When Low, a valid link has not been established. Either link synchronization has failed or Auto-Negotiation (if present and enabled) has failed to complete. When auto-negotiation is enabled, this signal is identical to Status register Bit 1.2: Link Status. When auto-negotiation is disabled, this signal is identical to status_vector Bit[1]. In this case, either of the bits can be used.
			<ul style="list-style-type: none"> • Bit[1]: Link Synchronization This signal indicates the state of the synchronization state machine (IEEE802.3 figure 36-9) which is based on the reception of valid 8B/10B code groups. This signal is similar to Bit[0] (Link Status), but is <i>not</i> qualified with Auto-Negotiation. When High, link synchronization has been obtained and in the synchronization state machine, sync_status=OK. When Low, synchronization has failed.
			<ul style="list-style-type: none"> • Bit[2]: RUDI(/C/) The core is receiving /C/ ordered sets (Auto-Negotiation Configuration sequences).
			<ul style="list-style-type: none"> • Bit[3]: RUDI(/I/) The core is receiving /I/ ordered sets (Idles)
			<ul style="list-style-type: none"> • Bit[4]: RUDI(INVALID) The core has received invalid data while receiving /C/ or /I/ ordered set.
			<ul style="list-style-type: none"> • Bit[5]: RXDISPERR The core has received a running disparity error during the 8B/10B decoding function.
			<ul style="list-style-type: none"> • Bit[6]: RXNOTINTABLE The core has received a code group which is not recognized from the 8B/10B coding tables.

Table 2-19: Status Vector Pinout (Cont'd)

Signal	Direction	Clock Domain	Description															
			<ul style="list-style-type: none"> • Bit[7]: PHY Link Status (SGMII mode only) When operating in SGMII mode, this bit represents the link status of the external PHY device attached to the other end of the SGMII link (High indicates that the PHY has obtained a link with its link partner; Low indicates that it has not linked with its link partner). The value reflected is Link Partner Base AN Register 5 bit 15 in SGMII MAC mode and the Advertisement Ability register 4 bit 15 in PHY mode. When operating in 1000BASE-X mode, this bit remains Low and should be ignored 															
status_vector[15:0] (Continued)	Output	See note	<ul style="list-style-type: none"> • Bit[9:8]: Remote Fault Encoding This signal indicates the remote fault encoding (IEEE802.3 table 37-3). This signal is validated by bit 13 of status_vector and is only valid when Auto-Negotiation is enabled. In 1000BASE-X mode these values reflected Link Partner Base AN Register 5 bits [13:12]. This signal has no significance when the core is in SGMII mode with PHY side implementation and indicates "00". In MAC side implementation of the core the signal takes the value "10" to indicate the remote fault (Link Partner Base AN Register 5 bit 15 (Link bit) is '0'). • Bit [11:10]: SPEED This signal indicates the speed negotiated and is only valid when Auto-Negotiation is enabled. In 1000BASE-X mode these bits are hard wired to "10" but in SGMII mode the signals encoding is as shown below. The values reflected is Link Partner Base AN Register 5 bits [11:10] in MAC mode and the Advertisement Ability register 4 bits [11:10] in PHY mode. <table border="0"> <tr> <td>Bit[11]</td> <td>Bit[10]</td> <td></td> </tr> <tr> <td>1</td> <td>1</td> <td>Reserved</td> </tr> <tr> <td>1</td> <td>0</td> <td>1000 Mb/s</td> </tr> <tr> <td>0</td> <td>1</td> <td>100 Mb/s</td> </tr> <tr> <td>0</td> <td>0</td> <td>10 Mb/s</td> </tr> </table>	Bit[11]	Bit[10]		1	1	Reserved	1	0	1000 Mb/s	0	1	100 Mb/s	0	0	10 Mb/s
Bit[11]	Bit[10]																	
1	1	Reserved																
1	0	1000 Mb/s																
0	1	100 Mb/s																
0	0	10 Mb/s																

Table 2-19: Status Vector Pinout (Cont'd)

Signal	Direction	Clock Domain	Description
status_vector[15:0] (Continued)	Output	See note	<ul style="list-style-type: none"> • Bit[12]: Duplex Mode This bit indicates the Duplex mode negotiated with the link partner. Indicates bit 5 of Link Partner Base AN register 5 in 1000BASE-X mode; otherwise bit 12 in SGMII mode (In SGMII MAC mode it is register bit 5.12, in SGMII PHY mode 4.12). 1 = Full Duplex 0 = Half Duplex • Bit[13] Remote Fault When this bit is logic one, it indicates that a remote fault is detected and the type of remote fault is indicated by status_vector bits[9:8]. This bit reflects MDIO register bit 1.4. Note: This bit is only deasserted when a MDIO read is made to status register (register1). This signal has no significance in SGMII PHY mode.
			<ul style="list-style-type: none"> • Bits[15;14]: Pause These bits reflect the bits [8:7] of Register 5 (Link Partner Base AN register). These bits are valid only in 1000BASE-X mode and have no significance in SGMII mode of operation. Bit[15] Bit[14] 0 0 No Pause 0 1 Symmetric Pause 1 0 Asymmetric Pause towards Link partner 1 1 Both Symmetric Pause and Asymmetric Pause towards link partner

Table 2-20: Reset Signals Pinout

Signal	Direction	Clock Domain	Description
reset	Input	n/a	Asynchronous reset for the entire core. Active-High

MDIO Management Interface Pinout (Optional)

Table 2-21 describes the optional MDIO interface signals of the core that are used to access the PCS Management registers. These signals are typically connected to the MDIO port of a MAC device, either off-chip or to an internally integrated MAC core. For more information, see [Management Registers](#).

Table 2-21: Optional MDIO Interface Signal Pinout

Signal	Direction	Clock Domain	Description
mdc	Input	N/A	Management clock (<= 2.5 MHz).
mdio_in ⁽¹⁾	Input	mdc	Input data signal for communication with MDIO controller (for example, an Ethernet MAC). Tie High if unused.
mdio_out ⁽¹⁾	Output	mdc	Output data signal for communication with MDIO controller (for example, an Ethernet MAC).
mdio_tri ⁽¹⁾	Output	mdc	3-state control for MDIO signals; 0 signals that the value on mdio_out should be asserted onto the MDIO interface.
phyad[4:0]	Input	N/A	Physical Address of the PCS Management register set. The PHY Address value entered in the Vivado IDE percolates to this signal.

1. These signals can be connected to a 3-state buffer to create a bidirectional mdio signal suitable for connection to an external MDIO controller (for example, an Ethernet MAC)

Additional Configuration Vector Interface

Table 2-22 shows the additional interface to program Management Register 0 irrespective of the optional MDIO interface.

Table 2-22: Configuration Vector

Signal	Direction	Clock Domain	Description
configuration_vector[4:0]	Input	See note	<ul style="list-style-type: none"> • Bit[0]: Unidirectional Enable When set to 1, Enable Transmit irrespective of state of RX (802.3ah). When set to 0, Normal operation • Bit[1]: Loopback Control When the core with a device-specific transceiver is used, this places the core into internal loopback mode. With the TBI version, Bit 1 is connected to ewrap. When set to 1, this signal indicates to the external PMA module to enter loopback mode. • Bit[2]: Power Down When the Zynq-7000, Virtex-7, Kintex-7, and Artix-7 device transceivers are used and set to 1, the device-specific transceiver is placed in a low-power state. A reset must be applied to clear. With the TBI version this bit is unused. • Bit[3] Isolate When set to 1, the GMII should be electrically isolated. When set to 0, normal operation is enabled. • Bit[4] Auto-Negotiation Enable This signal is valid only if the AN module is enabled through the IP catalog. When set to 1, the signal enables the AN feature. When set to 0, AN is disabled.
configuration_valid	Input	See Note	This signal is valid only when the MDIO interface is present. The rising edge of this signal is the enable signal to overwrite the Register 0 contents that were written from the MDIO interface. For triggering a fresh update of Register 0 through <i>configuration_vector</i> , this signal should be deasserted and then reasserted.

Note: Signals are synchronous to the core internal 125 MHz reference clock; `userclk2` when used with a device-specific transceiver; `gtx_clk` when used with TBI.

Auto-Negotiation Signal Pinout (Optional)

Table 2-23 describes the signals present when the optional Auto-Negotiation functionality is present. This interface is used to program Register 4, irrespective of MDIO interface. For more information, see Chapter 9, Auto-Negotiation.

Table 2-23: Optional Auto-Negotiation Interface Signal Pinout

Signal	Direction	Clock Domain	Description
an_adv_config_vector [15:0]	Input	See Note	<i>In SGMII operating in MAC Mode, the AN_ADV register is hard wired internally to "0x4001" and this bus has no effect. For 1000BaseX and SGMII operating in PHY mode, the AN_ADV register is programmed by this bus as specified for the following bits.</i>
			<ul style="list-style-type: none"> Bit[0]: For 1000 BASEX-Reserved. For SGMII- Always 1
			<ul style="list-style-type: none"> Bits [4:1]: Reserved
			<ul style="list-style-type: none"> Bit [5]: For 1000 BASEX- Full Duplex 1 = Full Duplex Mode is advertised 0 = Full Duplex Mode is not advertised For SGMII: Reserved
			<ul style="list-style-type: none"> Bit [6]: Reserved
			<ul style="list-style-type: none"> Bits [8:7]: For 1000 BASEX- Pause 0 0 No Pause 0 1 Symmetric Pause 1 0 Asymmetric Pause towards link partner 1 1 Both Symmetric Pause and Asymmetric Pause towards link partner For SGMII - Reserved
			<ul style="list-style-type: none"> Bit [9]: Reserved

Table 2-23: Optional Auto-Negotiation Interface Signal Pinout (Cont'd)

Signal	Direction	Clock Domain	Description
an_adv_config_vector [15:0]	Input	See Note	<ul style="list-style-type: none"> Bits [11:10]: For 1000 BASEX- Reserved For SGMII- Speed 1 1 Reserved 1 0 1000 Mb/s 0 1 100 Mb/s 0 0 10 Mb/s
			<ul style="list-style-type: none"> Bits [13:12]: For 1000 BASEX- Remote Fault 0 0 No Error 0 1 Offline 1 0 Link Failure 1 1 Auto-Negotiation Error For SGMII- Bit[13]: Reserved
			<ul style="list-style-type: none"> Bit[12]: Duplex Mode 1 Full Duplex 0 Half Duplex
			<ul style="list-style-type: none"> Bit [14]: For 1000 BASEX- Reserved For SGMII- Acknowledge
an_adv_config_val	Input	See Note	<ul style="list-style-type: none"> Bit [15]: For 1000 BASEX- Reserved For SGMII- PHY Link Status 1 Link Up 0 Link Down
			<p>This signal is valid only when the MDIO interface is present. The rising edge of this signal is the enable signal to overwrite the Register 4 contents that were written from the MDIO interface. For triggering a fresh update of Register 4 through <i>an_adv_config_vector</i>, this signal should be deasserted and then reasserted.</p>
an_restart_config	Input	See Note	<p>This signal is valid only when AN is present. The rising edge of this signal is the enable signal to overwrite Bit 9 or Register 0. For triggering a fresh AN Start, this signal should be deasserted and then reasserted.</p>

Table 2-23: Optional Auto-Negotiation Interface Signal Pinout (Cont'd)

Signal	Direction	Clock Domain	Description
an_interrupt	Output	See Note	When the MDIO module is selected through the Vivado IDE interface, this signal indicates an active-High interrupt for Auto-Negotiation cycle completion which needs to be cleared through MDIO. This interrupt can be enabled/disabled and cleared by writing to the appropriate PCS Management register. When the MDIO module is not selected, this signal indicates AN Complete, which is asserted as long as the Auto-Negotiation is complete and AN is not restarted and cannot be cleared.

Note: Signals are synchronous to the core internal 125 MHz reference clock, `userclk2` when the core is used with the device-specific transceiver, and `gtx_clk` when the core is used with TBI.

Dynamic Switching Signal Pinout

Table 2-24 describes the signals present when the optional Dynamic Switching mode (between 1000BASE-X and SGMII standards) is selected. In this case, the MDIO (Table 2-21) and device-specific transceiver (Table 2-27) interfaces are always present.

Table 2-24: Optional Dynamic Standard Switching Signals

Signal	Direction	Description
basex_or_sgmii ⁽¹⁾	Input	Used as the reset default to select the standard. It is expected that this signal will be tied off to a logical value. 0 signals that the core will come out of reset operating as 1000BASE-X. 1 signals that the core will come out of reset operating as SGMII. Note: The standard can be set following reset through the MDIO Management.

Notes:

1. Clock domain is `userclk2`.

1588 Support Signals Pinout

Table 2-25 and Table 2-26 describe the signals for supporting 1588. These interfaces are available only when this core is used in conjunction with the Tri Mode Ethernet MAC core (TEMAC).

Table 2-25: DRP Interface to Transceiver Pinout

Signal	Direction	Description
drp_dclk	In	DRP interface clock, tied to <code>userclk</code>
drp_req ⁽¹⁾	Out	DRP request
drp_gnt ⁽¹⁾	In	DRP grant
drp_den ⁽¹⁾	Out	DRP enable signal
drp_dwe ⁽¹⁾	Out	DRP write enable

Table 2-25: (Cont'd)DRP Interface to Transceiver Pinout

Signal	Direction	Description
drp_drdy ⁽¹⁾	In	Indicates DRP operation is complete
drp_daddr[8:0] ⁽¹⁾	Out	DRP address
drp_di[15:0] ⁽¹⁾	Out	DRP data from transceiver
drp_do[15:0] ⁽¹⁾	In	DRP data to transceiver

1. Signals are synchronous to userclk.

Table 2-26: 1588 Signals Pinout

Signal	Direction	Description
systemtimer_s_field[47:0]	In	1588 System timer seconds value
systemtimer_ns_field[31:0]	In	1588 System timer nanoseconds value
rxphy_s_field[47:0]	Out	1588 timer PHY correction seconds value
rxphy_ns_field[31:0]	Out	1588 timer PHY correction nanoseconds value
rxrecclk	In	Rx recovered clock from transceiver

Core Physical Side Interface

1000BASE-X PCS with PMA Using Transceiver Signal Pinout (Optional)

Table 2-27 describes the optional interface to the device-specific transceiver, or LVDS transceiver logic. The core is connected to the chosen transceiver in the appropriate HDL block level design delivered with the core. For more information, see [Appendix C, 1000BASE-X State Machines](#).

- [Chapter 5, 1000BASE-X with Transceivers](#)
- [Chapter 6, SGMII / Dynamic Standards Switching with Transceivers](#)
- [Chapter 7, SGMII over LVDS](#)

Table 2-27: Optional Transceiver Interface Pinout

Signal	Direction	Description
mgt_rx_reset ⁽¹⁾	Output	Reset signal issued by the core to the device-specific transceiver receiver path. Connect to gtrxreset signal of device-specific transceiver. This reset is a combination of hard reset, soft reset and reset due to RXBUFFER errors.
mgt_tx_reset ⁽¹⁾	Output	Reset signal issued by the core to the device-specific transceiver transmitter path. Connect to gtxreset signal of device-specific transceiver. This reset is a combination of hard reset, soft reset and reset due to TXBUFFER errors.
userclk	Input	Also connected to txusrclk and rxusrclk of the device-specific transceiver. Clock domain is not applicable.

Table 2-27: Optional Transceiver Interface Pinout (Cont'd)

Signal	Direction	Description
userclk2	Input	Also connected to txusrclk2 and rxusrclk2 of the device-specific transceiver. Clock domain is not applicable.
dcm_locked	Input	A Digital Clock Manager (DCM) can be used to derive userclk and userclk2. This is implemented in the HDL design example delivered with the core. The core uses this input to hold the device-specific transceiver in reset until the DCM obtains lock. Clock domain is not applicable. If DCM is not used, this signal should be tied to '1'.
rxbufstatus[1:0] ⁽¹⁾	Input	Connect to device-specific transceiver signal of the same name.
rxchariscomma ⁽¹⁾	Input	Connects to device-specific transceiver signal of the same name.
rxcharisk ⁽¹⁾	Input	Connects to device-specific transceiver signal of the same name.
rxclkcorcnt[2:0] ⁽¹⁾	Input	Connect to device-specific transceiver signal of the same name.
rxdata[7:0] ⁽¹⁾	Input	Connect to device-specific transceiver signal of the same name.
rxdisperr ⁽¹⁾	Input	Connects to device-specific transceiver signal of the same name.
rxnotintable ⁽¹⁾	Input	Connects to device-specific transceiver signal of the same name.
rxrundisp ⁽¹⁾	Input	Connects to device-specific transceiver signal of the same name.
txbuferr ⁽¹⁾	Input	Connects to device-specific transceiver signal of the same name.
powerdown ⁽¹⁾	Output	Connects to device-specific transceiver signal of the same name.
txchardispmode ⁽¹⁾	Output	Connects to device-specific transceiver signal of the same name.
txchardispval ⁽¹⁾	Output	Connects to device-specific transceiver signal of the same name.
txcharisk ⁽¹⁾	Output	Connects to device-specific transceiver signal of the same name.
txdata[7:0] ⁽¹⁾	Output	Connect to device-specific transceiver signal of the same name.
enablealign ⁽¹⁾	Output	Allows the transceivers to serially realign to a comma character. Connects to ENMCOMMAALIGN and ENPCOMMAALIGN of the device-specific transceiver.

Notes:

1. When the core is used with a device-specific transceiver, `userclk2` is used as the 125 MHz reference clock for the entire core.

1000BASE-X PCS with TBI Pinout

Table 2-28 describes the optional TBI signals, used as an alternative to the transceiver interfaces. The appropriate HDL block level design delivered with the core connects these signals to IOBs to provide an external TBI suitable for connection to an off-device PMA SerDes device. When the core is used with the TBI, `gtx_clk` is used as the 125 MHz reference clock for the entire core. For more information, see [Chapter 4, The Ten-Bit Interface](#).

Table 2-28: Optional TBI Interface Signal Pinout

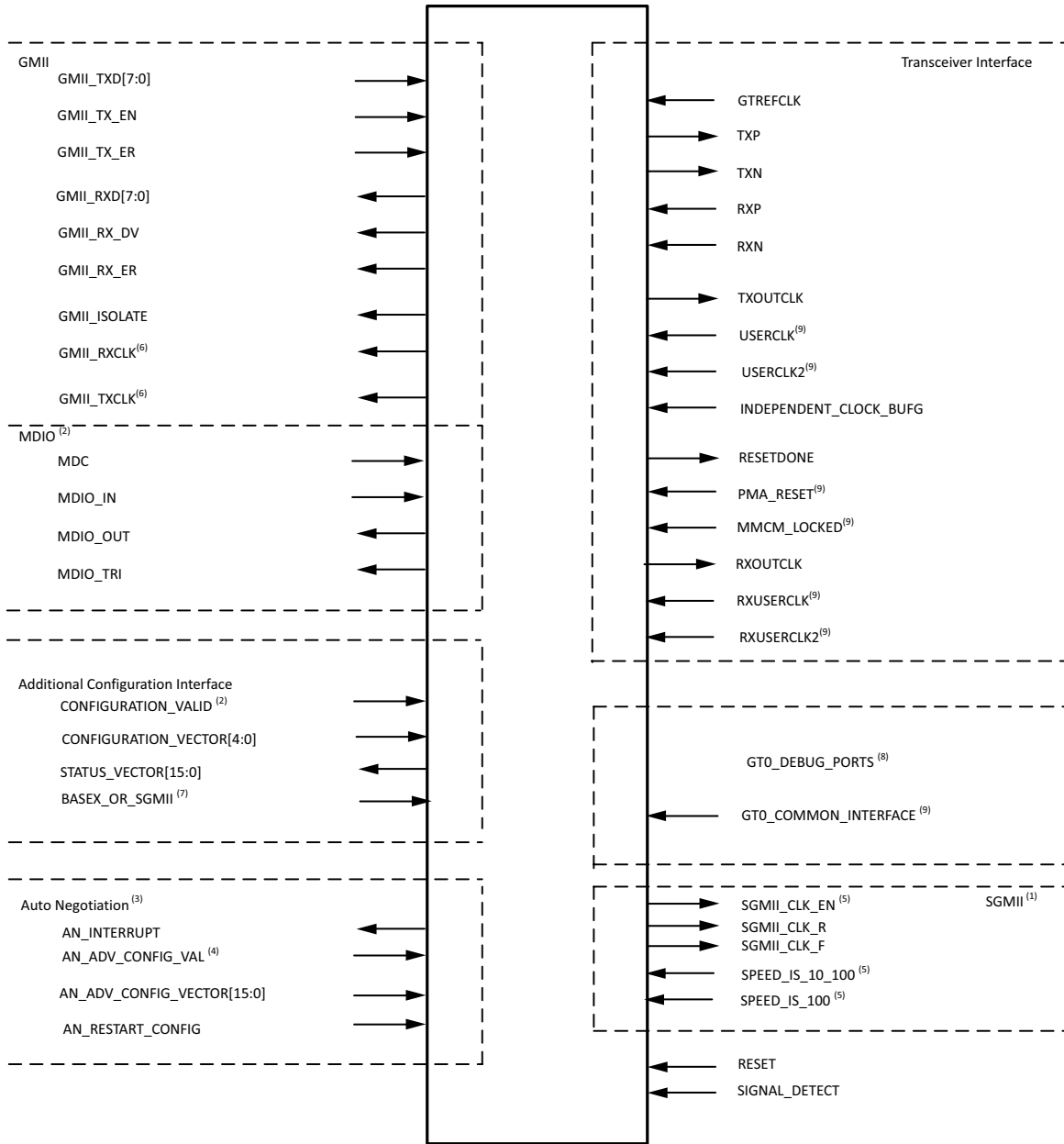
Signal	Direction	Clock Domain	Description
<code>gtx_clk</code>	Input	N/A	Clock signal at 125 MHz. Tolerance must be within IEEE 802.3-2008 specification.
<code>tx_code_group[9:0]</code>	Output	<code>gtx_clk</code>	10-bit parallel transmit data to PMA Sublayer (SerDes).
<code>loc_ref</code>	Output	N/A	Causes the PMA sublayer clock recovery unit to lock to <code>pma_tx_clk</code> . This signal is currently tied to Ground.
<code>ewrap</code>	Output	<code>gtx_clk</code>	When 1, this indicates to the external PMA SerDes device to enter loopback mode. When 0, this indicates normal operation.
<code>rx_code_group0[9:0]</code>	Input	<code>pma_rx_clk0</code>	10-bit parallel received data from PMA Sublayer (SerDes). This is synchronous to <code>pma_rx_clk0</code> .
<code>rx_code_group1[9:0]</code>	Input	<code>pma_rx_clk1</code>	10-bit parallel received data from PMA Sublayer (SerDes). This is synchronous to <code>pma_rx_clk1</code> .
<code>pma_rx_clk0</code>	Input	N/A	Received clock signal from PMA Sublayer (SerDes) at 62.5 MHz.
<code>pma_rx_clk1</code>	Input	N/A	Received clock signal from PMA Sublayer (SerDes) at 62.5 MHz. This is 180° out of phase with <code>pma_rx_clk0</code> .
<code>en_cdet</code>	Output	<code>gtx_clk</code>	Enables the PMA Sublayer to perform comma realignment. This is driven from the PCS Receive Engine during the <i>Loss-Of-Sync</i> state.

Core Level Ports

All the ports described in this section indicate the pins at the block level. The block level design instantiates the core and transceiver. The block level design is expected to be pulled from the Vivado IP Catalog into the IP Integrator interface.

1000 BASE-X or SGMII or Dynamic Switching Mode Using Optional Transceiver

Figure 2-7 shows the pinout for the PCS PMA block in SGMII or 1000-BASEX or Dynamic Switching mode using transceivers.



Notes:

- 1) Pins are visible only if SGMII is enabled.
- 2) Pins are visible only if MDIO is enabled.
- 3) Pins are visible only if Auto Negotiation is enabled.
- 4) Pins are visible only if Auto Negotiation and MDIO are enabled.
- 5) Pins are visible only if generated to interface with TEMAC.
- 6) Pins are visible only if generated to interface with GEM. These pins are a part of GMII interface.
- 7) Pin is visible if a) auto-negotiation and dynamic switching are enabled OR b) dynamic switching and MDIO are enabled.
- 8) Pins are visible only if Transceiver Debug is enabled.
- 9) Direction of the pins change if shared logic is a part of core. Direction given above are in case when shared logic is a part of example design.

Figure 2-7: Pin Out of Block in BASEX or SGMII or Dynamic Switching Mode Using Transceivers

Block Client Side Interface

This interface contains a set of the GMII interface, the optional management interface if supported, and configuration vectors.

GMII Pinout

In the MAC mode this interface is expected to be connected to the GMII interface of the Tri Mode Ethernet MAC core (TEMAC). In the PHY mode, this interface is brought out onto the pads. See [Table 2-18](#) of GMII Pinout for these signals.

MDIO Management Interface Pinout (Optional)

See [Table 2-21](#) of MDIO Management Interface Pinout (Optional) for these signals.

Additional Configuration Vector Interface

See [Table 2-22](#) of Additional Configuration Vector and Status Vectors and [Table 2-24](#) of Optional Dynamic Standard Switching Signals for these signals.

Auto Negotiation Signal Pinout (Optional)

See [Table 2-23](#) of Auto-Negotiation Interface Pinout for these signals.

DRP Interface Pinout

See the *LogiCORE IP 7 Series FPGAs Transceivers Wizard v4.4* (UG769) [\[Ref 6\]](#) for more details on these signals.

Block Physical Side Interface

Transceiver Interface Pinout for the case where shared logic is included in the example design

Table 2-29: 1000Base-X/SGMII /Dynamic Switching PCS with PMA Block Physical Side Interface with Shared Logic in the Example Design

Signal	Direction	Description
gtrefclk	Input	125 MHz reference clock from IBUFDS to the transceiver
txp	Output	Transmit differential
txn	Output	Transmit differential
rxp	Input	Receive differential
rxn	Input	Receive differential
txoutclk	Output	txoutclk from transceiver
userclk	Input	Also connected to txusrclk of the device-specific transceiver. Clock domain is not applicable.

Table 2-29: 1000Base-X/SGMII /Dynamic Switching PCS with PMA Block Physical Side Interface with Shared Logic in the Example Design (Cont'd)

Signal	Direction	Description
userclk2	Input	Also connected to txusrclk2 of the device-specific transceiver. Clock domain is not applicable.
rxoutclk	Output	rxoutclk from transceiver
rxuserclk	Input	Also connected to rxusrclk of the device-specific transceiver. Clock domain is not applicable.
rxuserclk2	Input	Also connected to rxusrclk2 of the device-specific transceiver. Clock domain is not applicable.
independent_clock_bufg ^a	Input	Stable clock in transceiver and also as control clock for IDELAYCTRL.
resetdone	Output	Indication that reset sequence of the transceiver is complete
pma_reset	Input	Hard reset synchronized to independent_clock_bufg.
mmcm_locked	Input	Indication from the MMCM that the outputs are stable.
gmii_txclk	output	Applicable only in case when GEM is selected as interface type. This is the looped back version of userclk2 in case of Base-x mode and same as sgmmi_clk_r in sgmmi modes.
gmii_rxclk	output	Same as gmii_txclk.
GT COMMON CLOCK INTERFACE		
gt0_pll0outclk_in	Input	Valid only for Artix-7 families. Indicates out clock from PLL0 of GT Common
gt0_pll0outrefclk_in	Input	Valid only for Artix-7 families. Indicates reference out clock from PLL0 of GT Common
gt0_pll1outclk_in	Input	Valid only for Artix-7 families. Indicates out clock from PLL1 of GT Common
gt0_pll1outrefclk_in	Input	Valid only for Artix-7 families. Indicates reference out clock from PLL1 of GT Common
gt0_pll0lock_in	Input	Valid only for Artix-7 families. Indicates out PLL0 of GT Common has locked
gt0_pll0refclklost_in	Input	Valid only for Artix-7 families. Indicates out reference clock for PLL0 of GT Common is lost
gt0_pll0reset_out	Output	Valid only for Artix-7 families. Reset for PLL of GT Common from reset fsm in GT Wizard
gt0_qplloutclk_in	Input	Valid only for non Artix-7 families. Indicates out clock from PLL of GT Common
gt0_qplloutrefclk_in	Input	Valid only for non Artix-7 families. Indicates reference out clock from PLL of GT Common

- a. The example design assumes `independent_clock_bufg` to be 200 MHz. If it is different, the period will need to be changed in the `<component_name>_gtwizard.v[hd]` file with the parameter `STABLE_CLOCK_PERIOD = 5`. This is the period of the stable clock driving this state-machine, unit is [ns]. Also, make sure that if the design is using `IDELAYCTRL` then the value given to this clock is
 - a) either within the range of the `refclk` value specified for `IDELAYCTRL`. OR
 - b) Some different clock is used as the reference clock for `IDELAYCTRL`.

Changing the value for `STABLE_CLOCK_PERIOD` to anything other than 5 may require changing the `WAIT_TIMEOUT_2ms` counter value in the `<component_name>_tx_startup_fsm.v[hd]` and `<component_name>_rx_startup_fsm.v[hd]` files to provide appropriate delays to the FSMs for completion of its startup sequence.

The valid range for the stable clock period is 4 to 250. However, the core has been tested only with 5 ns (that is, 200 MHz).

Table 2-30 describes the interface to the device-specific transceiver when shared logic is in the core.

Table 2-30: 1000Base-X/SMGII /Dynamic Switching PCS with PMA Block Physical Side Interface with Shared Logic in the Core

Signal	Direction	Description
gtrefclk_p	Input	125 MHz differential reference clock to IBUFDS
gtrefclk_p	Input	125 MHz differential reference clock to IBUFDS
gtrefclk_out	Output	125 MHz reference clock from IBUFDS
txp	Output	Transmit differential
txn	Output	Transmit differential
rxp	Input	Receive differential
rxn	Input	Receive differential
userclk_out	Output	Also connected to txusrclk of the device-specific transceiver. Clock domain is not applicable.
userclk2_out	Output	Also connected to txusrclk2 of the device-specific transceiver. Clock domain is not applicable.
rxuserclk_out	Output	Also connected to rxusrclk of the device-specific transceiver. Clock domain is not applicable.
rxuserclk2_out	Output	Also connected to rxusrclk2 of the device-specific transceiver. Clock domain is not applicable.
independent_clock_bufg ^a	Input	Stable table clock in transceiver and also as control clock for <code>IDELAYCTRL</code> .
resetdone	Output	Indication that reset sequence of the transceiver is complete.
pma_reset_out	Output	Hard reset synchronized to <code>independent_clock_bufg</code> .
mmcm_locked_out	Output	Indication from the MMCM that the outputs are stable.
gmii_txclk	output	Applicable only in case when GEM is selected as interface type. This is the looped back version of <code>userclk2</code> in case of Base-x mode and same as <code>sgmii_clk_r</code> in <code>sgmii</code> modes.
gmii_rxclk	output	Same as <code>gmii_txclk</code> .

Table 2-30: 1000Base-X/SMGII /Dynamic Switching PCS with PMA Block Physical Side Interface (Cont'd)with Shared Logic in the Core

Signal	Direction	Description
GT COMMON CLOCK INTERFACE		
gt0_pll0outclk_out	Output	Valid only for Artix-7 families. Indicates out clock from PLL0 of GT Common.
gt0_pll0outrefclk_out	Output	Valid only for Artix-7 families. Indicates reference out clock from PLL0 of GT Common.
gt0_pll1outclk_out	Output	Valid only for Artix-7 families. Indicates out clock from PLL1 of GT Common.
gt0_pll1outrefclk_out	Output	Valid only for Artix-7 families. Indicates reference out clock from PLL1 of GT Common.
gt0_pll0lock_out	Output	Valid only for Artix-7 families. Indicates out PLL0 of GT Common has locked.
gt0_pll0refclklost_out	Output	Valid only for Artix7 families. Indicates out reference clock for PLL0 of GT Common is lost.
gt0_qplloutclk_out	Output	Valid only for non Artix7 families. Indicates out clock from PLL of GT Common.
gt0_qplloutrefclk_out	Output	Valid only for non Artix7 families. Indicates reference out clock from PLL of GT Common.

- a. The example design assumes `independent_clock_bufg` to be 200 MHz. If it is different, the period will need to be changed in the `<component_name>_gtwizard.v[hd]` file with the parameter `STABLE_CLOCK_PERIOD = 5`. This is the period of the stable clock driving this state-machine, unit is [ns]. Also, make sure that if the design is using `IDELAYCTRL`, then the value given to this clock is
- either within the range of the `refclk` value specified for `IDELAYCTRL`. OR
 - Some different clock is used as reference clock for `IDELAYCTRL`.

Changing the value for `STABLE_CLOCK_PERIOD` to anything other than 5 may require changing the `WAIT_TIMEOUT_2ms` counter value in the `<component_name>_tx_startup_fsm.v[hd]` and `<component_name>_rx_startup_fsm.v[hd]` files to provide appropriate delays to the FSMs for completion of its startup sequence.

The valid range for Stable clock period is 4 to 250. However, the core has been tested only with 5ns (that is, 200 MHz).

Transceiver Control and Status Ports

Optional ports that, if enabled, allow the monitoring and control of certain important ports of the transceivers. When not selected, these ports are tied to their default values. See [Table 2-31](#).

Note: The Dynamic Reconfiguration Port is only available if this option is selected. Driving the DRP interface should be done only after assertion of the `gt0_rxresetdone_out` signal which indicates the completion of rx reset sequence.

Table 2-31: Transceiver Control and Status Ports (Applicable for 7 Series and Zynq Devices)

Signal	Direction	Description
gt0_drp_addr_in[8:0]	Input	DRP address bus
gt0_drpi_in[15:0]	Input	Data bus for writing configuration data to the transceiver.
gt0_drpo_out[15:0]	Output	Data bus for reading configuration data from the transceiver.
gt0_drprdy_out	Output	Indicates operation is complete for write operations and data is valid for read operations.
gt0_drpwe_in	Input	DRP write enable
gt0_drpcl_in	Input	DRP Clock
gt0_rxchariscomma_out[3:0]	Output	GT Status
gt0_rxcharisk_out[3:0]	Output	
gt0_rxbyteisaligned_out	Output	
gt0_rxbyterealign_out	Output	
gt0_rxcommadet_out	Output	
gt0_txdifctrl_in[3:0]	Input	GT TX Driver
gt0_txpostcursor_in[4:0]	Input	
gt0_txprecursor_in[4:0]	Input	
gt0_txpolarity_in	Input	GT Polarity
gt0_rxpolarity_in	Input	
gt0_txprbssel_in[2:0]	Input	GT PRBS
gt0_txprbsforceerr_in	Input	
gt0_rxprbscntreset_in	Input	
gt0_rxprbserr_out	Output	
gt0_rxprbssel_in[2:0]	Input	
gt0_loopback_in[2:0]	Input	GT Loopback
gt0_txresetdone_out	Output	GT Status
gt0_rxresetdone_out	Output	
gt0_rxdisperr_out[3:0]	Output	
gt0_rxnotintable_out	Output	
gt0_eyescanreset_in[3:0]	Input	GT Eye Scan
gt0_eyescanataerror_out	Output	
gt0_eyescantrigger_in	Input	
gt0_rxcdrhold_in	Input	GT CDR
gt0_rxcdrlock_out	Output	

Table 2-31: Transceiver Control and Status Ports (Applicable for 7 Series and Zynq Devices)

Signal	Direction	Description
gt0_rxlpmen_in	Input	GT GTX/GTH RX Decision Feedback Equalizer (DFE)
gt0_rxdfelpmreset_in	Input	
gt0_rxdfefagcovrden_in	Input	
gt0_rxmonitorout_out[6:0]	Output	
gt0_rxmonitorssel_in[1:0]	Input	
gt0_txpmareset_in	Input	GT TX-PMA Reset
gt0_txpcsreset_in	Input	GT TX-PCS Reset
gt0_rxpmareset_in	Input	GT RX-PMA Reset
gt0_rxpcsreset_in	Input	GT RX-PCS Reset
gt0_rxbufreset_in	Input	GT RX Elastic Buffer Reset
gt0_rxpmaresetdone_out	Output	GT PMA resetdone indication
gt0_txbufstatus_out[1:0]	Output	GT TX Buffer status
gt0_rxbufstatus_out[2:0]	Output	GT RX Buffer status
gt0_dmonitorout_out[16:0]	Output	GT Status. If width differs for particular family then LSBs valid.
gt0_rxlpmreset_in	Input	RX LPM reset. Valid only in case of GTP.
gt0_rxlpmhfoverden_in	Input	RX LPM-HF override enable. Valid only in case of GTP.

Table 2-32: Transceiver Control and Status Ports (Applicable for UltraScale Devices)

Signal	Direction	Description
gt_drp_addr_in[8:0]	Input	DRP address bus
gt_drpi_in[15:0]	Input	Data bus for writing configuration data to the transceiver.
gt_drpo_out[15:0]	Output	Data bus for reading configuration data from the transceiver.
gt_drprdy_out	Output	Indicates operation is complete for write operations and data is valid for read operations.
gt_drpwe_in	Input	DRP write enable.
gt_drpclk_in	Input	DRP Clock
gt_rxcommadet_out	Output	
gt_txdiffctrl_in[3:0]	Input	GT TX Driver
gt_txpostcursor_in[4:0]	Input	
gt_txprecursor_in[4:0]	Input	
gt_txpolarity_in	Input	GT Polarity
gt_rxpolarity_in	Input	

Table 2-32: Transceiver Control and Status Ports (Applicable for UltraScale Devices)

Signal	Direction	Description
gt_txprbssel_in[2:0]	Input	GT PRBS
gt_txprbsforceerr_in	Input	
gt_rxprbsctrlreset_in	Input	
gt_rxprbserr_out	Output	
gt_rxprbssel_in[2:0]	Input	
gt_loopback_in[2:0]	Input	GT Loopback
gt_txresetdone_out	Output	GT Status
gt_rxresetdone_out	Output	
gt_rxdisperr_out[3:0]	Output	
gt_rxnotintable_out	Output	
gt_eyescanreset_in[3:0]	Input	GT Eye Scan
gt_eyescanataerror_out	Output	
gt_eyescantrigger_in	Input	
gt_rxcdrhold_in	Input	GT CDR
gt_rxcdrlock_out	Output	
gt_rxlpmen_in	Input	GT GTX/GTH RX Decision Feedback Equalizer (DFE)
gt_rxdfelpmreset_in	Input	
gt_txpmareset_in	Input	GT TX-PMA Reset
gt_txpcsreset_in	Input	GT TX-PCS Reset
gt_rxpmareset_in	Input	GT RX-PMA Reset
gt_rxpcsreset_in	Input	GT RX-PCS Reset
gt_rxbufreset_in	Input	GT RX Elastic Buffer Reset
gt_rxpmaresetdone_out	Output	GT PMA resetdone indication
gt_txbufstatus_out[1:0]	Output	GT TX Buffer status
gt_rxbufstatus_out[2:0]	Output	GT RX Buffer status
gt_dmonitorout_out[16:0]	Output	GT Status

Table 2-33: SGMII over LVDS PCS with PMA Block Physical Side Interface with Shared Logic in the Core

Signal	Direction	Description
refclk125_p	Input	Differential 125MHz clock synchronous to incoming SGMII serial data
refclk125_n	Input	Differential 125Mhz clock synchronous to incoming SGMII serial data
clk125_out	Output	Single ended 125 MHz clock.
clk625_out	Output	625 MHz clock
clk208_out	Output	208 MHz clock
clk104_out	Out	104 MHz clock
rst_125_out	Output	Output reset synchronous to 125 MHz clock.
mmcm_locked_out	Output	MMCM locked indication.
txp	Output	Transmit differential
txn	Output	Transmit differential
rxp	Input	Receive differential
rxn	Input	Receive differential

SGMII Interface Pinout

Table 2-34: SGMII Interface Pinout

Signal	Direction	Description
sgmii_clk_en	Output	Clock for GMII transmit data
sgmii_clk_f	Output	Differential clock for GMII transmit data
sgmii_clk_r	Output	Differential clock for GMII transmit data
speed_is_10_100	Input	Speed control for controlling operating speed of SGMII interface
speed_is_100	Input	Speed control for controlling operating speed of SGMII interface

Additional Configuration Vector Interface

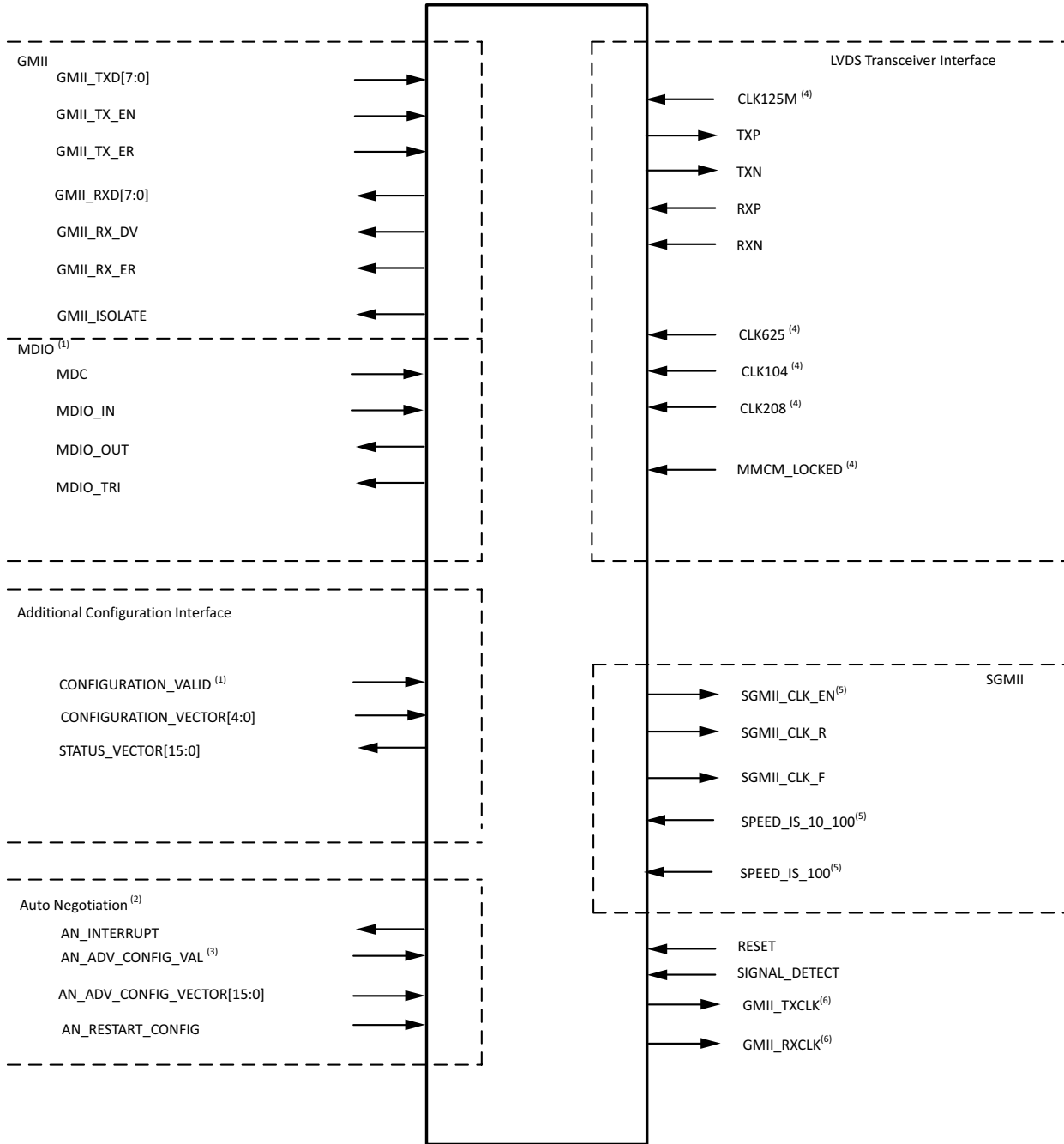
See [Additional Client-Side SGMII Logic](#) for more details.

Other Common Signals

See [Table 2-19](#) and [Table 2-20](#) of other common Pinout section for these signals.

SGMII over LVDS

Figure 2-8 shows the pinout for the PCS-PMA block in SGMII over LVDS interface.



Notes:

- 1) Pins are visible only if MDIO is enabled.
- 2) Pins are visible only if Auto-Negotiation is enabled.
- 3) Pins are visible only if Auto Negotiation and MDIO are enabled.
- 4) Direction of the pins change when shared logic is a part of core. Diagram shows the case when shared logic is a part of Example Design.
- 5) Pins are visible only in case TEMAC is selected as interface.
- 6) Pins are visible only in case GEM is selected as interface. These pins are a part of GMII interface.

Figure 2-8: Pin Out of Block in SGMII over LVDS Mode

Block Client Side Interface

This interface contains a set of the GMII interface, the optional management interface if supported, and configuration vectors.

GMII Pinout

In the MAC mode this interface is expected to be connected to the GMII interface of Tri Mode Ethernet MAC core (TEMAC). In the PHY mode, this interface is brought out onto the pads.

See [Table 2-18](#) of GMII Interface Signals Pinout for these signals.

MDIO Management Interface Pinout (Optional)

See [Table 2-21](#) of the MDIO Management Interface Pinout section for these signals.

Additional Configuration Vector Interface

See [Table 2-22](#) of Additional Configuration and Status Vectors and [Table 2-24](#) of Optional Dynamic Standard Switching Signals for these signals.

Auto-Negotiation Signal Pinout (Optional)

See [Table 2-23](#) of Auto-Negotiation Interface Pinout for these signals.

Block Physical Side Interface

Transceiver Interface Pinout for the case where shared logic is included in the example design

Table 2-35: Transceiver Interface Pinout for SGMII over LVDS

Signal	Direction	Description
clk125m	Input	125 MHz reference clock from IBUFDS.
txp	Output	Transmit differential
txn	Output	Transmit differential
rxp	Input	Receive differential
rxn	Input	Receive differential
clk104	Input	104 MHz clock derived from 125MHz input differential clock
clk208	Input	208 MHz clock derived from 125MHz input differential clock
clk625	Input	625 MHz clock derived from 125MHz input differential clock
mmcm_locked	Input	Indication from the MMCM that the outputs are stable

SGMII Interface Pinout

Table 2-36: SGMII Interface Pinout

Signal	Direction	Description
sgmii_clk_en	Output	Clock for GMII transmit data
sgmii_clk_f	Output	Differential clock for GMII transmit data
sgmii_clk_r	Output	Differential clock for GMII transmit data
speed_is_10_100	Input	Speed control for controlling operating speed of SGMII interface
speed_is_100	Input	Speed control for controlling operating speed of SGMII interface

Additional Configuration Vector Interface

See [Additional Client-Side SGMII Logic in Chapter 8](#) for more details.

Other Common Signals

See [Table 2-19](#) and [Table 2-20](#) of other common signal Pinout section for these signals.

Note: The signal `eye_mon_wait_time` is given a lower value for ease in simulation. Actual implementation can tie it to 12'hFFF.

Ten Bit Interface

[Figure 2-9](#) shows the pinout for the PCS-PMA block in Ten Bit Interface (TBI) mode.

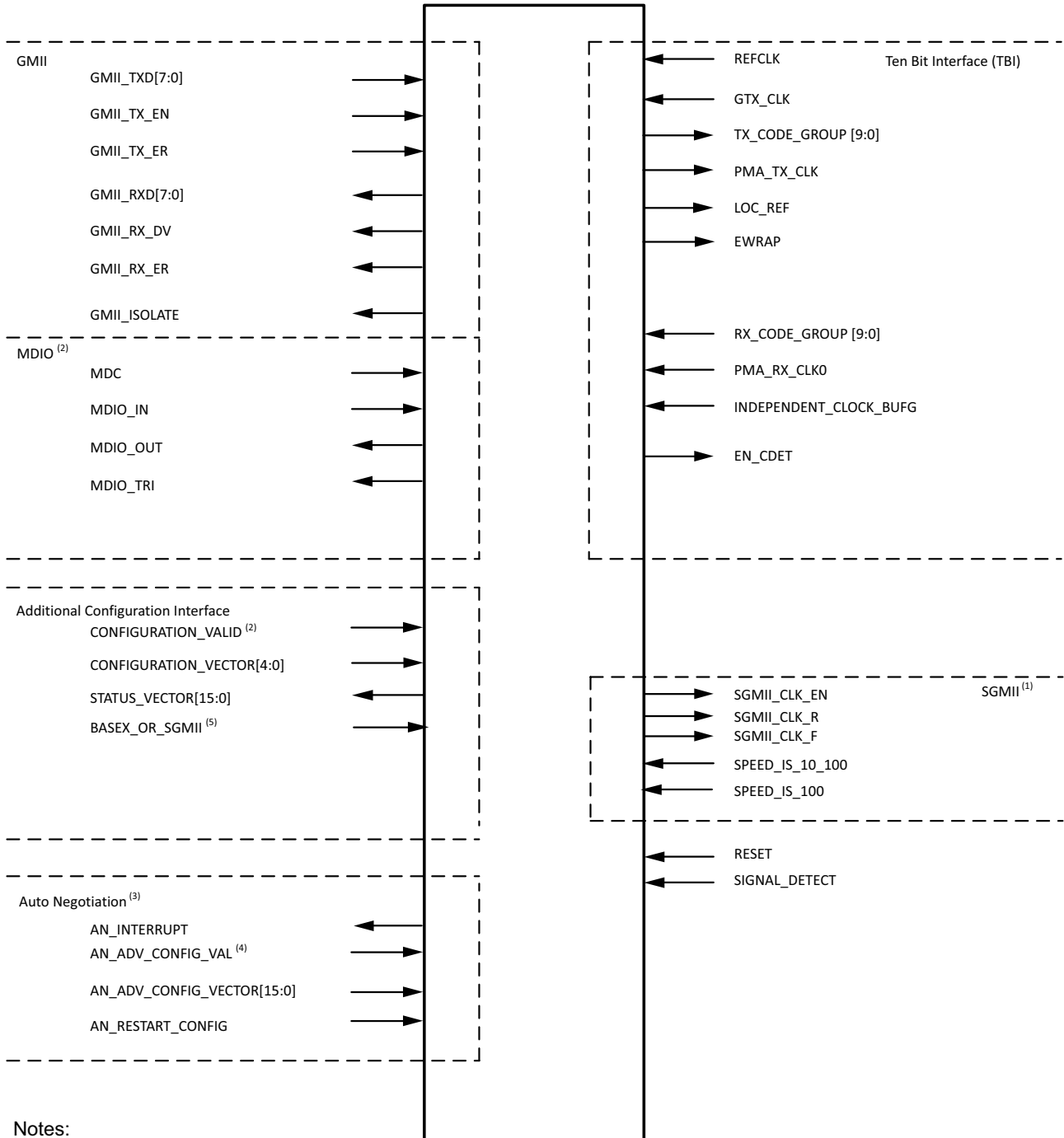


Figure 2-9: Pin Out of Block using TBI Mode

Block Client Side Interface

This interface contains a set of the GMII interface, the optional management interface if supported, and configuration vectors.

GMII Pinout

In the MAC mode this interface is expected to be connected to the GMII interface of Tri Mode Ethernet MAC core (TEMAC). In the PHY mode, this interface is brought out onto the pads.

See [Table 2-18](#) of GMII Interface Signals Pinout for these signals.

MDIO Management Interface Pinout (Optional)

See [Table 2-21](#) of MDIO Management Interface Pinout section for these signals.

Additional Configuration Vector Interface

See [Table 2-22](#) of Additional Configuration and Status Vectors and [Table 2-24](#) of Optional Dynamic Standard Switching Signals for these signals.

Auto-Negotiation Signal Pinout (Optional)

See [Table 2-23](#) of Auto Negotiation Interface Pinout section for these signals.

Block Physical Side Interface

Transceiver Interface for TBI Physical interface Pinout

See [Table 2-28](#) TBI Physical Interface Pinout section for these signals.

Table 2-37: SGMII Interface Pinout

Signal	Direction	Description
sgmii_clk_en	Output	Clock for GMII transmit data
sgmii_clk_f	Output	Differential clock for GMII transmit data
sgmii_clk_r	Output	Differential clock for GMII transmit data
speed_is_10_100	Input	Speed control for controlling operating speed of SGMII interface
speed_is_100	Input	Speed control for controlling operating speed of SGMII interface

Additional Configuration Vector Interface

See [Additional Client-Side SGMII Logic in Chapter 8](#) for more details.

Other Common Signals

See [Table 2-19](#) and [Table 2-20](#) of other common signal Pinout section for these signals.

Register Space

This section provides general guidelines for configuring and monitoring the Ethernet 1000BASE-X PCS/PMA or SGMII core, including a detailed description of the core management registers. It also describes Configuration Vector and status signals, an alternative to using the optional MDIO Management interface.

MDIO Management Interface

When the optional MDIO Management interface is selected, configuration and status of the core is achieved by the Management registers accessed through the serial Management Data Input/Output Interface (MDIO).

MDIO Bus System

The MDIO interface for 1 Gb/s operation (and slower speeds) is defined in IEEE 802.3-2008, clause 22. [Figure 2-10](#) illustrates an example MDIO bus system. This two-wire interface consists of a clock (MDC) and a shared serial data line (MDIO). The maximum permitted frequency of Management Data Clock (MDC) is set at 2.5 MHz. An Ethernet MAC is shown as the MDIO bus master (the Station Management (STA) entity). Two PHY devices are shown connected to the same bus, both of which are MDIO slaves (MDIO Managed Device (MMD) entities).

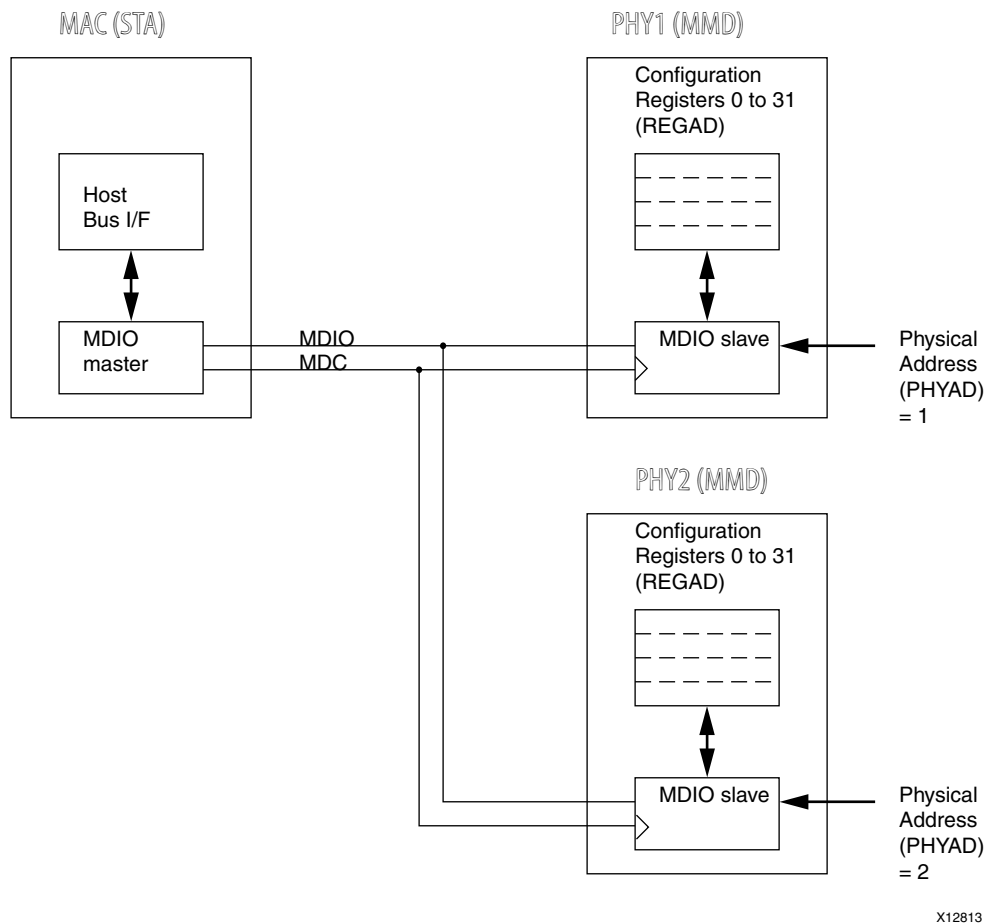


Figure 2-10: A Typical MDIO-Managed System

The MDIO bus system is a standardized interface for accessing the configuration and status registers of Ethernet PHY devices. In the example illustrated, the Management Host Bus I/F of the Ethernet MAC is able to access the configuration and status registers of two PHY devices using the MDIO bus.

MDIO Transactions

All transactions, read or write, are initiated by the MDIO master. All MDIO slave devices, when addressed, must respond. MDIO transactions take the form of an MDIO frame, containing fields for transaction type, address and data. This MDIO frame is transferred across the MDIO wire synchronously to MDC. The abbreviations are used in this section are explained in [Table 2-38](#).

Table 2-38: Abbreviations and Terms

Abbreviation	Term
PRE	Preamble
ST	Start of frame
OP	Operation code
PHYAD	Physical address
REGAD	Register address
TA	Turnaround

Write Transaction

Figure 2-11 shows a write transaction across the MDIO, defined as OP="01." The addressed PHY device (with physical address PHYAD) takes the 16-bit word in the Data field and writes it to the register at REGAD.

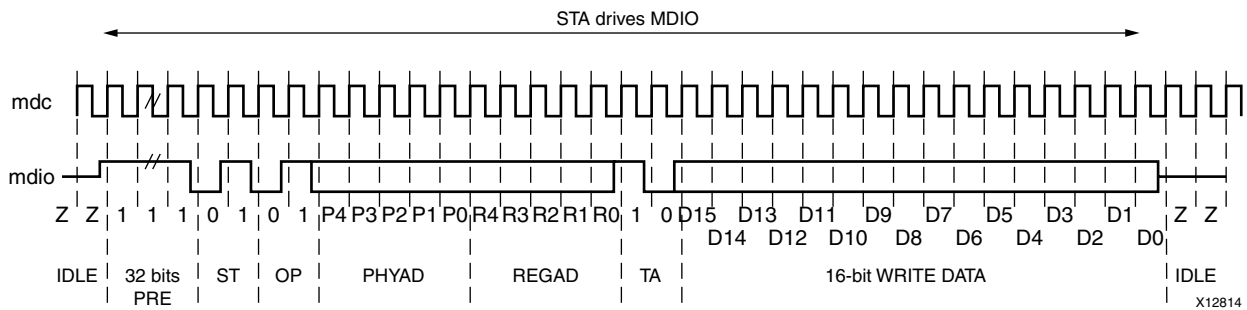


Figure 2-11: MDIO Write Transaction

Read Transaction

Figure 2-12 shows a read transaction, defined as OP="10." The addressed PHY device (with physical address PHYAD) takes control of the MDIO wire during the turnaround cycle and then returns the 16-bit word from the register at REGAD.

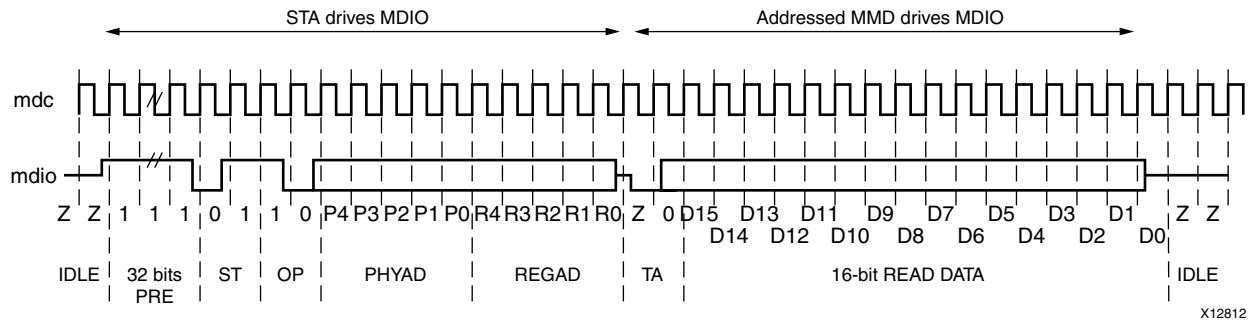


Figure 2-12: MDIO Read Transaction

MDIO Addressing

MDIO Addresses consists of two stages: Physical Address (PHYAD) and Register Address (REGAD).

Physical Address (PHYAD)

As shown in Figure 2-10, two PHY devices are attached to the MDIO bus. Each of these has a different physical address. To address the intended PHY, its physical address should be known by the MDIO master (in this case an Ethernet MAC) and placed into the PHYAD field of the MDIO frame (see MDIO Transactions).

The PHYAD field for an MDIO frame is a 5-bit binary value capable of addressing 32 unique addresses. However, every MDIO slave must respond to physical address 0. This requirement dictates that the physical address for any particular PHY must not be set to 0 to avoid MDIO contention. Physical Addresses 1 through to 31 can be used to connect up to 31 PHY devices onto a single MDIO bus.

Physical Address 0 can be used to write a single command that is obeyed by all attached PHYs, such as a reset or power-down command.

Register Address (REGAD)

Having targeted a particular PHY using PHYAD, the individual configuration or status register within that particular PHY must now be addressed. This is achieved by placing the individual register address into the REGAD field of the MDIO frame (see MDIO Transactions).

The REGAD field for an MDIO frame is a 5-bit binary value capable of addressing 32 unique addresses. The first 16 of these (registers 0 to 15) are defined by the IEEE 802.3-2008. The remaining 16 (registers 16 to 31) are reserved for PHY vendors own register definitions.

For details of the register map of PHY layer devices and a more extensive description of the operation of the MDIO Interface, see IEEE 802.3-2008.

Connecting the MDIO to an Internally Integrated STA

The MDIO ports of the Ethernet 1000BASE-X PCS/PMA or SGMII core can be connected to the MDIO ports of an internally integrated Station Management (STA) entity, such as the MDIO port of the Tri-Mode Ethernet MAC core (see [Chapter 11, Interfacing to Other Cores](#)).

Connecting the MDIO to an External STA

Figure 2-13 shows the MDIO ports of the Ethernet 1000BASE-X PCS/PMA or SGMII core connected to the MDIO of an external STA entity. In this situation, `mdio_in`, `mdio_out`, and `mdio_tri` must be connected to a 3-state buffer to create a bidirectional wire, `mdio`. This 3-state buffer can either be external to the FPGA or internally integrated by using an IOB IOBUF component with an appropriate SelectIO™ interface standard suitable for the external PHY.

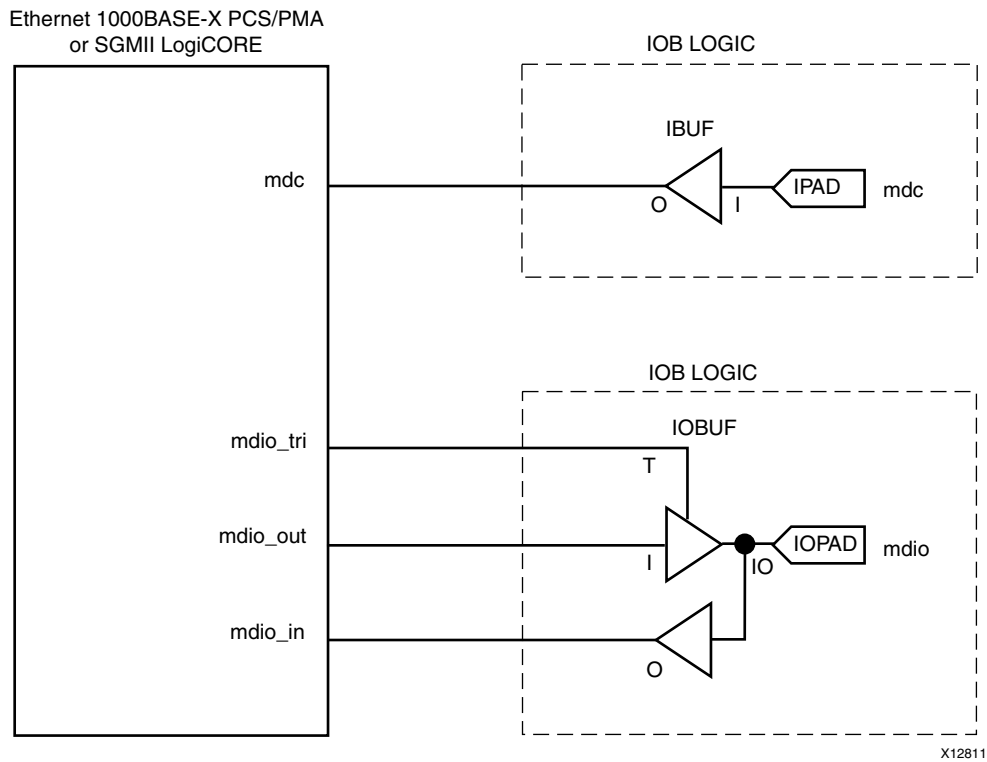


Figure 2-13: Creating an External MDIO Interface

Management Registers

The contents of the Management registers can be accessed using the REGAD field of the MDIO frame. Contents vary depending on the IP catalog tool options, and are defined in the following sections in this guide.

- [1000BASE-X Standard Using the Optional Auto-Negotiation](#)
- [1000BASE-X Standard Without the Optional Auto-Negotiation](#)
- [SGMII Standard Using the Optional Auto-Negotiation](#)
- [SGMII Standard without the Optional Auto-Negotiation](#)
- [Both 1000BASE-X and SGMII Standards](#)

The core can be reset three ways: reset, DCM_LOCKED and soft reset. All of these methods reset all the registers to the default values.

1000BASE-X Standard Using the Optional Auto-Negotiation

More information on the 1000BASE-X PCS registers can be found in clause 22 and clause 37 of the IEEE 802.3-2006 specification. Registers at undefined addresses are read-only and return 0s. The core can be reset three ways: reset, DCM_LOCKED and soft reset. All of these methods reset all the registers to the default values.

Table 2-39: MDIO Registers for 1000BASE-X with Auto-Negotiation

Register Address	Register Name
0	Control register
1	Status register
2,3	PHY Identifier
4	Auto-Negotiation Advertisement register
5	Auto-Negotiation Link Partner Ability Base register
6	Auto-Negotiation Expansion register
7	Auto-Negotiation Next Page Transmit register
8	Auto-Negotiation Next Page Receive register
15	Extended Status register
16	Vendor Specific: Auto-Negotiation Interrupt Control

Register 0: Control Register

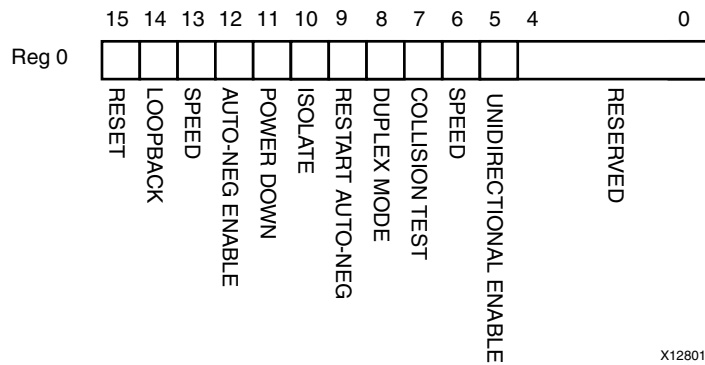


Figure 2-14: MDIO Register 0: Control Register

This register can also be programmed using the Optional Configuration Interface.

Table 2-40: Control Register (Register 0)

Bits	Name	Description	Attributes	Default Value
0.15	Reset	1 = Core Reset 0 = Normal Operation	Read/write Self clearing	0
0.14	Loopback	1 = Enable Loopback Mode 0 = Disable Loopback Mode When used with a device-specific transceiver, the core is placed in internal loopback mode. With the TBI version, Bit 1 is connected to ewrap. When set to 1, indicates to the external PMA module to enter loopback mode. See Loopback .	Read/write	0
0.13	Speed Selection (LSB)	Always returns a 0 for this bit. Together with bit 0.6, speed selection of 1000 Mb/s is identified	Returns 0	0
0.12	Auto-Negotiation Enable	1 = Enable Auto-Negotiation Process 0 = Disable Auto-Negotiation Process	Read/write	1
0.11	Power Down	1 = Power down 0 = Normal operation With the PMA option, when set to 1 the device-specific transceiver is placed in a low-power state. This bit requires a reset (see bit 0.15) to clear. With the TBI version this register bit has no effect.	Read/ write	0
0.10	Isolate	1 = Electrically Isolate PHY from GMII 0 = Normal operation	Read/write	1

Table 2-40: Control Register (Register 0) (Cont'd)

Bits	Name	Description	Attributes	Default Value
0.9	Restart Auto-Negotiation	1 = Restart Auto-Negotiation Process 0 = Normal Operation	Read/write Self clearing	0
0.8	Duplex Mode	Always returns a 1 for this bit to signal Full-Duplex Mode.	Returns 1	1
0.7	Collision Test	Always returns a 0 for this bit to disable COL test.	Returns 0	0
0.6	Speed Selection (MSB)	Always returns a 1 for this bit. Together with bit 0.13, speed selection of 1000 Mb/s is identified.	Returns 1	1
0.5	Unidirectional Enable	Enable transmit regardless of whether a valid link has been established. This feature is only possible if Auto-Negotiation Enable bit 0.12 is disabled	Read/ write	0
0.4:0	Reserved	Always return 0s, writes ignored.	Returns 0s	00000

This register can also be programmed using the Optional Configuration Interface.

Register 1: Status Register

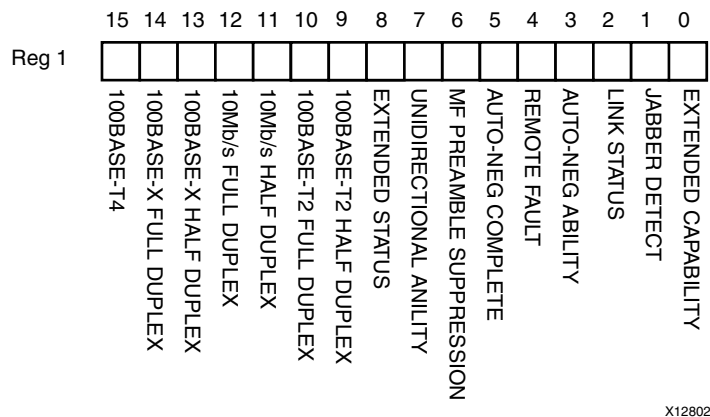


Figure 2-15: MDIO Register 1: Status Register

Table 2-41: Status Register (Register 1)

Bits	Name	Description	Attributes	Default Value
1.15	100BASE-T4	Always returns a 0 as 100BASE-T4 is not supported.	Returns 0	0
1.14	100BASE-X Full Duplex	Always returns a 0 as 100BASE-X full duplex is not supported.	Returns 0	0
1.13	100BASE-X Half Duplex	Always returns a 0 as 100BASE-X half duplex is not supported.	Returns 0	0
1.12	10 Mb/s Full Duplex	Always returns a 0 as 10 Mb/s full duplex is not supported.	Returns 0	0
1.11	10 Mb/s Half Duplex	Always returns a 0 as 10 Mb/s half duplex is not supported	Returns 0	0
1.10	100BASE-T2 Full Duplex	Always returns a 0 as 100BASE-T2 full duplex is not supported.	Returns 0	0
1.9	100BASE-T2 Half Duplex	Always returns a 0 as 100BASE-T2 Half Duplex is not supported.	Returns 0	0
1.8	Extended Status	Always returns a 1 to indicate the presence of the Extended register (Register 15).	Returns 1	1
1.7	Unidirectional Ability	Always returns a 1, writes ignored	Returns 1	1
1.6	MF Preamble Suppression	Always returns a 1 to indicate that Management Frame Preamble Suppression is supported.	Returns 1	1
1.5	Auto- Negotiation Complete	1 = Auto-Negotiation process completed 0 = Auto-Negotiation process not completed	Read only	0
1.4	Remote Fault	1 = Remote fault condition detected 0 = No remote fault condition detected	Read only Self-clearing on read	0
1.3	Auto- Negotiation Ability	Always returns a 1 for this bit to indicate that the PHY is capable of Auto-Negotiation.	Returns 1	1
1.2	Link Status	1 = Link is up 0 = Link is down (or has been down) Latches 0 if Link Status goes down. Clears to current Link Status on read. See the following Link Status section for further details.	Read only Self-clearing on read	0
1.1	Jabber Detect	Always returns a 0 for this bit because Jabber Detect is not supported.	Returns 0	0
1.0	Extended Capability	Always returns a 0 for this bit because no extended register set is supported.	Returns 0	0

Link Status

When High, the link is valid and has remained valid after this register was last read; synchronization of the link has been obtained and Auto-Negotiation (if enabled) has completed.

When Low, either:

- A valid link has not been established: link synchronization has failed or Auto-Negotiation (if enabled) has failed to complete.

OR

- Link synchronization was lost at some point after this register was previously read. However, the current link status might be good. *Therefore read this register a second time to get confirmation of the current link status.*

Regardless of whether Auto-Negotiation is enabled or disabled, there can be some delay to the deassertion of Link Status following the loss of synchronization of a previously successful link. This is due to the Auto-Negotiation state machine which requires that synchronization is lost for an entire link timer duration before changing state. For more information, see the 802.3 specification (the *an_sync_status* variable).

Registers 2 and 3: PHY Identifiers

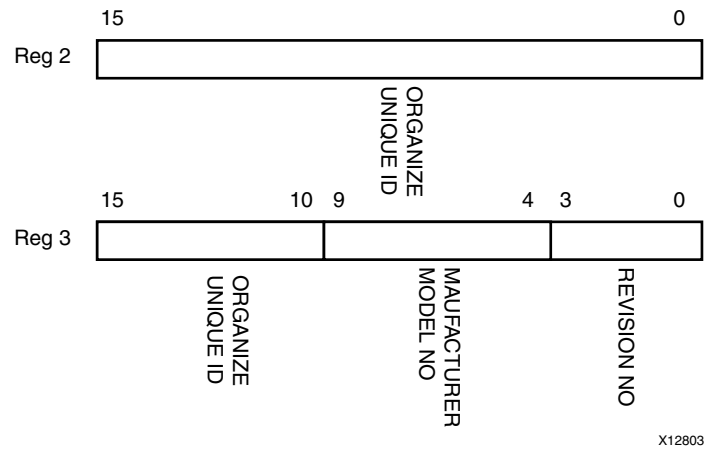


Figure 2-16: Registers 2 and 3: PHY Identifiers

Table 2-42: PHY Identifier (Registers 2 and 3)

Bits	Name	Description	Attributes	Default Value
2.15:0	Organizationally Unique Identifier	Always return 0s	returns 0s	0000000000000000
3.15:10	Organizationally Unique Identifier	Always return 0s	returns 0s	000000
3.9:4	Manufacturer model number	Always return 0s	returns 0s	000000
3.3:0	Revision Number	Always return 0s	returns 0s	0000

Register 4: Auto-Negotiation Advertisement

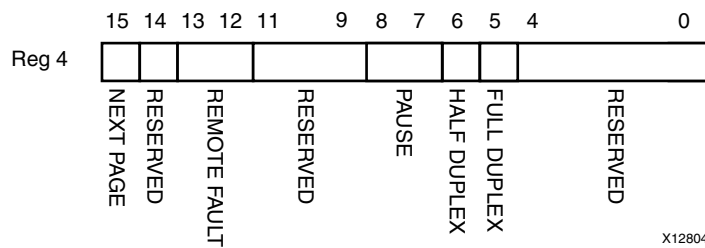


Figure 2-17: MDIO Register 4: Auto-Negotiation Advertisement

This register can also be programmed using the Optional Auto-Negotiation Configuration Interface.

Table 2-43: Auto-Negotiation Advertisement Register (Register 4)

Bits	Name	Description	Attributes	Default Value
4.15	Next Page	Core currently does not support Next Page. Can be enabled, if requested. Writes ignored.	read/write	0
4.14	Reserved	Always returns 0, writes ignored	returns 0	0
4.13:12	Remote Fault	00 = No Error 01 = Offline 10 = Link Failure 11 = Auto-Negotiation Error	read/write self clearing to 00 after Auto-Negotiation	00
4.11:9	Reserved	Always return 0s, writes ignored	returns 0	0
4.8:7	Pause	00 = No PAUSE 01 = Symmetric PAUSE 10 = Asymmetric PAUSE towards link partner 11 = Both Symmetric PAUSE and Asymmetric PAUSE towards link partner	read/write	11
4.6	Half Duplex	Always returns a 0 for this bit because Half Duplex Mode is not supported	returns 0	0
4.5	Full Duplex	1 = Full Duplex Mode is advertised 0 = Full Duplex Mode is not advertised	read/write	1
4.4:0	Reserved	Always return 0s, writes ignored	returns 0s	00000

Register 5: Auto-Negotiation Link Partner Base

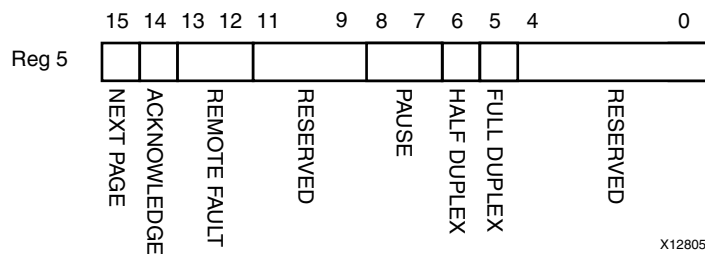


Figure 2-18: MDIO Register 5: Auto-Negotiation Link Partner Base

Table 2-44: Auto-Negotiation Link Partner Ability Base Register (Register 5)

Bits	Name	Description	Attributes	Default Value
5.15	Next Page	1 = Next Page functionality is supported 0 = Next Page functionality is not supported	read only	0
5.14	Acknowledge	Used by Auto-Negotiation function to indicate reception of a link partner base or next page	read only	0
5.13:12	Remote Fault	00 = No Error 01 = Offline 10 = Link Failure 11 = Auto-Negotiation Error	read only	00
5.11:9	Reserved	Always return 0s	returns 0s	000
5.8:7	Pause	00 = No PAUSE 01 = Symmetric PAUSE 10 = Asymmetric PAUSE towards link partner 11 = Both Symmetric PAUSE and Asymmetric PAUSE supported	read only	00
5.6	Half Duplex	1 = Half Duplex Mode is supported 0 = Half Duplex Mode is not supported	read only	0
5.5	Full Duplex	1 = Full Duplex Mode is supported 0 = Full Duplex Mode is not supported	read only	0
5.4:0	Reserved	Always return 0s	returns 0s	00000

Register 6: Auto-Negotiation Expansion

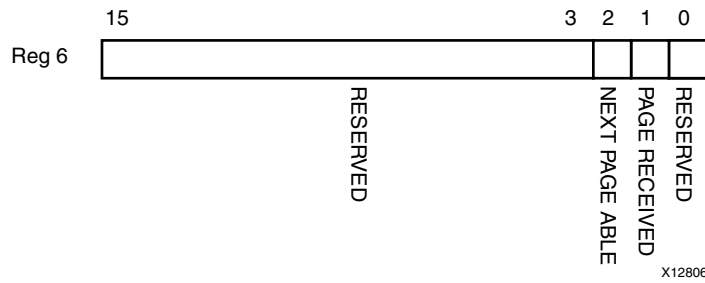


Figure 2-19: MDIO Register 6: Auto-Negotiation Expansion

Table 2-45: Auto-Negotiation Expansion Register (Register 6)

Bits	Name	Description	Attributes	Default Value
6.15:3	Reserved	Always returns 0s	returns 0s	0000000000000
6.2	Next Page Able	This bit is ignored as the core currently does not support next page. This feature can be enabled on request.	returns 1	1
6.1	Page Received	1 = A new page has been received 0 = A new page has not been received	read only self clearing on read	0
6.0	Reserved	Always returns 0s	returns 0s	0000000

Register 7: Next Page Transmit

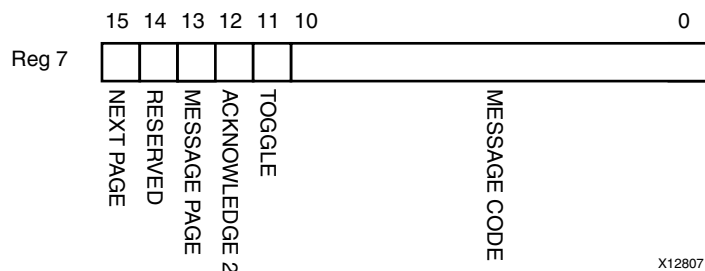


Figure 2-20: MDIO Register 7: Next Page Transmit

Table 2-46: Auto-Negotiation Next Page Transmit (Register 7)

Bits	Name	Description	Attributes	Default Value ¹
7.15	Next Page	1 = Additional Next Page(s) will follow 0 = Last page	read/ write	0
7.14	Reserved	Always returns 0	returns 0	0
7.13	Message Page	1 = Message Page 0 = Unformatted Page	read/ write	1
7.12	Acknowledge 2	1 = Comply with message 0 = Cannot comply with message	read/ write	0
7.11	Toggle	Value toggles between subsequent Next Pages	read only	0
7.10:0	Message / Unformatted Code Field	Message Code Field or Unformatted Page Encoding as dictated by 7.13	read/ write	0000000001 (Null Message Code)

Notes:

1. This register returns the default values as the core currently does not support next page. This feature can be enabled on request.

Register 8: Next Page Receive

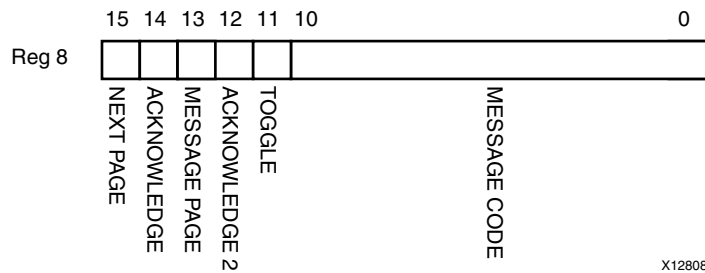


Figure 2-21: MDIO Register 8: Next Page Receive

Table 2-47: Auto-Negotiation Next Page Receive (Register 8)

Bits	Name	Description	Attributes	Default Value
8.15	Next Page	1 = Additional Next Page(s) will follow 0 = Last page	read only	0
8.14	Acknowledge	Used by Auto-Negotiation function to indicate reception of a link partner base or next page	read only	0
8.13	Message Page	1 = Message Page 0 = Unformatted Page	read only	0

Table 2-47: Auto-Negotiation Next Page Receive (Register 8) (Cont'd)

Bits	Name	Description	Attributes	Default Value
8.12	Acknowledge 2	1 = Comply with message 0 = Cannot comply with message	read only	0
8.11	Toggle	Value toggles between subsequent Next Pages	read only	0
8.10:0	Message / Unformatted Code Field	Message Code Field or Unformatted Page Encoding as dictated by 8.13	read only	00000000000

Register 15: Extended Status

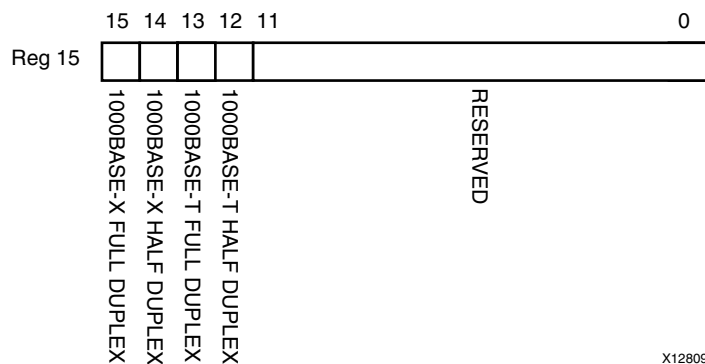


Figure 2-22: MDIO Register 15: Extended Status Register

Table 2-48: Extended Status Register (Register 15)

Bits	Name	Description	Attributes	Default Value
15.15	1000BASE-X Full Duplex	Always returns a 1 for this bit because 1000BASE-X Full Duplex is supported	returns 1	1
15.14	1000BASE-X Half Duplex	Always returns a 0 for this bit because 1000BASE-X Half Duplex is not supported	returns 0	0
15.13	1000BASE-T Full Duplex	Always returns a 0 for this bit because 1000BASE-T Full Duplex is not supported	returns 0	0
15.12	1000BASE-T Half Duplex	Always returns a 0 for this bit because 1000BASE-T Half Duplex is not supported	returns 0	0
15:11:0	Reserved	Always return 0s	returns 0s	00000000000

Register 16: Vendor-Specific Auto-Negotiation Interrupt Control

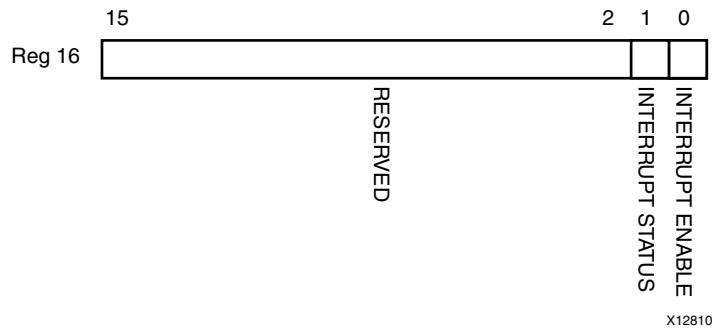


Figure 2-23: MDIO Register 16: Vendor Specific Auto-Negotiation Interrupt Control

Table 2-49: Vendor Specific Register: Auto-Negotiation Interrupt Control Register (Register 16)

Bits	Name	Description	Attributes	Default Value
16.15:2	Reserved	Always return 0s	returns 0s	00000000000000
16.1	Interrupt Status	1 = Interrupt is asserted 0 = Interrupt is not asserted If the interrupt is enabled, this bit is asserted on the completion of an Auto-Negotiation cycle; it is only cleared by writing 0 to this bit. If the Interrupt is disabled, the bit is set to 0. Note: The an_interrupt port of the core is wired to this bit.	read/ write	0
16.0	Interrupt Enable	1 = Interrupt enabled 0 = Interrupt disabled	read/ write	1

1000BASE-X Standard Without the Optional Auto-Negotiation

It is not in the scope of this document to fully describe the 1000BASE-X PCS registers. See clauses 22 and 37 of the IEEE 802.3-2008 specification for further information.

Registers at undefined addresses are read-only and return 0s. The core can be reset three ways: reset, DCM_LOCKED and soft reset. All of these methods reset all the registers to the default values.

Table 2-50: MDIO Registers for 1000BASE-X without Auto-Negotiation

Register Address	Register Name
0	Control register
1	Status register
2,3	PHY Identifier
15	Extended Status register

Register 0: Control Register

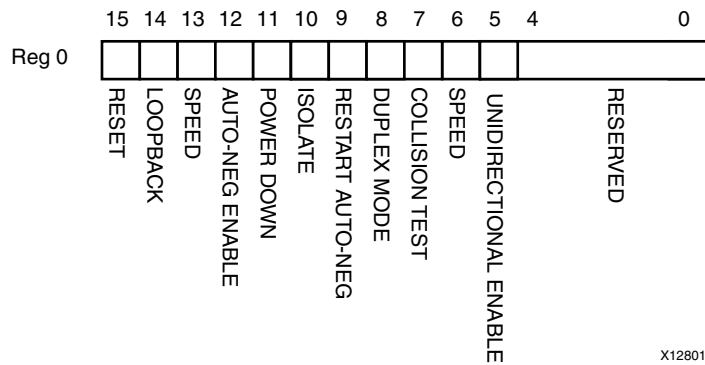


Figure 2-24: MDIO Register 0: Control Register

This register can also be programmed using the Optional Configuration Interface.

Table 2-51: Control Register (Register 0)

Bits	Name	Description	Attributes	Default Value
0.15	Reset	1 = PCS/PMA reset 0 = Normal Operation	read/write self clearing	0
0.14	Loopback	1 = Enable Loopback Mode 0 = Disable Loopback Mode When used with a device-specific transceiver, the core is placed in internal loopback mode. With the TBI version, Bit 1 is connected to ewrap. When set to 1 indicates to the external PMA module to enter loopback mode. See Loopback .	read/write	0
0.13	Speed Selection (LSB)	Always returns a 0 for this bit. Together with bit 0.6, speed selection of 1000 Mb/s is identified.	returns 0	0
0.12	Auto-Negotiation Enable	Ignore this bit because Auto-Negotiation is not included.	read/ write	1
0.11	Power Down	1 = Power down 0 = Normal operation With the PMA option, when set to 1 the device-specific transceiver is placed in a low- power state. This bit requires a reset (see bit 0.15) to clear. With the TBI version this register bit has no effect.	read/ write	0

Table 2-51: Control Register (Register 0) (Cont'd)

Bits	Name	Description	Attributes	Default Value
0.10	Isolate	1 = Electrically Isolate PHY from GMII 0 = Normal operation	read/write	1
0.9	Restart Auto-Negotiation	Ignore this bit because Auto-Negotiation is not included.	read/ write	0
0.8	Duplex Mode	Always returns a 1 for this bit to signal Full-Duplex Mode.	returns 1	1
0.7	Collision Test	Always returns a 0 for this bit to disable COL test.	returns 0	0
0.6	Speed Selection (MSB)	Always returns a 1for this bit. Together with bit 0.13, speed selection of 1000 Mb/s is identified	returns 1	1
0.5	Unidirectional Enable	Enables transmit irrespective of receive. Unidirectional feature is enabled automatically when this bit is set because optional Auto-Negotiation is not present.	read/ write	0
0.4:0	Reserved	Always return 0s , writes ignored.	returns 0s	00000

Register 1: Status Register

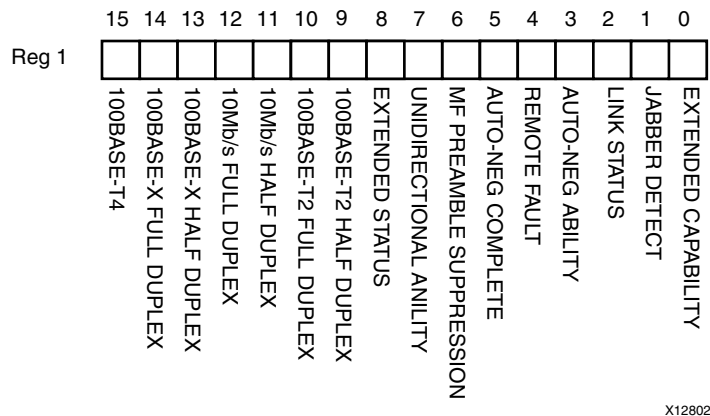


Figure 2-25: MDIO Register 1: Status Register

Table 2-52: Status Register (Register 1)

Bits	Name	Description	Attributes	Default Value
1.15	100BASE-T4	Always returns a 0 for this bit because 100BASE-T4 is not supported	returns 0	0
1.14	100BASE-X Full Duplex	Always returns a 0 for this bit because 100BASE-X Full Duplex is not supported	returns 0	0
1.13	100BASE-X Half Duplex	Always returns a 0 for this bit because 100BASE-X Half Duplex is not supported	returns 0	0
1.12	10 Mb/s Full Duplex	Always returns a 0 for this bit because 10 Mb/s Full Duplex is not supported	returns 0	0
1.11	10 Mb/s Half Duplex	Always returns a 0 for this bit because 10 Mb/s Half Duplex is not supported	returns 0	0
1.10	100BASE-T2 Full Duplex	Always returns a 0 for this bit because 100BASE-T2 Full Duplex is not supported	returns 0	0
1.9	100BASE-T2 Half Duplex	Always returns a 0 for this bit because 100BASE-T2 Half Duplex is not supported	returns 0	0
1.8	Extended Status	Always returns a 1 for this bit to indicate the presence of the Extended register (Register 15)	returns 1	1
1.7	Unidirectional Ability	Always returns 1, writes ignored	returns 1	1
1.6	MF Preamble Suppression	Always returns a 1 for this bit to indicate that Management Frame Preamble Suppression is supported	returns 1	1
1.5	Auto- Negotiation Complete	Ignore this bit because Auto-Negotiation is not included.	returns 1	1
1.4	Remote Fault	Always returns a 0 for this bit because Auto-Negotiation is not included.	returns 0	0
1.3	Auto- Negotiation Ability	Ignore this bit because Auto-Negotiation is not included.	returns 0	0
1.2	Link Status	1 = Link is up 0 = Link is down Latches 0 if Link Status goes down. Clears to current Link Status on read. See the following Link Status section for further details.	read only self clearing on read	0
1.1	Jabber Detect	Always returns a 0 for this bit because Jabber Detect is not supported	returns 0	0
1.0	Extended Capability	Always returns a 0 for this bit because no extended register set is supported	returns 0	0

Link Status

When High, the link is valid and has remained valid after this register was last read; synchronization of the link has been obtained.

When Low, either:

- A valid link has not been established; link synchronization has failed.
- OR
- Link synchronization was lost at some point after this register was previously read. However, the current link status might be good. *Therefore read this register a second time to get confirmation of the current link status.*

Registers 2 and 3: PHY Identifier

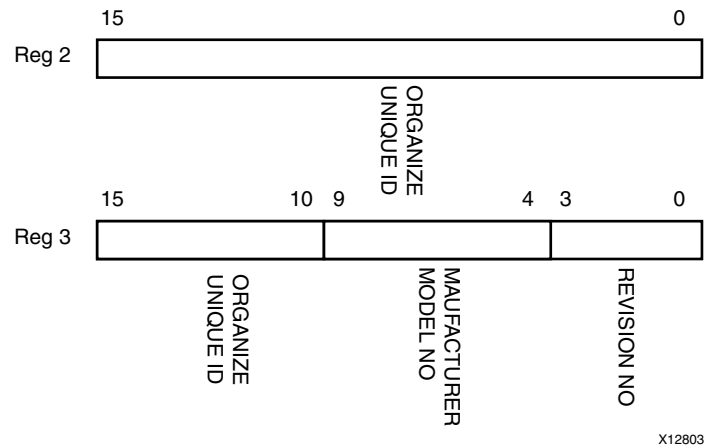
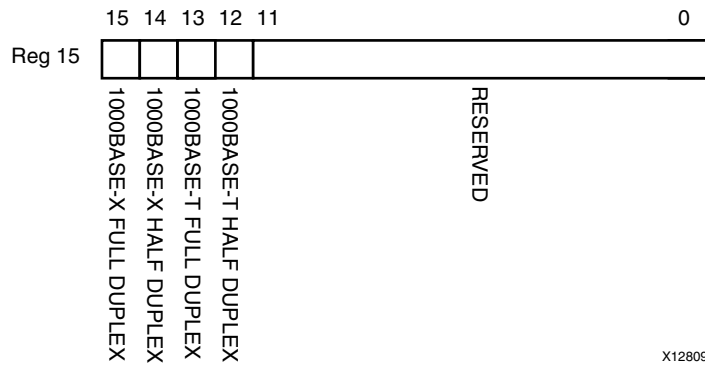


Figure 2-26: MDIO Registers 2 and 3: PHY Identifier

Table 2-53: PHY Identifier (Registers 2 and 3)

Bits	Name	Description	Attributes	Default Value
2.15:0	Organizationally Unique Identifier	Always return 0s	returns 0s	0000000000000000
3.15:10	Organizationally Unique Identifier	Always return 0s	returns 0s	000000
3.9:4	Manufacturer model number	Always return 0s	returns 0s	000000
3.3:0	Revision Number	Always return 0s	returns 0s	0000

Register 15: Extended Status



X12809

Figure 2-27: MDIO Register 15: Extended Status

Table 2-54: Extended Status (Register 15)

Bits	Name	Description	Attributes	Default Value
15.15	1000BASE-X Full Duplex	Always returns a 1 because 1000BASE-X Full Duplex is supported	returns 1	1
15.14	1000BASE-X Half Duplex	Always returns a 0 because 1000BASE-X Half Duplex is not supported	returns 0	0
15.13	1000BASE-T Full Duplex	Always returns a 0 because 1000BASE-T Full Duplex is not supported	returns 0	0
15.12	1000BASE-T Half Duplex	Always returns a 0 because 1000BASE-T Half Duplex is not supported	returns 0	0
15:11:0	Reserved	Always return 0s	returns 0s	000000000000

SGMII Standard Using the Optional Auto-Negotiation

The registers provided for SGMII operation in this core are adaptations of those defined in clauses 22 and 37 of the IEEE 802.3-2008 specification. In an SGMII implementation, two different types of links exist. They are the SGMII link between the MAC and PHY (SGMII link) and the link across the Ethernet Medium itself (Medium). See [Figure 9-2, page 233](#).

Information regarding the state of both of these links is contained within the following registers. Where applicable, the abbreviations *SGMII link* and *Medium* are used in the register descriptions. Registers at undefined addresses are read-only and return 0s. The core can be reset three ways: reset, DCM_LOCKED and soft reset. All of these methods reset all the registers to the default values.

Table 2-55: MDIO Registers for SGMII with Auto-Negotiation

Register Address	Register Name
0	SGMII Control register
1	SGMII Status register
2,3	PHY Identifier
4	SGMII Auto-Negotiation Advertisement register
5	SGMII Auto-Negotiation Link Partner Ability Base register
6	SGMII Auto-Negotiation Expansion register
7	SGMII Auto-Negotiation Next Page Transmit register
8	SGMII Auto-Negotiation Next Page Receive register
15	SGMII Extended Status register
16	SGMII Vendor Specific: Auto-Negotiation Interrupt Control

Register 0: SGMII Control

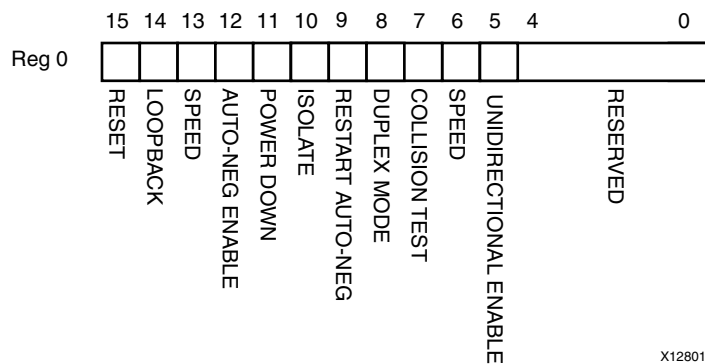


Figure 2-28: MDIO Register 0: SGMII Control

This register can also be programmed using the Optional Configuration Interface.

Table 2-56: SGMII Control (Register 0)

Bits	Name	Description	Attributes	Default Value
0.15	Reset	1 = Core Reset 0 = Normal Operation	read/write self clearing	0
0.14	Loopback	1 = Enable Loopback Mode 0 = Disable Loopback Mode When used with a device-specific transceiver, the core is placed in internal loopback mode. With the TBI version, Bit 1 is connected to ewrap. When set to 1 indicates to the external PMA module to enter loopback mode. See Loopback .	read/write	0
0.13	Speed Selection (LSB)	11 = Reserved 10 = 1 Gb/s 01 = 100 Mb/s 00 = 10 Mb/s Zynq-7000 AP SoC PS Gigabit Ethernet Controller mode, identifies with bit 0.13 of Control register specified in IEEE 802.3-2008. Returns 0 in any other mode, together with bit 0.6, speed selection of 1000 Mb/s is identified	read/write in Zynq-7000 AP SoC PS Gigabit Ethernet Controller mode. Returns 0 in any other mode	0
0.12	Auto-Negotiation Enable	1 = Enable SGMII Auto-Negotiation Process 0 = Disable SGMII Auto-Negotiation Process	read/write	1
0.11	Power Down	1 = Power down 0 = Normal operation With the PMA option, when set to 1 the device-specific transceiver is placed in a low-power state. This bit requires a reset (see bit 0.15) to clear. With the TBI version this register bit has no effect.	read/ write	0
0.10	Isolate	1 = Electrically Isolate SGMII logic from GMII 0 = Normal operation	read/write	1
0.9	Restart Auto-Negotiation	1 = Restart Auto-Negotiation Process across SGMII link 0 = Normal Operation	read/write self clearing	0
0.8	Duplex Mode	Always returns a 1 for this bit to signal Full-Duplex Mode	returns 1	1

Table 2-56: SGMII Control (Register 0) (Cont'd)

Bits	Name	Description	Attributes	Default Value
0.7	Collision Test	Always returns a 0 for this bit to disable COL test	returns 0	0
0.6	Speed Selection (MSB)	11 = Reserved 10 = 1 Gb/s 01 = 100 Mb/s 00 = 10 Mb/s Zynq-7000 AP SoC PS Gigabit Ethernet Controller mode, identifies with bit 0.6 of Control register specified in IEEE 802.3-2008. Returns 1 in any other mode, together with bit 0.13, speed selection of 1000 Mb/s is identified	read/write in Zynq-7000 AP SoC PS Gigabit Ethernet Controller mode. Returns 1 in any other mode	1
0.5	Unidirectional Enable	Enable transmit regardless of whether a valid link has been established. This feature is only possible if Auto-Negotiation Enable bit 0.12 is disabled.	read/ write	0
0.4:0	Reserved	Always return 0s , writes ignored	returns 0s	00000

Register 1: SGMII Status

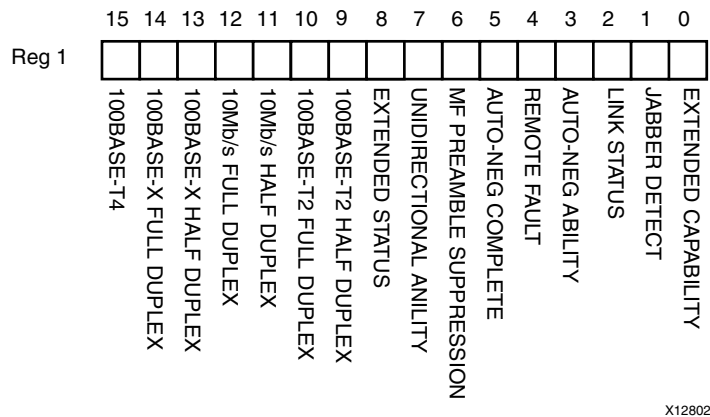


Figure 2-29: MDIO Register 1: SGMII Status

Table 2-57: SGMII Status (Register 1)

Bits	Name	Description	Attributes	Default Value
1.15	100BASE-T4	Always returns a 0 for this bit because 100BASE-T4 is not supported	returns 0	0
1.14	100BASE-X Full Duplex	Always returns a 0 for this bit because 100BASE-X Full Duplex is not supported	returns 0	0
1.13	100BASE-X Half Duplex	Always returns a 0 for this bit because 100BASE-X Half Duplex is not supported	returns 0	0
1.12	10 Mb/s Full Duplex	Always returns a 0 for this bit because 10 Mb/s Full Duplex is not supported	returns 0	0
1.11	10 Mb/s Half Duplex	Always returns a 0 for this bit because 10 Mb/s Half Duplex is not supported	returns 0	0
1.10	100BASE-T2 Full Duplex	Always returns a 0 for this bit because 100BASE-T2 Full Duplex is not supported	returns 0	0
1.9	100BASE-T2 Half Duplex	Always returns a 0 for this bit because 100BASE-T2 Half Duplex is not supported	returns 0	0
1.8	Extended Status	Always returns a 1 for this bit to indicate the presence of the Extended register (Register 15)	returns 1	1
1.7	Unidirectional Ability	Always returns 1, writes ignored	returns 1	1
1.6	MF Preamble Suppression	Always returns a 1 for this bit to indicate that Management Frame Preamble Suppression is supported	returns 1	1
1.5	Auto- Negotiation Complete	1 = Auto-Negotiation process completed across SGMII link 0 = Auto-Negotiation process not completed across SGMII link	read only	0

Table 2-57: SGMII Status (Register 1) (Cont'd)

Bits	Name	Description	Attributes	Default Value
1.4	Remote Fault	1 = A fault on the Medium has been detected 0 = No fault of the Medium has been detected	read only self clearing on read	0
1.3	Auto- Negotiation Ability	Always returns a 1 for this bit to indicate that the SGMII core is capable of Auto-Negotiation	returns 1	1
1.2	SGMII Link Status	1 = SGMII Link is up 0 = SGMII Link is down Latches 0 if SGMII Link Status goes down. Clears to current SGMII Link Status on read. See the following Link Status section for further details.	read only self clearing on read	0
1.1	Jabber Detect	Always returns a 0 for this bit because Jabber Detect is not supported	returns 0	0
1.0	Extended Capability	Always returns a 0 for this bit because no extended register set is supported	returns 0	0

Link Status

When High, the link is valid and has remained valid after this register was last read: synchronization of the link has been obtained and Auto-Negotiation (if enabled) has completed.

When Low, either:

- A valid link has not been established; link synchronization has failed or Auto-Negotiation (if enabled) has failed to complete.

OR

- Link synchronization was lost at some point when the register was previously read. However, the current link status might be good. *Therefore read this register a second time to get confirmation of the current link status.*

Regardless of whether Auto-Negotiation is enabled or disabled, there can be some delay to the deassertion of Link Status following the loss of synchronization of a previously successful link. This is due to the Auto-Negotiation state machine which requires that synchronization is lost for an entire link timer duration before changing state. For more information, see the 802.3 specification (the *an_sync_status* variable).

Registers 2 and 3: PHY Identifier

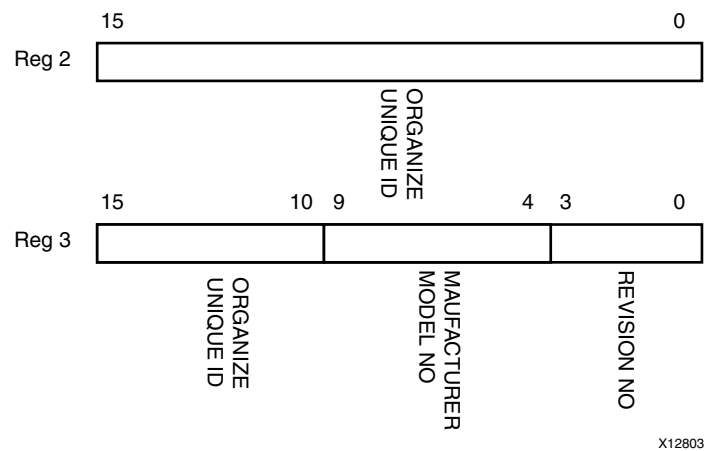


Figure 2-30: MDIO Registers 2 and 3: PHY Identifier

Table 2-58: PHY Identifier (Registers 2 and 3)

Bits	Name	Description	Attributes	Default Value
2.15:0	Organizationally Unique Identifier	Always return 0s	returns 0s	0000000000000000
3.15:10	Organizationally Unique Identifier	Always return 0s	returns 0s	000000
3.9:4	Manufacturer model number	Always return 0s	returns 0s	000000
3.3:0	Revision Number	Always return 0s	returns 0s	0000

Register 4: SGMII Auto-Negotiation Advertisement

MAC Mode of Operation

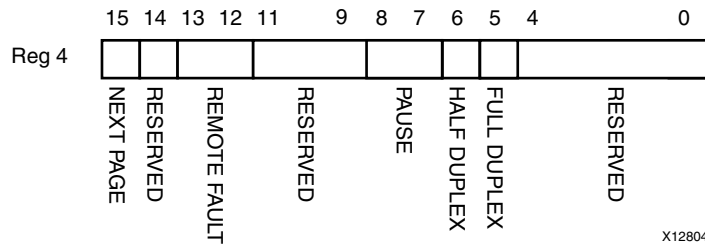


Figure 2-31: MDIO Register 4: SGMII Auto-Negotiation Advertisement

This register can also be programmed using the Optional Auto-Negotiation Configuration Interface.

Table 2-59: SGMII Auto-Negotiation Advertisement (Register 4)

Bits	Name	Description	Attributes	Default Value
4.15:0	All bits	SGMII defined value sent from the MAC to the PHY	read only	0000000000000001

PHY Mode of Operation

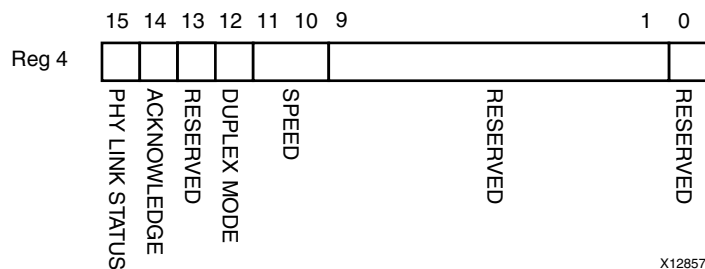


Figure 2-32: MDIO Register 4: SGMII Auto-Negotiation Advertisement

Table 2-60: SGMII Auto-Negotiation Advertisement in PHY Mode (Register 4)

Bits	Name	Description	Attributes	Default Value
4.15	PHY Link Status	This refers to the link status of the PHY with its link partner across the Medium. 1 = Link Up 0 = Link Down	read/write	0
4.14	Acknowledge	Used by Auto-Negotiation function to indicate reception of a link partner base or next page	read/write	0
4.13	Reserved	Always returns 0, writes ignored	returns 0	0

Table 2-60: SGMII Auto-Negotiation Advertisement in PHY Mode (Register 4) (Cont'd)

Bits	Name	Description	Attributes	Default Value
4.12	Duplex Mode	1= Full Duplex 0 = Half Duplex	read/write	0
4.11:10	Speed	11 = Reserved 10 = 1 Gb/s 01 = 100 Mb/s 00 = 10 Mb/s	read/write	00
4.9:1	Reserved	Always return 0s	returns 0s	000000000
4:0	Reserved	Always returns 1	returns 1	1

Register 5: SGMII Auto-Negotiation Link Partner Ability

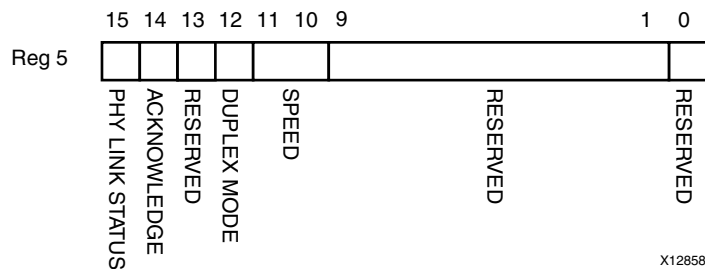


Figure 2-33: MDIO Register 5: SGMII Auto-Negotiation Link Partner Ability

The Auto-Negotiation Ability Base register (Register 5) contains information related to the status of the link between the PHY and its physical link partner across the Medium.

Table 2-61: SGMII Auto-Negotiation Link Partner Ability Base (Register 5)

Bits	Name	Description	Attributes	Default Value
5.15	PHY Link Status	This refers to the link status of the PHY with its link partner across the Medium. 1 = Link Up 0 = Link Down	read only	1
5.14	Acknowledge	Used by Auto-Negotiation function to indicate reception of a link partner base or next page	read only	0
5.13	Reserved	Always returns 0 writes ignored	returns 0	0
5.12	Duplex Mode	1= Full Duplex 0 = Half Duplex	read only	0
5.11:10	Speed	11 = Reserved 10 = 1 Gb/s 01 = 100 Mb/s 00 = 10 Mb/s	read only	00

Table 2-61: SGMII Auto-Negotiation Link Partner Ability Base (Register 5) (Cont'd)

Bits	Name	Description	Attributes	Default Value
5.9:1	Reserved	Always return 0s	returns 0s	000000000
5:0	Reserved	Always returns 1	returns 1	1

Register 6: SGMII Auto-Negotiation Expansion

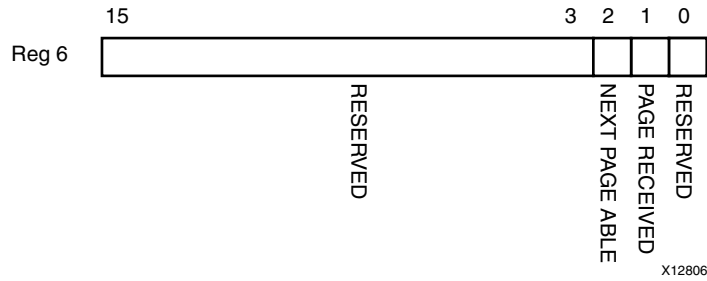


Figure 2-34: MDIO Register 6: SGMII Auto-Negotiation Expansion

Table 2-62: SGMII Auto-Negotiation Expansion (Register 6)

Bits	Name	Description	Attributes	Default Value
6.15:3	Reserved	Always return 0s	returns 0s	0000000000000
6.2	Next Page Able	This bit is ignored as the core currently does not support next page. This feature can be enabled on request.	returns 1	1
6.1	Page Received	1 = A new page has been received 0 = A new page has not been received	read only self clearing on read	0
6.0	Reserved	Always return 0s	returns 0s	0000000

Register 7: SGMII Auto-Negotiation Next Page Transmit

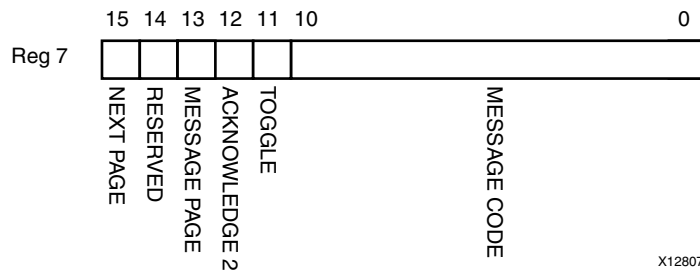


Figure 2-35: MDIO Register 7: SGMII Auto-Negotiation Next Page Transmit

Table 2-63: SGMII Auto-Negotiation Next Page Transmit (Register 7)

Bits	Name	Description	Attributes	Default Value ⁽¹⁾
7.15	Next Page	1 = Additional Next Page(s) will follow 0 = Last page	read/ write	0
7.14	Reserved	Always returns 0	returns 0	0
7.13	Message Page	1 = Message Page 0 = Unformatted Page	read/ write	0
7.12	Acknowledge 2	1 = Comply with message 0 = Cannot comply with message	read/ write	0
7.11	Toggle	Value toggles between subsequent Next Pages	read only	0
7.10:0	Message / Unformatted Code Field	Message Code Field or Unformatted Page Encoding as dictated by 7.13	read/ write	0000000001 (Null Message Code)

Notes:

1. This register returns the default values because the core does not support next page. The feature can be enabled, if requested.

Register 8: SGMII Next Page Receive

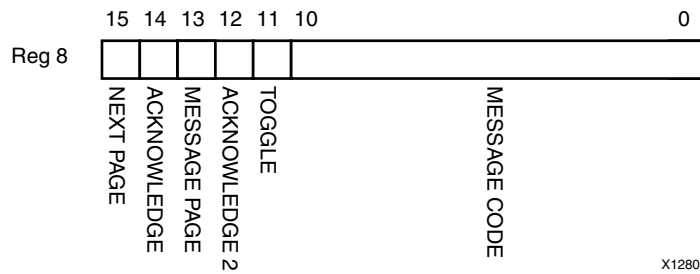


Figure 2-36: MDIO Register 8: SGMII Next Page Receive

Table 2-64: SGMII Auto-Negotiation Next Page Receive (Register 8)

Bits	Name	Description	Attributes	Default Value
8.15	Next Page	1 = Additional Next Page(s) will follow 0 = Last page	read only	0
8.14	Acknowledge	Used by Auto-Negotiation function to indicate reception of a link partner base or next page	read only	0
8.13	Message Page	1 = Message Page 0 = Unformatted Page	read only	0
8.12	Acknowledge 2	1 = Comply with message 0 = Cannot comply with message	read only	0
8.11	Toggle	Value toggles between subsequent Next Pages	read only	0
8.10:0	Message / Unformatted Code Field	Message Code Field or Unformatted Page Encoding as dictated by 8.13	read only	0000000000

Register 15: SGMII Extended Status

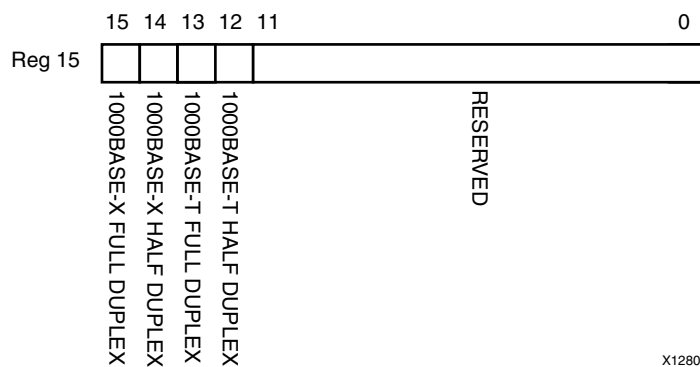


Figure 2-37: MDIO Register 15: SGMII Extended Status

Table 2-65: SGMII Extended Status Register (Register 15)

Bits	Name	Description	Attributes	Default Value
15.15	1000BASE-X Full Duplex	Always returns a 1 for this bit because 1000BASE-X Full Duplex is supported	returns 1	1
15.14	1000BASE-X Half Duplex	Always returns a 0 for this bit because 1000BASE-X Half Duplex is not supported	returns 0	0
15.13	1000BASE-T Full Duplex	Always returns a 0 for this bit because 1000BASE-T Full Duplex is not supported	returns 0	0
15.12	1000BASE-T Half Duplex	Always returns a 0 for this bit because 1000BASE-T Half Duplex is not supported	returns 0	0
15:11:0	Reserved	Always return 0s	returns 0s	000000000000

Register 16: SGMII Auto-Negotiation Interrupt Control

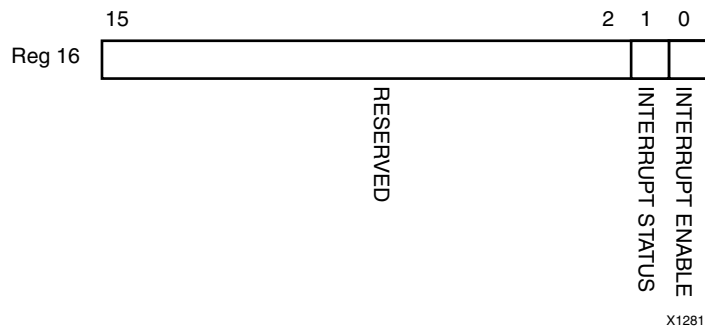


Figure 2-38: MDIO Register 16: SGMII Auto-Negotiation Interrupt Control

Table 2-66: SGMII Auto-Negotiation Interrupt Control (Register 16)

Bits	Name	Description	Attributes	Default Value
16.15:2	Reserved	Always return 0s	returns 0s	00000000000000
16.1	Interrupt Status	1 = Interrupt is asserted 0 = Interrupt is not asserted If the interrupt is enabled, this bit is asserted on completion of an Auto-Negotiation cycle across the SGMII link; it is only cleared by writing 0 to this bit. If the Interrupt is disabled, the bit is set to 0. The an_interrupt port of the core is wired to this bit.	read/write	0
16.0	Interrupt Enable	1 = Interrupt enabled 0 = Interrupt disabled	read/write	1

SGMII Standard without the Optional Auto-Negotiation

The registers provided for SGMII operation in this core are adaptations of those defined in clauses 22 and 37 of the IEEE 802.3-2008 specification. In an SGMII implementation, two different types of links exist. They are the SGMII link between the MAC and PHY (SGMII link) and the link across the Ethernet Medium itself (Medium). See Figure 9-2. Information about the state of the SGMII link is available in registers that follow.



IMPORTANT: *The state of the link across the Ethernet medium itself is not directly available when SGMII Auto-Negotiation is not present. For this reason, the status of the link and the results of the PHYs Auto-Negotiation (for example, Speed and Duplex mode) must be obtained directly from the management interface of connected PHY module. Registers at undefined addresses are read-only and return 0s.*

The core can be reset three ways: reset, DCM_LOCKED and soft reset. All of these methods reset all the registers to the default values.

Table 2-67: MDIO Registers for SGMII with Auto-Negotiation

Register Address	Register Name
0	SGMII Control register
1	SGMII Status register
2,3	PHY Identifier
4	SGMII Auto-Negotiation Advertisement register
15	SGMII Extended Status register

Register 0: SGMII Control

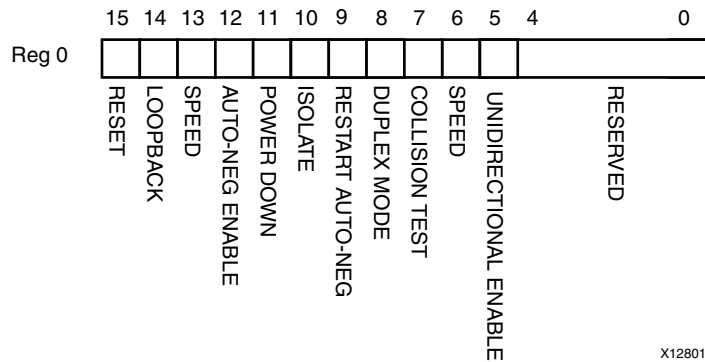


Figure 2-39: MDIO Register 0: SGMII Control

This register can also be programmed using the Optional Configuration Interface.

Table 2-68: SGMII Control (Register 0)

Bits	Name	Description	Attributes	Default Value
0.15	Reset	1 = Core Reset 0 = Normal Operation	read/write self clearing	0
0.14	Loopback	1 = Enable Loopback Mode 0 = Disable Loopback Mode When used with a device-specific transceiver, the core is placed in internal loopback mode. With the TBI version, Bit 1 is connected to ewrap. When set to 1 indicates to the external PMA module to enter loopback mode. See Loopback .	read/write	0
0.13	Speed Selection (LSB)	Zynq-7000 AP SoC PS Gigabit Ethernet Controller mode, identifies with bit 0.6 of Control register specified in IEEE 802.3-2008. returns 1 in any other mode, together with bit 0.13, speed selection of 1000 Mb/s is identified	read/write in Zynq-7000 AP SoC PS Gigabit Ethernet Controller mode. returns 0 in any other mode	0
0.12	Auto-Negotiation Enable	1 = Enable SGMII Auto-Negotiation Process 0 = Disable SGMII Auto-Negotiation Process	read/write	1

Table 2-68: SGMII Control (Register 0) (Cont'd)

Bits	Name	Description	Attributes	Default Value
0.11	Power Down	1 = Power down 0 = Normal operation With the PMA option, when set to 1 the device-specific transceiver is placed in a low-power state. This bit requires a reset (see bit 0.15) to clear. With the TBI version this register bit has no effect.	read/ write	0
0.10	Isolate	1 = Electrically Isolate SGMII logic from GMII 0 = Normal operation	read/write	1
0.9	Restart Auto-Negotiation	1 = Restart Auto-Negotiation Process across SGMII link 0 = Normal Operation	read/write self clearing	0
0.8	Duplex Mode	Always returns a 1 for this bit to signal Full-Duplex Mode	returns 1	1
0.7	Collision Test	Always returns a 0 for this bit to disable COL test	returns 0	0
0.6	Speed Selection (MSB)	Zynq-7000 AP SoC PS Gigabit Ethernet Controller mode, identifies with bit 0.6 of Control register specified in IEEE 802.3-2008. returns 1 in any other mode, together with bit 0.13, speed selection of 1000 Mb/s is identified	read/write in Zynq-7000 AP SoC PS Gigabit Ethernet Controller mode. Returns 1 in any other mode	1
0.5	Unidirectional Enable	Enable transmit regardless of whether a valid link has been established	read/ write	0
0.4:0	Reserved	Always return 0s , writes ignored	returns 0s	00000

Register 1: SGMII Status

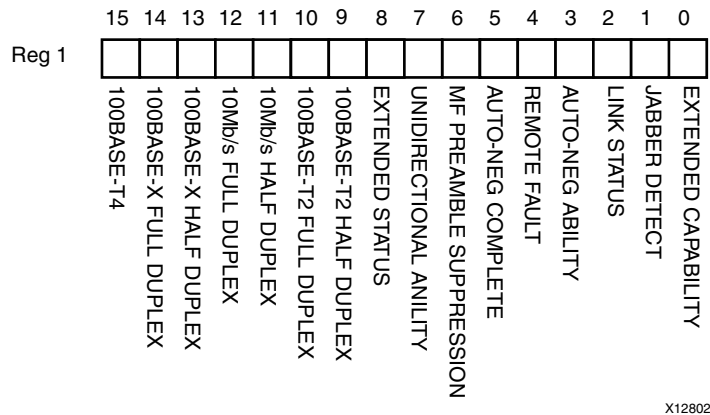


Figure 2-40: MDIO Register 1: SGMII Status

Table 2-69: SGMII Status (Register 1)

Bits	Name	Description	Attributes	Default Value
1.15	100BASE-T4	Always returns a 0 for this bit because 100BASE-T4 is not supported	returns 0	0
1.14	100BASE-X Full Duplex	Always returns a 0 for this bit because 100BASE-X Full Duplex is not supported	returns 0	0
1.13	100BASE-X Half Duplex	Always returns a 0 for this bit because 100BASE-X Half Duplex is not supported	returns 0	0
1.12	10 Mb/s Full Duplex	Always returns a 0 for this bit because 10 Mb/s Full Duplex is not supported	returns 0	0
1.11	10 Mb/s Half Duplex	Always returns a 0 for this bit because 10 Mb/s Half Duplex is not supported	returns 0	0
1.10	100BASE-T2 Full Duplex	Always returns a 0 for this bit because 100BASE-T2 Full Duplex is not supported	returns 0	0
1.9	100BASE-T2 Half Duplex	Always returns a 0 for this bit because 100BASE-T2 Half Duplex is not supported	returns 0	0
1.8	Extended Status	Always returns a 1 for this bit to indicate the presence of the Extended register (Register 15)	returns 1	1
1.7	Unidirectional Ability	Always returns 1, writes ignored	returns 1	1
1.6	MF Preamble Suppression	Always returns a 1 for this bit to indicate that Management Frame Preamble Suppression is supported	returns 1	1
1.5	Auto-Negotiation Complete	Ignore this bit because Auto-Negotiation is not included.	returns 1	0

Table 2-69: SGMII Status (Register 1) (Cont'd)

Bits	Name	Description	Attributes	Default Value
1.4	Remote Fault	Ignore this bit because Auto-Negotiation is not included	returns 0	0
1.3	Auto-Negotiation Ability	Ignore this bit because Auto-Negotiation is not included	returns 0	0
1.2	SGMII Link Status	1 = SGMII Link is up 0 = SGMII Link is down Latches '0' if SGMII Link Status goes down. Clears to current SGMII Link Status on read. See the following Link Status section for further details.	read only self clearing on read	0
1.1	Jabber Detect	Always returns a 0 for this bit because Jabber Detect is not supported	returns 0	0
1.0	Extended Capability	Always returns a 0 for this bit because no extended register set is supported	returns 0	0

Link Status

When High, the link is valid and has remained valid after this register was last read; synchronization of the link has been obtained.

When Low, either:

- A valid link has not been established; link synchronization has failed.

OR

- Link synchronization was lost at some point when this register was previously read. However, the current link status might be good. *Therefore read this register a second time to get confirmation of the current link status.*

Registers 2 and 3: PHY Identifier

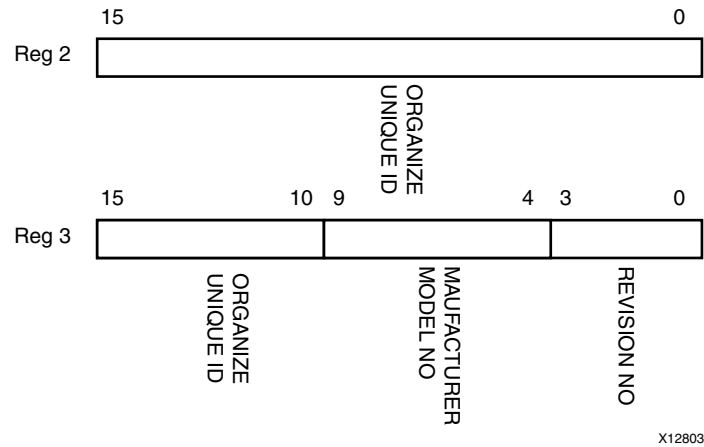


Figure 2-41: MDIO Registers 2 and 3: PHY Identifier

Table 2-70: PHY Identifier (Registers 2 and 3)

Bits	Name	Description	Attributes	Default Value
2.15:0	Organizationally Unique Identifier	Always return 0s	returns 0s	0000000000000000
3.15:10	Organizationally Unique Identifier	Always return 0s	returns 0s	000000
3.9:4	Manufacturer model number	Always return 0s	returns 0s	000000
3.3:0	Revision Number	Always return 0s	returns 0s	0000

Register 4: SGMII Auto-Negotiation Advertisement

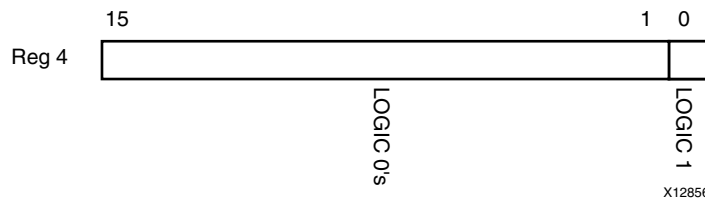


Figure 2-42: MDIO Register 4: SGMII Auto-Negotiation Advertisement

Table 2-71: SGMII Auto-Negotiation Advertisement (Register 4)

Bits	Name	Description	Attributes	Default Value
4.15:0	All bits	Ignore this register because Auto-Negotiation is not included	read only	0000000000000001

Register 15: SGMII Extended Status

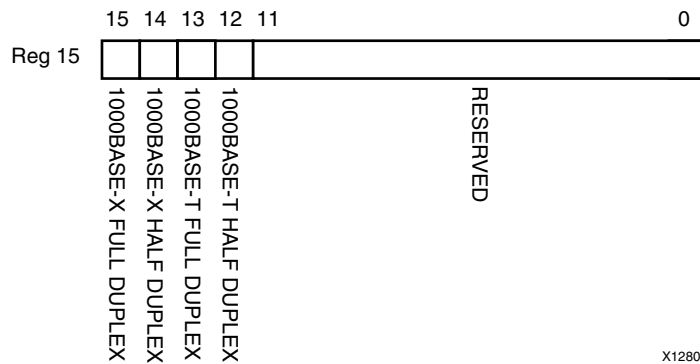


Figure 2-43: MDIO Register 15: SGMII Extended Status

Table 2-72: SGMII Extended Status Register (Register 15)

Bits	Name	Description	Attributes	Default Value
15.15	1000BASE-X Full Duplex	Always returns a 1 for this bit because 1000BASE-X Full Duplex is supported	returns 1	1
15.14	1000BASE-X Half Duplex	Always returns a 0 for this bit because 1000BASE-X Half Duplex is not supported	returns 0	0
15.13	1000BASE-T Full Duplex	Always returns a 0 for this bit because 1000BASE-T Full Duplex is not supported	returns 0	0
15.12	1000BASE-T Half Duplex	Always returns a 0 for this bit because 1000BASE-T Half Duplex is not supported	returns 0	0
15:11:0	Reserved	Always return 0s	returns 0s	000000000000

Both 1000BASE-X and SGMII Standards

Table 2-73 describes Register 17, the vendor-specific Standard Selection register. This register is only present when the core is generated with the capability to dynamically switch between 1000BASE-X and SGMII standards. The component name is used as the base name of the output files generated for the core. See [Select Standard in Chapter 13](#).

When this register is configured to perform the 1000BASE-X standard, registers 0 to 16 should be interpreted as per [1000BASE-X Standard Using the Optional Auto-Negotiation](#) or [1000BASE-X Standard Without the Optional Auto-Negotiation](#).

When this register is configured to perform the SGMII standard, registers 0 to 16 should be interpreted as per [SGMII Standard Using the Optional Auto-Negotiation](#) or [1000BASE-X Standard Without the Optional Auto-Negotiation](#). This register can be written to at any time. See [Chapter 10, Dynamic Switching of 1000BASE-X and SGMII Standards](#) for more information.

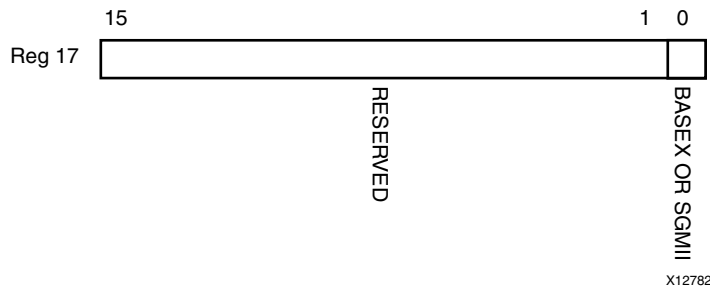


Figure 2-43: Dynamic Switching (Register 17)

Table 2-73: Vendor-specific Register: Standard Selection Register (Register 17)

Bits	Name	Description	Attributes	Default Value
17.15:1	Reserved	Always return 0s	Returns 0s	0000000000000000
16.0	Standard	0 = Core performs to the 1000BASE-X standard. Registers 0 to 16 behave as per 1000BASE-X Standard Using the Optional Auto-Negotiation 1 = Core performs to the SGMII standard. Registers 0 to 16 behave as per SGMII Standard Using the Optional Auto-Negotiation .	read/write	Determined by the basex_or_sgmii port

Additional Configuration and Status Vector Interface

Additional signals are brought out of the core to program Register 0 independent of the MDIO Management Interface. These signals are bundled into the `configuration_vector` signal as defined in [Table 2-22](#).

Signals are also brought out of the core to program Register 4 independent of the MDIO management Interface. These signals are bundled into `AN_ADV_CONFIG_VECTOR` as defined in [Table 2-23](#). Status signals are also brought out of the core to status vector as defined in [Table 2-19](#).

Designing with the Core

This chapter includes guidelines and additional information to make designing with the core easier.

General Design Guidelines

Following are some design guidelines.

Understand the Features and Interfaces Provided by the Core Netlist

[Chapter 1, Overview](#) introduces the features and interfaces that are present in the logic of the Ethernet 1000BASE-X PCS/PMA or SGMII netlist. This chapter assumes a working knowledge of the IEEE802.3-2008 Ethernet specification, in particular the Gigabit Ethernet 1000BASE-X sections: clauses 34 through to 37.

Customize and Generate the Core

Generate the core with your desired options using the IP catalog, as described in [Chapter 13, Customizing and Generating the Core](#).

Examine the Example Design Provided with the Core

An HDL example design built around the core is provided through the Vivado® design tools that allow for a demonstration of core functionality using either a simulation package or in hardware if placed on a suitable board.

Five different example designs are provided depending upon the core customization options that have been selected. See the example design description in the appropriate chapter:

- [Example Design for 1000BASE-X with Transceivers](#)
- [Example Designs for the Ten-Bit Interface](#)
- [SGMII Example Design / Dynamic Switching Example Design with Ten-Bit Interface](#)

- [SGMII Example Design / Dynamic Switching Example Design Using a Transceiver](#)
- [SGMII over LVDS](#)

Before implementing the core in your application, examine the example design provided with the core to identify the steps that can be performed:

1. Edit the HDL top level of the example design file to change the clocking scheme, add or remove Input/Output Blocks (IOBs) as required, and replace the GMII IOB logic with user-specific application logic (for example, an Ethernet MAC).
2. Synthesize the entire design.
3. Implement the entire design. After implementation is complete you can also create a bitstream that can be downloaded to a Xilinx device.
4. Download the bitstream to a target device.

Implement the Ethernet 1000BASE-X PCS/PMA or SGMII Core in Your Application

Before implementing your application, examine the example design delivered with the core for information about the following:

- Instantiating the core from HDL
- Connecting the physical-side interface of the core (device-specific transceiver or TBI)
- Deriving the clock management logic

It is expected that the block level module from the example design will be instantiated directly into customer designs rather than the core netlist itself. The block level contains the core and a completed physical interface.

Write an HDL Application

After reviewing the example design delivered with the core, write an HDL application that uses single or multiple instances of the block level module for the Ethernet 1000BASE-X PCS/PMA or SGMII core. Client-side interfaces and operation of the core are described in [Chapter 8, Using the Client-Side GMII Datapath](#). See the following information for additional details: using the Ethernet 1000BASE-X PCS/PMA or SGMII core in conjunction with the Tri-Mode Ethernet MAC core in [Chapter 11, Interfacing to Other Cores](#).

Synthesize your Design and Create a Bitstream

Synthesize your entire design using the desired synthesis tool.



IMPORTANT: Care must be taken to constrain the design correctly; the constraints provided with the core should be used as the basis for your own. See the constraint chapters in the Vivado® Design Suite chapters as appropriate.

Simulate and Download your Design

After creating a bitstream that can be downloaded to a Xilinx device, simulate the entire design and download it to the desired device.

Know the Degree of Difficulty

An Ethernet 1000BASE-X PCS/PMA or SGMII core is challenging to implement in any technology and as such, all Ethernet 1000BASE-X PCS/PMA or SGMII core applications require careful attention to system performance requirements. Pipelining, logic mapping, placement constraints, and logic duplication are all methods that help boost system performance.

Keep it Registered

To simplify timing and to increase system performance in an FPGA design, keep all inputs and outputs registered between the user application and the core. All inputs and outputs from the user application should come *from*, or connect *to*, a flip-flop. While registering signals might not be possible for all paths, it simplifies timing analysis and makes it easier for the Xilinx tools to place and route the design.

Recognize Timing Critical Signals

The constraints provided with the example design for the core identifies the critical signals and the timing constraints that should be applied. See [Chapter 14, Constraining the Core](#) (Vivado design tools) for more information.

Make Only Allowed Modifications

The Ethernet 1000BASE-X PCS/PMA or SGMII core should not be modified. Modifications can have adverse effects on system timing and protocol compliance. Supported user configurations of the Ethernet 1000BASE-X PCS/PMA or SGMII core can only be made by selecting the options from within the IP catalog when the core is generated. See [Chapter 13, Customizing and Generating the Core](#) for Vivado Design Suite.

Shared Logic

Up to version 13.0 of the core, the RTL hierarchy for the core was fixed. This resulted in some difficulty because shareable clocking and reset logic needed to be extracted from the core example design for use with a single instance, or multiple instances of the core.

Shared logic is a new feature that provides a more flexible architecture that works both as a standalone core and as a part of a larger design with one or more core instances. This minimizes the amount of HDL modifications required, but at the same time retains the flexibility to address more uses of the core.

The new level of hierarchy is called `<component_name>_support`. [Figure 3-1](#) and [Figure 3-2](#) show two hierarchies where the shared logic block is contained either in the core or in the example design. In these figures, `<component_name>` is the name of the generated core. The difference between the two hierarchies is the boundary of the core. It is controlled using the **Shared Logic** option in the Vivado IDE (see [Figure 13-7](#)).

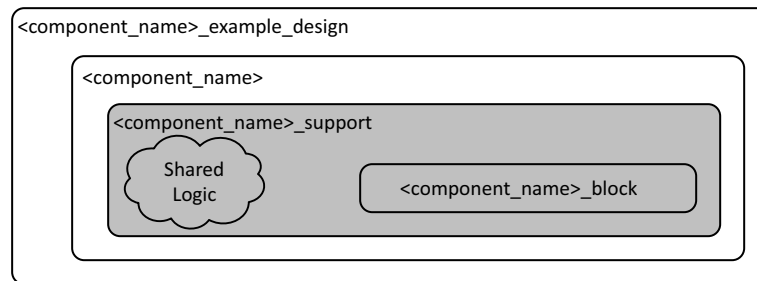


Figure 3-1: Shared Logic Included in Core

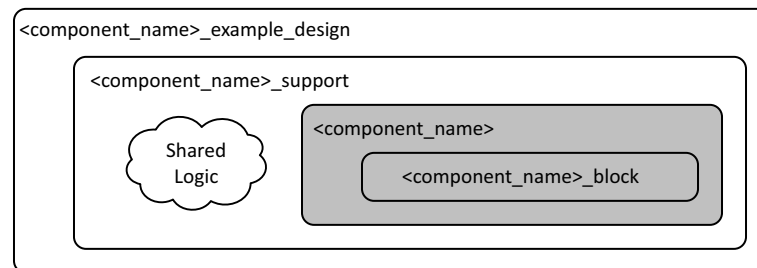


Figure 3-2: Shared Logic Included in Example Design

Clocking

For clocking frequencies for Vivado Design Suite, see [Clock Frequencies in Chapter 14](#).

For clocking information on client interface in SGMII mode, see [Clock Generation in Chapter 8](#).

For clocking information on PHY interface, see the following:

- For TBI Clocking, see [Chapter 4, The Ten-Bit Interface](#).
- For 1000 Base-X, see [Chapter 5, 1000BASE-X with Transceivers](#).
- For SGMII and Dynamic Switching, see [Chapter 6, SGMII / Dynamic Standards Switching with Transceivers](#).
- For System Synchronous SGMII over Zynq®-7000, Virtex-7, Kintex®-7, and Artix®-7 LVDS devices, see [Clocking Logic in Chapter 7, SGMII over LVDS](#).

Resets

Due to the number of clock domains in this IP core, the reset structure is not simple and involves several separate reset regions, with the number of regions being dependent upon the particular parameterization of the core.

Reset Structure with Transceiver

Figure 3-3 shows the most common reset structure for the Ethernet 1000BASE-X PCS/PMS or SGMII core connected to the serial or LVDS transceiver. The grayed out region indicates the logic that is activated under reset certain conditions based on parameterization of the core.

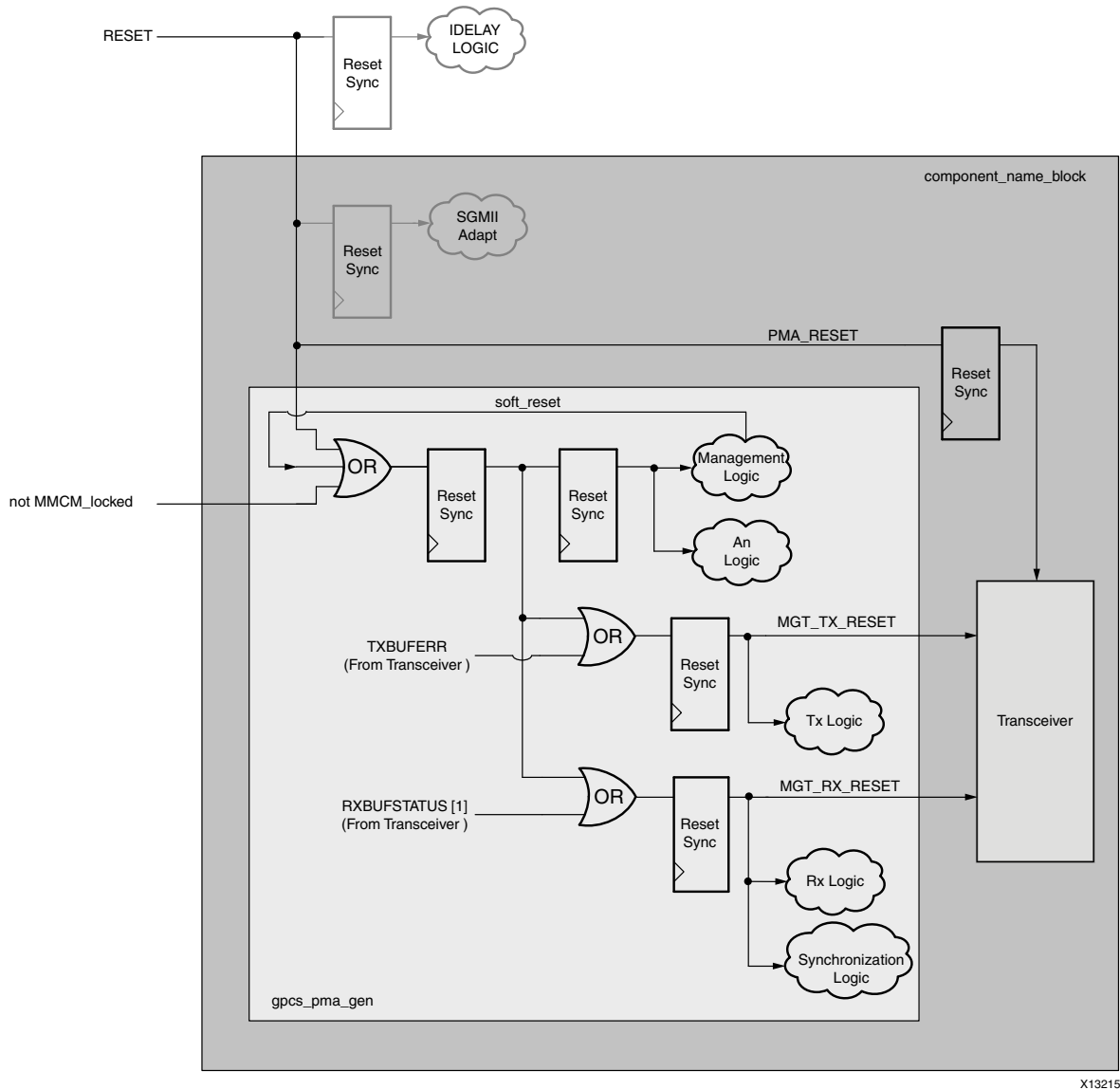


Figure 3-3: Reset Structure for Ethernet 1000BASE-X PCS/PMA or SGMII Core with Transceiver

Reset Structure with TBI

Figure 3-4 shows the most common reset structure for the core with TBI. The grayed out region indicates the logic that is activated under certain conditions based on parameterization of the core.

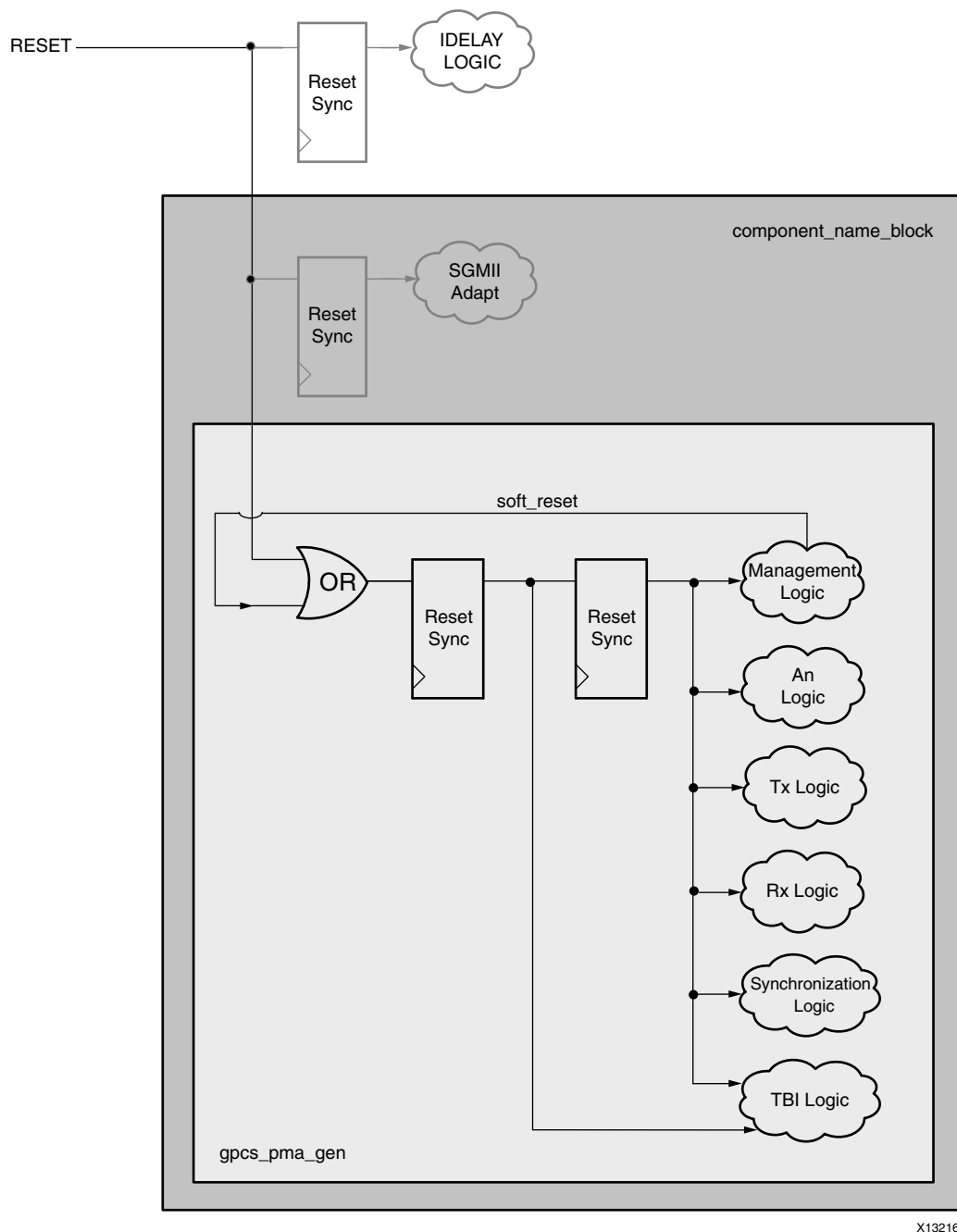


Figure 3-4: Reset Structure for Ethernet 1000BASE-X PCS/PMA or SGMII core with TBI

The Ten-Bit Interface

This chapter provides general guidelines for creating 1000BASE-X, SGMII or Dynamic Standards Switching designs using the Ten-Bit Interface (TBI).

This chapter is organized into the following main sections:

- [Ten-Bit-Interface Logic](#)

Provides an explanation of the TBI physical interface logic in all supported families. This section is common to both 1000BASE-X and SGMII implementations.

- [Clock Sharing across Multiple Cores with TBI](#)

Provides guidance for using several core instantiations; clock sharing should occur whenever possible to save device resources.

- [Example Designs for the Ten-Bit Interface](#)

Provides an introduction to the IP catalog example design deliverables, this section is split into the following two sub-sections:

- [Example Design for 1000BASE-X with Ten-Bit Interface](#)

- [SGMII Example Design / Dynamic Switching Example Design with Ten-Bit Interface](#)

Provides an overview of the demonstration test bench that is provided with the example designs.

Kintex®-7 devices support TBI at 3.3V or lower.

Ten-Bit-Interface Logic

The example design delivered with the core is split between two hierarchical layers, as illustrated in both [Figure 4-6](#) and [Figure 4-8](#). The block level is designed so that it can be instantiated directly into customer designs and provides the following functionality:

- Instantiates the core from HDL
- Connects the physical-side interface of the core to device IOBs, creating an external TBI

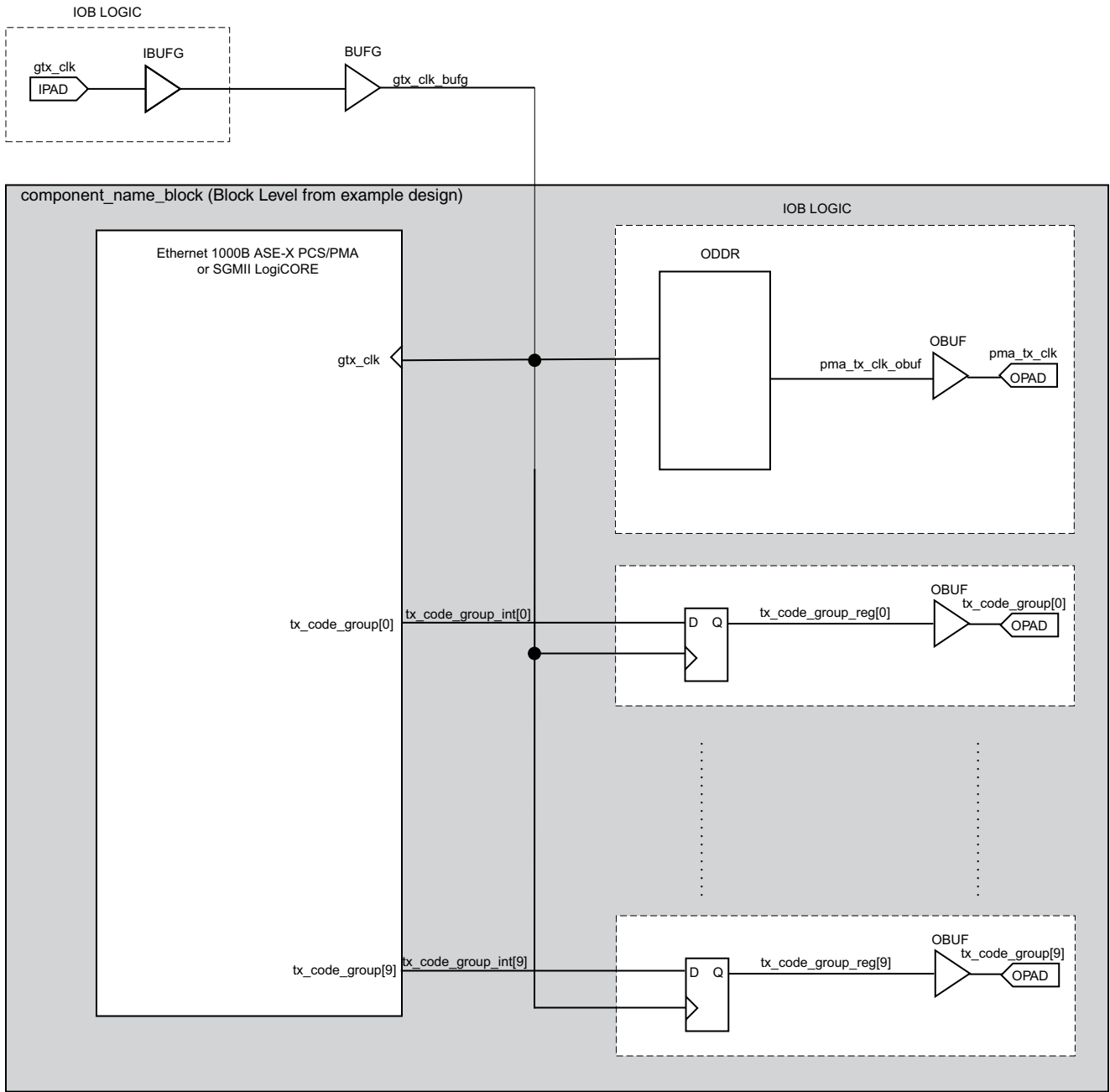
The TBI logic implemented in the block level is illustrated in all the figures in this chapter.

Transmitter Logic

[Figure 4-1](#) illustrates the use of the physical transmitter interface of the core to create an external TBI.

The signal names and logic shown exactly match those delivered with the example design when TBI is chosen. If other families are chosen, equivalent primitives and logic specific to that family are automatically used in the example design.

[Figure 4-1](#) shows that the output transmitter datapath signals are registered in device IOBs before driving them to the device pads. The logic required to forward the transmitter clock is also shown. The logic uses an IOB output Double-Data-Rate (DDR) register so that the clock signal produced incurs exactly the same delay as the data and control signals. This clock signal, `pma_tx_clk`, is inverted with respect to `gtx_clk` so that the rising edge of `pma_tx_clk` occurs in the center of the data valid window to maximize setup and hold times across the interface.



X12881

Figure 4-1: Ten-Bit Interface Transmitter Logic

Receiver Logic

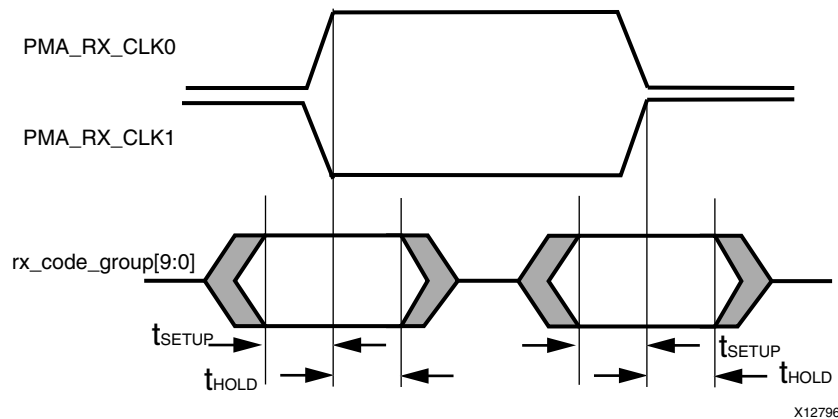


Figure 4-2: Input TBI timing

Figure 4-2 illustrates the input timing for the TBI interface as defined in IEEE802.3-2008 clause 36.



IMPORTANT: The important point is that the input TBI data bus, `rx_code_group[9:0]`, is synchronous to two clock sources: `pma_rx_clk0` and `pma_rx_clk1`. As defined by the standard, the TBI data should be sampled alternatively on the rising edge of `pma_rx_clk0`, then `pma_rx_clk1`. Minimum setup and hold constraints are specified and apply to both clock sources.

In the IEEE802.3-2008 specification, there is no exact requirement that `pma_rx_clk0` and `pma_rx_clk1` be exactly 180° out of phase with each other, so the safest approach is to use both `pma_rx_clk0` and `pma_rx_clk1` clocks as the specification intends. This is at the expense of clocking resources.

However, the data sheet for a particular external SerDes device that connects to the TBI might well specify that this is the case; that `pma_rx_clk0` and `pma_rx_clk1` are exactly 180° out of phase. If this is the case, the TBI receiver clock logic can be simplified by ignoring the `pma_rx_clk1` clock altogether, and simply using both the rising and falling edges of `pma_rx_clk0`.

For this reason, the following sections describe two different alternative methods for implementing the TBI receiver clock logic: one which uses both `pma_rx_clk0` and `pma_rx_clk1` clock, and a second which only uses `pma_rx_clk0` (but both rising and falling edges). Select the method carefully by referring to the data sheet of the external SerDes.

The example design provided with the core only gives one of these methods (which vary on a family-by-family basis). However, the example HDL design can be edited to convert to the alternative method. See the following two methods for a Kintex®-7 device.

Method 1: Using Only pma_rx_clk0 (Provided by the Example Design)

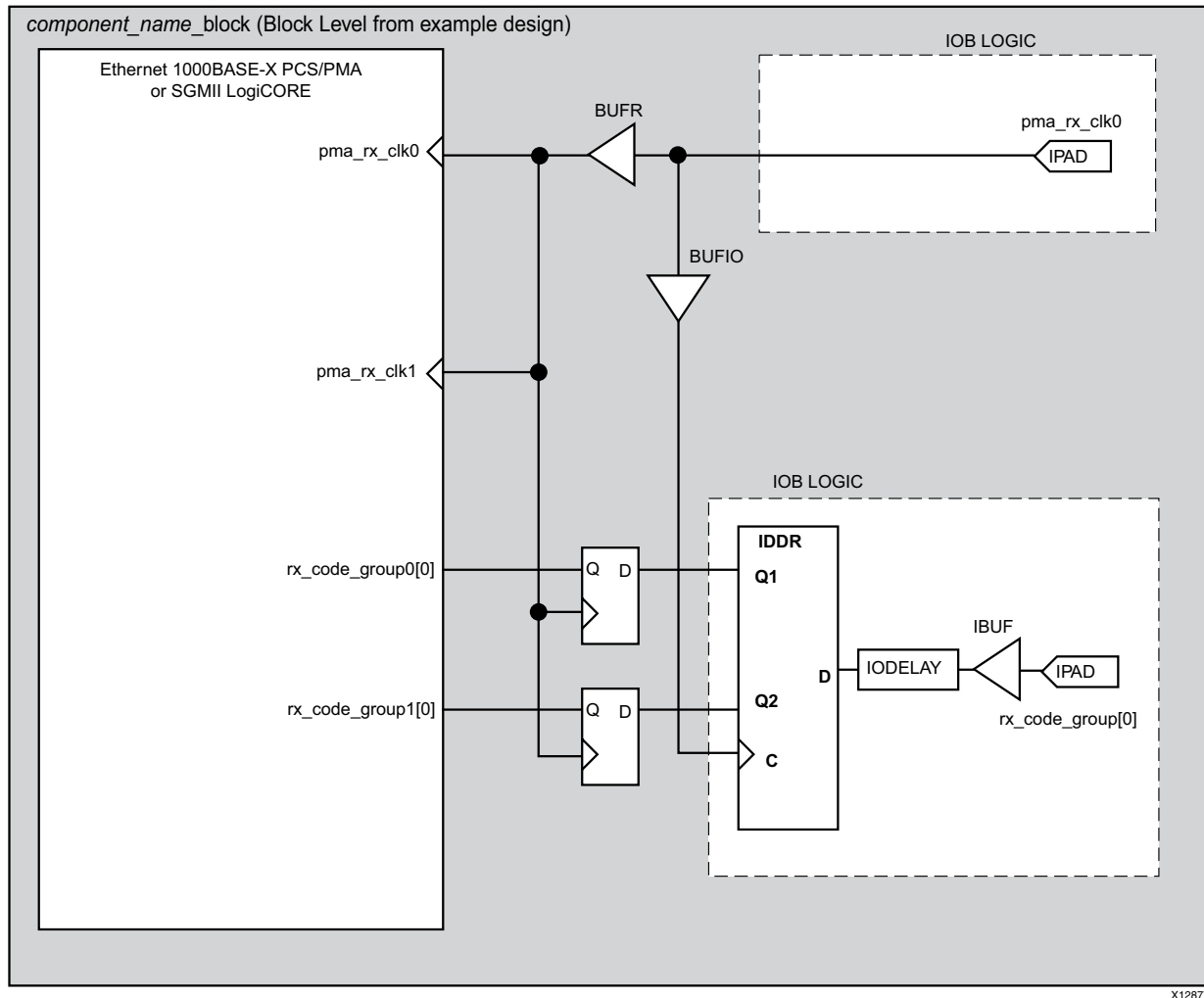


Figure 4-3: Ten-Bit Interface Receiver Logic - Kintex-7 Devices (Example Design)

The FPGA logic used by the example design delivered with the core is illustrated in Figure 4-7. This shows an IDDR primitive used with the DDR_CLK_EDGE attribute set to SAME_EDGE. This uses local inversion of pma_rx_clk0 within the IOB logic to receive the rx_code_group[9:0] data bus on both the rising and falling edges of pma_rx_clk0. The SAME_EDGE attribute causes the IDDR to output both Q1 and Q2 data on the rising edge of pma_rx_clk0.

For this reason, pma_rx_clk0 can be routed to both pma_rx_clk0 and pma_rx_clk1 clock inputs of the core as illustrated.



CAUTION! This logic relies on pma_rx_clk0 and pma_rx_clk1 being exactly 180° out of phase with each other because the falling edge of pma_rx_clk0 is used in place of pma_rx_clk1. See the data sheet for the attached SerDes to verify that this is the case.

Setup and Hold is achieved using a combination of IODELAY elements on the data and using BUFIO and BUFR regional clock routing for the `pma_rx_clk0` input clock, as illustrated in [Figure 4-3](#).

In the [Figure 4-3](#) implementation, a BUFIO is used to provide the lowest form of clock routing delay from input clock to input `rx_code_group[9:0]` signal sampling at the device IOBs. However, this creates placement constraints; a BUFIO capable clock input pin must be selected for `pma_rx_clk0`, and all `rx_code_group[9:0]` input signals must be placed in the respective BUFIO region. Consult the FPGA user guides.

The clock is then placed onto regional clock routing using the BUFR component and the input `rx_code_group[9:0]` data immediately resampled as illustrated.

The IODELAY elements can be adjusted to fine-tune the setup and hold times at the TBI IOB input flip-flops. The delay is applied to the IODELAY element using constraints in the XDC; these can be edited if desired.

Method 2: An Alternative Using Both pma_rx_clk0 and pma_rx_clk1

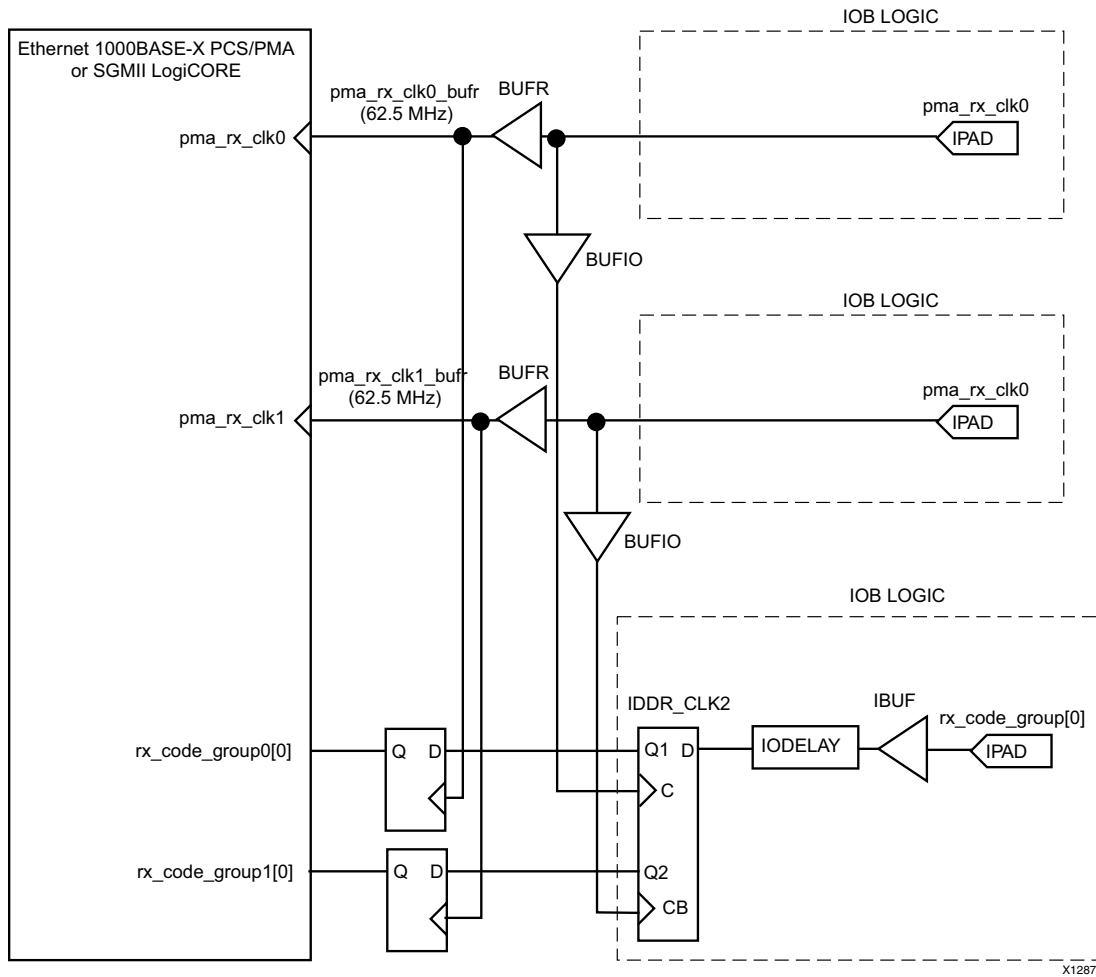


Figure 4-4: Alternate Ten-Bit Interface Receiver Logic - Kintex-7 Devices

This logic from Method 1 relies on pma_rx_clk0 and pma_rx_clk1 being exactly 180° out of phase with each other because the falling edge of pma_rx_clk0 is used in place of pma_rx_clk1. See the data sheet for the attached SerDes to verify that this is the case. If not, the logic of Figure 4-4 illustrates an alternate implementation where both pma_rx_clk0 and pma_rx_clk1 are used as intended. Each bit of rx_code_group[9:0] must be routed to two separate device pads.

In this method, the logic used on pma_rx_clk0 in Figure 4-3 is duplicated for pma_rx_clk1. A IDDR_CLK2 primitive replaces the IDDR primitive; this contains two clock inputs as illustrated.

Clock Sharing across Multiple Cores with TBI

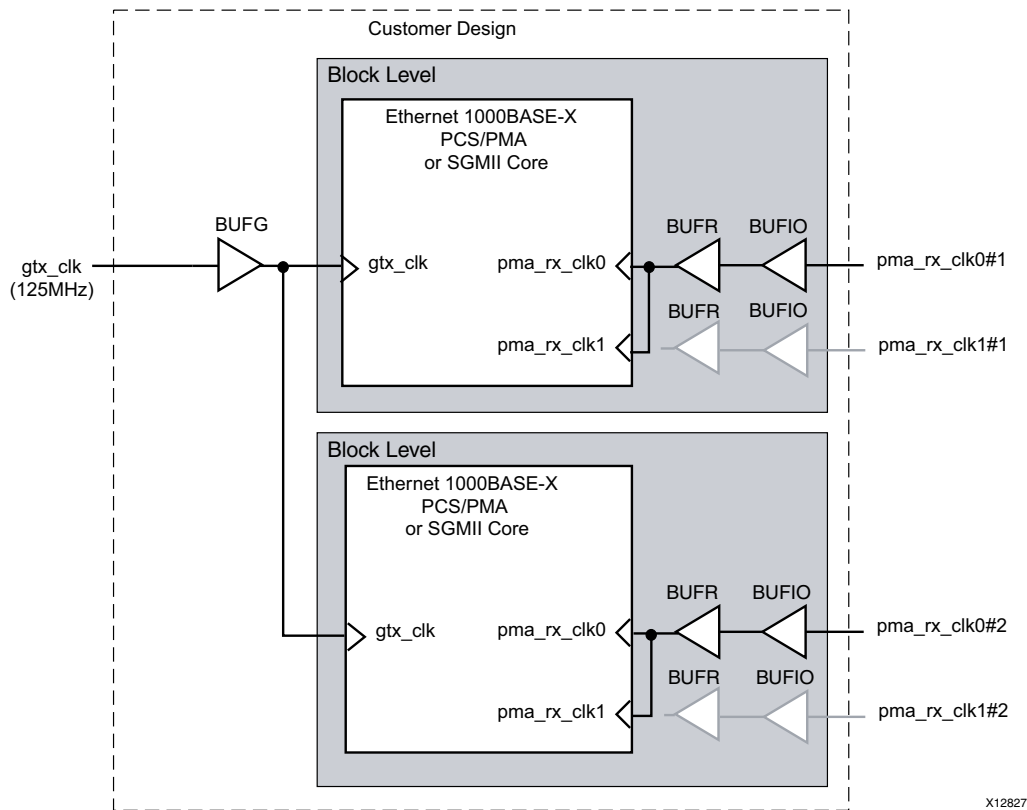


Figure 4-5: Clock Management, Multiple Core Instances with Ten-Bit Interface

Figure 4-5 illustrates sharing clock resources across multiple instantiations of the core when using the TBI. For all implementations, `gtx_clk` can be shared between multiple cores, resulting in a common clock domain across the device.

The receiver clocks `pma_rx_clk0` and `pma_rx_clk1` (if used) cannot be shared. Each core is provided with its own versions of these receiver clocks from its externally connected SerDes.

Figure 4-5 illustrates only two cores. However, more can be added using the same principle. This is done by instantiating the cores using the block level (from the example design) and sharing `gtx_clk` across all instantiations. The receiver clock logic cannot be shared and must be unique for every instance of the core.

Example Designs for the Ten-Bit Interface

Example Design for 1000BASE-X with Ten-Bit Interface

Figure 4-6 illustrates the example design for a top-level HDL with a 10-bit interface (TBI).

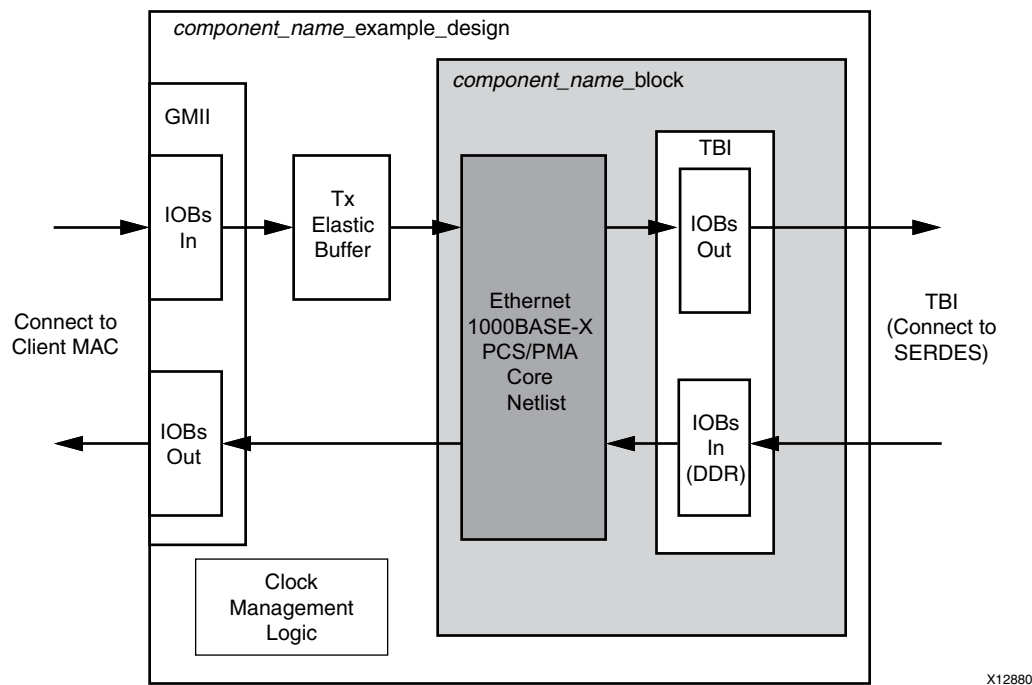


Figure 4-6: Example Design HDL for the Ethernet 1000BASE-X PCS with TBI

As illustrated, the example is split between two hierarchical layers. The block level is designed so that it can be instantiated directly into customer designs and performs the following functions:

- Instantiates the core from HDL
- Connects the physical-side interface of the core to device IOBs, creating an external TBI.

The top level of the example design creates a specific example that can be simulated, synthesized, implemented, and if required, placed on a suitable board and demonstrated in hardware. The top level of the example design performs the following functions:

- Instantiates the block level from HDL
- Derives the clock management logic for the core
- Implements an external GMII

The next few pages in this section describe each of the example design blocks (and associated HDL files) in detail, and conclude with an overview of the demonstration test bench provided for the design.

Top-Level Example Design HDL

The following files describe the top-level example design for the Ethernet 1000BASE-X PCS/PMA core with TBI:

VHDL

```
<project_dir>/<project_name>/<project_name>.srcs/sources1/ip/<component_name>/  
example_design/<component_name>_example_design.vhd
```

Verilog

```
<project_dir>/<project_name>/<project_name>.srcs/sources1/ip/  
<component_name>/example_design/<component_name>_example_design.v
```

The HDL example design top-level contains the following:

- An instance of the Ethernet 1000BASE-X PCS/PMA block level
- Clock management logic, including DCM and Global Clock Buffer instances, where required
- A transmitter elastic buffer
- GMII interface logic, including IOB and DDR registers instances, where required

The example design HDL top level connects the GMII of the block level to external IOBs. This allows the functionality of the core to be demonstrated using a simulation package as described in this guide. The example design can also be synthesized and placed on a suitable board and demonstrated in hardware, if required.

Block Level HDL

The following files describe the block level design for the Ethernet 1000BASE-X PCS/PMA core with TBI:

VHDL

```
<project_dir>/<project_name>/<project_name>.srcs/sources1/ip/  
<component_name>/synth/<component_name>_block.vhd
```

Verilog

```
<project_dir>/<project_name>/<project_name>.srcs/sources1/ip/  
<component_name>/synth/<component_name>_block.v
```

The block level HDL contains the following:

- An instance of the Ethernet 1000BASE-X PCS/PMA core
- TBI interface logic, including IOB and DDR registers instances, where required

The block-level HDL connects the TBI of the core to external IOBs (the most useful part of the example design) and should be instantiated in all customer designs that use the core.

Transmitter Elastic Buffer

The Transmitter Elastic Buffer is described in the following files:

VHDL

```
<project_dir>/<project_name>/<project_name>.srcs/sources1/ip/  
<component_name>/example_design/<component_name>_tx_elastic_buffer.vhd
```

Verilog

```
<project_dir>/<project_name>/<project_name>.srcs/sources1/ip/  
<component_name>/example_design/<component_name>_tx_elastic_buffer.v
```

When the GMII is used externally (as in this example design), the GMII transmit signals (inputs to the core from a remote Ethernet MAC at the other end of the interface) are synchronous to a clock, which is likely to be derived from a different clock source to the core. For this reason, GMII transmit signals must be transferred into the core main clock domain before they can be used by the core. This is achieved with the Transmitter Elastic Buffer, an asynchronous FIFO implemented in distributed RAM. The operation of the elastic buffer is to attempt to maintain a constant occupancy by inserting or removing Idle sequences as necessary. This causes no corruption to the frames of data.

When the GMII is used as an internal interface, it is expected that the entire interface will be synchronous to a single clock domain, and the Transmitter Elastic Buffer should be discarded.

Demonstration Test Bench

Figure 4-7 illustrates the demonstration test bench for the Ethernet 1000BASE-X PCS with TBI. The demonstration test bench is a simple VHDL or Verilog program to exercise the example design and the core itself.

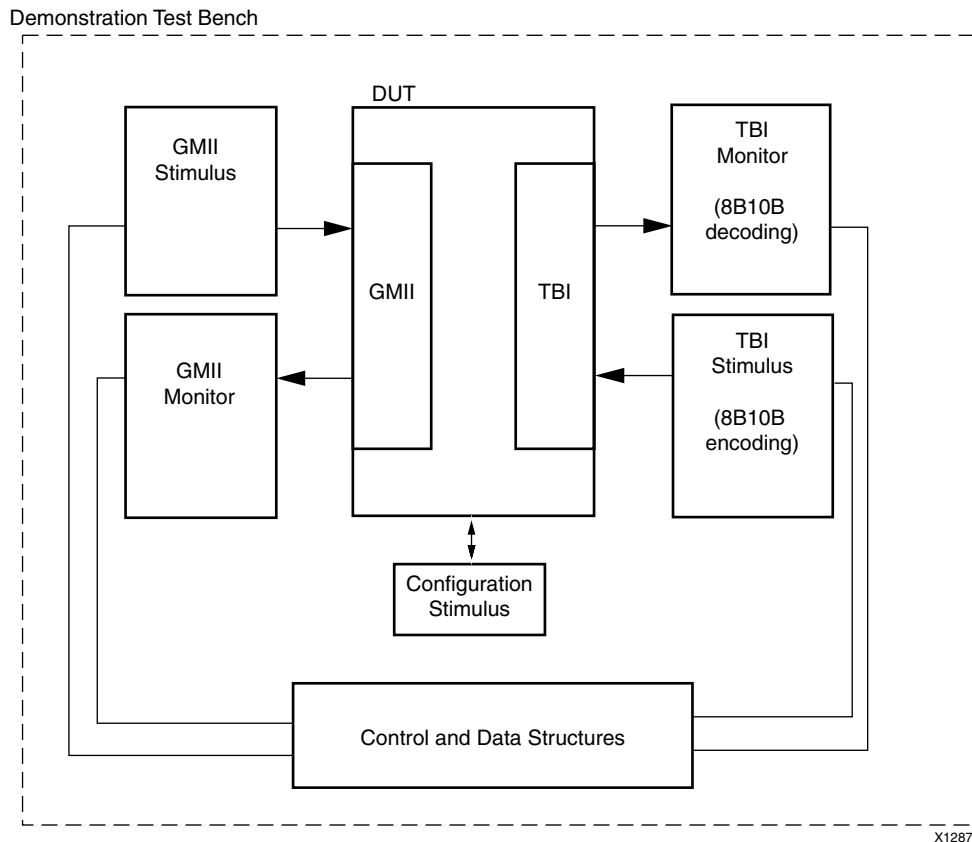


Figure 4-7: **Demonstration Test Bench for the Ethernet 1000BASE-X PCS with TBI**

The top-level test bench entity instantiates the example design for the core, which is the Device Under Test (DUT). A stimulus block is also instantiated and clocks, resets and test bench semaphores are created. The following files describe the top-level of the demonstration test bench:

VHDL

```
<project_dir>/<project_name>/<project_name>.srcs/sources1/ip/<component_name>/
simulation/demo_tb.vhd
```

Verilog

```
<project_dir>/<project_name>/<project_name>.srcs/sources1/ip/<component_name>/
simulation/demo_tb.v
```


The stimulus block entity, instantiated from within the test bench top level, creates the Ethernet stimulus in the form of four Ethernet frames, which are injected into the GMII and PHY interfaces of the DUT. The output from the DUT is also monitored for errors. The following files describe the stimulus block of the demonstration test bench:

VHDL

```
<project_dir>/<project_name>/<project_name>.srcs/sources1/ip/  
<component_name>/simulation/stimulus_tb.vhd
```

Verilog

```
<project_dir>/<project_name>/<project_name>.srcs/sources1/ip/  
<component_name>/simulation/stimulus_tb.v
```

Together, the top-level test bench file and the stimulus block combine to provide the full test bench functionality, described in the sections that follow.

Core with MDIO Interface

The demonstration test bench performs the following tasks:

- Input clock signals are generated.
- A reset is applied to the example design.
- The Ethernet 1000BASE-X PCS/PMA core is configured through the MDIO interface by injecting an MDIO frame into the example design. This disables Auto-Negotiation (if present) and takes the core out of the Isolate state.
- The following frames are injected into the GMII transmitter by the GMII stimulus block:
 - the first is a minimum-length frame
 - the second is a type frame
 - the third is an errored frame
 - the fourth is a padded frame
- The data received at the TBI transmitter interface is 8B/10B decoded. The resulting frames are checked by the TBI Monitor against the stimulus frames injected into the GMII transmitter to ensure data integrity.
- The same four frames are generated by the TBI Stimulus block. These are 8B/10B encoded and injected into the TBI receiver interface.
- Data frames received at the GMII receiver are checked by the GMII Monitor against the stimulus frames injected into the TBI receiver to ensure data integrity.

Core without MDIO Interface

The demonstration test bench performs the following tasks.

- Input clock signals are generated.
- A reset is applied to the example design.
- The Ethernet 1000BASE-X PCS/PMA core is configured through the Configuration Vector to take the core out of the Isolate state.
- The following frames are injected into the GMII transmitter by the GMII stimulus block.
 - the first is a minimum length frame
 - the second is a type frame
 - the third is an errored frame
 - the fourth is a padded frame
- The data received at the TBI transmitter interface is 8B/10B decoded. The resultant frames are checked by the TBI Monitor against the stimulus frames injected into the GMII transmitter to ensure data is the same.
- The same four frames are generated by the TBI Stimulus block. These are 8B/10B encoded and injected into the TBI receiver interface.
- Data frames received at the GMII receiver are checked by the GMII Monitor against the stimulus frames injected into the TBI receiver to ensure data is the same.

Customizing the Test Bench

This section provides information about making modifications to the demonstration test bench files.

Changing Frame Data

You can change the contents of the four frames used by the demonstration test bench by changing the *data* and *valid* fields for each frame defined in the stimulus block. Frames can be added by defining a new frame of data. Any modified frames are automatically updated in both stimulus and monitor functions.

Changing Frame Error Status

Errors can be inserted into any of the predefined frames in any position by setting the *error* field to 1 in any column of that frame. Injected errors are automatically updated in both stimulus and monitor functions.

Changing the Core Configuration

The configuration of the Ethernet 1000BASE-X PCS/PMA core used in the demonstration test bench can be altered.



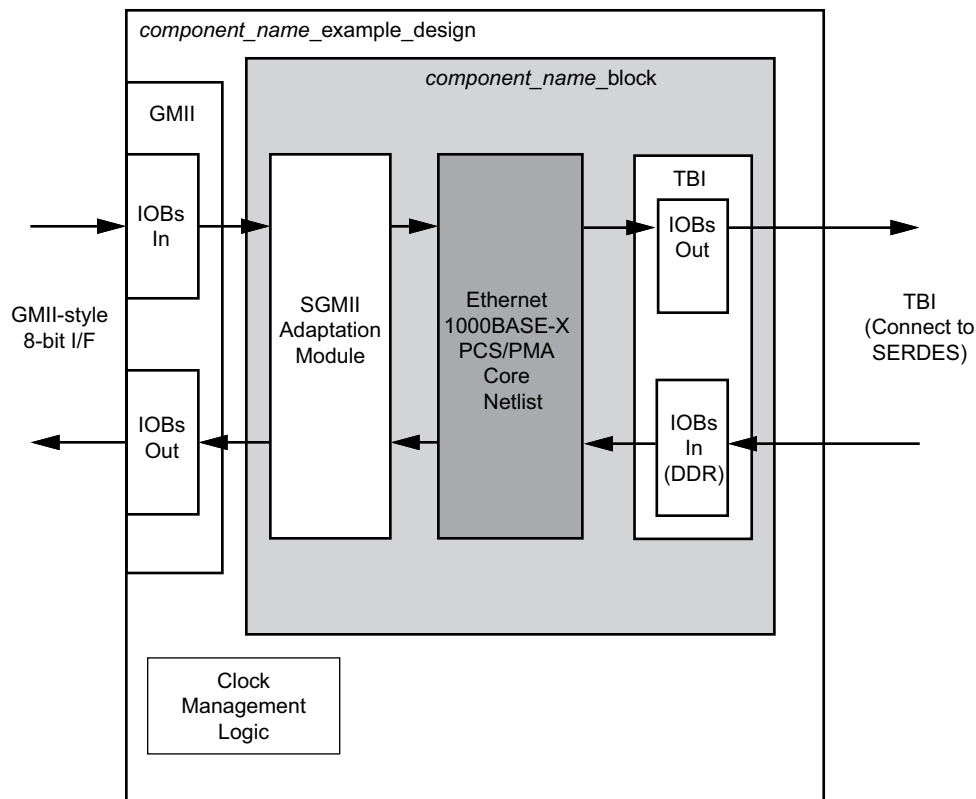
CAUTION! *Certain configurations of the core can cause the test bench to fail or cause processes to run indefinitely. For example, the demonstration test bench does not auto-negotiate with the design example. Determine the configurations that can safely be used with the test bench.*

If the MDIO interface option has been selected, the core can be reconfigured by editing the injected MDIO frame in the demonstration test bench top level. Management Registers 0 and 4 can additionally be written through `configuration_vector[4:0]` and `an_adv_config_vector[15:0]` interface signals respectively

If the MDIO interface option has not been selected, the core can be reconfigured by modifying the configuration vector directly.

SGMII Example Design / Dynamic Switching Example Design with Ten-Bit Interface

Figure 4-8 illustrates an example design for top-level HDL for the Ethernet 1000BASE-X PCS/PMA or SGMII core in SGMII mode (or dynamic switching standard) with the TBI.



X12869

Figure 4-8: Example Design HDL for the Ethernet 1000BASE-X PCS/PMA or SGMII Core in SGMII Mode with TBI

As illustrated, the example is split between two hierarchical layers. The block level is designed so that it can be instantiated directly into customer designs and performs the following functions:

- Instantiates the core from HDL
- Connects the physical-side interface of the core to device IOBs, creating an external TBI.
- Connects the client side GMII of the core to an SGMII Adaptation Module, which provides the functionality to operate at speeds of 1 Gb/s, 100 Mb/s and 10 Mb/s.

The top level of the example design creates a specific example which can be simulated, synthesized and implemented. The top level of the example design performs the following functions:

- Instantiates the block level from HDL
- Derives the clock management logic for the core
- Implements an external GMII-style interface

The next few pages in this section describe each of the example design blocks (and associated HDL files) in detail, and conclude with an overview of the demonstration test bench provided for the design.

Top-Level Example Design HDL

The top-level example design for the Ethernet 1000BASE-X PCS/PMA core in SGMII mode is described in the following files:

VHDL

```
<project_dir>/<project_name>/<project_name>.srcs/sources1/ip/  
<component_name>/example_design/<component_name>_example_design.vhd
```

Verilog

```
<project_dir>/<project_name>/<project_name>.srcs/sources1/ip/  
<component_name>/example_design/<component_name>_example_design.v
```

The example design HDL top level contains the following:

- An instance of the SGMII block level
- Clock management logic, including DCM and Global Clock Buffer instances, where required
- External GMII logic, including IOB and DDR register instances, where required

The example design HDL top level connects the GMII of the block level to external IOBs. This allows the functionality of the core to be demonstrated using a simulation package, as described in this guide.

Block Level HDL

The following files describe the block level for the Ethernet 1000BASE-X PCS/PMA core in SGMII mode:

VHDL

```
<project_dir>/<project_name>/<project_name>.srcs/sources1/ip/<component_name>/  
synth/<component_name>_block.vhd
```

Verilog

```
<project_dir>/<project_name>/<project_name>.srcs/sources1/ip/<component_name>/
synth/<component_name>_block.v
```

The block level contains the following:

- An instance of the Ethernet 1000BASE-X PCS/PMA core in SGMII mode.
- TBI interface logic, including IOB and DDR registers instances, where required.
- An SGMII adaptation module containing:
 - The clock management logic required to enable the SGMII example design to operate at 10 Mb/s, 100 Mb/s, and 1 Gb/s.
 - GMII logic for both transmitter and receiver paths; the GMII style 8-bit interface is run at 125 MHz for 1 Gb/s operation; 12.5 MHz for 100 Mb/s operation; 1.25 MHz for 10 Mb/s operation.

The block level HDL connects the TBI of the core to external IOBs and the client side to SGMII Adaptation logic as illustrated in [Figure 4-8](#). This is the most useful part of the example design and should be instantiated in all customer designs that use the core.

SGMII Adaptation Module

The SGMII Adaptation Module is described in the following files:

VHDL

```
<project_dir>/<project_name>/<project_name>.srcs/sources1/ip/<component_name>/
synth/sgmii_adapt/
<component_name>_sgmii_adapt.vhd
<component_name>_clk_gen.vhd
<component_name>_johnson_cntr.vhd
<component_name>_tx_rate_adapt.vhd
<component_name>_rx_rate_adapt.vhd
```

Verilog

```
<project_dir>/<project_name>/<project_name>.srcs/sources1/ip/<component_name>/
synth/sgmii_adapt/
<component_name>_sgmii_adapt.v
<component_name>_clk_gen.v
<component_name>_johnson_cntr.v
<component_name>_tx_rate_adapt.v
<component_name>_rx_rate_adapt.v
```

The GMII of the core always operates at 125 MHz. The core makes no differentiation between the three speeds of operation; it always effectively operates at 1 Gb/s. However, at

100 Mb/s, every data byte run through the core should be repeated 10 times to achieve the required bit rate; at 10 Mb/s, each data byte run through the core should be repeated 100 times to achieve the required bit rate. Dealing with this repetition of bytes is the function of the SGMII adaptation module and its component blocks.

The SGMII adaptation module and component blocks are described in detail in [Additional Client-Side SGMII Logic in Chapter 8](#).

Demonstration Test Bench

Figure 4-9 illustrates the demonstration test bench for the Ethernet 1000BASE-X PCS/PMA or SGMII Core in SGMII mode with the TBI. The demonstration test bench is a simple VHDL or Verilog program to exercise the example design and the core itself.

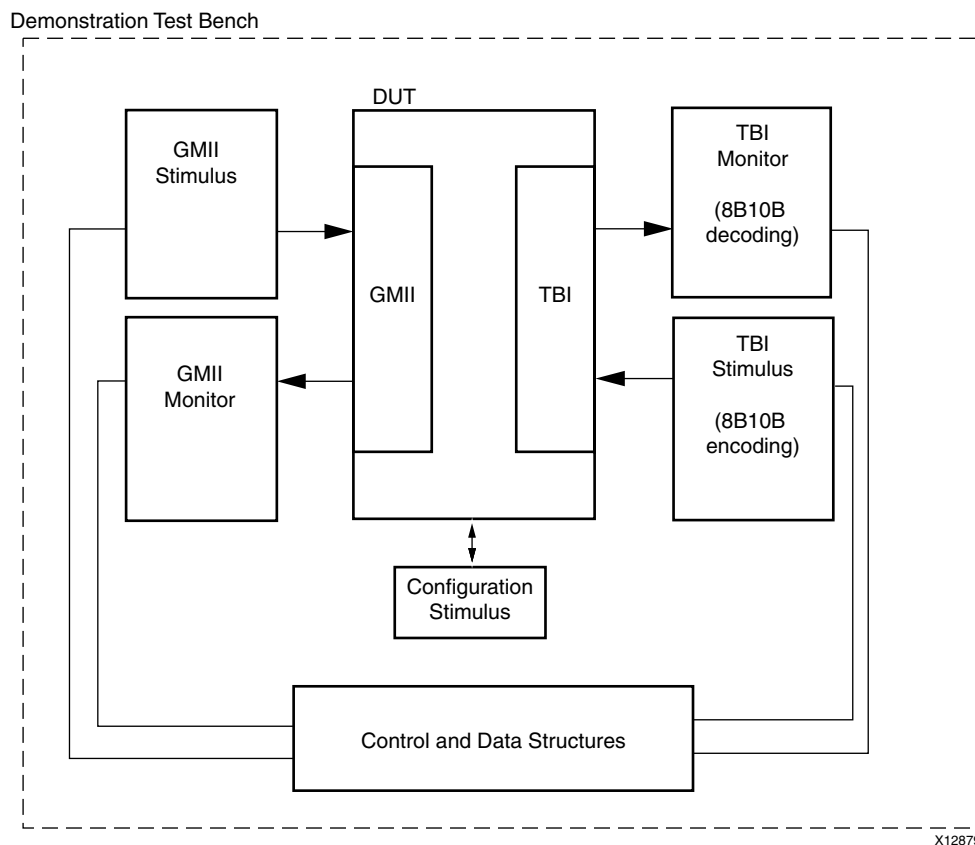


Figure 4-9: Demonstration Test Bench for the Ethernet 1000BASE-X PCS/PMA or SGMII Core in SGMII Mode with TBI

The top-level test bench entity instantiates the example design for the core, which is the Device Under Test (DUT). A stimulus block is also instantiated and clocks, resets and test bench semaphores are created. The following files describe the top-level of the demonstration test bench.

VHDL

```
<project_dir>/<project_name>/<project_name>.srcs/sources1/ip/<component_name>/  
simulation/demo_tb.vhd
```

Verilog

```
<project_dir>/<project_name>/<project_name>.srcs/sources1/ip/<component_name>/  
simulation/demo_tb.v
```

The stimulus block entity, instantiated from within the top-level test bench, creates the Ethernet stimulus in the form of four Ethernet frames, which are injected into GMII and TBI interfaces of the DUT. The output from the DUT is also monitored for errors. The following files describe the stimulus block of the demonstration test bench.

VHDL

```
<project_dir>/<project_name>/<project_name>.srcs/sources1/ip/<component_name>/  
simulation/stimulus_tb.vhd
```

Verilog

```
<project_dir>/<project_name>/<project_name>.srcs/sources1/ip/<component_name>/  
simulation/stimulus_tb.v
```

Together, the top-level test bench file and the stimulus block combine to provide the full test bench functionality which is described in the sections that follow.

The demonstration test bench performs the following tasks:

- Input clock signals are generated.
- A reset is applied to the example design.
- The Ethernet 1000BASE-X PCS/PMA core is configured through the MDIO interface by injecting an MDIO frame into the example design. This disables Auto-Negotiation and takes the core out of Isolate state.
- The following frames are injected into the GMII transmitter by the GMII stimulus block at 1 Gb/s.
 - the first is a minimum length frame
 - the second is a type frame
 - the third is an errored frame
 - the fourth is a padded frame

- The data received at the TBI transmitter interface is 8B/10B decoded. The resulting frames are checked by the TBI Monitor against the stimulus frames injected into the GMII transmitter to ensure data integrity.
- The same four frames are generated by the TBI Stimulus block. These are 8B/10B encoded and injected into the TBI receiver interface.
- Data frames received at the GMII receiver are checked by the GMII Monitor against the stimulus frames injected into the device-specific transceiver receiver to ensure data integrity.

Customizing the Test Bench

Changing Frame Data

You can change the contents of the four frames used by the demonstration test bench by changing the *data* and *valid* fields for each frame defined in the stimulus block. New frames can be added by defining a new frame of data. Modified frames are automatically updated in both stimulus and monitor functions.

Changing Frame Error Status

Errors can be inserted into any of the predefined frames in any position by setting the *error* field to 1 in any column of that frame. Injected errors are automatically updated in both stimulus and monitor functions.

Changing the Core Configuration

The configuration of the Ethernet 1000BASE-X PCS/PMA core used in the demonstration test bench can be altered.



CAUTION! *Certain configurations of the core cause the test bench to fail or cause processes to run indefinitely. For example, the demonstration test bench does not auto-negotiate with the design example. Determine the configurations that can safely be used with the test bench.*

The core can be reconfigured by editing the injected MDIO frame in the demonstration test bench top level.

Changing the Operational Speed

SGMII can be used to carry Ethernet traffic at 10 Mb/s, 100 Mb/s or 1 Gb/s. By default, the demonstration test bench is configured to operate at 1 Gb/s. The speed of both the example design and test bench can be set to the desired operational speed by editing the following settings, recompiling the test bench, then running the simulation again.

1 Gb/s Operation

```
set speed_is_10_100 to logic 0
```

100 Mb/s Operation

```
set speed_is_10_100 to logic 1
set speed_is_100 to logic 1
```

10 Mb/s Operation

```
set speed_is_10_100 to logic 1
set speed_is_100 to logic 0
```

1000BASE-X with Transceivers

This chapter provides general guidelines for creating 1000BASE-X designs for device-specific transceivers. Vivado® Design Suite supports Kintex® Ultrascale™, Zynq®-7000, Virtex®-7, Kintex-7, and Artix®-7 devices.

This chapter is organized into the following main sections, with each section being organized into FPGA families:

- [Transceiver Logic](#)

Provides a more detailed look at the device-specific transceivers and their connections to the netlist of the core.

- [Clock Sharing Across Multiple Cores with Transceivers](#)

Provides guidance for using several cores and transceiver instantiations; clock sharing should occur whenever possible to save device resources.

- [Example Design for 1000BASE-X with Transceivers](#)

Introduces the IP catalog example design deliverables.

This section also has an overview of the demonstration test bench that is provided with the example design.

Transceiver Logic

The example is split between two discrete hierarchical layers, as illustrated in [Figure 5-7](#). The block level is designed so that it can be instantiated directly into customer designs and provides the following functionality:

- Instantiates the core from HDL
- Connects the physical-side interface of the core to a Kintex Ultrascale, Virtex-7, Kintex-7, Artix-7 or Zynq-7000 device transceiver

The logic implemented in the block level is illustrated in all the figures and described in further detail for the remainder of this chapter.

Note: The optional transceiver control and status ports are not shown here. These ports have been brought up to the <component_name> module level.

Virtex-7 Devices

The core is designed to integrate with the 7 series FPGA transceiver. [Figure 5-1](#) illustrates the connections and logic required between the core and the transceiver—the signal names and logic in the figure precisely match those delivered with the example design when a 7 series FPGA transceiver is used.

The 125 MHz differential reference clock is routed directly to the 7 series FPGA transceiver. The transceiver is configured to output a version of this clock (62.5 MHz) on the `txoutclk` port; this is then routed to a MMCM. From the MMCM, the `clkout1` port (62.5 MHz) is placed onto global clock routing and is input back into the GTXE2/GTHE2 transceiver on the user interface clock ports `rxusrclk`, `rxusrclk2`, `txusrclk`, and `txusrclk2`. The `clkout0` port (125 MHz) of MMCM is placed onto global clock routing and can be used as the 125 MHz clock source for all core logic. The clocking logic is included in a separate module `<component_name>_clocking` which is instantiated in the `<component_name>_support` module.

The two wrapper files immediately around the GTX/GTH transceiver pair, `gtwizard` and `gtwizard_gt` ([Figure 5-1](#)), are generated from the 7 series FPGA Transceiver Wizard. These files apply all the gigabit Ethernet attributes. Consequently, these files can be regenerated by customers. The core configuration file that was created when the 7 series FPGA Transceiver Wizard project was generated is available in the following location:

```
<project_dir>/<project_name>/<project_name>.srcs/sources1/ip/<component_name>/  
synth/transceiver/<component_name>_gtwizard.xci.
```

The XCI file can be used as an input to a Vivado design tools project by clicking **Add Sources** in the Flow Navigator task bar and selecting the XCI file. The XCI file itself contains a list of all of the Transceiver Wizard attributes that were used. For further information, see the *7 Series FPGAs GTX/GTH Transceivers User Guide* (UG476) [[Ref 7](#)].

A 500 ns wait time for reset is generated with respect to the system clock input in the `<component_name>_gtwizard_init.v[hd]` module. The `STABLE_CLOCK_PERIOD` attribute in this file has to be set to the period of the system clock.

For further information, see "Reset and Initialization" section in the *7 Series FPGAs GTX/GTH Transceivers User Guide (UG476)* [Ref 7].

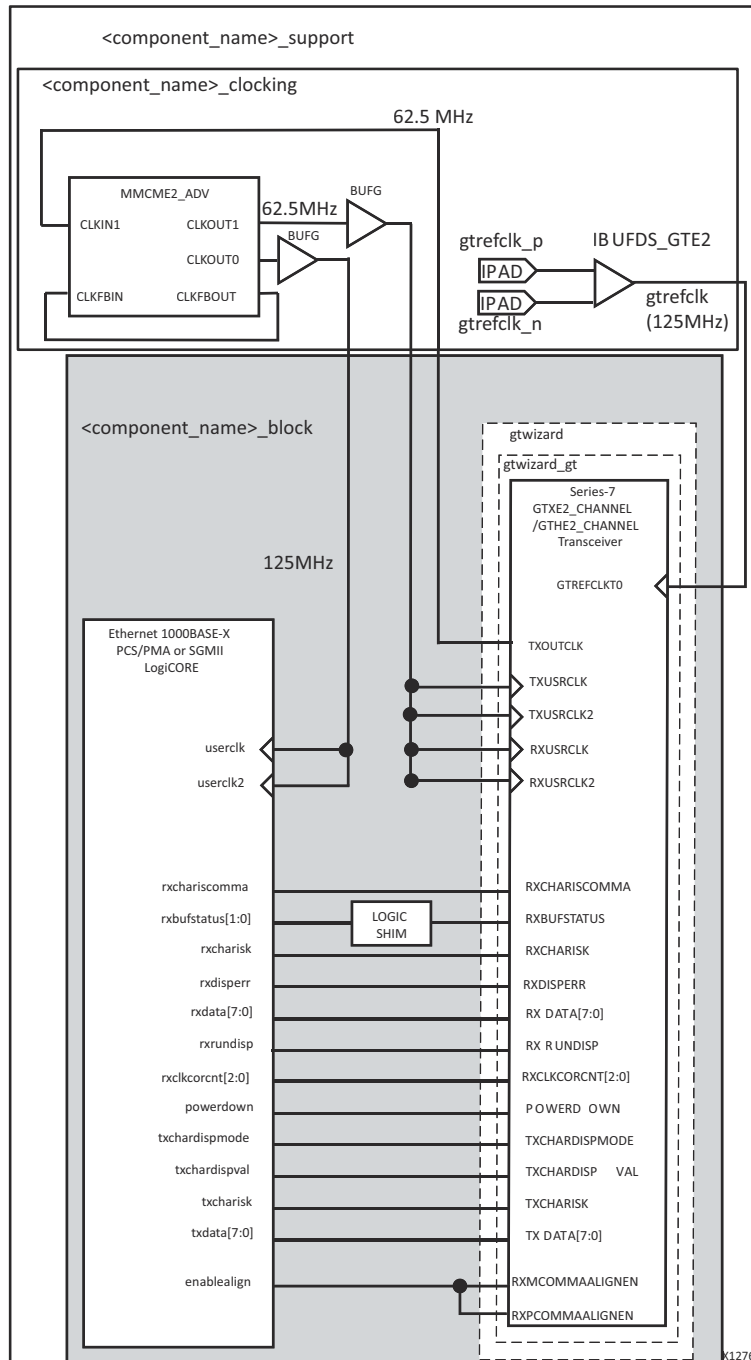


Figure 5-1: 1000BASE-X Connection to Virtex-7 Transceivers

Kintex-7 and Zynq-7000 Devices

The core is designed to integrate with the 7 series FPGA transceiver. Figure 5-2 illustrates the connections and logic required between the core and the transceiver—the signal names and logic in the figure precisely match those delivered with the example design when a 7 series FPGA transceiver is used.

The 125 MHz differential reference clock is routed directly to the 7 series FPGA transceiver. The transceiver is configured to output a version of this clock (62.5 MHz) on the `txoutclk` port; this is then routed to a MMCM through a BUFG (global clock routing). From the MMCM, the `clkout1` port (62.5 MHz) is placed onto global clock routing and is input back into the GTXE2 transceiver on the user interface clock ports `rxusrclk`, `rxusrclk2`, `txusrclk` and `txusrclk2`. The `clkout0` port (125 MHz) of MMCM is placed onto global clock routing and can be used as the 125 MHz clock source for all core logic. The clocking logic is included in a separate module `<component_name>_clocking` which is instantiated in the `<component_name>_support` module.

The two wrapper files immediately around the GTX transceiver pair, `gtwizard` and `gtwizard_gt` (Figure 5-2), are generated from the 7 series FPGA Transceiver Wizard. These files apply all the gigabit Ethernet attributes. Consequently, these files can be regenerated by customers.

The core configuration file that was created when the 7 series FPGA Transceiver Wizard project was generated is available in the location:

```
<project_dir>/<project_name>/<project_name>.srcs/sources1/ip/<component_name>/  
synth/transceiver/<component_name>_gtwizard.xci
```

The XCI file can be used as an input to a Vivado design tools project by clicking on **Add Sources** in the Flow Navigator task bar and selecting the XCI file. The XCI file itself contains a list of all of the transceiver wizard attributes that were used. For further information, see the *7 Series FPGAs GTX/GTH Transceivers User Guide* (UG476) [Ref 7].

A 500 ns wait time for reset is generated with respect to the system clock input in the `<component_name>_gtwizard_init.v[hd]` module. The `STABLE_CLOCK_PERIOD` attribute in this file has to be set to the period of the system clock.

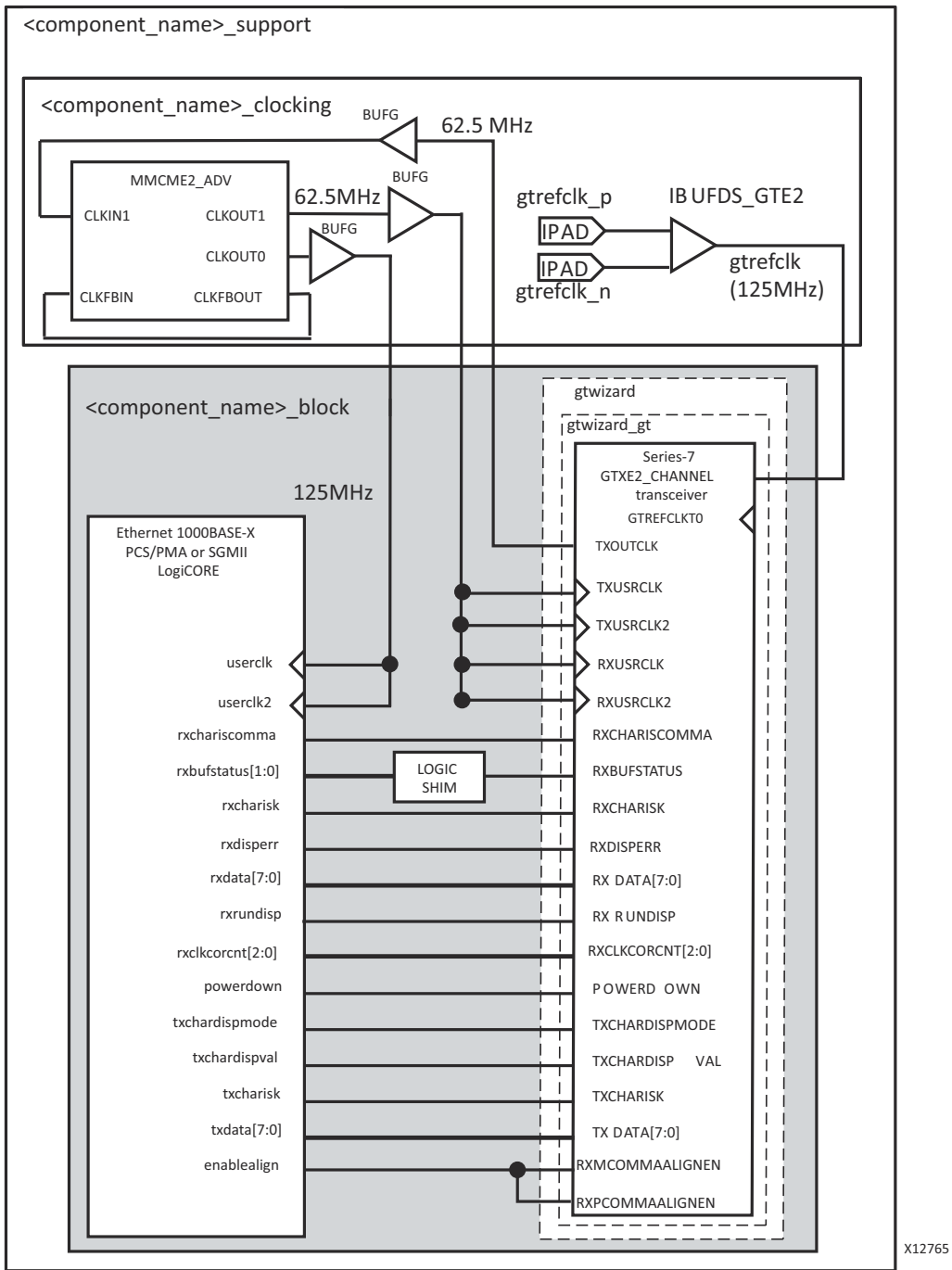


Figure 5-2: 1000BASE-X Connection to Kintex-7 and Zynq-7000 Device Transceivers

Artix-7 Devices

The core is designed to integrate with the 7 series FPGA transceiver. [Figure 5-3](#) illustrates the connections and logic required between the core and the transceiver—the signal names and logic in the figure precisely match those delivered with the example design when a 7 series FPGA transceiver is used.

The 125 MHz differential reference clock is routed directly to the 7 series FPGA transceiver. The transceiver is configured to output a version of this clock (62.5 MHz) on the `txoutclk` port. The clock is then routed to a MMCM through a BUFG (global clock routing). From the MMCM, the `clkout1` port (62.5 MHz) is placed onto global clock routing and is input back into the GTPE2 transceiver on the user interface clock ports `rxusrclk`, `rxusrclk2`, `txusrclk` and `txusrclk2`. The `clkout0` port (125 MHz) of MMCM is placed onto global clock routing and can be used as the 125 MHz clock source for all core logic. The clocking logic is included in a separate module `<component_name>_clocking` which is instantiated in the `<component_name>_support` module.

The two wrapper files immediately around the GTP transceiver pair, `gtwizard` and `gtwizard_gt` ([Figure 5-3](#)), are generated from the 7 series FPGA transceiver wizard. These files apply all the gigabit Ethernet attributes. Consequently, these files can be regenerated by customers.

The core configuration file that was created when the 7 series FPGA transceiver wizard project was generated is available in the location:

```
<project_dir>/<project_name>/<project_name>.srcs/sources1/ip/<component_name>/  
synth/transceiver/<component_name>_gtwizard.xci
```

The XCI file can be used as an input to a Vivado design tools project by clicking on **Add Sources** in the Flow Navigator task bar and selecting the XCI file. The XCI file itself contains a list of all of the transceiver wizard attributes that were used. For further information, see the *7 Series FPGAs GTP Transceivers User Guide* (UG482) [[Ref 8](#)].

A 500 ns wait time for reset is generated with respect to the system clock input in the `<component_name>_gtwizard_init.v[hd]` module. The `STABLE_CLOCK_PERIOD` attribute in this file has to be set to the period of the system clock. For further information, see Reset and Initialization Section in the *7 Series FPGAs GTP Transceivers User Guide* (UG482) [[Ref 8](#)].

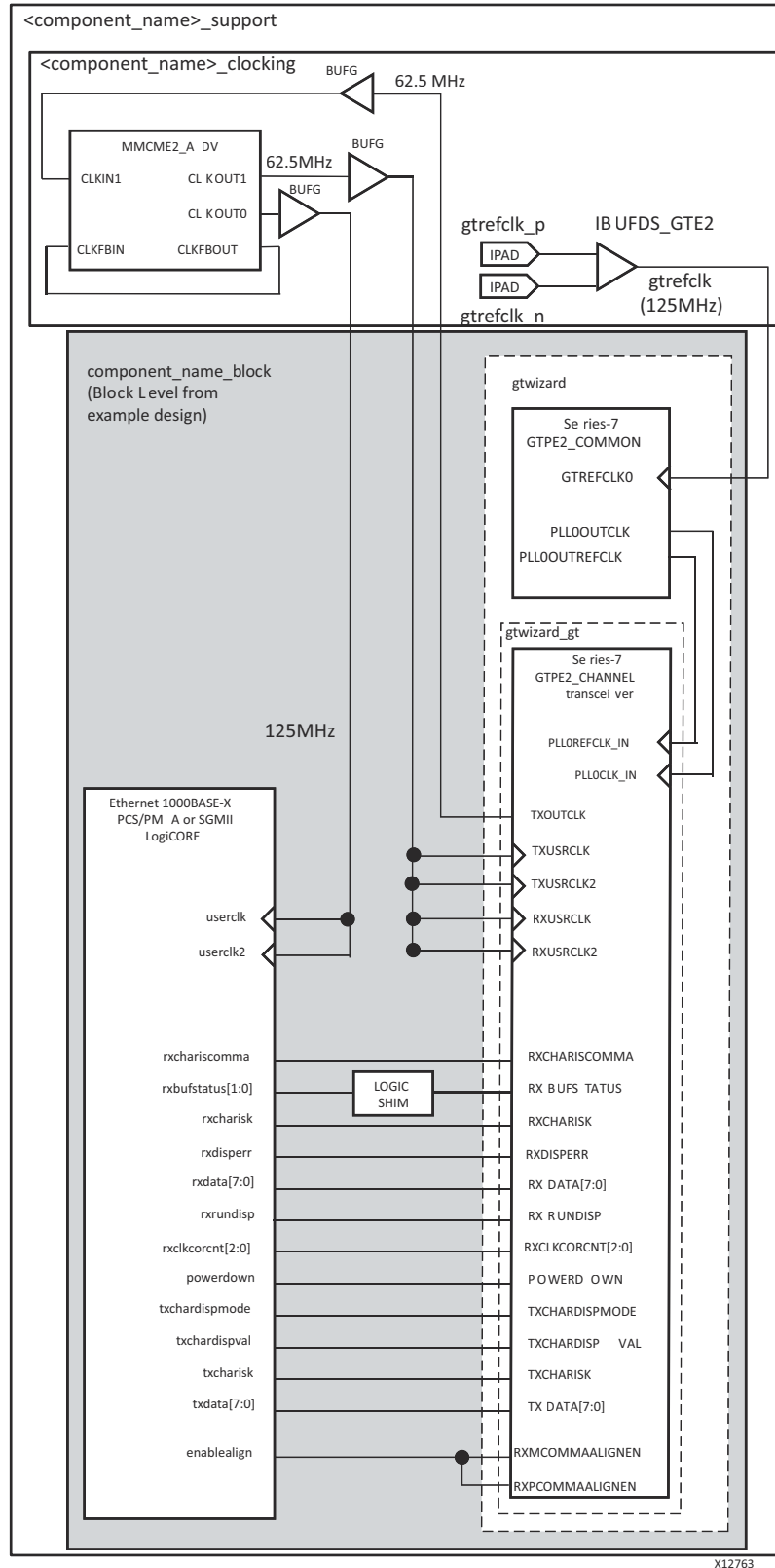


Figure 5-3: 1000BASE-X Connection to Artix-7 Transceiver

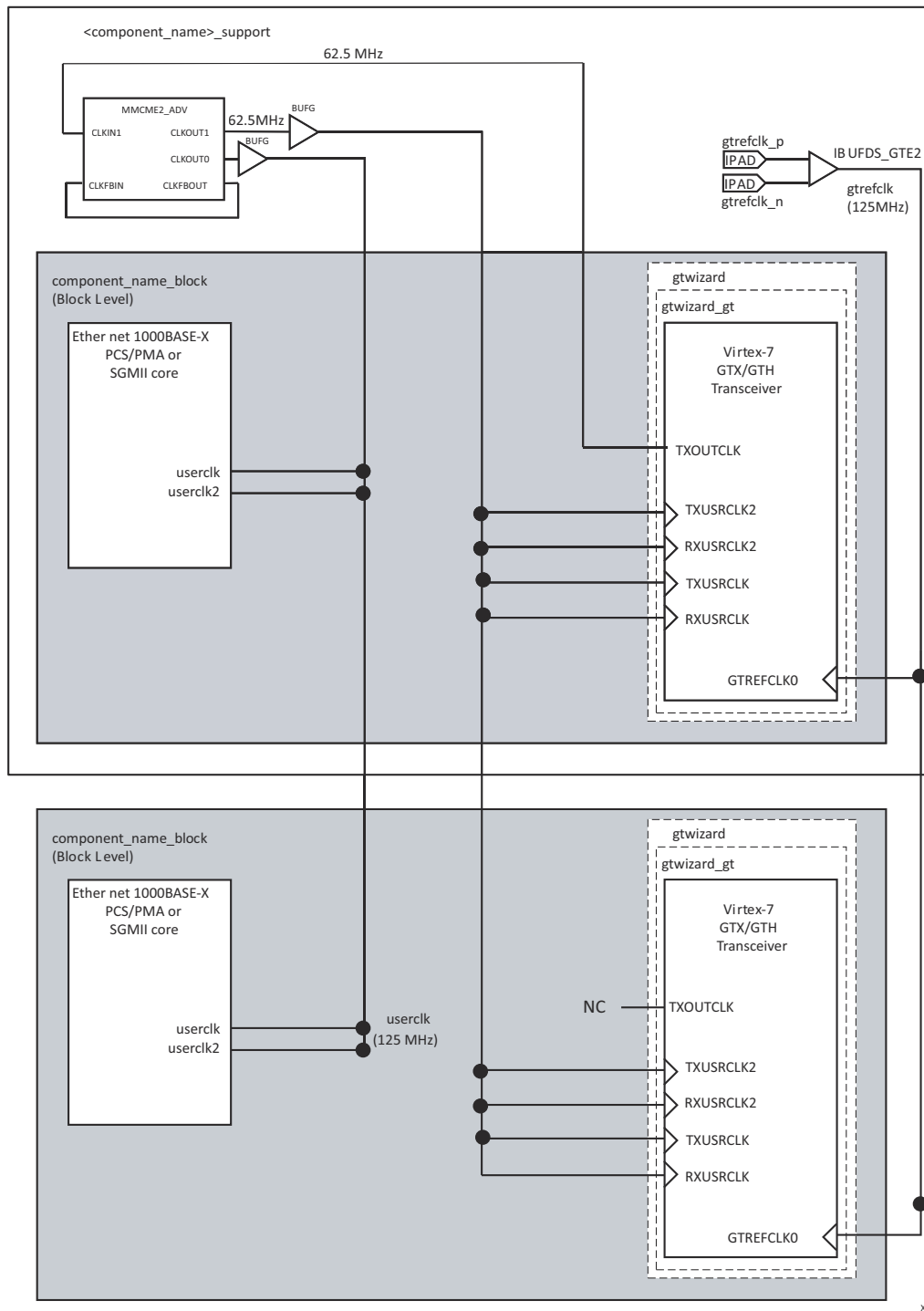
Clock Sharing Across Multiple Cores with Transceivers

One instance of the core is generated with the **Include Shared Logic in Core** option. This instance contains all the clocking logic that can be shared. The remaining instances can be generated using the **Include Shared Logic in Example Design** option. This method of using the shared logic core is limited to a GT Quad.

Virtex-7 Devices

Figure 5-4 illustrates sharing clock resources across two instantiations of the core when using 7 series FPGAs Transceivers. Additional cores can be added by continuing to instantiate extra block level modules.

To provide the FPGA logic clocks for all core instances, select a `txoutclk` port from any transceiver and route this to a single MMCM. The `clkout0` (125 MHz) and `clkout1` (62.5 MHz) outputs from this MMCM, placed onto global clock routing using BUFGs, can be shared across all core instances and transceivers as illustrated.



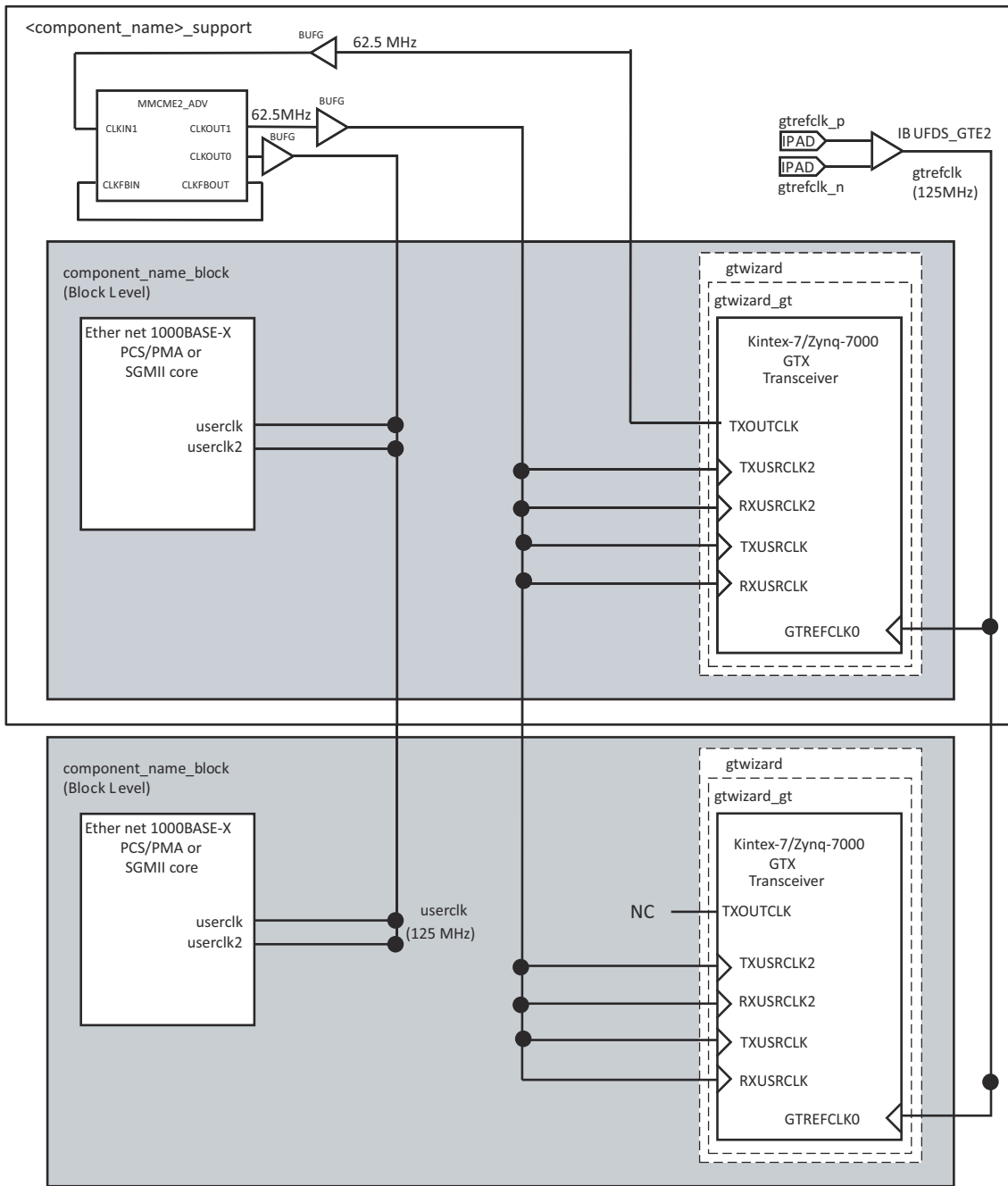
X12830

Figure 5-4: Clock Management-Multiple Core Instances, Virtex-7 FPGA Transceivers for 1000BASE-X

Kintex-7 and Zynq-7000 Devices

Figure 5-5 illustrates sharing clock resources across two instantiations of the core when using 7 series FPGAs transceivers. Additional cores can be added by continuing to instantiate extra block level modules.

To provide the FPGA logic clocks for all core instances, select a `txoutclk` port from any transceiver and route this to a single MMCM through a BUFG (global clock routing). The `clkout0` (125 MHz) and `clkout1` (62.5 MHz) outputs from this MMCM, placed onto global clock routing using BUFGs, can be shared across all core instances and transceivers as illustrated.



X12825

Figure 5-5: Clock Management-Multiple Core Instances, Kintex-7/Zynq-7000 Device Transceivers for 1000BASE-X

Artix-7 Devices

Figure 5-6 illustrates sharing clock resources across two instantiations of the core when using 7 series FPGAs Transceivers. Additional cores can be added by continuing to instantiate extra block level modules.

To provide the FPGA logic clocks for all core instances, select a `txoutclk` port from any transceiver and route this to a single MMCM. The `clkout0` (125 MHz) and `clkout1` (62.5 MHz) outputs from this MMCM, placed onto global clock routing using BUFGs, can be shared across all core instances and transceivers as illustrated.

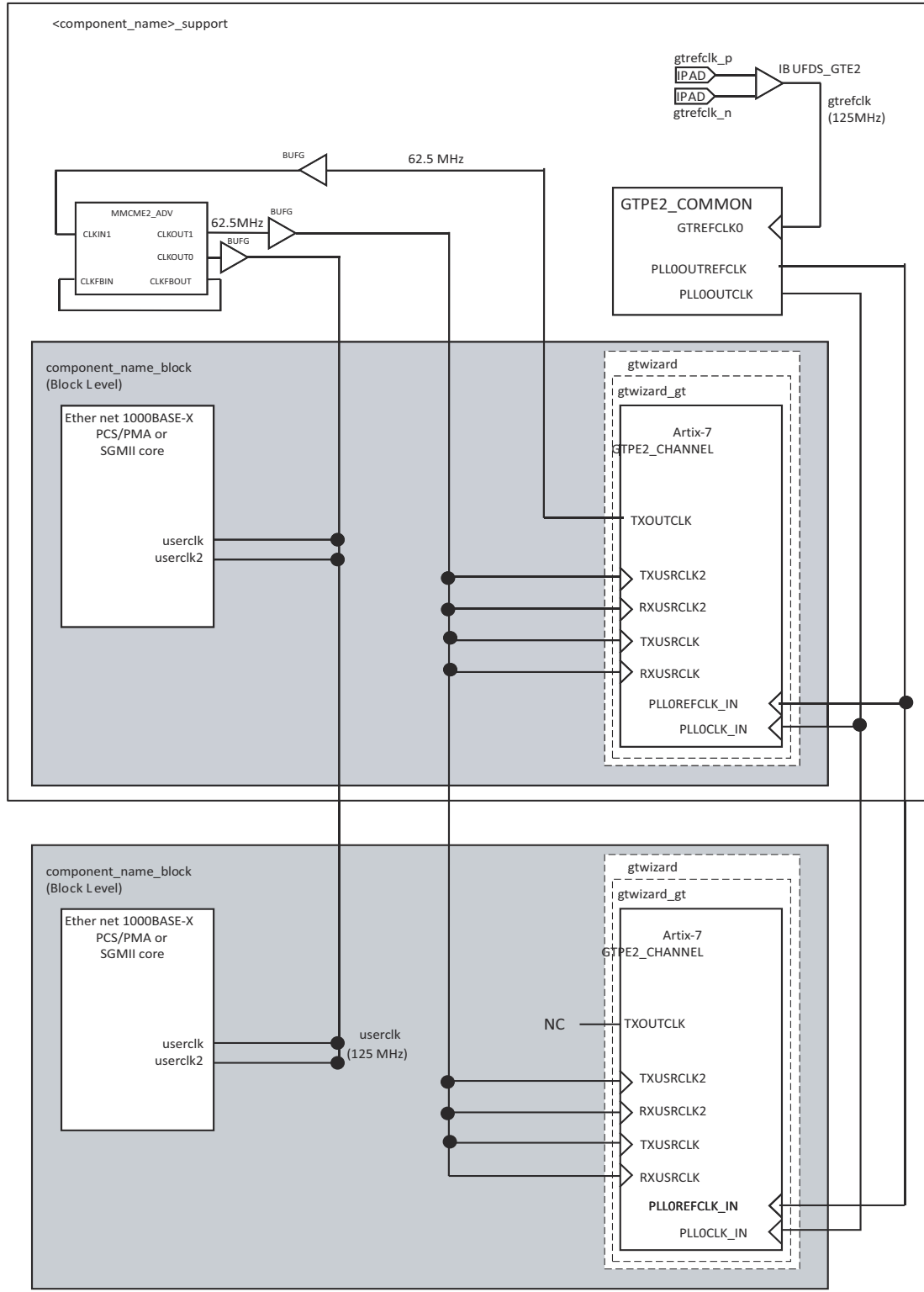


Figure 5-6: Clock Management-Multiple Core Instances, Artix-7 FPGA Transceivers for 1000BASE-X

Example Design for 1000BASE-X with Transceivers

Figure 5-7 illustrates the complete example design for the Ethernet 1000BASE-X PCS/PMA using the transceiver specific to the target device (Kintex Ultrascale, Virtex-7, Kintex-7, Artix-7 or Zynq-7000).

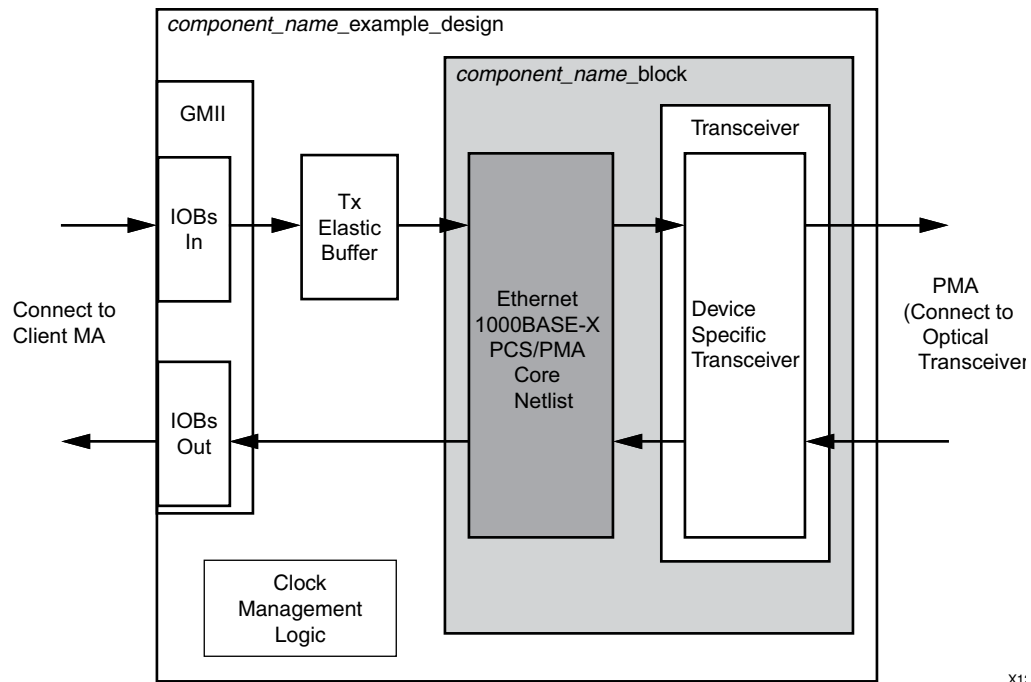


Figure 5-7: Example Design HDL for the Ethernet 1000BASE-X PCS/PMA Using a Device-Specific Transceiver

As illustrated, the example is split between two hierarchical layers. The block level is designed so that it can be instantiated directly into your design and performs the following functions:

- Instantiates the core from block level from HDL in case the shared logic in the core is selected, otherwise support level.
- Connects the physical-side interface of the core to a device-specific transceiver

The top level of the example design creates a specific example that can be simulated, synthesized, implemented, and if required, placed on a suitable board and demonstrated in hardware. The top level of the example design performs the following functions:

- Instantiates the block level from block level from HDL in case the shared logic in the core is selected, otherwise support level.
- Derives the clock management logic for a device-specific transceiver and the core
- Implements an external GMII

The next few pages in this section describe each of the example design blocks (and associated HDL files) in detail, and conclude with an overview of the demonstration test bench provided for the design.

Top-Level Example Design HDL

The following files describe the top-level example design for the Ethernet 1000BASE-X PCS/PMA core using a transceiver specific to the desired device.

VHDL

```
<project_dir>/<project_name>/<project_name>.srcs/sources1/ip/<component_name>/  
example_design/<component_name>_example_design.vhd
```

Verilog

```
<project_dir>/<project_name>/<project_name>.srcs/sources1/ip/<component_name>/  
example_design/<component_name>_example_design.v
```

The example design HDL top level contains the following:

- An instance of the Ethernet 1000BASE-X PCS/PMA
- Clock management logic for the core and the device-specific transceiver, including DCM (if required) and Global Clock Buffer instances
- A transmitter elastic buffer
- GMII interface logic, including IOB instances

The example design HDL top-level connects the GMII of the block level to external IOBs. This configuration allows the functionality of the core to be demonstrated using a simulation package as discussed in this guide. The example design can also be synthesized and, if required, placed on a suitable board and demonstrated in hardware.

Support Level HDL

The following files describe the block level for the 1000Base-X/SGMII PCS/PMA core. The files can be found in /synth directory if shared logic in core is selected or /example_design/support if shared logic in example design is selected.

VHDL

```
/synth/<component_name>_support.vhd or  
/example_design/support/<component_name>_support.vhd
```

Verilog

```
/synth/<component_name>_support.v or  
/example_design/support/<component_name>_support.v
```

<component_name>_support module instantiates idelayctrl, clocking and reset modules.

VHDL

```
/synth/<component_name>_idelayctrl.vhd or  
/example_design/support/<component_name>_idelayctrl.vhd
```

```
/synth/<component_name>_clocking.vhd or  
/example_design/support/<component_name>_clocking.vhd
```

```
/synth/<component_name>_resets.vhd or  
/example_design/support/<component_name>_resets.vhd
```

Verilog

```
/synth/<component_name>_idelayctrl.v or  
/example_design/support/<component_name>_idelayctrl.v
```

```
/synth/<component_name>_clocking.v or  
/example_design/support/<component_name>_clocking.v
```

```
/synth/<component_name>_resets.v or  
/example_design/support/<component_name>_resets.v
```

Block Level HDL

The following files describe the block-level design for the Ethernet 1000BASE-X PCS/PMA core using a device-specific transceiver specific to the target device.

VHDL

```
<project_dir>/<project_name>/<project_name>.srcs/sources1/ip/<component_name>/  
synth/<component_name>_block.vhd
```

Verilog

```
<project_dir>/<project_name>/<project_name>.srcs/sources1/ip/<component_name>/  
synth/<component_name>_block.v
```

The block-level HDL contains the following:

- An instance(s) of the Ethernet 1000BASE-X PCS/PMA core
- An instance(s) of a transceiver specific to a Kintex Ultrascale, Virtex-7, Kintex-7, Artix-7 or Zynq-7000 device

The block-level HDL connects the PHY side interface of the core to a device-specific transceiver, as illustrated in [Figure 5-7](#). This is the most useful part of the example design and should be instantiated in all customer designs that use the core.

Transceiver Files for Zynq-7000, Virtex-7, Kintex-7, and Artix-7 Devices

Transceiver Wrapper

This device-specific transceiver wrapper is instantiated from the block-level HDL file of the example design and is described in the following files:

VHDL

```
<project_dir>/<project_name>/<project_name>.srcs/sources1/ip/<component_name>/  
synth/transceiver/<component_name>_transceiver.vhd
```

Verilog

```
<project_dir>/<project_name>/<project_name>.srcs/sources1/ip/<component_name>/  
synth/transceiver/<component_name>_transceiver.v
```

This file instances output source files from the transceiver wizard (used with Gigabit Ethernet 1000BASE-X attributes).

Zynq-7000, Virtex-7, Kintex-7, and Artix-7 Device Transceiver Wizard Files

For Zynq-7000, Virtex-7, Kintex-7, and Artix-7 devices, the transceiver wrapper file directly instantiates device-specific transceiver wrapper files created from the serial transceiver Wizard. These files tie off (or leave unconnected) unused I/O for the transceiver and apply the 1000BASE-X attributes. The files can be edited/tailored by re-running the wizard and swapping these files. The files delivered can include some or all of the following:

VHDL

```
<project_dir>/<project_name>/<project_name>.srcs/sources1/ip/<component_name>/  
synth/transceiver/<component_name>_gtwizard_init.vhd  
<project_dir>/<project_name>/<project_name>.srcs/sources1/ip/<component_name>/  
synth/transceiver/<component_name>_tx_startup_fsm.vhd  
<project_dir>/<project_name>/<project_name>.srcs/sources1/ip/<component_name>/synth  
/transceiver/<component_name>_gtwizard_multi_gt.vhd  
<project_dir>/<project_name>/<project_name>.srcs/sources1/ip/<component_name>/synth  
/transceiver/<component_name>_rx_startup_fsm.vhd  
<project_dir>/<project_name>/<project_name>.srcs/sources1/ip/<component_name>/synth  
/transceiver/<component_name>_gtwizard_gtrxreset_seq.vhd  
<project_dir>/<project_name>/<project_name>.srcs/sources1/ip/<component_name>/  
synth/transceiver/<component_name>_gtwizard.vhd  
<project_dir>/<project_name>/<project_name>.srcs/sources1/ip/<component_name>/  
synth/transceiver/<component_name>_gtwizard_gt.vhd  
/synth/transceiver/<component_name>_gtwizard_gtp_rxpmarst_seq_vhd.vhd  
/synth/transceiver/<component_name>_gtwizard_gtp_rxrate_seq.vhd
```

Verilog

```
<project_dir>/<project_name>/<project_name>.srcs/sources1/ip/<component_name>/  
synth/transceiver/<component_name>_gtwizard_init.v  
<project_dir>/<project_name>/<project_name>.srcs/sources1/ip/<component_name>/  
synth/transceiver/<component_name>_tx_startup_fsm.v  
<project_dir>/<project_name>/<project_name>.srcs/sources1/ip/<component_name>/  
synth/transceiver/<component_name>_rx_startup_fsm.v  
<project_dir>/<project_name>/<project_name>.srcs/sources1/ip/<component_name>/synth  
/transceiver/<component_name>_gtwizard_gtrxreset_seq.v  
<project_dir>/<project_name>/<project_name>.srcs/sources1/ip/<component_name>/synth  
/transceiver/<component_name>_gtwizard_multi_gt.v  
<project_dir>/<project_name>/<project_name>.srcs/sources1/ip/<component_name>/synth  
/transceiver/<component_name>_gtwizard.v  
<project_dir>/<project_name>/<project_name>.srcs/sources1/ip/<component_name>/  
synth/transceiver/<component_name>_gtwizard_gt.v  
/synth/transceiver/<component_name>_gtwizard_gtp_rxpmarst_seq_vhd.v  
/synth/transceiver/<component_name>_gtwizard_gtp_rxrate_seq.v
```

This file can be used as an input to a Vivado Design Suite by clicking on **Add Sources** in the Flow Navigator task bar and selecting the XCI file.

Transmitter Elastic Buffer

The Transmitter Elastic Buffer is described in the following files:

VHDL

```
<project_dir>/<project_name>/<project_name>.srcs/sources1/ip/<component_name>/  
example_design/<component_name>_tx_elastic_buffer.vhd
```

Verilog

```
<project_dir>/<project_name>/<project_name>.srcs/sources1/ip/<component_name>/  
<component_name>_tx_elastic_buffer.v
```

When the GMII is used externally (as in this example design), the GMII transmit signals (inputs to the core from a remote MAC at the other end of the interface) are synchronous to a clock that is likely to be derived from a different clock source to the core. For this reason, GMII transmit signals must be transferred into the core main clock domain before they can be used by the core and device-specific transceiver. This is achieved with the Transmitter Elastic Buffer, an asynchronous FIFO implemented in distributed RAM. The operation of the elastic buffer is to attempt to maintain a constant occupancy by inserting or removing any idle sequences. This causes no corruption to the frames of data.

When the GMII is used as an internal interface, it is expected that the entire interface will be synchronous to a single clock domain, and the transmitter elastic buffer should be discarded.

Demonstration Test Bench

Figure 5-8 illustrates the demonstration test bench for the Ethernet 1000BASE-X PCS/PMA using a device-specific transceiver. The demonstration test bench is a simple VHDL or Verilog program to exercise the example design and the core.

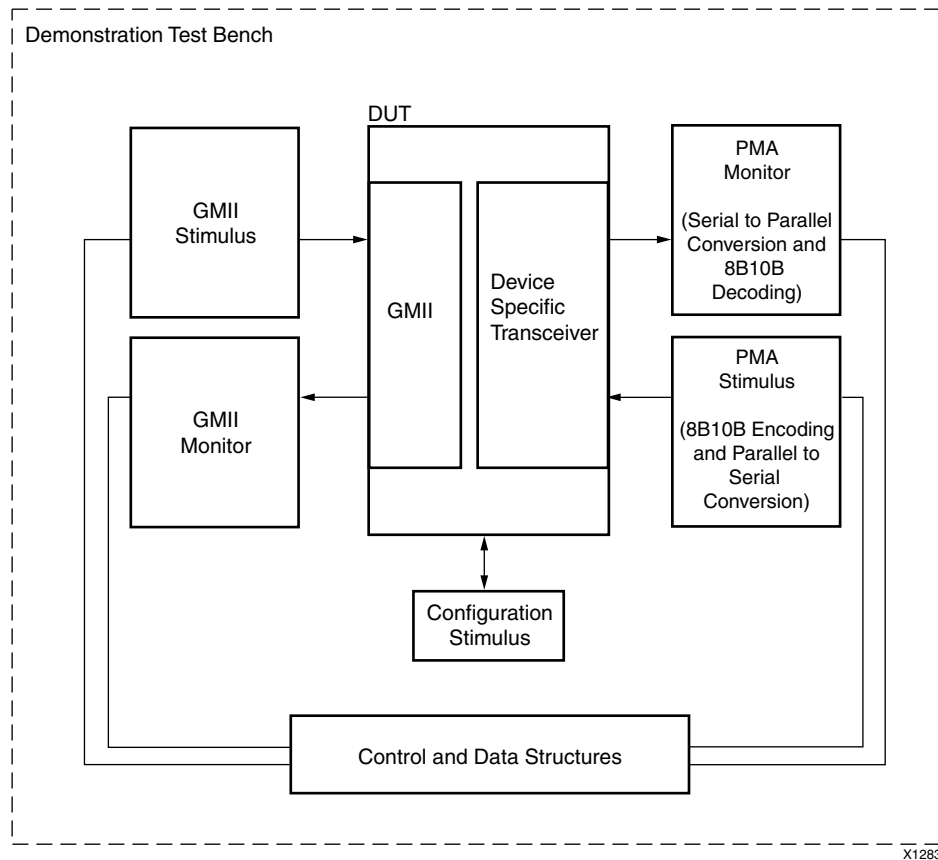


Figure 5-8: Demonstration Test Bench Using Device-Specific Transceiver

The top-level test bench entity instantiates the example design for the core, which is the Device Under Test (DUT). A stimulus block is also instantiated and clocks, resets, and test bench semaphores are created. The following files describe the top level of the demonstration test bench:

VHDL

```
<project_dir>/<project_name>/<project_name>.srcs/sources1/ip/<component_name>/  
simulation/demo_tb.vhd
```

Verilog

```
<project_dir>/<project_name>/<project_name>.srcs/sources1/ip/<component_name>/  
simulation/demo_tb.v
```

The stimulus block entity, instantiated from within the test bench top level, creates the Ethernet stimulus in the form of four Ethernet frames, which are injected into the GMII and PHY interfaces of the DUT. The output from the DUT is also monitored for errors. The following files describe the stimulus block of the demonstration test bench.

VHDL

```
<project_dir>/<project_name>/<project_name>.srcs/sources1/ip/<component_name>/  
simulation/stimulus_tb.vhd
```

Verilog

```
<project_dir>/<project_name>/<project_name>.srcs/sources1/ip/<component_name>/  
simulation/stimulus_tb.v
```

Together, the top-level test bench file and the stimulus block combine to provide the full test bench functionality, described in the sections that follow.

Core with MDIO Interface

The demonstration test bench performs the following tasks:

- Input clock signals are generated.
- A reset is applied to the example design.
- The Ethernet 1000BASE-X PCS/PMA core is configured through the MDIO interface by injecting an MDIO frame into the example design. This disables auto-negotiation (if present) and takes the core out of the Isolate state.
- Four frames are injected into the GMII transmitter by the GMII stimulus block.
 - the first frame is a minimum length frame
 - the second frame is a type frame
 - the third frame is an errored frame
 - the fourth frame is a padded frame

- The serial data received at the device-specific transmitter interface is converted to 10-bit parallel data, then 8B/10B decoded. The resulting frames are checked by the PMA Monitor against the stimulus frames injected into the GMII transmitter to ensure data integrity.
- The same four frames are generated by the PMA stimulus block. These are 8B/10B encoded, converted to serial data, and injected into the device-specific transceiver receiver interface.
- Data frames received at the GMII receiver are checked by the GMII Monitor against the stimulus frames injected into the device-specific transceiver receiver to ensure data integrity.

Core without MDIO Interface

The demonstration test bench performs the following tasks:

- Input clock signals are generated.
- A reset is applied to the example design.
- The Ethernet 1000BASE-X PCS/PMA core is configured using the configuration vector to take the core out of the Isolate state.
- Four frames are injected into the GMII transmitter by the GMII stimulus block.
 - the first frame is a minimum length frame
 - the second frame is a type frame
 - the third frame is an errored frame
 - the fourth frame is a padded frame
- The serial data received at the device-specific transmitter interface is converted to 10-bit parallel data, then 8B/10B decoded. The resultant frames are checked by the PMA Monitor against the stimulus frames injected into the GMII transmitter to ensure data integrity.
- The same four frames are generated by the PMA stimulus block. These are 8B/10B encoded, converted to serial data and injected into the device-specific receiver interface.
- Data frames received at the GMII receiver are checked by the GMII monitor against the stimulus frames injected into the device-specific transceiver receiver to ensure data is the same.

Customizing the Test Bench

Changing Frame Data

You can change the contents of the four frames used by the demonstration test bench by changing the *data* and *valid* fields for each frame defined in the stimulus block. New frames can be added by defining a new frame of data. Modified frames are automatically updated in both stimulus and monitor functions.

Changing Frame Error Status

Errors can be inserted into any of the predefined frames in any position by setting the *error* field to 1 in any column of that frame. Injected errors are automatically updated in both stimulus and monitor functions.

Changing the Core Configuration

The configuration of the Ethernet 1000BASE-X PCS/PMA core used in the demonstration test bench can be altered.



CAUTION! *Certain configurations of the core cause the test bench to fail or cause processes to run indefinitely. For example, the demonstration test bench does not auto-negotiate with the example design. Determine the configurations that can safely be used with the test bench.*

When the MDIO interface option is selected, the core can be reconfigured by editing the injected MDIO frame in the demonstration test bench top level. Management Registers 0 and 4 can additionally be written through `configuration_vector[4:0]` and `an_adv_config_vector[15:0]` interface signals respectively.

When the MDIO interface option is not selected, the core can be reconfigured by modifying the configuration vector directly.

SGMII / Dynamic Standards Switching with Transceivers

This chapter provides general guidelines for creating SGMII designs, and designs capable of switching between 1000BASE-X and SGMII standards (Dynamic Standards Switching), using a device-specific transceiver. Throughout this chapter, any reference to SGMII also applies to the Dynamic Standards Switching implementation.

This chapter is organized into the following main sections:

- [Receiver Elastic Buffer Implementations](#)

This section provides an explanation of the two Receiver Elastic Buffer implementations; one implementation uses the buffer present in the device-specific transceivers, and the other uses a larger buffer, implemented in the FPGA logic.

- [Transceiver Logic with the FPGA Logic Rx Elastic Buffer](#) or [Transceiver Logic with the FPGA Logic Rx Elastic Buffer](#)

After selecting the type of Receiver Elastic Buffer, see the relevant one of these two sections to obtain an explanation of the device-specific transceiver and core logic in all supported device families.

- [Clock Sharing - Multiple Cores with Transceivers and FPGA Logic Elastic Buffer](#)

The section provides guidance for using several cores and transceiver instantiations; clock sharing should occur whenever possible to save device resources.

- [SGMII Example Design / Dynamic Switching Example Design Using a Transceiver](#)

This section introduces the IP catalog example design deliverables. This section also contains an overview of the demonstration test bench that is provided with the example design. Vivado® Design Suite supports Kintex® Ultrascale™, Zynq®-7000, Virtex®-7, Kintex-7, and Artix®-7 devices.

Receiver Elastic Buffer Implementations

Selecting the Buffer Implementation from the Vivado Integrated Design Environment

The Vivado Integrated Design Environment (IDE) provides two SGMII capability options:

- 10/100/1000 Mb/s (clock tolerance compliant with Ethernet specification)
- 10/100/1000 Mb/s (restricted tolerance for clocks) OR 100/1000 Mb/s

The first option, 10/100/1000 Mb/s (clock tolerance compliant with Ethernet specification) is the default and provides the implementation using the Receiver Elastic Buffer in FPGA logic. This alternative Receiver Elastic Buffer uses a single block RAM to create a buffer twice as large as the one present in the device-specific transceiver, for this reason consuming extra logic resources. However, this default mode is reliable for all implementations using standard Ethernet frame sizes. Further consideration must be made for jumbo frames.

The second option, 10/100/1000 Mb/s (restricted tolerance for clocks) or 100/1000 Mb/s, uses the receiver elastic buffer present in the device-specific transceivers. This is half the size and can potentially underflow or overflow during SGMII frame reception at 10 Mb/s operation (see the next section). However, there are logical implementations where this can be reliable and has the benefit of lower logic utilization.

The Requirement for the FPGA Logic Rx Elastic Buffer

Figure 6-1 illustrates a simplified diagram of a common situation where the core, in SGMII mode, is interfaced to an external PHY device. Separate oscillator sources are used for the FPGA and the external PHY. The Ethernet specification uses clock sources with a tolerance of 100 Parts Per Million (ppm). In Figure 6-1, the clock source for the PHY is slightly faster than the clock source to the FPGA. For this reason, during frame reception, the receiver elastic buffer (shown here as implemented in the device-specific transceiver) starts to fill.

Following frame reception, in the interframe gap period, idles are removed from the received data stream to return the Rx Elastic Buffer to half-full occupancy. This is performed by the clock correction circuitry (see the device-specific transceiver user guide for the targeted device).

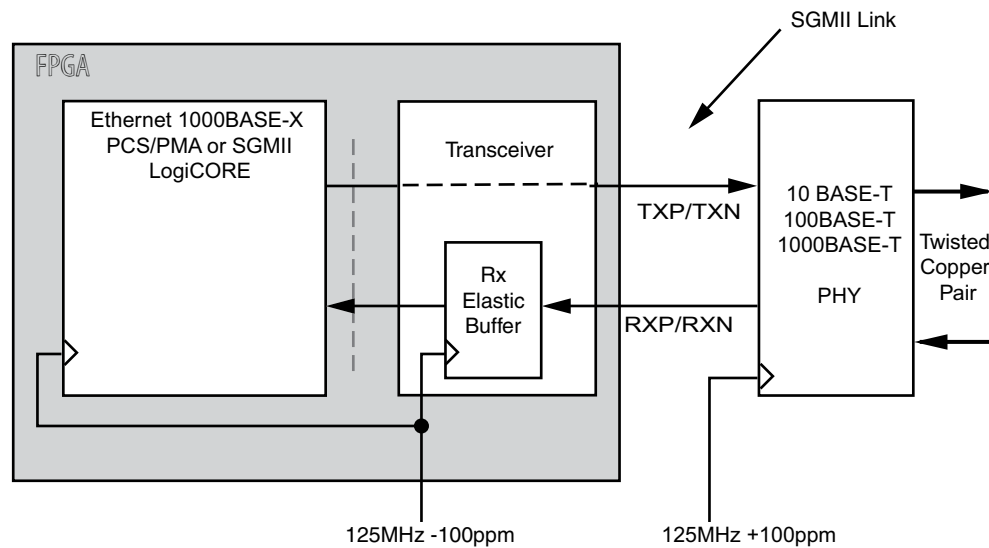


Figure 6-1: SGMII Implementation using Separate Clock Sources

Assuming separate clock sources, each of tolerance 100 ppm, the maximum frequency difference between the two devices can be 200 ppm. It can be shown that this translates into a full clock period difference every 5000 clock periods.

Relating this to an Ethernet frame, there is a single byte of difference for every 5000 bytes of received frame data, which causes the Rx Elastic Buffer to either fill or empty by an occupancy of one.

The maximum Ethernet frame size (non-jumbo) is 1522 bytes for a Virtual Local Area Network (VLAN) frame.

- At 1 Gb/s operation, this translates into 1522 clock cycles.
- At 100 Mb/s operation, this translates into 15220 clock cycles (as each byte is repeated 10 times).
- At 10 Mb/s operation, this translates into 152200 clock cycles (as each byte is repeated 100 times).

Considering the 10 Mb/s case, you need $152200/5000 = 31$ FIFO entries in the Elastic Buffer above and below the half way point to guarantee that the buffer does not under or overflow during frame reception. This assumes that frame reception begins when the buffer is exactly half full.

The size of the Rx Elastic Buffer in the device-specific transceivers is 64 entries. However, you cannot assume that the buffer is exactly half full at the start of frame reception. Additionally, the underflow and overflow thresholds are not exact (see [Appendix D, Rx Elastic Buffer Specifications](#) for more information).

To guarantee reliable SGMII operation at 10 Mb/s (non-jumbo frames), the device-specific transceiver Elastic Buffer must be bypassed and a larger buffer implemented in the FPGA logic. The FPGA logic buffer, provided by the example design, is twice the size of the device-specific transceiver alternative. This has been proven to cope with standard (none jumbo) Ethernet frames at all three SGMII speeds.

[Appendix D, Rx Elastic Buffer Specifications](#) provides further information about all Rx Elastic Buffers used by the core. Information about the reception of jumbo frames is also provided.

The Transceiver Rx Elastic Buffer

The Elastic Buffer in the device-specific transceiver can be used reliably when the following conditions are met:

- 10 Mb/s operation is not required. Both 1 Gb/s and 100 Mb/s operation can be guaranteed.
- When the clocks are closely related (see the following section).

If there is any doubt, select the FPGA logic Rx Elastic Buffer Implementation.

Closely Related Clock Sources

Case 1

Figure 6-2 illustrates a simplified diagram of a common situation where the core, in SGMII mode, is interfaced to an external PHY device. A common oscillator source is used for both the FPGA and the external PHY.

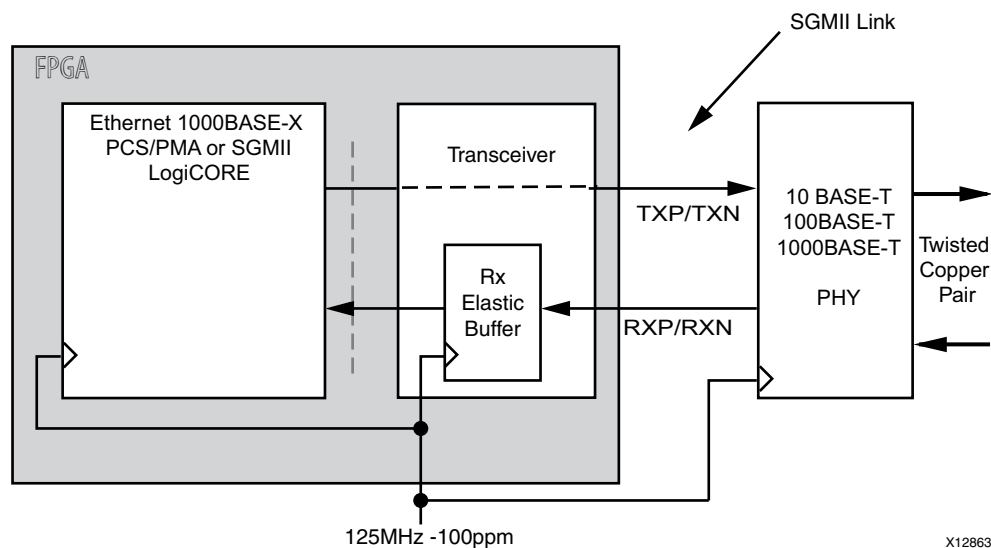


Figure 6-2: SGMII Implementation using Shared Clock Sources

If the PHY device sources the receiver SGMII stream synchronously from the shared oscillator (check PHY data sheet), the device-specific transceiver receives data at exactly the same rate as that used by the core. The receiver elastic buffer neither empties nor fills, having the same frequency clock on either side.

In this situation, the receiver elastic buffer does not under or overflow, and the elastic buffer implementation in the device-specific transceiver should be used to save logic resources.

Case 2

Consider again the case illustrated in [Figure 6-1](#) with the following exception; assume that the clock sources used are both 50 ppm. Now the maximum frequency difference between the two devices is 100 ppm. It can be shown that this translates into a full clock period difference every 10000 clock periods, resulting in a requirement for 16 FIFO entries above and below the half-full point. This provides reliable operation with the device-specific transceiver Rx Elastic Buffers. Again, however, check the PHY data sheet to ensure that the PHY device sources the receiver SGMII stream synchronously to its reference oscillator.

Logic Using the Transceiver Rx Elastic Buffer

When the device-specific transceiver Rx Elastic Buffer implementation is selected, the connections between the core and the device-specific transceiver as well as all clock circuitry in the system are identical to the 1000BASE-X implementation. For a detailed explanation, see the following sections in [Chapter 5, 1000BASE-X with Transceivers](#).

- [Transceiver Logic](#)
- [Clock Sharing Across Multiple Cores with Transceivers](#)

Transceiver Logic with the FPGA Logic Rx Elastic Buffer

The example design delivered with the core is split between two hierarchical layers, as illustrated in [Figure 6-10](#). The block level is designed so to be instantiated directly into customer designs and provides the following functionality:

- Instantiates the core from HDL
- Connects the physical-side interface of the core to a Kintex Ultrascale, Virtex-7, Kintex-7, Artix-7 or Zynq-7000 device transceiver through the FPGA logic Rx Elastic Buffer

The logic implemented in the block level is illustrated in all figures throughout the remainder of this chapter.

Note: The optional Transceiver Control and Status ports are not shown here. These ports have been brought up to the <component_name> module level

Virtex-7 Devices for SGMII or Dynamic Standards Switching

The core is designed to integrate with the 7 series FPGA transceiver. The connections and logic required between the core and GTX/GTH transceiver are illustrated in [Figure 6-3](#); the signal names and logic in the figure precisely match those delivered with the example design when a GTX/GTH transceiver is used.

The 125 MHz differential reference clock is routed directly to the GTX/GTH transceiver. The GTX/GTH transceiver is configured to output 62.5 MHz clock on the `txoutclk` port; this is then routed to an MMCM.

From the MMCM, the `clkout0` port (125 MHz) is placed onto global clock routing and can be used as the 125 MHz clock source for all core logic.

From the MMCM, the `clkout1` port (62.5 MHz) is placed onto global clock routing and is input back into the GTX/GTH transceiver on the user interface clock port `txusrclk` and `txusrclk2`. The clocking logic is included in a separate module `<component_name>_clocking` which is instantiated in the `<component_name>_support` module.

It can be seen from [Figure 6-3](#) that the Rx Elastic Buffer is implemented in the FPGA logic between the GTX transceiver and the core; this replaces the Rx Elastic Buffer in the GTX/GTH transceiver.

This alternative Receiver Elastic Buffer uses a single block RAM to create a buffer twice as large as the one present in the GTX/GTH transceiver. It is able to cope with larger frame sizes before clock tolerances accumulate and result in emptying or filling of the buffer. This is necessary to guarantee SGMII operation at 10 Mb/s where each frame size is effectively 100 times larger than the same frame would be at 1 Gb/s because each byte is repeated 100 times (see [Chapter 8, Using the Encrypted Core Level Client-Side GMII for the SGMII Standard](#)).

With this FPGA logic Rx Elastic Buffer implementation, data is clocked out of the GTX transceiver synchronously to `rxoutclk`. This clock can be placed on a BUFMR followed by a BUFR component and is used to synchronize the transfer of data between the GTX transceiver and the Elastic Buffer, as illustrated in [Figure 6-3](#).

The two wrapper files immediately around the GTX/GTH transceiver, `gtwizard_gt` and `gtwizard` (see [Figure 6-3](#)), are generated from the 7 series FPGA Transceiver Wizard. These files apply all the gigabit Ethernet attributes. Consequently, these files can be regenerated by customers and therefore be easily targeted at silicon/device versions.

This file can be used as an input to the Vivado IDE by clicking on **Add Sources** in the Flow Navigator task bar and selecting the XCI file. For further information, see the *7 Series FPGAs GTX/GTH Transceivers User Guide (UG476)* [Ref 7].

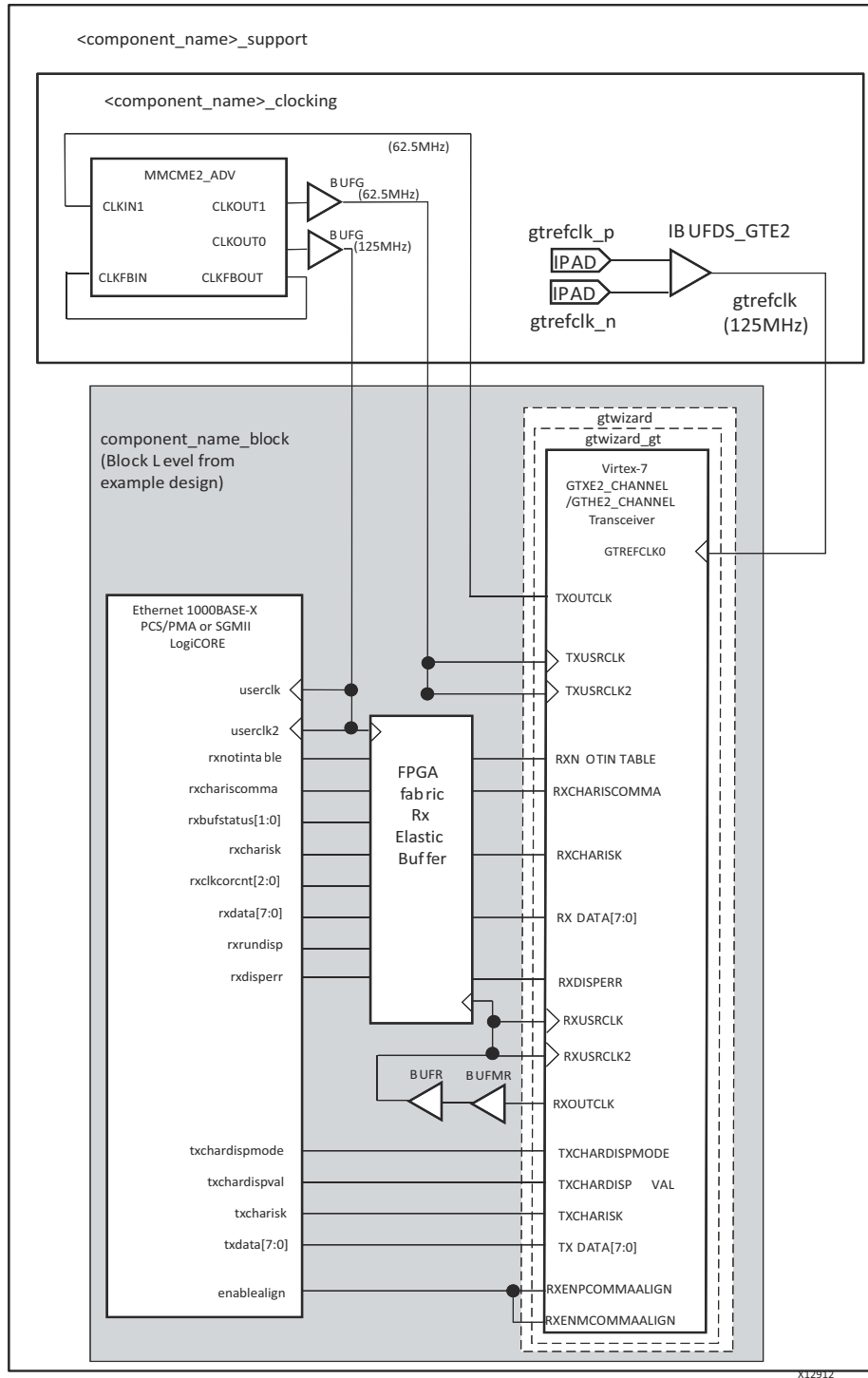


Figure 6-3: SGMII Connection to a Virtex-7 FPGA Transceiver

Kintex-7 and Zynq-7000 Devices for SGMII or Dynamic Standards Switching

The core is designed to integrate with the 7 series FPGA transceiver. The connections and logic required between the core and GTX transceiver are illustrated in [Figure 6-4](#); the signal names and logic in the figure precisely match those delivered with the example design when a GTX transceiver is used.

The 125 MHz differential reference clock is routed directly to the GTX transceiver. The GTX transceiver is configured to output 62.5 MHz clock on the `txoutclk` port; this is then routed to an MMCM through a BUFG (global clock routing).

From the MMCM, the `clkout0` port (125 MHz) is placed onto global clock routing and can be used as the 125 MHz clock source for all core logic.

From the MMCM, the `clkout1` port (62.5 MHz) is placed onto global clock routing and is input back into the GTX transceiver on the user interface clock port `txusrclk` and `txusrclk2`. The clocking logic is included in a separate module `<component_name>_clocking` which is instantiated in the `<component_name>_support` module.

It can be seen from [Figure 6-4](#) that the Rx Elastic Buffer is implemented in the FPGA logic between the GTX transceiver and the core; this replaces the Rx Elastic Buffer in the GTX transceiver.

This alternative Receiver Elastic Buffer uses a single block RAM to create a buffer twice as large as the one present in the GTX transceiver. It is able to cope with larger frame sizes before clock tolerances accumulate and result in emptying or filling of the buffer. This is necessary to guarantee SGMII operation at 10 Mb/s where each frame size is effectively 100 times larger than the same frame would be at 1 Gb/s because each byte is repeated 100 times (see [Chapter 8, Using the Encrypted Core Level Client-Side GMII for the SGMII Standard](#)).

With this FPGA logic Rx Elastic Buffer implementation, data is clocked out of the GTX transceiver synchronously to `rxoutclk`. This clock can be placed on a BUFG component and is used to synchronize the transfer of data between the GTX transceiver and the Elastic Buffer, as illustrated in [Figure 6-4](#).

The two wrapper files immediately around the GTX transceiver, `gtwizard_gt` and `gtwizard` ([Figure 6-4](#)), are generated from the 7 series FPGA Transceiver Wizard. These files apply all the gigabit Ethernet attributes. Consequently, these files can be regenerated by customers and therefore be easily targeted at silicon/device versions.

The XCI file can be used as an input to the Vivado IDE by clicking on **Add Sources** in the Flow Navigator task bar. The XCI file itself contains a list of all of the wizard attributes which were used. For further information, see the *7 Series FPGAs GTX/GTH Transceivers User Guide* (UG476) [[Ref 7](#)].

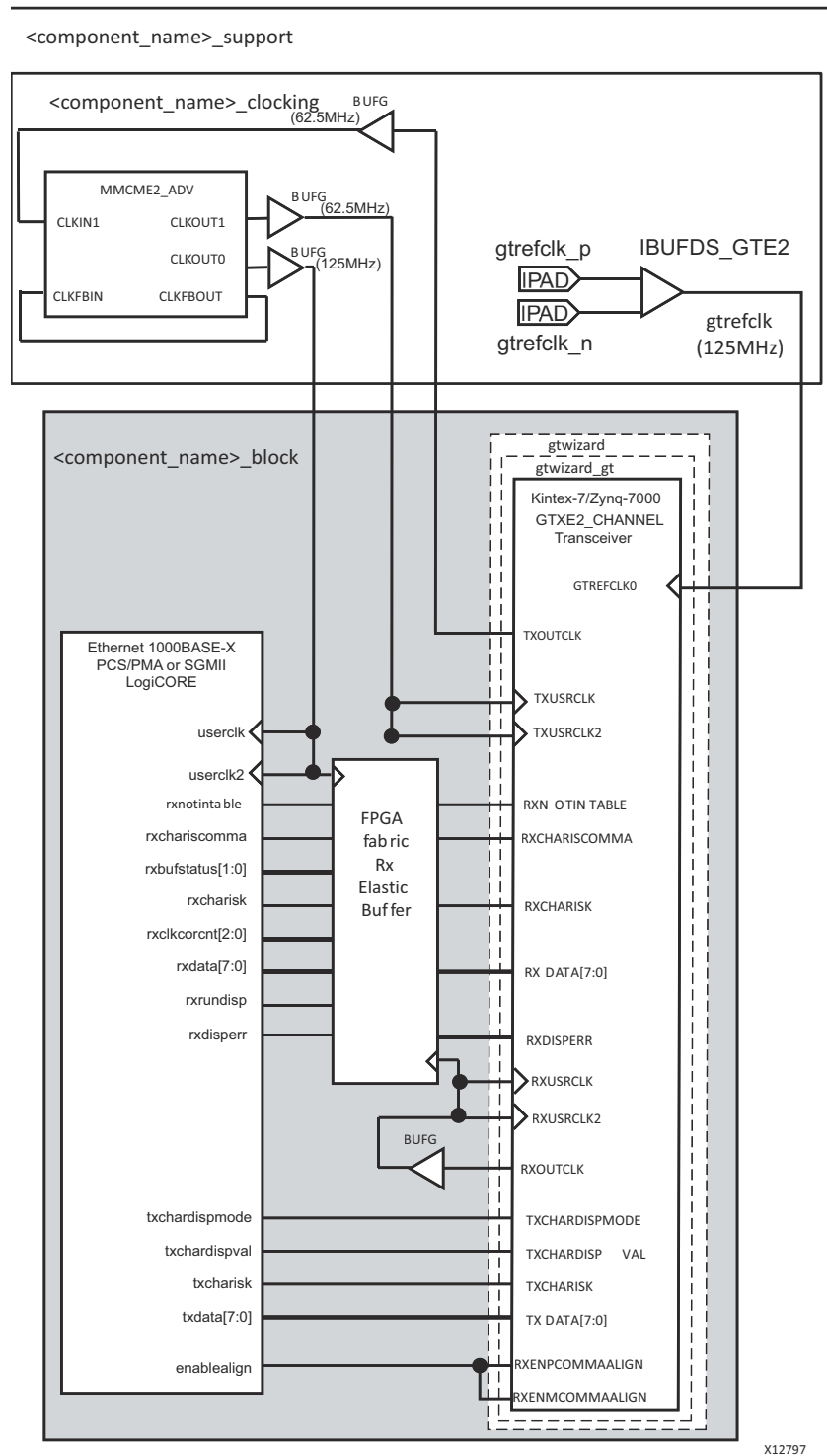


Figure 6-4: SGMII Connection to a Kintex-7 or Zynq-7000 Device Transceiver

Artix-7 Devices for SGMII or Dynamic Standards Switching

The core is designed to integrate with the 7 series FPGA transceiver. The connections and logic required between the core and GTP transceiver are illustrated in [Figure 6-5](#). The signal names and logic in the figure match those delivered with the example design when a GTP transceiver is used.

The 125 MHz differential reference clock is routed directly to the GTP transceiver. The GTP transceiver is configured to output 62.5 MHz clock on the `txoutclk` port. This clock is then routed to an MMCM using a BUFG (global clock routing).

From the MMCM, the `clkout0` port (125 MHz) is placed onto global clock routing and can be used as the 125 MHz clock source for all core logic. From the MMCM, the `clkout1` port (62.5 MHz) is placed onto global clock routing and is input back into the GTP transceiver on the user interface clock port `txusrclk` and `txusrclk2`. The clocking logic is included in a separate module `<component_name>_clocking` which is instantiated in the `<component_name>_support` module. [Figure 6-5](#) shows that the Rx Elastic Buffer is implemented in the FPGA logic between the GTP transceiver and the core; this replaces the Rx Elastic Buffer in the GTP transceiver.

This alternative Receiver Elastic Buffer uses a single block RAM to create a buffer twice as large as the one present in the GTP transceiver. It is able to cope with larger frame sizes before clock tolerances accumulate and result in emptying or filling of the buffer. This is necessary to guarantee SGMII operation at 10 Mb/s where each frame size is effectively 100 times larger than the same frame would be at 1 Gb/s because each byte is repeated 100 times (see [Chapter 8, Using the Encrypted Core Level Client-Side GMII for the SGMII Standard](#)).

With this FPGA logic Rx Elastic Buffer implementation, data is clocked out of the GTP transceiver synchronously to `rxoutclk`. This clock can be placed on a BUFG component and is used to synchronize the transfer of data between the GTP transceiver and the Elastic Buffer, as illustrated in [Figure 6-5](#).

The two wrapper files immediately around the GTP transceiver, `gtwizard_gt` and `gtwizard` ([Figure 6-5](#)), are generated from the 7 series FPGA Transceiver Wizard. These files apply all the gigabit Ethernet attributes. Consequently, these files can be regenerated by customers and therefore be easily targeted at silicon/device versions.

The XCI file can be used as an input to a Vivado IDE by clicking on **Add Sources** in the Flow Navigator task bar and selecting the XCI file. The XCI file itself contains a list of all of the wizard attributes that were used. For further information, see the *7 Series FPGAs GTP Transceivers User Guide* (UG482) [[Ref 8](#)].

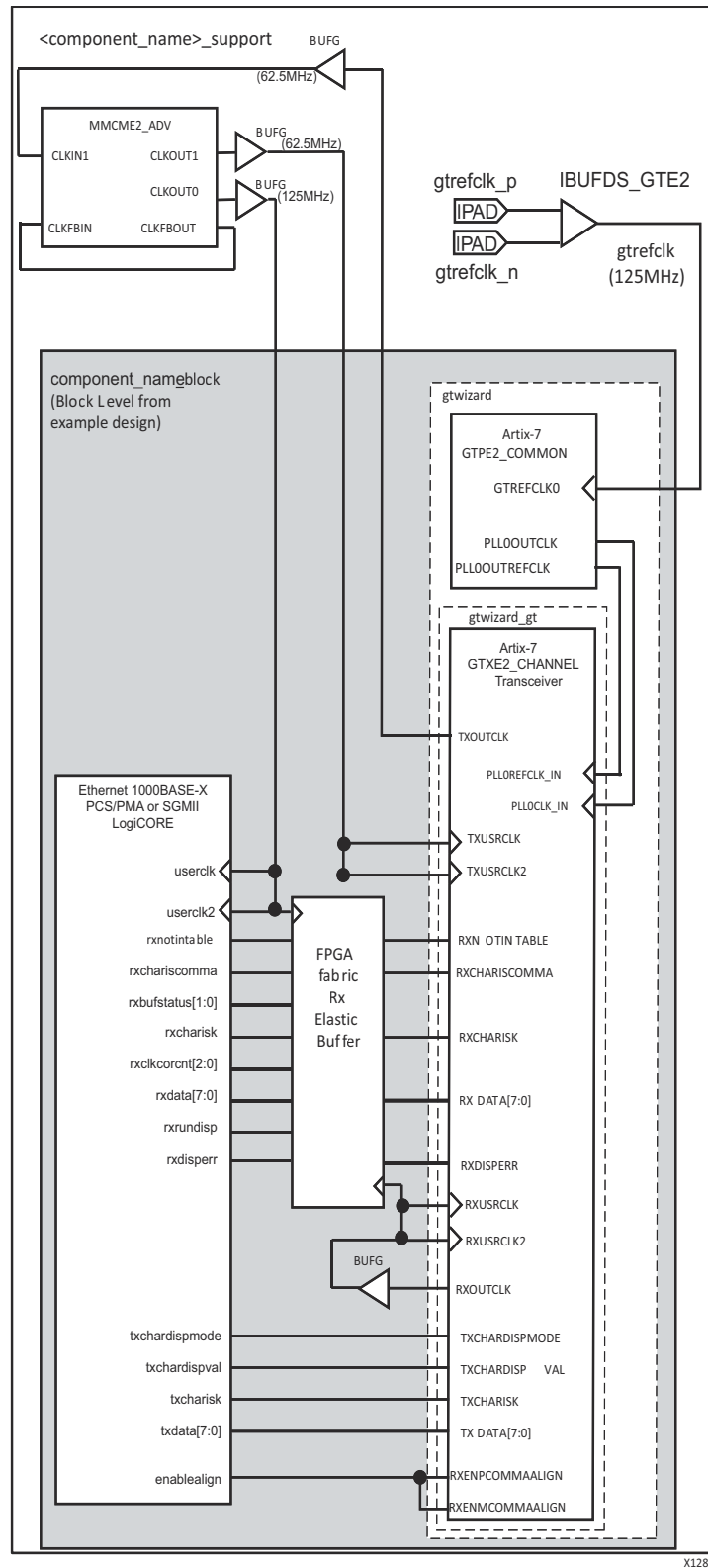


Figure 6-5: SGMII Connection to Artix-7 FPGA Transceiver

Clock Sharing - Multiple Cores with Transceivers and FPGA Logic Elastic Buffer

One instance of the core is generated with the **Include Shared Logic in Core** option. This instance contains all the clocking logic that can be shared. The remaining instances can be generated using the **Include Shared Logic in Example Design** option. This method of using the shared logic core is limited to a GT Quad.

The clocking logic for `rxoutclk` can only be shared if it is known that the transceiver and core pairs across `pcs-pma` instances are synchronous. In this case the receive clock outputs of clocking module can be used.

Virtex-7 Devices

Figure 6-7 illustrates sharing clock resources across multiple instantiations of the core when using the 7 series FPGA transceiver. More cores can be added by instantiating extra block level modules.

Share the `gtrefclk_p` and `gtrefclk_n` differential clock pairs. See the *7 Series FPGAs GTX/GTH Transceivers User Guide* (UG476) [Ref 7] for more information.

To provide the FPGA logic clocks for all core instances, select a `txoutclk` port from any GTX/GTH transceiver and route this to a single MMCM. The `clkout0` (125 MHz) and `clkout1` (62.5 MHz) outputs from this MMCM, placed onto global clock routing using BUFs, can be shared across all core instances and GTX/GTH transceivers as illustrated.

Each GTX/GTH transceiver and core pair instantiated has its own independent clock domains synchronous to `rxoutclk`. These are placed on BUFMR followed by regional clock routing using a BUFR, as illustrated in Figure 6-7, and cannot normally be shared across multiple GTX/GTH transceivers.

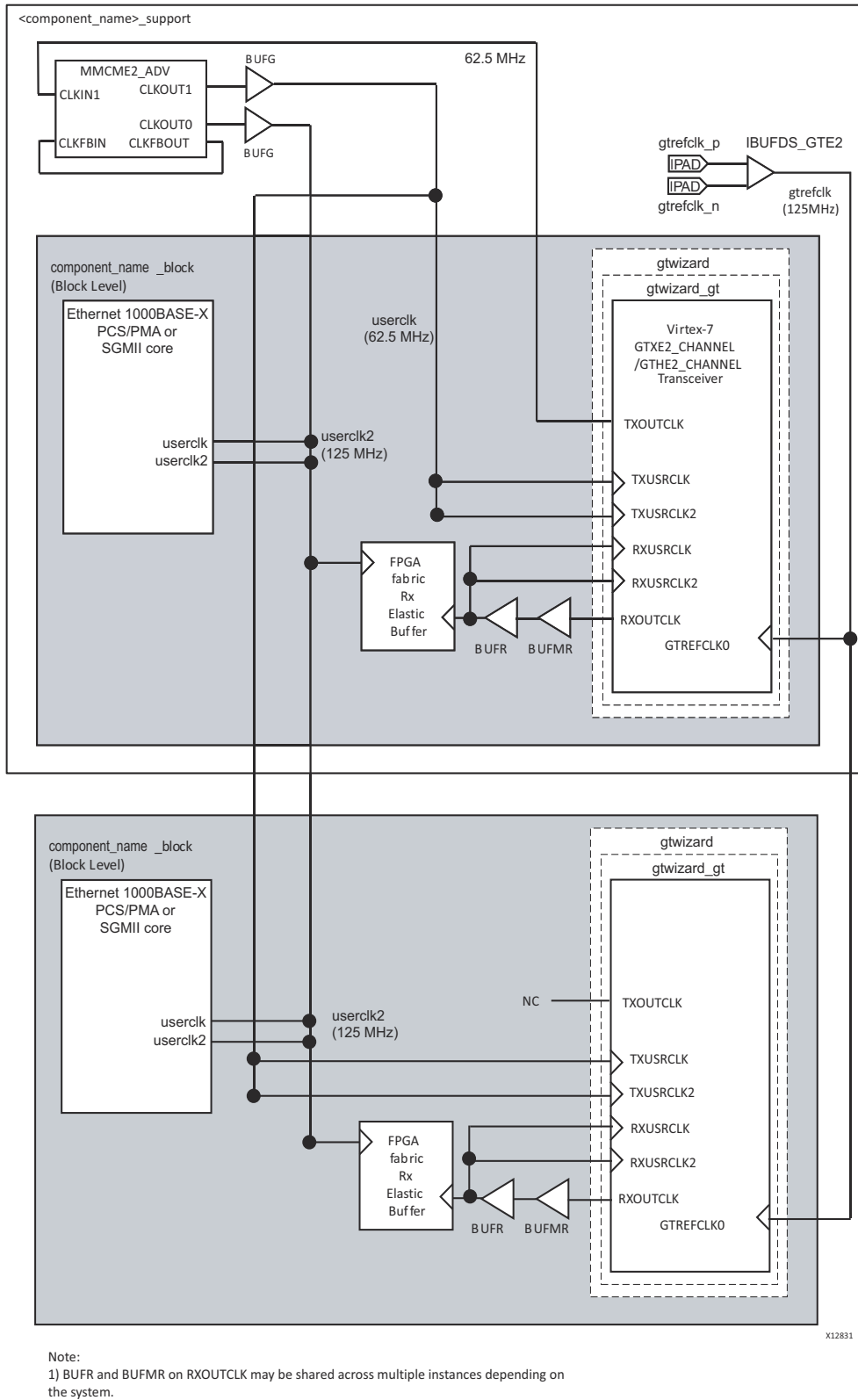


Figure 6-6: Clock Management with Multiple Core Instances with Virtex-7 FPGA Transceivers for SGMII

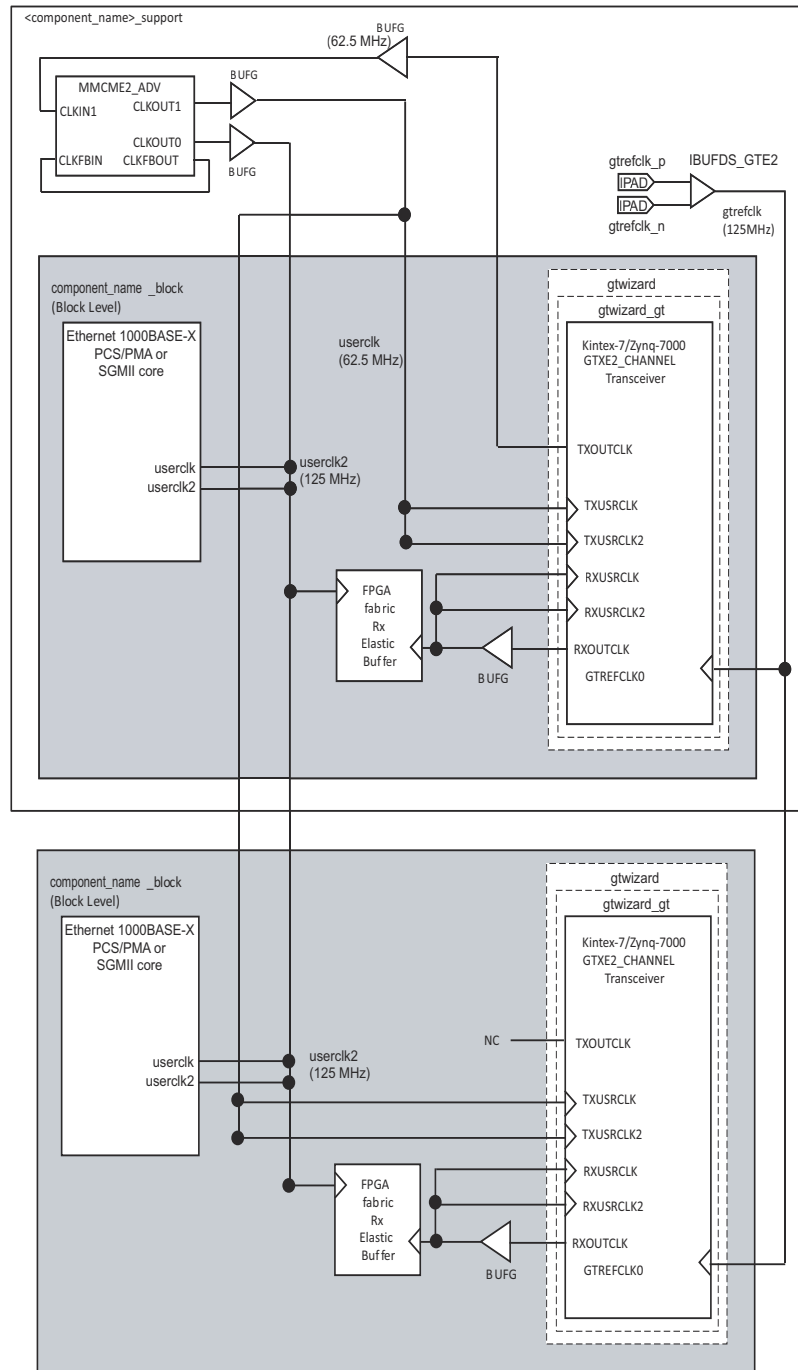
Kintex-7 and Zynq-7000 Devices

Figure 6-7 illustrates sharing clock resources across multiple instantiations of the core when using the 7 series FPGA GTX transceiver. More cores can be added by instantiating extra block level modules.

Share the `gtrefclk_p` and `gtrefclk_n` differential clock pairs. See the *7 Series FPGAs GTX/GTH Transceivers User Guide* (UG476) [Ref 7] for more information.

To provide the FPGA logic clocks for all core instances, select a `txoutclk` port from any GTX transceiver and route this to a single MMCM through a BUFG (global clock routing). The `clkout0` (125 MHz) and `clkout1` (62.5 MHz) outputs from this MMCM, placed onto global clock routing using BUFGs, can be shared across all core instances and GTX transceivers as illustrated.

Each GTX transceiver and core pair instantiated has its own independent clock domains synchronous to `rxoutclk`. These are placed on global clock routing using a BUFG, as illustrated in Figure 6-7, and cannot normally be shared across multiple GTX transceivers.



Note:

- 1) BUFG on RXOUTCLK may be shared across multiple instances depending on the system.

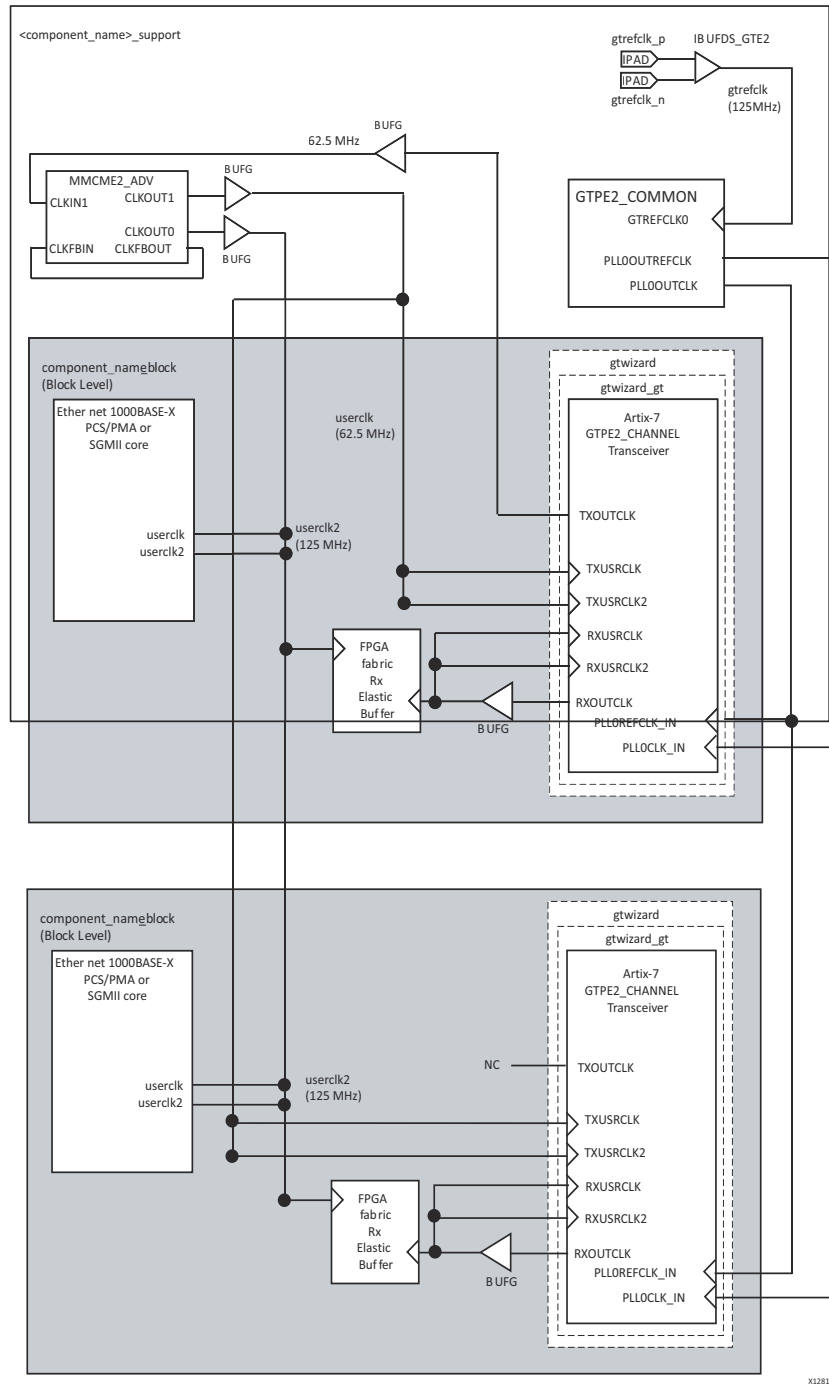
Figure 6-7: Clock Management with Multiple Core Instances with Kintex-7 or Zynq-7000 Device Transceivers for SGMII

Artix-7 Devices

Figure 6-8 illustrates sharing clock resources across multiple instantiations of the core when using the 7 series FPGA GTP transceiver. More cores can be added by instantiating extra block level modules and sharing the `gtrefclk_p` and `gtrefclk_n` differential clock pairs. See the *7 Series FPGAs GTP Transceivers User Guide* (UG482) [Ref 8] for more information.

To provide the FPGA logic clocks for all core instances, select a `txoutclk` port from any GTP transceiver and route this to a single MMCM through a BUFG (global clock routing). The `clkout0` (125 MHz) and `clkout1` (62.5 MHz) outputs from this MMCM, placed onto global clock routing using BUFGs, can be shared across all core instances and GTP transceivers as illustrated.

Each GTP transceiver and core pair instantiated has its own independent clock domains synchronous to `rxoutclk`. These are placed on global clock routing using a BUFG, as illustrated in Figure 6-8, and cannot normally be shared across multiple GTP transceivers.



Note:
 1) BUFG on RXOUTCLK may be shared across multiple instances depending on the system.

Figure 6-8: Clock Management with Multiple Core Instances with Artix-7 FPGA Transceivers for SGMII

SGMII Example Design / Dynamic Switching Example Design Using a Transceiver

Chapter 17, [Detailed Example Design](#) provides a full list and description of the directory and file structure that is provided with the core, including the location of the HDL example design provided.

Figure 6-9 illustrates an example design for top-level HDL for the Ethernet 1000BASE-X PCS/PMA or SGMII in SGMII (or dynamic standards switching) mode using a device-specific transceiver (Kintex Ultrascale, Virtex-7, Kintex-7, Artix-7 or Zynq-7000).

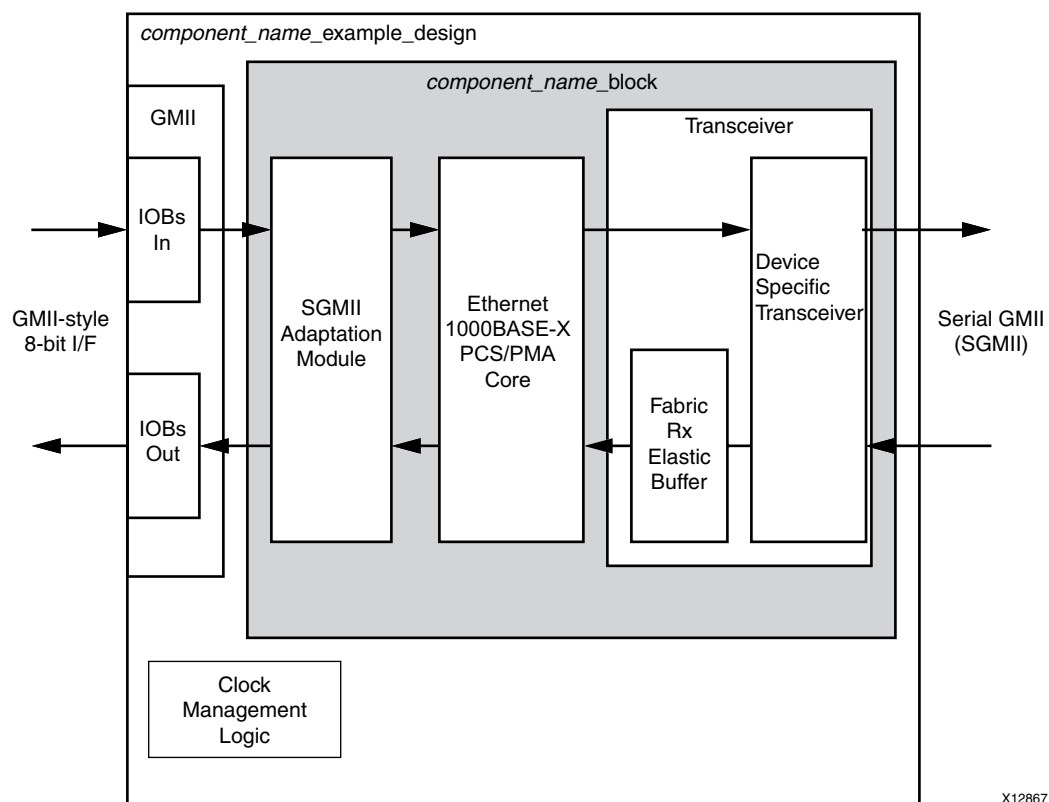


Figure 6-9: Example Design HDL for the Ethernet 1000BASE-X PCS/PMA or SGMII Core in SGMII Mode Using a Device-Specific Transceiver

As illustrated, the example is split between two hierarchical layers. The block level is designed so that it can be instantiated directly into customer designs and performs the following functions:

- Instantiates the core from the block level from HDL in case the shared logic in the core is selected, otherwise support level.
- Connects the physical-side interface of the core to a device-specific transceiver

- Connects the client side GMII of the core to an SGMII Adaptation Module, which provides the functionality to operate at speeds of 1 Gb/s, 100 Mb/s and 10 Mb/s

The top level of the example design creates a specific example which can be simulated, synthesized and implemented. The top level of the example design performs the following functions:

- Instantiates the block level from the block level from HDL in case the shared logic in the core is selected, otherwise support level.
- Derives the clock management logic for device-specific transceiver and the core
- Implements an external GMII-style interface

The next few pages in this section describe each of the example design blocks (and associated HDL files) in detail, and conclude with an overview of the demonstration test bench provided for the design. The example design can be opened in a separate project by generating the **Examples** output product, then right clicking the core instance and choosing **Open IP Example Design...**

Top-Level Example Design HDL

The top-level example design for the Ethernet 1000BASE-X PCS/PMA core in SGMII mode is described in the following files:

VHDL

```
<project_dir>/<project_name>/<project_name>.srcs/sources1/ip/<component_name>/  
example_design/<component_name>_example_design.vhd
```

Verilog

```
<project_dir>/<project_name>/<project_name>.srcs/sources1/ip/<component_name>/  
example_design/<component_name>_example_design.v
```

The example design HDL top level contains the following:

- An instance of the SGMII block level in case shared logic in the core is selected, otherwise support level.
- Clock management logic for the core and the device-specific transceiver, including DCM (if required) and Global Clock Buffer instances
- External GMII logic, including IOB and DDR register instances, where required

The example design HDL top level connects the GMII of the block level to external IOBs. This allows the functionality of the core to be demonstrated using a simulation package, as described in this guide.

Support Level HDL

The following files describe the block level for the 1000Base-X/SGMII PCS/PMA core. The files can be found in /synth directory if shared logic in core is selected or /example_design/support if shared logic in example design is selected.

VHDL

```
/synth/<component_name>_support.vhd or  
/example_design/support/<component_name>_support.vhd
```

Verilog

```
/synth/<component_name>_support.v or  
/example_design/support/<component_name>_support.v
```

<component_name>_support module instantiates idelayctrl, clocking and reset modules.

VHDL

```
/synth/<component_name>_idelayctrl.vhd or  
/example_design/support/<component_name>_idelayctrl.vhd
```

```
/synth/<component_name>_clocking.vhd or  
/example_design/support/<component_name>_clocking.vhd
```

```
/synth/<component_name>_resets.vhd or  
/example_design/support/<component_name>_resets.vhd
```

Verilog

```
/synth/<component_name>_idelayctrl.v or  
/example_design/support/<component_name>_idelayctrl.v
```

```
/synth/<component_name>_clocking.v or  
/example_design/support/<component_name>_clocking.v
```

```
/synth/<component_name>_resets.v or  
/example_design/support/<component_name>_resets.v
```

Block Level HDL

The following files describe the block level for the Ethernet 1000BASE-X PCS/PMA core in SGMII mode:

VHDL

```
<project_dir>/<project_name>/<project_name>.srcs/sources1/ip/<component_name>/  
synth/<component_name>_block.vhd
```

Verilog

```
<project_dir>/<project_name>/<project_name>.srcs/sources1/ip/<component_name>/  
synth/<component_name>_block.v
```

The block level contains the following:

- An instance of the Ethernet 1000BASE-X PCS/PMA core in SGMII mode.
- An instance of a transceiver specific to the target device (Kintex Ultrascale, Virtex-7, Kintex-7, Artix-7 or Zynq-7000)
- An SGMII adaptation module containing:
 - The clock management logic required to enable the SGMII example design to operate at 10 Mb/s, 100 Mb/s, and 1 Gb/s.
 - GMII logic for both transmitter and receiver paths; the GMII style 8-bit interface is run at 125 MHz for 1 Gb/s operation; 12.5 MHz for 100 Mb/s operation; 1.25 MHz for 10 Mb/s operation.

The block-level HDL connects the PHY side interface of the core to a device-specific transceiver instance and the client side to SGMII Adaptation logic as illustrated in [Figure 6-9](#). This is the most useful part of the example design and should be instantiated in all customer designs that use the core.

Transceiver Files for Zynq-7000, Virtex-7, Kintex-7, and Artix-7 Devices

Transceiver Wrapper

This device-specific transceiver wrapper is instantiated from the block-level HDL file of the example design and is described in the following files:

VHDL

```
<project_dir>/<project_name>/<project_name>.srcs/sources1/ip/<component_name>/  
synth/transceiver/<component_name>_transceiver.vhd
```

Verilog

```
<project_dir>/<project_name>/<project_name>.srcs/sources1/ip/<component_name>/
synth/transceiver/<component_name>_transceiver.v
```

This file instances output source files from the transceiver wizard (used with Gigabit Ethernet 1000BASE-X attributes).

Zynq-7000, Virtex-7, Kintex-7, and Artix-7 Device Transceiver Wizard Files

For Zynq-7000, Virtex-7, Kintex-7, and Artix-7 devices, the transceiver wrapper file directly instantiates device-specific transceiver wrapper files created from the serial transceiver wizard. These files tie off (or leave unconnected) unused I/O for the transceiver, and apply the 1000BASE-X attributes. The files can be edited/tailored by rerunning the wizard and swapping these files. The files delivered can include some or all of the following:

VHDL

```
<project_dir>/<project_name>/<project_name>.srcs/sources1/ip/<component_name>/
synth/transceiver/<component_name>_gtwizard_init.vhd
<project_dir>/<project_name>/<project_name>.srcs/sources1/ip/<component_name>/
synth/transceiver/<component_name>_tx_startup_fsm.vhd
<project_dir>/<project_name>/<project_name>.srcs/sources1/ip/<component_name>/
synth/transceiver/<component_name>_rx_startup_fsm.vhd
<project_dir>/<project_name>/<project_name>.srcs/sources1/ip/<component_name>/synth
/transceiver/<component_name>_gtwizard_gtrxreset_seq.vhd
<project_dir>/<project_name>/<project_name>.srcs/sources1/ip/<component_name>/synth
/transceiver/<component_name>_gtwizard_multi_gt.vhd
<project_dir>/<project_name>/<project_name>.srcs/sources1/ip/<component_name>/
synth/transceiver/<component_name>_gtwizard.vhd
<project_dir>/<project_name>/<project_name>.srcs/sources1/ip/<component_name>/
synth/transceiver/<component_name>_gtwizard_gt.vhd
<project_dir>/<project_name>/<project_name>.srcs/sources1/ip/<component_name>/
synth/transceiver/<component_name>_gtwizard_gtp_rxpmrst_seq.vhd
<project_dir>/<project_name>/<project_name>.srcs/sources1/ip/<component_name>/
synth/transceiver/<component_name>_gtwizard_gtp_rxrst_seq.vhd
```

Verilog

```
<project_dir>/<project_name>/<project_name>.srcs/sources1/ip/<component_name>/
synth/transceiver/<component_name>_gtwizard_init.v
<project_dir>/<project_name>/<project_name>.srcs/sources1/ip/<component_name>/
synth/transceiver/<component_name>_tx_startup_fsm.v
<project_dir>/<project_name>/<project_name>.srcs/sources1/ip/<component_name>/
synth/transceiver/<component_name>_rx_startup_fsm.v
<project_dir>/<project_name>/<project_name>.srcs/sources1/ip/<component_name>/synth
/transceiver/<component_name>_gtwizard_gtrxreset_seq.v
<project_dir>/<project_name>/<project_name>.srcs/sources1/ip/<component_name>/synth
/transceiver/<component_name>_gtwizard_multi_gt.v
<project_dir>/<project_name>/<project_name>.srcs/sources1/ip/<component_name>/
synth/transceiver/<component_name>_gtwizard.v
```

```

<project_dir>/<project_name>/<project_name>.srcs/sources1/ip/<component_name>/
synth/transceiver/<component_name>_gtwizard_gt.v
<project_dir>/<project_name>/<project_name>.srcs/sources1/ip/<component_name>/
synth/transceiver/<component_name>_gtwizard_gtp_rxpmarst_seq_vhd.v
<project_dir>/<project_name>/<project_name>.srcs/sources1/ip/<component_name>/
synth/transceiver/<component_name>_gtwizard_gtp_rxr_rate_seq.v

```

The XCI file can be used as an input to the Vivado IDE by clicking on **Add Sources** in the Flow Navigator task bar and selecting the XCI file.

Receiver Elastic Buffer

The Receiver Elastic Buffer if present (see [Receiver Elastic Buffer Implementations](#)) is described in the following files:

VHDL

```

<project_dir>/<project_name>/<project_name>.srcs/sources1/ip/<component_name>/
synth/transceiver/<component_name>_rx_elastic_buffer.vhd

```

Verilog

```

<project_dir>/<project_name>/<project_name>.srcs/sources1/ip/<component_name>/synth
/transceiver/<component_name>_rx_elastic_buffer.v

```

In SGMII or Dynamic Switching modes, the Rx Buffer in the device-specific transceiver is optionally bypassed. If bypassed, a larger buffer is implemented in the FPGA logic and instantiated from within the transceiver wrapper.

This alternative Receiver Elastic Buffer uses a single block RAM to create a buffer twice as large as the one present in the device-specific transceiver, which is able to cope with larger frame sizes before clock tolerances accumulate and result in an emptying or filling of the buffer.

SGMII Adaptation Module

The SGMII Adaptation Module is described in the following files:

VHDL

```

<project_dir>/<project_name>/<project_name>.srcs/sources1/ip/<component_name>/
<component_name>/synth/sgmii_adapt/
<component_name>sgmii_adapt.vhd
<component_name>clk_gen.vhd
<component_name>johnson_cntr.vhd
<component_name>tx_rate_adapt.vhd
<component_name>rx_rate_adapt.vhd

```

Verilog


```
<project_dir>/<project_name>/<project_name>.srcs/sources1/ip/<component_name>/  
<component_name>/synth/sgmii_adapt/  
<component_name>sgmii_adapt.v  
<component_name>clk_gen.v  
<component_name>johnson_cntr.v  
<component_name>tx_rate_adapt.v  
<component_name>rx_rate_adapt.v
```

The GMII of the core always operates at 125 MHz. The core makes no differentiation between the three speeds of operation; it always effectively operates at 1 Gb/s. However, at 100 Mb/s, every data byte run through the core should be repeated 10 times to achieve the required bit rate; at 10 Mb/s, each data byte run through the core should be repeated 100 times to achieve the required bit rate. Dealing with this repetition of bytes is the function of the SGMII adaptation module and its component blocks.

The SGMII adaptation module and component blocks are described in detail in the [Chapter 8, Additional Client-Side SGMII Logic](#).

Demonstration Test Bench

Figure 6-10 illustrates the demonstration test bench for the Ethernet 1000BASE-X PCS/PMA or SGMII core in SGMII mode. The demonstration test bench is a simple VHDL or Verilog program to exercise the example design and the core itself.

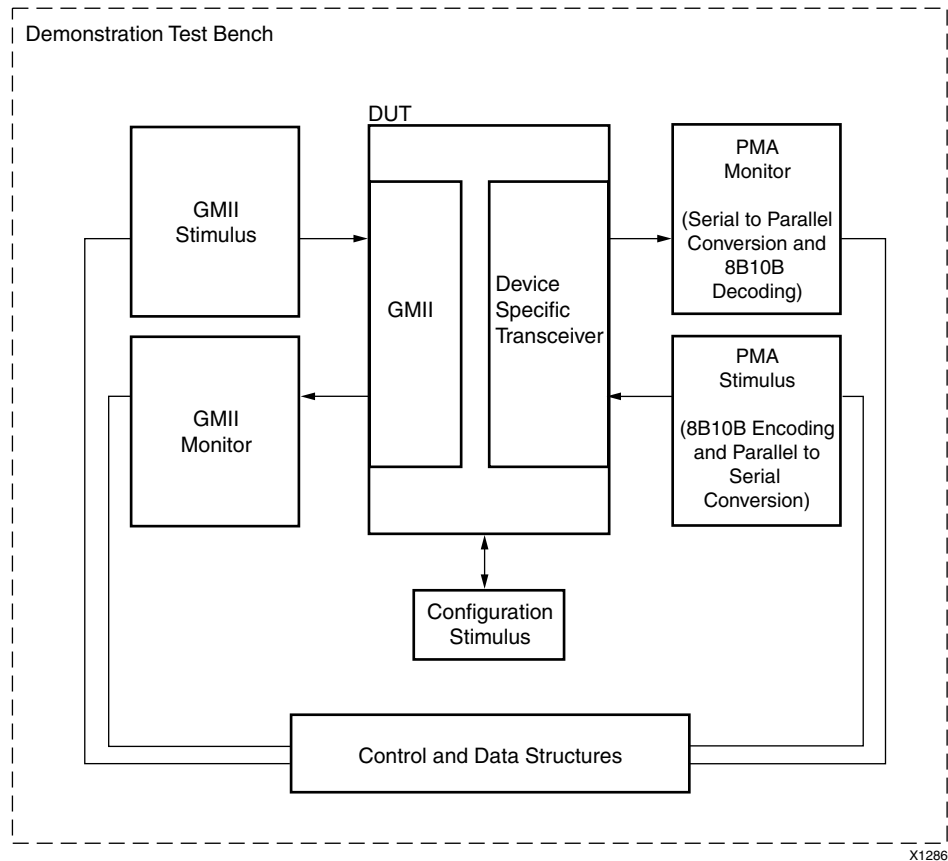


Figure 6-10: Demonstration Test Bench for the Ethernet 1000BASE-X PCS/PMA or SGMII Core in SGMII Mode Using Device-Specific Transceivers

The top-level test bench entity instantiates the example design for the core, which is the Device Under Test (DUT). A stimulus block is also instantiated and clocks, resets and test bench semaphores are created. The following files describe the top-level of the demonstration test bench.

VHDL

```
<project_dir>/<project_name>/<project_name>.srcs/sources1/ip/<component_name>/simulation/demo_tb.vhd
```

Verilog

```
<project_dir>/<project_name>/<project_name>.srcs/sources1/ip/<component_name>/simulation/demo_tb.v
```

The stimulus block entity, instantiated from within the top-level test bench, creates the Ethernet stimulus in the form of four Ethernet frames, which are injected into GMII and PHY interfaces of the DUT. The output from the DUT is also monitored for errors. The following files describe the stimulus block of the demonstration test bench.

VHDL

```
<project_dir>/<project_name>/<project_name>.srcs/sources1/ip/<component_name>/  
simulation/stimulus_tb.vhd
```

Verilog

```
<project_dir>/<project_name>/<project_name>.srcs/sources1/ip/<component_name>/  
simulation/stimulus_tb.v
```

Together, the top-level test bench file and the stimulus block combine to provide the full test bench functionality which is described in the sections that follow.

The demonstration test bench performs the following tasks:

- Input clock signals are generated.
- A reset is applied to the example design.
- The Ethernet 1000BASE-X PCS/PMA core is configured through the MDIO interface by injecting an MDIO frame into the example design. This disables Auto-Negotiation and takes the core out of Isolate state.
- The following frames are injected into the GMII transmitter by the GMII stimulus block at 1 Gb/s.
 - the first is a minimum length frame
 - the second is a type frame
 - the third is an errored frame
 - the fourth is a padded frame
- The serial data received at the device-specific transceiver transmitter interface is converted to 10-bit parallel data, then 8B/10B decoded. The resulting frames are checked by the PMA Monitor against the stimulus frames injected into the GMII transmitter to ensure data integrity.
- The same four frames are generated by the PMA Stimulus block. These are 8B/10B encoded, converted to serial data and injected into the device-specific transceiver receiver interface at 1 Gb/s.
- Data frames received at the GMII receiver are checked by the GMII Monitor against the stimulus frames injected into the device-specific transceiver receiver to ensure data integrity.

Customizing the Test Bench

Changing Frame Data

You can change the contents of the four frames used by the demonstration test bench by changing the *data* and *valid* fields for each frame defined in the stimulus block. New frames can be added by defining a new frame of data. Modified frames are automatically updated in both stimulus and monitor functions.

Changing Frame Error Status

Errors can be inserted into any of the predefined frames in any position by setting the *error* field to 1 in any column of that frame. Injected errors are automatically updated in both stimulus and monitor functions.

Changing the Core Configuration

The configuration of the Ethernet 1000BASE-X PCS/PMA core used in the demonstration test bench can be altered.



CAUTION! *Certain configurations of the core cause the test bench to fail or cause processes to run indefinitely. For example, the demonstration test bench does not auto-negotiate with the design example. Determine the configurations that can safely be used with the test bench.*

The core can be reconfigured by editing the injected MDIO frame in the demonstration test bench top level.

Changing the Operational Speed

SGMII can be used to carry Ethernet traffic at 10 Mb/s, 100 Mb/s or 1 Gb/s. By default, the demonstration test bench is configured to operate at 1 Gb/s. The speed of both the example design and test bench can be set to the desired operational speed by editing the following settings, recompiling the test bench, then running the simulation again.

1 Gb/s Operation

```
set speed_is_10_100 to logic 0
```

100 Mb/s Operation

```
set speed_is_10_100 to logic 1  
set speed_is_100 to logic 1
```

10 Mb/s Operation

```
set speed_is_10_100 to logic 1  
set speed_is_100 to logic 0
```

SGMII over LVDS

This chapter provides the general guidelines for creating SGMII interfaces using Zynq®-7000, Virtex®-7, Kintex®-7, and Artix®-7 devices.

This chapter provides general guidelines for creating synchronous SGMII designs using Zynq-7000, Virtex-7, Kintex-7, and Artix-7 device LVDS. Virtex-7 and Kintex-7 devices, -2 speed grade or higher on HR Banks and -1 or higher for HP Banks, can fully support SGMII using standard LVDS SelectIO™ technology logic resources. Artix-7 devices, -2 speed grade or higher, can fully support SGMII over standard LVDS SelectIO™ technology logic resources. Zynq-7000 devices, -2 speed grade or faster for XC7Z010/20 devices and -1 speed grade or faster for XC7Z030/45/100 devices, can fully support SGMII using standard LVDS SelectIO technology logic resources. This enables direct connection to external PHY devices without the use of an FPGA Transceiver. This implementation is illustrated in [Figure 7-1](#).

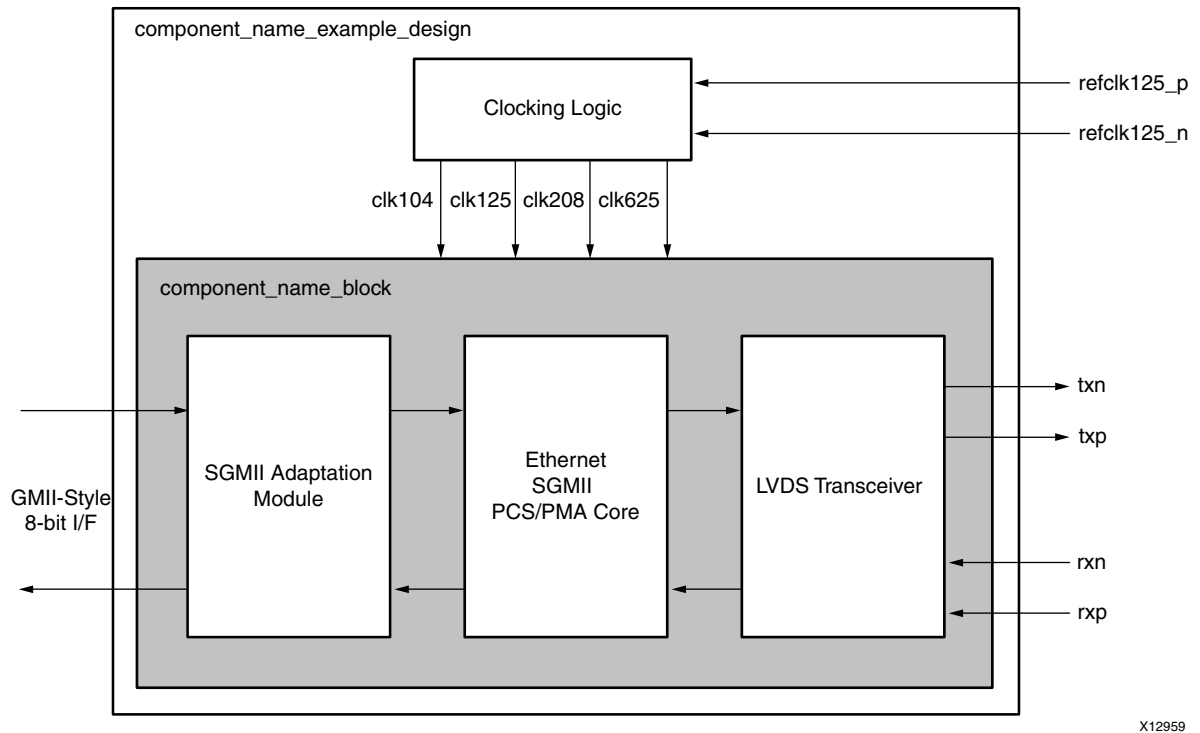
This section is organized into the following subsections:

- [Design Requirements](#) provides the prerequisites for the Synchronous SGMII solution.
- [Clocking Logic](#) discusses the clocking logic that is required for the synchronous SGMII LVDS design.
- [Layout and Placement](#) provides guidelines for performing FPGA layout to guide the tools through Place and Route (PAR) and to achieve timing success.
- [Example Design Implementation](#) describes the format of the example design provided, a description of all blocks of the example design, and describes how the design can be used to create your own custom implementation.

This section also contains an overview of the demonstration test bench that is provided with the example design.

Users of the core in this mode can benefit from a detailed understanding of 7 series FPGA Clocking Resources and SelectIO Resources.

See *7 Series FPGAs SelectIO Resources User Guide (UG471)* [Ref 2] and *7 Series FPGA Clocking Resources User Guide (UG472)* [Ref 9].



X12959

Figure 7-1: Example Design for Sync SGMII over LVDS solution for 7 Series Devices

Design Requirements

SGMII Only

The interface implemented using this method supports SGMII between the FPGA and an external PHY device; the interface cannot directly support 1000BASE-X.

Supported Devices

- Zynq-7000 devices, -2 speed grade or faster for XC7Z010/20 devices and -1 speed grade or faster for XC7Z030/45/100 devices
- Virtex-7 devices, -2 speed grade or faster for devices with HR Banks or -1 speed grade or faster for devices with HP banks
- Kintex-7 devices, -2 speed grade or faster for devices with HR Banks or -1 speed grade or faster for devices with HP banks
- Artix-7 devices, -2 speed grade or faster.

Timing closure of this interface is challenging; perform the steps described in [Layout and Placement](#).

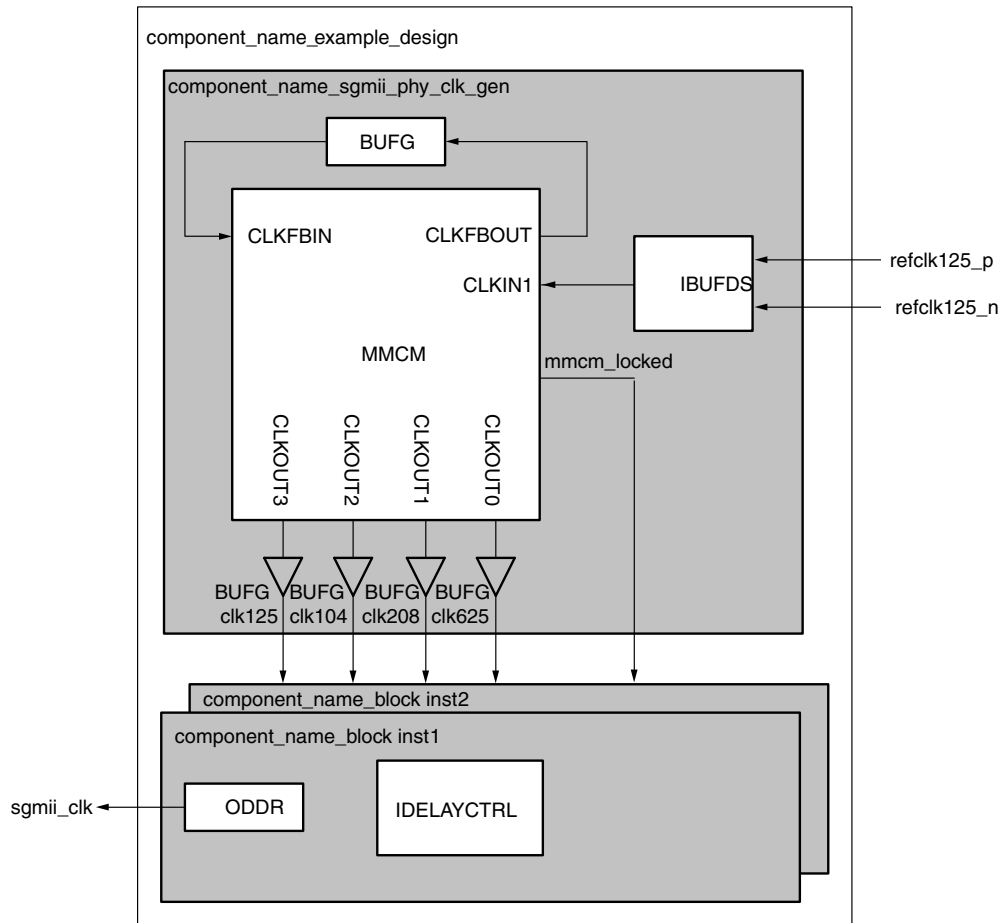
Clocking Logic

The SGMII LVDS solution is a synchronous implementation where an external clock is provided to the design. In the example design this clock is assumed to be a 125 MHz differential clock.

This 125 MHz differential clock is fed to IBUFDS and the output drives the input of MMCM. MMCM is used to generate multiple clocks of 208 MHz, 625 MHz, 125 MHz, and 104 MHz. The clocking logic is included in a separate module `<component_name>_clocking` which is instantiated in the `<component_name>_support` module.

The 208 MHz clock from MMCM is given to the IDELAYCTRL module which calibrates IDELAY and ODELAY using the user-supplied REFCLK. The system clock of 200 MHz can also be used as a clock input to IDELAYCTRL module instead of the 208 MHz MMCM output clock. See details about IDELAYCTRL in the *7 Series FPGAs SelectIO Resources User Guide* (UG471) [\[Ref 2\]](#).

Typical usage of synchronous LVDS solution involves multiple instances of LVDS solution with single clocking block. One instance of the core is generated with the **Include Shared Logic in Core** option. This instance contains all the clocking logic that can be shared. The remaining instances can be generated using the **Include Shared Logic in Example Design** option. [Figure 7-2](#) provides a detailed illustration of the clocking logic. [Table 7-1](#) provides the list of all the clocks in the design and their usage.



X13217

Figure 7-2: Synchronous LVDS Implementation Clocking Logic

Important notes relating to [Figure 7-2](#):

- The 125 MHz clock output from IBUFDS that is routed to the `clk_in1` pin of the MMCM should enter the FPGA on a global clock pin. This enables the clock signal to be routed to the device MMCM module using dedicated clock routing. The clock source should confirm to ethernet specifications (100 ppm of accuracy).
- [Figure 7-2](#) shows usage of 4 BUFGs. Instead a BUFIO can be used for the 625 MHz clock and BUFR for the other three MMCM clock outputs or BUFHs on all four MMCM clock outputs. IDELAYCTRL reference clock cannot be fed from the MMCM output with the BUFH.
- The [OSERDES](#) primitives used by the LVDS transceiver must use the BUFG 625 MHz clock source to provide the cleanest possible serial output. This necessitates that the Output Serializer/Deserializer (OSERDES) parallel clock (`clkdiv`) must be provided from a 208 MHz global clock buffer (BUFG) that is derived from the same MMCM. This requirement is used to satisfy the parallel to serial clock phase relationships within the [OSERDES](#) primitives.

See the *7 Series FPGAs SelectIO Resources User Guide (UG471)* [Ref 2] and *7 Series FPGA Clocking Resources User Guide (UG472)* [Ref 9].

- An IDELAY Controller module is provided in the Example Design module for use with the IDELAYs required on the receiver input serial path. This is provided with a 208 MHz clock source from MMCM. The 200 MHz system clock can also be used instead of the 208 MHz clock from MMCM.

Table 7-1 provides the list of all the clocks in the design and their usage.

Table 7-1: Design Clock Usage

Clock	Input/Generated/Output	Description
refclk125_p	Differential input clock.	Differential clock input to FPGA, synchronous to the incoming serial data.
refclk125_n	Differential input clock.	Differential clock input to FPGA, synchronous to the incoming serial data.
clk125_ibuf	125 MHz input clock.	Clock derived from incoming differential clock by IBUFGDS. This is the input clock for MMCM.
sgmii_clk	Output Clock to MAC	Clock for client MAC. This clock is derived from sgmii_clk_r and sgmii_clk_f using ODDR primitive.
clk104	Generated by MMCM	This clock is used in eye monitor and phy calibration modules to process 12-bit wide data.
clk208	Generated by MMCM	On transmitter path OSERDES takes 6-bit parallel data at this frequency and converts it to serial data. Similarly on receiver path ISERDES converts serial data into 6 bit parallel data at 208 MHz. Later 6 bit data is converted into 10-bit data through gearbox. Clock also drives the IDELAYCTRL primitive.
clk625	Generated by MMCM	Used by ISERDES and OSERDES modules for input data sampling and parallel to serial conversion respectively.
clk125	Generated by MMCM	Used inside the design as main clock. PCS/PMA core and SGMII adaptation modules work at this clock.
sgmii_clk_r	Generated in SGMII adapter.	125 MHz or 12.5 MHz or 1.25 MHz depending on data rate.
sgmii_clk_f	Generated in SGMII adapter.	125 MHz or 12.5 MHz or 1.25 MHz depending on data rate.

Layout and Placement

A hands-on approach is required for placing this design. The steps provided here are a useful guide, but other knowledge is assumed. To aid with these guidelines, users of the core in this mode would benefit from:

- A detailed understanding of 7 Series FPGA Clocking Resources and SelectIO Resources. See *7 Series FPGAs SelectIO Resources User Guide* (UG471) [Ref 2] and *7 Series FPGA Clocking Resources User Guide* (UG472) [Ref 9].
- A working knowledge of the Xilinx PlanAhead™ tool (or alternatively FPGA Editor) to locate particular clock buffers and slices.

Following are some guidelines:

- Select an I/O Bank in your chosen device for use with for your transmitter and receiver SGMII ports; see [Clocking Logic](#).
- A single IDELAYCTRL is instantiated by the [Block Level HDL](#) for use with a single I/O Bank. This primitive needs to be associated with the various IODELAYE2 elements used in that I/O Bank.

The following XDC syntax achieves this in the example design provided for the Kintex-7 device XC7K325T:

```
set_property PACKAGE_PIN AD12 [get_ports refclk125_p]
set_property PACKAGE_PIN AD11 [get_ports refclk125_n]
set_property IOSTANDARD LVDS [get_ports refclk125_n]
set_property IOSTANDARD LVDS [get_ports refclk125_p]

set_property IOSTANDARD LVCMOS18 [get_ports reset]
set_property PACKAGE_PIN Y29 [get_ports reset]

set_property PACKAGE_PIN Y23 [get_ports rxp]
set_property PACKAGE_PIN Y24 [get_ports rxn]
set_property IOSTANDARD LVDS_25 [get_ports rxn]
set_property IOSTANDARD LVDS_25 [get_ports rxp]

set_property PACKAGE_PIN L25 [get_ports txp]
set_property PACKAGE_PIN K25 [get_ports txn]
set_property IOSTANDARD LVDS_25 [get_ports txn]
set_property IOSTANDARD LVDS_25 [get_ports txp]
```

Example Design Implementation

Figure 7-1 illustrates the HDL example design that is provided for the SGMII over Zynq-7000, Virtex-7, Kintex-7, and Artix-7 device LVDS implementation. As illustrated, the example is split between several hierarchical layers. The top level of the example design creates a specific example that can be simulated, synthesized and implemented.

The core netlist in this implementation remains identical to that of [Ethernet 1000BASE-X PCS/PMA or SGMII Support Using a Device Specific Transceiver in Chapter 1](#)

Also illustrated in [Figure 7-3](#), the HDL example design for this implementation provides additional logic to form the "LVDS transceiver" module, which fully replaces the functionality otherwise provided by a 7 series FPGA GTX/GTH/GTP Transceiver. The LVDS transceiver block uses the 7 series [OSERDES](#), [IODELAYS](#) and [ISERDES](#) elements. The full transceiver functionality is then completed with Comma Alignment, 8B/10B Decoder, 8B/10B Encoder. The example design logical blocks and files are discussed in detail in the next sections.

Example Design Top Level

The top-level example design for the core with SGMII using synchronous clocking over Zynq-7000, Virtex-7, Kintex-7, and Artix-7 device is described in the following files:

VHDL

```
<project_dir>/<project_name>/<project_name>.srcs/sources1/ip/<component_name>/  
example_design/<component_name>_example_design.vhd
```

Verilog

```
<project_dir>/<project_name>/<project_name>.srcs/sources1/ip/<component_name>/  
example_design/<component_name>_example_design.v
```

The example design HDL top level contains the following:

- An instance of the I/O block level in case shared logic in the core is selected, otherwise support level.
- External GMII logic, including IOB and DDR register instances, where required. This module adds I/O logic to the GMII of the SGMII ports. This is included only to create a standalone design that can be implemented in an FPGA and simulated in both functional and timing simulation for the purposes of providing a complete SGMII design example. *Discard this level of hierarchy and instantiate the [Block Level HDL](#) in your own design.*

Support Level HDL

The following files describe the block level for the 1000Base-X/SGMII PCS/PMA core. The files can be found in /synth directory if shared logic in core is selected or /example_design/support if shared logic in example design is selected.

VHDL

```
/synth/<component_name>_support.vhd or  
/example_design/support/<component_name>_support.vhd
```

Verilog

```
/synth/<component_name>_support.v or  
/example_design/support/<component_name>_support.v
```

<component_name>_support module instantiates idelayctrl, clocking and reset modules.

VHDL

```
/synth/<component_name>_idelayctrl.vhd or  
/example_design/support/<component_name>_idelayctrl.vhd
```

```
/synth/<component_name>_clocking.vhd or  
/example_design/support/<component_name>_clocking.vhd
```

```
/synth/<component_name>_resets.vhd or  
/example_design/support/<component_name>_resets.vhd
```

Verilog

```
/synth/<component_name>_idelayctrl.v or  
/example_design/support/<component_name>_idelayctrl.v
```

```
/synth/<component_name>_clocking.v or  
/example_design/support/<component_name>_clocking.v
```

```
/synth/<component_name>_resets.v or  
/example_design/support/<component_name>_resets.v
```

Block Level HDL

The following files describe the block level for the Ethernet 1000BASE-X PCS/PMA core in SGMII mode:

VHDL

```
<project_dir>/<project_name>/<project_name>.srcs/sources1/ip/<component_name>/  
synth/<component_name>_block.vhd
```

Verilog

```
<project_dir>/<project_name>/<project_name>.srcs/sources1/ip/<component_name>/  
synth/<component_name>_block.v
```

The block level of the example design connects together all of the components for a single SGMII port. These are:

- A core netlist (introduced in [Ethernet 1000BASE-X PCS/PMA or SGMII Support Using a Device Specific Transceiver in Chapter 1](#)).
- The [LVDS Transceiver](#), connected to the PHY side of the core netlist, to perform the SerDes functionality using the Synchronous LVDS Method. Containing:
 - Functionality for I/O functionality and gearbox modules in transmit and receive path for data width conversion.
 - Functionality to find the right sampling point using eye monitor and phy calibration modules.
- The [SGMII Adaptation Module](#) top level, connected to the Ethernet MAC (GMII) side of the core netlist, containing:
 - The clock management logic required to enable the SGMII example design to operate at 10 Mb/s, 100 Mb/s, and 1 Gb/s.
 - GMII logic for both transmitter and receiver paths; the GMII style 8-bit interface is run at 125 MHz for 1 Gb/s operation; 12.5 MHz for 100 Mb/s operation; 1.25 MHz for 10 Mb/s operation.

LVDS Transceiver

The LVDS transceiver block fully replaces the functionality otherwise provided by a 7 series device transceiver. This is only possible at a serial line rate of 1.25 Gb/s. See [Figure 7-3](#) for a block diagram of the LVDS transceiver. This is split up into several sub-blocks which are described in further detail in the following sections. On the transmitter path, data sourced by the core netlist is routed through the [8B/10B Encoder](#) to translate the 8-bit code groups into 10-bit data. The 10-bit data is then passed through the 10B6B Gearbox, the parallel 6-bit data is then clocked out serially at a line rate of 1.25 Gb/s.

The receiver path has further complexity. Serial data received at 1.25 Gb/s is routed in parallel to two [IODELAYS](#) and [ISERDES](#) elements as illustrated in [Figure 7-4](#). There is a logic to find the correct sampling point in eye monitor and phy calibration modules.

Then 6-bit parallel data is fed to the 6B10B gearbox which converts it into 10-bit parallel data. Having recovered parallel data from the serial stream, the [Comma Alignment](#) module, next on the receiver path, detects specific 8b/10b bit patterns (commas) and uses these to realign the 10-bit parallel data to contain unique 8b/10b code groups. These code groups are then routed through the [8B/10B Decoder](#) module to obtain the unencoded 8-bit code groups that the core netlist can accept.

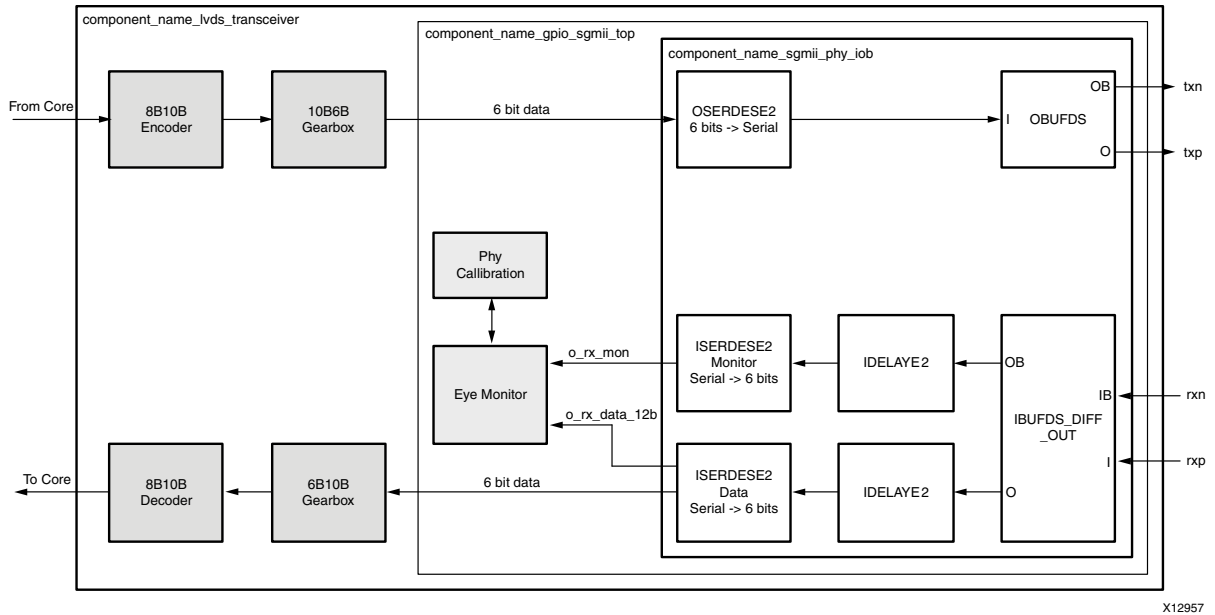


Figure 7-3: LVDS Transceiver Block Level Representation

The following files describe the top level of the hierachal levels of the LVDS transceiver:

VHDL

```
<project_dir>/<project_name>/<project_name>.srcs/sources1/ip/<component_name>/
synth/lvds_transceiver/<component_name>_lvds_transceiver.vhd
```

Verilog

```
<project_dir>/<project_name>/<project_name>.srcs/sources1/ip/<component_name>/
synth/lvds_transceiver/<component_name>_lvds_transceiver.v
```

8B/10B Encoder

The implemented 8B/10B coding scheme is an industry standard, DC-balanced, byte-oriented transmission code ideally suited for high-speed local area networks and serial data links. As such, the coding scheme is used in several networking standards, including Ethernet. The 8B/10B Encoder block is taken from Xilinx Application Note, *Parameterizable 8b/10b Encoder* (XAPP1122) [Ref 10] provides two possible approaches: a choice of a block RAM-based implementation or a LUT-based implementation. The SGMII LVDS example design uses the LUT-based implementation, but XAPP1122 can be used to swap this for the block RAM-based approach if this better suits device logic resources.

The following files describe the 8B/10B Encoder:

VHDL

```
<project_dir>/<project_name>/<project_name>.srcs/sources1/ip/<component_name>/  
synth/lvds_transceiver/  
<component_name>_encode_8b10b_pkg.vhd  
<component_name>_encode_8b10b_lut_base.vhd
```

Verilog

```
<project_dir>/<project_name>/<project_name>.srcs/sources1/ip/<component_name>/  
synth/lvds_transceiver/  
<component_name>_encode_8b10b_pkg.v  
<component_name>_encode_8b10b_lut_base.v
```

OSERDES

The OSERDES primitive (actually a MASTER-SLAVE pair of primitives) is used in a standard mode; 6-bit input parallel data synchronous to a 208 MHz global clock buffer source (BUFG) is clocked into the OSERDES. Internally within the OSERDES, the data is serialized and output at a rate of 1.25 Gb/s. The clock source used for the serial data is a 625 MHz clock source using a BUFG global clock buffer at double data rate.

- The 625 MHz BUFG and 208 MHz BUFG clocks for serial and parallel data are both derived from the same MMCM so there is no frequency drift.
- The use of the BUFG global clock buffer for the parallel clock is a requirement of the OSERDES; when using a BUFG clock for serial data, a BUFG clock source, derived from the same MMCM source, must be used for the parallel data to satisfy clock phase alignment constraints within the OSERDES primitives.

Gearbox 10b6b

This module is used to convert 10-bit data at 125 MHz to 6-bit data at 208 MHz. This data is then given to OSERDES for serialization.

VHDL

```
<project_dir>/<project_name>/<project_name>.srcs/sources1/ip/<component_name>/  
synth/lvds_transceiver/<component_name>_gearbox_10b_6b.vhd
```

Verilog

```
<project_dir>/<project_name>/<project_name>.srcs/sources1/ip/<component_name>/  
synth/lvds_transceiver/<component_name>_gearbox_10b_6b.v
```

IODELAYS and ISERDES

This logic along with eye monitor and phy calibration is used to convert incoming serial data into 6 bit parallel data. See IODELAYS and ISERDES in the *7 Series FPGAs SelectIO Resources User Guide* (UG471) [Ref 2] for more information on these primitives.

Eye Monitor and PHY Calibration

Both these modules have state machines and work in conjunction to find the right sampling point for receive data coming from ISERDES. These modules work on 12-bit wide data at 104 MHz frequency. This data is the 6-bit parallel data (at 208 MHz) sampled at 104 MHz. Eye monitor monitors the N-node IDELAY to determine the margin of current P-node (data) IDELAY tap value.

The following file describes the eye monitor functionality:

VHDL

```
<project_dir>/<project_name>/<project_name>.srcs/sources1/ip/<component_name>/  
synth/lvds_transceiver/<component_name>_sgmii_eye_monitor.vhd
```

Verilog

```
<project_dir>/<project_name>/<project_name>.srcs/sources1/ip/<component_name>/  
synth/lvds_transceiver/<component_name>_sgmii_eye_monitor.v
```

PHY calibration module uses the eye monitor block to determine the optimal rx-data IDELAY sampling point. The following file describes the phy calibration functionality:

VHDL

```
<project_dir>/<project_name>/<project_name>.srcs/sources1/ip/  
<component_name>/synth/lvds_transceiver/<component_name>_sgmii_phy_calibration.vhd
```

Verilog

```
<project_dir>/<project_name>/<project_name>.srcs/sources1/ip/<component_name>/  
synth/lvds_transceiver/<component_name>_sgmii_phy_calibration.v
```

Gearbox 6b10b

This module is used to convert 6-bit data recovered from ISERDES at 208 MHz to 10-bit data at 125 MHz to be used by Comma Alignment and 8B/10B Decoder modules. Also it implements bitflip logic based on input from comma alignment module.

VHDL

```
<project_dir>/<project_name>/<project_name>.srcs/sources1/ip/<component_name>/synth  
/lvds_transceiver/<component_name>_gearbox_6b_10b.vhd
```

Verilog

```
<project_dir>/<project_name>/<project_name>.srcs/sources1/ip/<component_name>/  
synth/lvds_transceiver/<component_name>_gearbox_6b_10b.v
```

Comma Alignment

Data received by comma alignment block is in parallel form, but the bits of the parallel bus have not been aligned into correct 10-bit word boundaries. By detecting a unique 7-bit serial sequence known as a 'comma' (however the commas can fall across the 10-bit parallel words), the comma alignment logic controls bit shifting of the data so as to provide correct alignment to the data leaving the module. The bitflip input of the gearbox_6b_10b is driven by the comma alignment module state machine, so the actual bit shift logic is performed by the gearbox_6b_10b. In 8b/10b encoding, both +ve and -ve bit sequences exist for each defined code group. The comma alignment logic is able to detect and control realignment on both +ve and -ve comma versions.

The following files describe the Comma Alignment block:

VHDL

```
<project_dir>/<project_name>/<project_name>.srcs/sources1/ip/<component_name>/  
synth/lvds_transceiver/<component_name>_sgmii_comma_alignment.vhd
```

Verilog

```
<project_dir>/<project_name>/<project_name>.srcs/sources1/ip/<component_name>/synth  
/lvds_transceiver/<component_name>_sgmii_comma_alignment.v
```

8B/10B Decoder

The implemented 8b/10b coding scheme is an industry-standard, DC-balanced, byte-oriented transmission code ideally suited for high-speed local area networks and serial data links. As such, the coding scheme is used in several networking standards, including Ethernet. The 8B/10B Decoder block is taken from Xilinx Application Note, *Parameterizable 8b/10b Encoder* (XAPP1122) [Ref 10] provides two possible approaches: a choice of a block RAM-based implementation or a LUT-based implementation.

The SGMII LVDS example design uses the LUT-based implementation, but XAPP1122 can be used to swap this for the block RAM-based approach if this better suits device logic resources.

The following files describe the 8B/10B Decoder:

VHDL

```
<project_dir>/<project_name>/<project_name>.srcs/sources1/ip/<component_name>/  
synth/lvds_transceiver/  
<component_name>_decode_8b10b_pkg.vhd  
<component_name>_decode_8b10b_lut_base.vhd
```

Verilog

```
<project_dir>/<project_name>/<project_name>.srcs/sources1/ip/<component_name>/synth/  
/lvds_transceiver/  
<component_name>_ decode_8b10b_pkg.v  
<component_name>_ decode_8b10b_lut_base.v
```

GPIO SGMII TOP

This module is a hierarchical top including the eye monitor, phy calibration modules, and the SGMII PHY IOB functionality. See [Figure 7-3](#) for a detailed block diagram for LVDS transceiver.

VHDL

```
<project_dir>/<project_name>/<project_name>.srcs/sources1/ip/<component_name>/  
synth/lvds_transceiver/<component_name>_gpio_sgmi_top.vhd
```

Verilog

```
<project_dir>/<project_name>/<project_name>.srcs/sources1/ip/<component_name>/  
synth/lvds_transceiver/<component_name>_gpio_sgmi_top.v
```

SGMII PHY IOB

This module is a hierarchical top including the ISERDES, OSERDES, and IDELAY modules. See [Figure 7-3](#) for a detailed block diagram for LVDS transceiver.

VHDL

```
<project_dir>/<project_name>/<project_name>.srcs/sources1/ip/<component_name>/synth  
/lvds_transceiver/<component_name>_sgmii_phy_iob.vhd
```

Verilog

```
<project_dir>/<project_name>/<project_name>.srcs/sources1/ip/<component_name>/  
synth/lvds_transceiver/<component_name>_sgmii_phy_iob.v
```

SGMII Adaptation Module

The SGMII Adaptation Module is described in the following files:

VHDL

```
<project_dir>/<project_name>/<project_name>.srcs/sources1/ip/<component_name>/synth  
/sgmii_adapt/  
<component_name>_sgmii_adapt.vhd  
<component_name>_clk_gen.vhd  
<component_name>_johnson_cntr.vhd  
<component_name>_tx_rate_adapt.vhd  
<component_name>_rx_rate_adapt.vhd
```

Verilog

```
<project_dir>/<project_name>/<project_name>.srcs/sources1/ip/<component_name>/synth  
/sgmii_adapt/  
<component_name>_sgmii_adapt.v  
<component_name>_clk_gen.v  
<component_name>_johnson_cntr.v  
<component_name>_tx_rate_adapt.v  
<component_name>_rx_rate_adapt.v
```

The GMII of the core always operates at 125 MHz. The core makes no differentiation between the three speeds of operation; it always effectively operates at 1 Gb/s. However, at 100 Mb/s, every data byte run through the core should be repeated 10 times to achieve the required bit rate; at 10 Mb/s, each data byte run through the core should be repeated 100 times to achieve the required bit rate. Dealing with this repetition of bytes is the function of the SGMII adaptation module and its component blocks. The SGMII adaptation module and component blocks are described in detail in the [Additional Client-Side SGMII Logic in Chapter 8](#).

Demonstration Test Bench

Figure 7-4 illustrates the demonstration test bench for the Ethernet 1000BASE-X PCS/PMA or SGMII core in SGMII mode with the LVDS solution over a Zynq-7000, Virtex-7, Kintex®-7, and Artix®-7 device. The demonstration test bench is a simple VHDL or Verilog program to exercise the example design and the core itself.

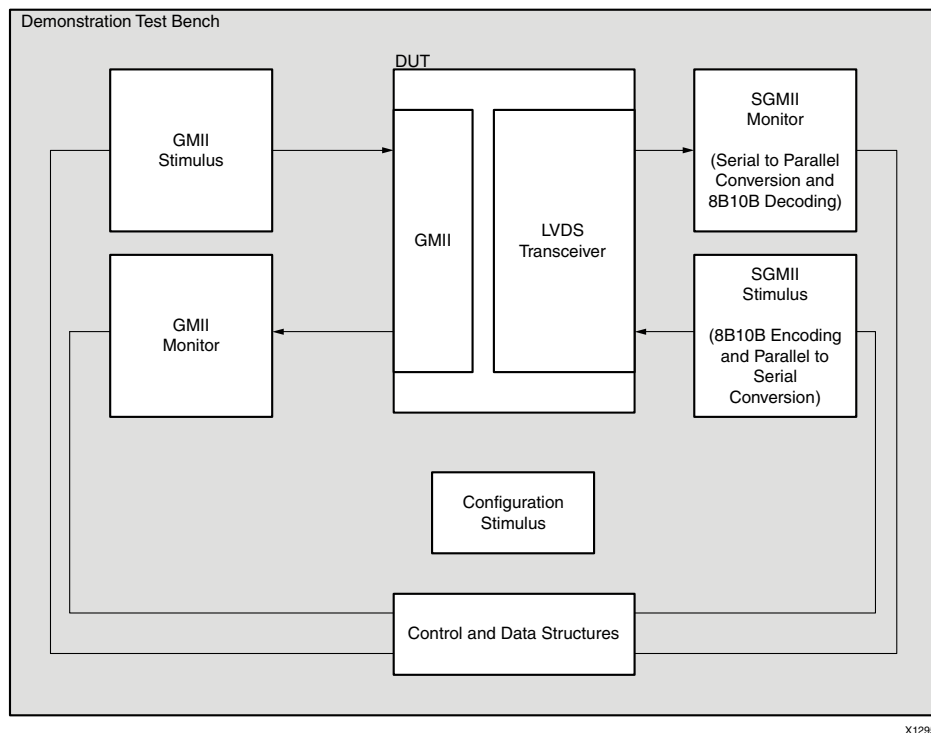


Figure 7-4: **Demonstration Test Bench for the SGMII Core in SGMII over LVDS Solution for a Zynq-7000, Virtex-7, Kintex-7, or Artix-7 Device**

The top-level test bench entity instantiates the example design for the core, which is the Device Under Test (DUT). A stimulus block (per SGMII port) is also instantiated and clocks, resets and test bench semaphores are created. The following files describe the top-level of the demonstration test bench.

VHDL

```
<project_dir>/<project_name>/<project_name>.srcs/sources1/ip/<component_name>/
<simulation/demo_tb.vhd
```

Verilog

```
<project_dir>/<project_name>/<project_name>.srcs/sources1/ip/<component_name>/
<simulation/demo_tb.v
```

The stimulus block entity, instantiated from within the top-level test bench, creates the Ethernet stimulus in the form of four Ethernet frames, which are injected into GMII and SGMII serial interfaces of the DUT. The output from the DUT is also monitored for errors.

The following files describe the stimulus block of the demonstration test bench.

VHDL

```
<project_dir>/<project_name>/<project_name>.srcs/sources1/ip/
<component_name>/simulation/stimulus_tb.vhd
```

Verilog

```
<project_dir>/<project_name>/<project_name>.srcs/sources1/ip/
<component_name>/simulation/stimulus_tb.v
```

Together, the top-level test bench file and the stimulus block combine to provide the full test bench functionality which is described in the sections that follow.

The demonstration test bench performs the following tasks:

- Input clock signals are generated.
- A reset is applied to the example design.
- Then, for SGMII port instantiated in the example design:
 - The core is configured through its MDIO interface by injecting an MDIO frame into the example design. This disables auto-negotiation and takes the core out of Isolate state.
 - The following frames are injected into the GMII transmitter by the GMII stimulus block at 1 Gb/s.
 - the first is a minimum length frame
 - the second is a type frame
 - the third is an errored frame
 - the fourth is a padded frame
 - The data received at the SGMII serial LVDS transceiver interface is 8B/10B decoded. The resulting frames are checked by the SGMII Monitor against the stimulus frames injected into the GMII transmitter to ensure data integrity.

- The same four frames are generated by the SGMII Stimulus block. These are 8B/10B encoded and injected into the SGMII serial LVDS transceiver interface.
- Data frames received at the GMII receiver are checked by the GMII Monitor against the stimulus frames injected into the LVDS transceiver to ensure data integrity.

Customizing the Test Bench

The changes described in the following subsections are applied simultaneously to all SGMII ports instantiated in the example design.

Changing Frame Data

You can change the contents of the four frames used by the demonstration test bench by changing the data and valid fields for each frame defined in the stimulus block. New frames can be added by defining a new frame of data. Modified frames are automatically updated in both stimulus and monitor functions.

Changing Frame Error Status

Errors can be inserted into any of the predefined frames in any position by setting the error field to '1' in any column of that frame. Injected errors are automatically updated in both stimulus and monitor functions.

Changing the Core Configuration

The configuration of the Ethernet 1000BASE-X PCS/PMA core used in the demonstration test bench can be altered.



CAUTION! *Certain configurations of the core cause the test bench to fail or cause processes to run indefinitely. For example, the demonstration test bench does not auto-negotiate with the design example. Determine the configurations that can safely be used with the test bench.*

The core can be reconfigured by editing the injected MDIO frame in the demonstration test bench top level. See [Chapter 2, Product Specification](#) for information about using the MDIO interface.

Changing the Operational Speed

SGMII can be used to carry Ethernet traffic at 10 Mb/s, 100 Mb/s or 1 Gb/s. By default, the demonstration test bench is configured to operate at 1 Gb/s. The speed of both the example design and test bench can be set to the desired operational speed by editing the following settings, recompiling the test bench, then running the simulation again.

1 Gb/s Operation

```
set speed_is_10_100 to logic 0
```

100 Mb/s Operation

```
set speed_is_10_100 to logic 1  
set speed_is_100 to logic 1
```

10 Mb/s Operation

```
set speed_is_10_100 to logic 1  
set speed_is_100 to logic 0
```


Using the Client-Side GMII Datapath

This chapter provides general guidelines for using the client-side GMII of the Ethernet 1000BASE-X PCS/PMA or SGMII core. In most applications, the client-side GMII is expected to be used as an internal interface, connecting to either:

- Proprietary customer logic

This section describes the GMII-styled interface that is present on the netlist of the core. This interface operates identically for both 1000BASE-X and SGMII standards.

The section then also focuses on additional optional logic (which is provided by the example design delivered with the core when SGMII mode is selected). This logic enhances the internal GMII-styled interface to support 10 Mb/s and 100 Mb/s Ethernet speeds in addition to the nominal 1 Gb/s speed of SGMII.

- The IP catalog core Tri-Mode Ethernet MAC

The 1000BASE-X PCS/PMA or SGMII core can be integrated in a single device with the Tri-Mode Ethernet MAC core to extend the system functionality to include the MAC sublayer. See [Chapter 11, Interfacing to Other Cores](#).

- Ethernet MACs (ENET0/ENET1) present in Zynq®-7000 AP SoC processor subsystem

The 1000BASE-X PCS/PMA or SGMII core can be integrated with ENET0 or ENET1 through the EMIO interface. See [Chapter 11, Interfacing to Other Cores](#).

In rare applications, the client-side GMII datapath can be used as a true GMII, to connect externally off-chip across a PCB. The extra logic required to create a true external GMII is detailed in [Appendix E, Implementing External GMII](#).

Using the Encrypted Core Level Client-Side GMII for the 1000BASE-X Standard

It is not within the scope of this document to define the Gigabit Media Independent Interface (GMII)— see clause 35 of the IEEE 802.3-2008 specification for information about the GMII. Timing diagrams and descriptions are provided only as an informational guide.

GMII Transmission

This section includes figures that illustrate GMII transmission. In these figures the clock is not labeled. The source of this clock signal varies, depending on the options selected when the core is generated. For more information on clocking, see Chapters 6, 7 and 8.

Normal Frame Transmission

Normal outbound frame transfer timing is illustrated in [Figure 8-1](#). This figure shows that an Ethernet frame is preceded by an 8-byte preamble field (inclusive of the Start of Frame Delimiter (SFD)), and completed with a 4-byte Frame Check Sequence (FCS) field. This frame is created by the MAC connected to the other end of the GMII. The PCS logic itself does not recognize the different fields within a frame and treats any value placed on `gmiitxd[7:0]` within the `gmiitx_en` assertion window as data.

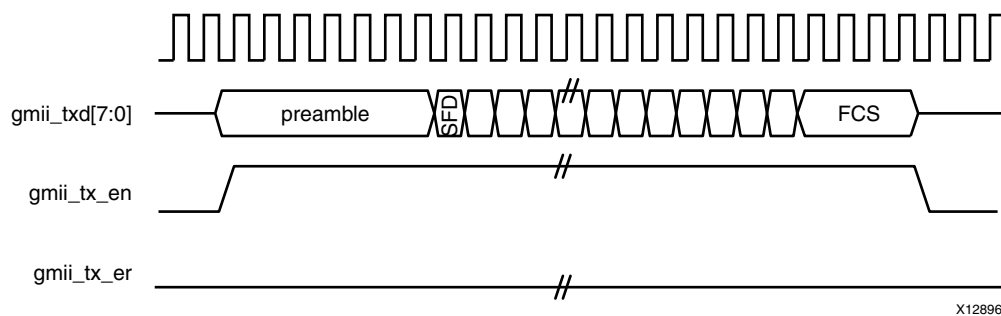


Figure 8-1: GMII Normal Frame Transmission

Error Propagation

A corrupted frame transfer is illustrated in [Figure 8-2](#). An error can be injected into the frame by asserting `gmiitx_er` at any point during the `gmiitx_en` assertion window.

The core ensures that all errors are propagated through both transmit and receive paths so that the error is eventually detected by the link partner.

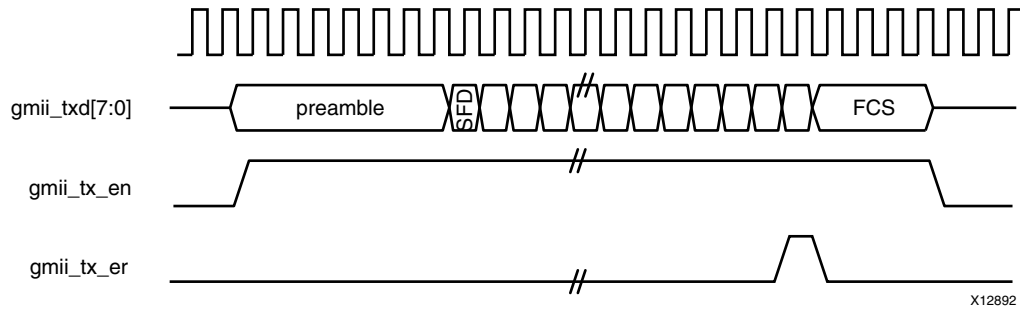


Figure 8-2: GMII Error Propagation Within a Frame

GMII Reception

This section includes figures that illustrate GMII reception. In these figures the clock is not labeled. The source of this clock signal vary, depending on the options used when the core is generated. For more information on clocking, see Chapters 6, 7 and 8.

Normal Frame Reception

The timing of normal inbound frame transfer is illustrated in Figure 8-3. This shows that Ethernet frame reception is preceded by a preamble field. The IEEE 802.3-2008 specification (see clause 35) [Ref 4] allows for up to all of the seven preamble bytes that proceed the Start of Frame Delimiter (SFD) to be lost in the network. The SFD is always present in well-formed frames.

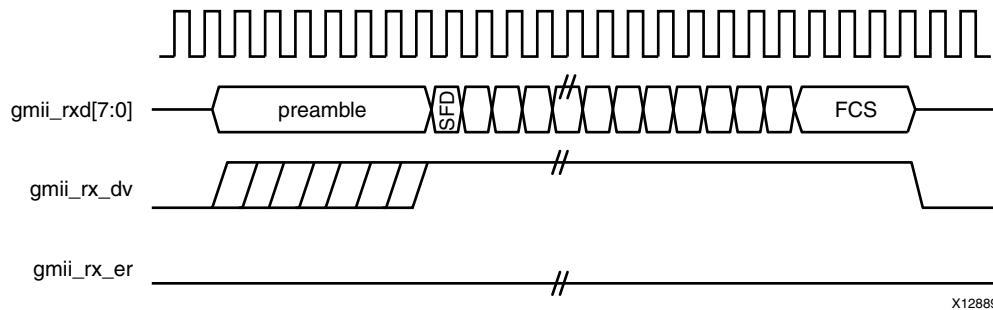


Figure 8-3: GMII Normal Frame Reception

Normal Frame Reception with Extension Field

In accordance with the IEEE 802.3-2008, clause 36 [Ref 4], state machines for the 1000BASE-X PCS, `gmii_rx_er` can be driven High following reception of the end frame in conjunction with `gmii_rxd[7:0]` containing the hexadecimal value of 0x0F to signal carrier extension. This is illustrated in Figure 8-4. See Appendix C, 1000BASE-X State Machines for more information.

This is not an error condition and can occur even for full-duplex frames.

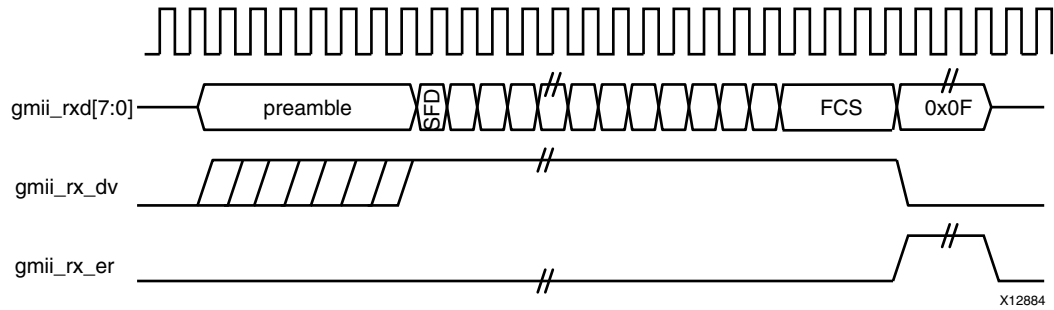


Figure 8-4: GMII Normal Frame Reception with Carrier Extension

Frame Reception with Errors

The signal `gmii_rx_er` when asserted within the assertion window signals that a frame was received with a detected error (Figure 8-5). In addition, a late error can also be detected during the Carrier Extension interval. This is indicated by `gmii_rxd[7:0]` containing the hexadecimal value `0x1F`, also illustrated in Figure 8-5.

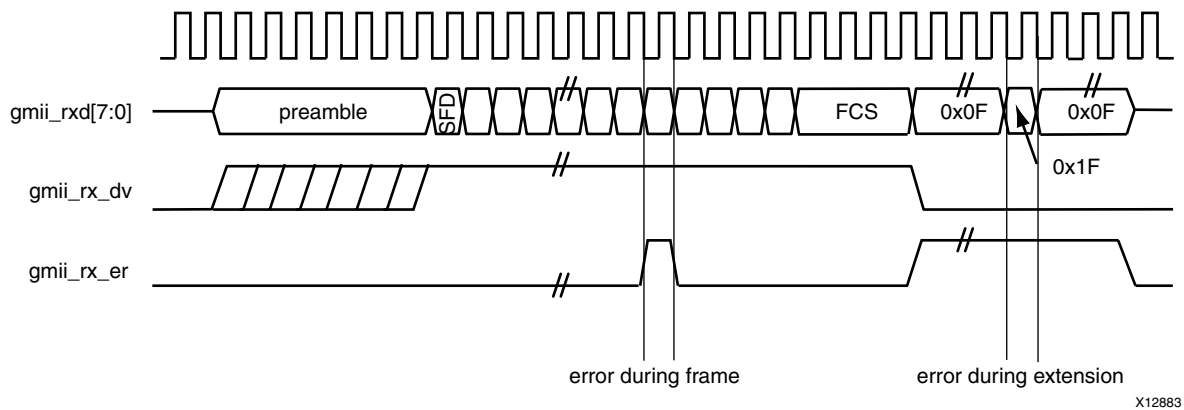


Figure 8-5: GMII Frame Reception with Errors

False Carrier

Figure 8-6 illustrates the GMII signaling for a False Carrier condition. False Carrier is asserted by the core in response to certain error conditions, such as a frame with a corrupted start code, or for random noise.

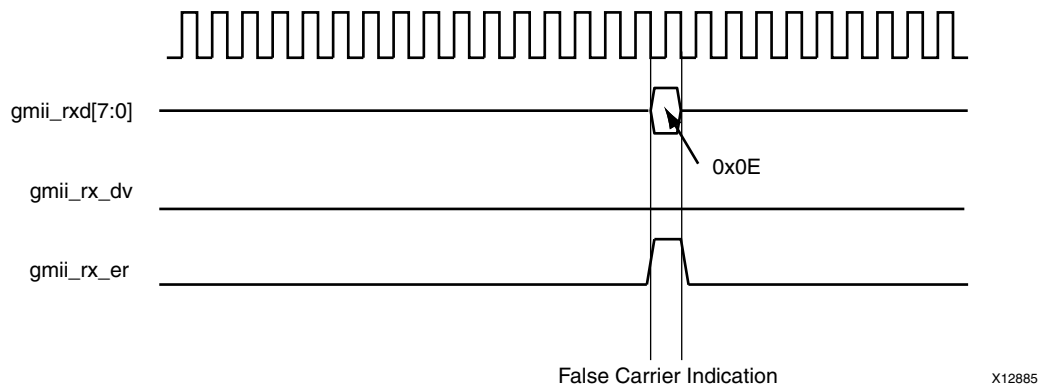


Figure 8-6: False Carrier Indication

status_vector[15:0] signals

Bit[0]: Link Status

This signal indicates the status of the link. This information is duplicated in the optional PCS Management registers, if present (bit 1.2). However, this always serves a useful function as a Link Status LED.

When High, the link is valid; synchronization of the link has been obtained *and* auto-negotiation (if present and enabled) has completed.

When Low, a valid link has not been established. Either link synchronization has failed or auto-negotiation (if present and enabled) has failed to complete.

Bit[1]: Link Synchronization

This signal indicates the state of the synchronization state machine (IEEE 802.3-2008 figure 36-9). This signal is similar to Bit[0] (Link Status), but is *not* qualified with auto-negotiation.

When High, link synchronization has been obtained. When Low, synchronization has failed.

Bit[7]: PHY Link Status (SGMII mode only)

When operating in SGMII mode, this bit represents the link status of the external PHY device attached to the other end of the SGMII link. *However, this bit is only valid after successful completion of auto-negotiation across the SGMII link.* If SGMII auto-negotiation is disabled, then the status of this bit should be ignored.

- When High, the PHY has obtained a link with its link partner;
- When Low, the PHY has not linked with its link partner.

When operating in 1000BASE-X mode this bit remains Low and should be ignored.

Bits[6:2]: Code Group Reception Indicators

These signals indicate the reception of particular types of groups, as defined in the following subsections. Figure 8-7 illustrates the timing of these signals, showing that they are aligned with the code groups themselves, as they appear on the output `gmii_rxd[7:0]` port

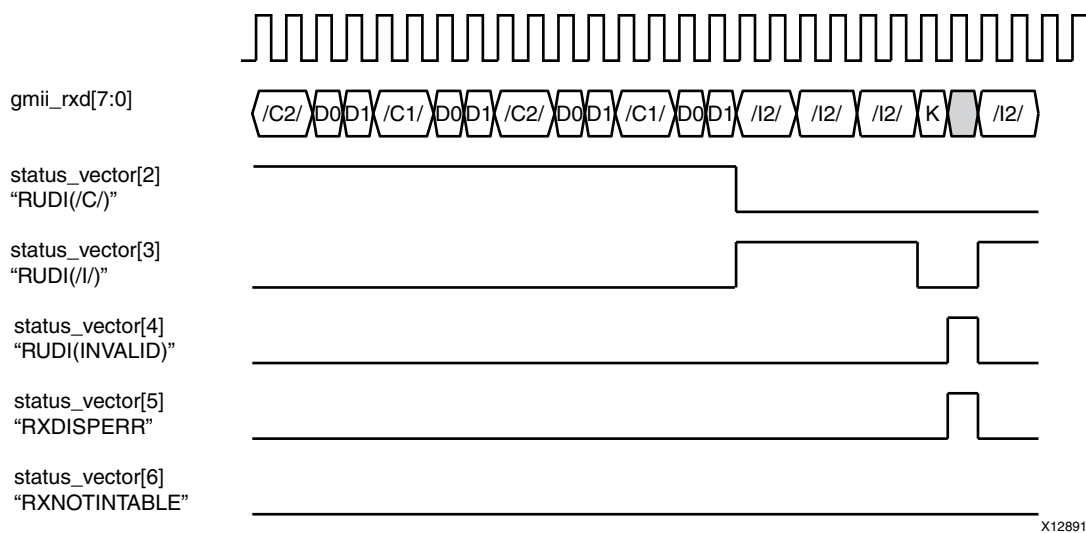


Figure 8-7: status_vector[4:2] timing

Bit[2]: RUDI(/C/)

The core is receiving /C/ ordered sets (auto-negotiation configuration sequences) as defined in IEEE 802.3-2008 clause 36.2.4.10.

Bit[3]: RUDI(/I/)

The core is receiving /I/ ordered sets (Idles) as defined in IEEE 802.3-2008 clause 36.2.4.12.

Bit[4]: RUDI(INVALID)

The core has received invalid data while receiving /C/ or /I/ ordered set as defined in IEEE 802.3-2008 clause 36.2.5.1.6. This can be caused, for example, by bit errors occurring in any clock cycle of the /C/ or /I/ ordered set. Figure 8-7 illustrates an error occurring in the second clock cycle of an /I/ idle sequence.

Bit[5]: RXDISPERR

The core has received a running disparity error during the 8B/10B decoding function. [Figure 8-7](#) illustrates a running disparity error occurring in the second clock cycle of an /I/ idle sequence.

Bit[6]: RXNOTINTABLE

The core has received a code group that is not recognized from the 8B/10B coding tables. If this error is detected, the timing of the `rxnotintable` signal would be identical to that of the `rxdisperr` signal illustrated in [Figure 8-7](#).

Bits[9:8]: Remote Fault Encoding

This signal indicates the remote fault encoding (IEEE 802.3-2008 table 37-3). This signal is validated by bit 13 of `status_vector` and is only valid when auto-negotiation is enabled.

This signal has no significance when the core is in SGMII mode with PHY side implementation and indicates "00". In all the remaining modes indicates the remote fault encoding.

Bits [11:10]: SPEED

This signal indicates the speed negotiated and is only valid when auto-negotiation is enabled. The signal encoding is as shown:

Bit[11] Bit[10]

1	1	Reserved
1	0	1000 Mb/s
0	1	100 Mb/s
0	0	10 Mb/s

Bit[12]: Duplex Mode

This bit indicates the Duplex mode negotiated with the link partner

1 = Full Duplex

0 = Half Duplex

Bit[13] Remote Fault

When this bit is logic one, it indicates that a remote fault is detected and the type of remote fault is indicated by status_vector bits[9:8].

Note: This bit is only deasserted when an MDIO read is made to status register (register1). This signal has no significance in SGMII PHY mode.

Bits[15;14]: Pause

These bits reflect the bits [8:7] of Register 5 (Link Partner Base AN register)

Bit[15] Bit[14]

0	0	No Pause
0	1	Symmetric Pause
1	0	Asymmetric Pause towards Link partner
1	1	Both Symmetric Pause and Asymmetric Pause towards link partner

Using the Encrypted Core Level Client-Side GMII for the SGMII Standard

Overview

When the core is generated for the SGMII standard, changes are made to the core that affect the PCS Management registers and the auto-negotiation function (see [Select Standard in Chapter 13](#)). However, the datapath through both transmitter and receiver sections of the core remains unchanged.

GMII Transmission

1 Gigabit per Second Frame Transmission

The timing of normal outbound frame transfer is illustrated in Figure 8-8. At 1 Gb/s speed, the operation of the transmitter GMII signals remains identical to that described in Using the Encrypted Core Level Client-Side GMII for the 1000BASE-X Standard.

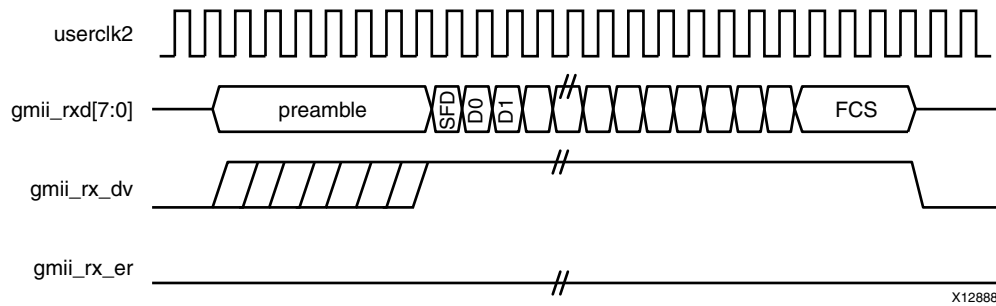


Figure 8-8: GMII Frame Transmission at 1 Gb/s

100 Megabit per Second Frame Transmission

The operation of the core remains unchanged. It is the responsibility of the client logic (for example, an Ethernet MAC) to enter data at the correct rate. When operating at a speed of 100 Mb/s, every byte of the MAC frame (from preamble to the Frame Check Sequence field, inclusive) should each be repeated for 10 clock periods to achieve the desired bit rate, as illustrated in Figure 8-9. It is also the responsibility of the client logic to ensure that the interframe gap period is legal for the current speed of operation. Only when the core is connected to ENET0/1 in the Zynq-7000 AP SoC processor subsystem, the core will take care of converting the 4-bit MII interface to 8 bit as required by the core. In all other cases the core expects 8 bits from client logic.

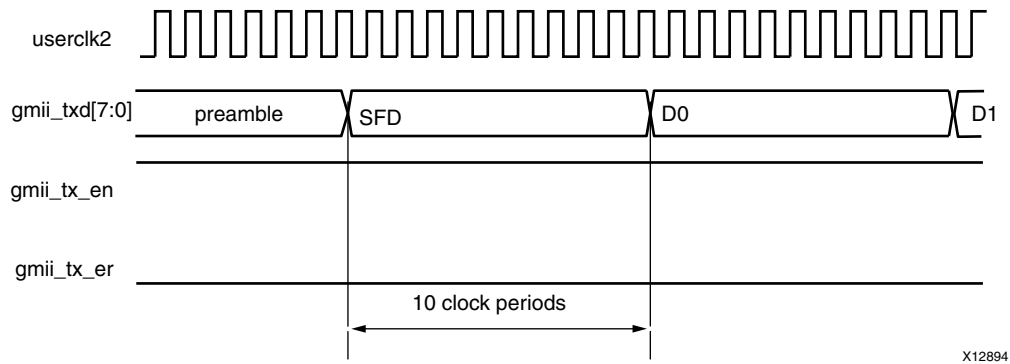


Figure 8-9: GMII Data Transmission at 100 Mb/s

10 Megabit per Second Frame Transmission

The operation of the core remains unchanged. It is the responsibility of the client logic (for example, an Ethernet MAC), to enter data at the correct rate. When operating at a speed of 10 Mb/s, every byte of the MAC frame (from preamble to the frame check sequence field, inclusive) should each be repeated for 100 clock periods to achieve the desired bit rate. It is also the responsibility of the client logic to ensure that the interframe gap period is legal for the current speed of operation. Only when the core is connected to ENET0/1 in the Zynq-7000 AP SoC processor subsystem, the core will take care of converting the 4-bit MII interface to 8 bit as required by the core. In all other cases the core expects 8 bits from client logic.

GMII Reception

1 Gigabit per Second Frame Reception

The timing of normal inbound frame transfer is illustrated in [Figure 8-10](#). At 1 Gb/s speed, the operation of the receiver GMII signals remains identical to that described in [Using the Encrypted Core Level Client-Side GMII for the 1000BASE-X Standard](#).

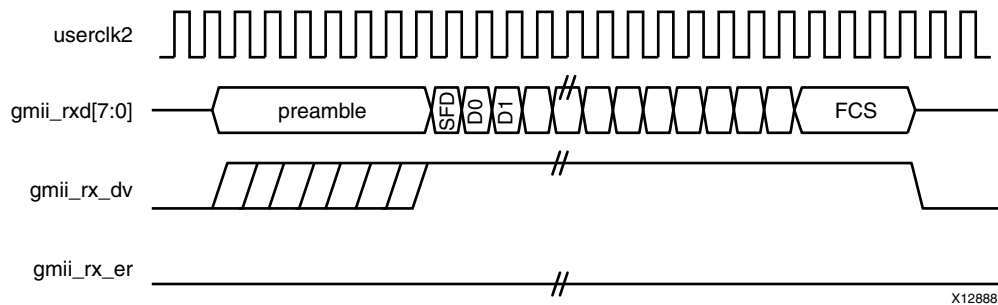


Figure 8-10: GMII Frame Reception at 1 Gb/s

100 Megabit per Second Frame Reception

The operation of the core remains unchanged. When operating at a speed of 100 Mb/s, every byte of the MAC frame (from preamble to the frame check sequence field, inclusive) is repeated for 10 clock periods to achieve the desired bit rate. See [Figure 8-11](#). Only when the core is connected to ENET0/1 in the Zynq-7000 AP SoC processor subsystem, the core will take care of converting the 8 bit from the core to 4-bit MII interface. In other cases, it is the responsibility of the client logic, for example an Ethernet MAC, to sample this data correctly.

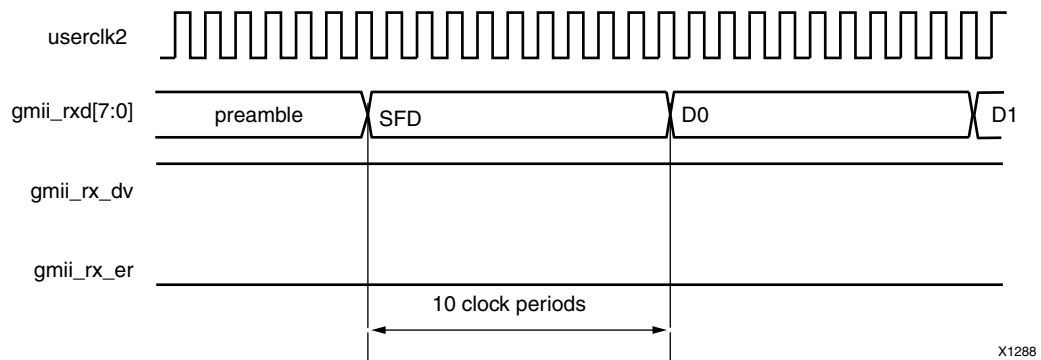


Figure 8-11: GMII Data Reception at 100 Mb/s

10 Megabit per Second Frame Reception

The operation of the core remains unchanged. When operating at a speed of 10 Mb/s, every byte of the MAC frame (from preamble to the frame check sequence field, inclusive) is repeated for 100 clock periods to achieve the desired bit rate. Only when the core is connected to ENET0/1 in the Zynq-7000 AP SoC processor subsystem, the core will take care of converting the 8 bit from the core to 4-bit MII interface. In other cases, it is the responsibility of the client logic (for example, an Ethernet MAC) to sample this data correctly.

Additional Client-Side SGMII Logic

When the core is generated in SGMII or Dynamic Switching mode, the block level of the core contains the SGMII Adaptation Module (this is illustrated in Figure 8-12 for a core using a device specific transceiver as the physical interface). This SGMII adaptation module is described in the remainder of this section.

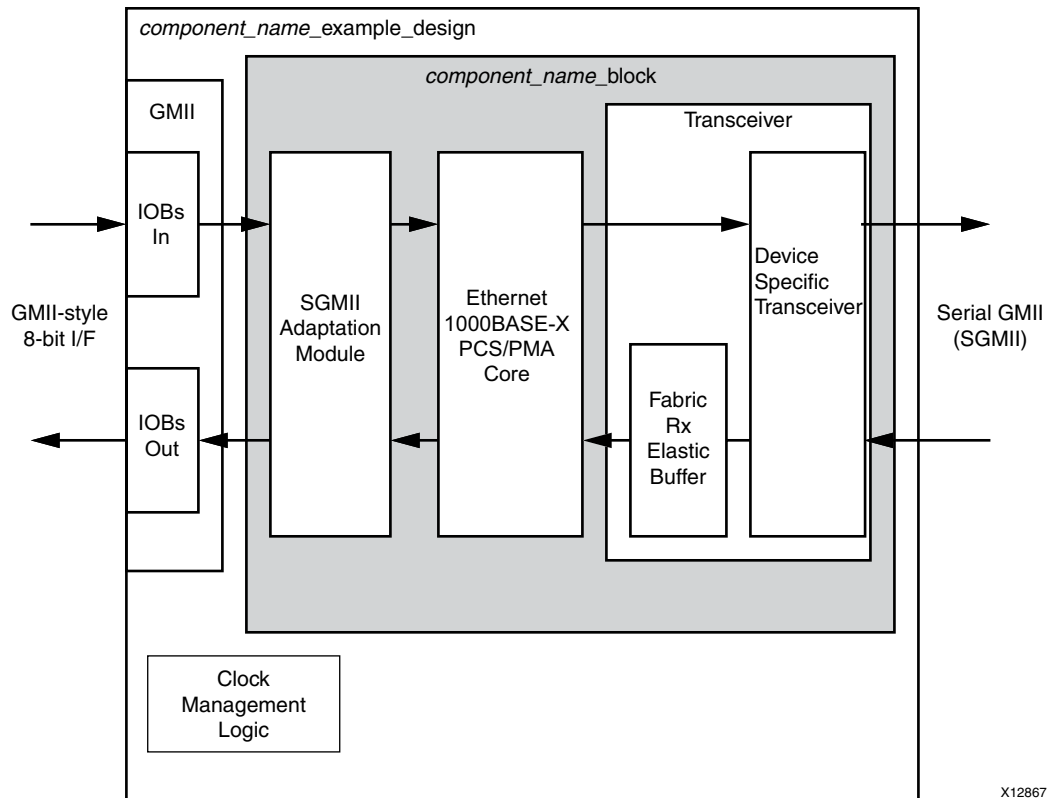


Figure 8-12: Block Level Diagram of an SGMII Example Design

Because the GMII of the core always operates at 125 MHz, the core makes no differentiation between the three SGMII speeds of operation, it always effectively operates at 1 Gb/s. However, as described previously in [Using the Encrypted Core Level Client-Side GMII for the 1000BASE-X Standard](#), at 100 Mb/s, every data byte run through the core is repeated ten times to achieve the required bit rate; at 10 Mb/s, each data byte run through the core is repeated 100 times to achieve the required bit rate. Dealing with this repetition of bytes is the function of the SGMII adaptation module.

The provided SGMII adaptation module ([Figure 8-13](#)) creates a GMII-style interface that drives/samples the GMII data and control signals at the following frequencies:

- 125 MHz when operating at a speed of 1 Gb/s (with no repetition of data bytes)
- 12.5 MHz at a speed of 100 Mb/s (each data byte is repeated and run through the core 10 times)
- 1.25 MHz at a speed of 10 Mb/s (each data byte is repeated and run through the core 100 times)

In the case of the core being connected to ENET0/1 in the Zynq-7000 AP SoC processor subsystem, the SGMII adaptation module does an additional function of converting the 8 bit from the core to 4-bit MII interface and vice versa. The result of the SGMII adaptation module is therefore to create a proprietary interface that is based on GMII (true GMII only operates at a clock frequency of 125 MHz for an ethernet line rate of 1.25 Gb/s). This interface then allows a straightforward internal connection to an Ethernet MAC core when operating in MAC mode or the GMII can be brought out on pads to connect to an external PHY when the core operates in PHY mode. For example, the SGMII adaptation module can be used to interface the Ethernet 1000BASE-X PCS/PMA or SGMII core, operating in SGMII configuration with MAC mode of operation, to the Xilinx Tri-Mode Ethernet MAC core directly (see [Chapter 11, Interfacing to Other Cores](#)). The GMII interface of the SGMII adaptation module can be brought out to the pads and connected to external PHY module that converts GMII to Physical Medium Dependent (PMD) signal when the Ethernet 1000BASEX PCS/PMA or SGMII core, operating in SGMII configuration and PHY mode of operation.

SGMII Adaptation Module Top Level

The SGMII adaptation module is described in several hierarchical submodules as illustrated in [Figure 8-13](#). These submodules are each described in separate HDL files and are described in the following sections.

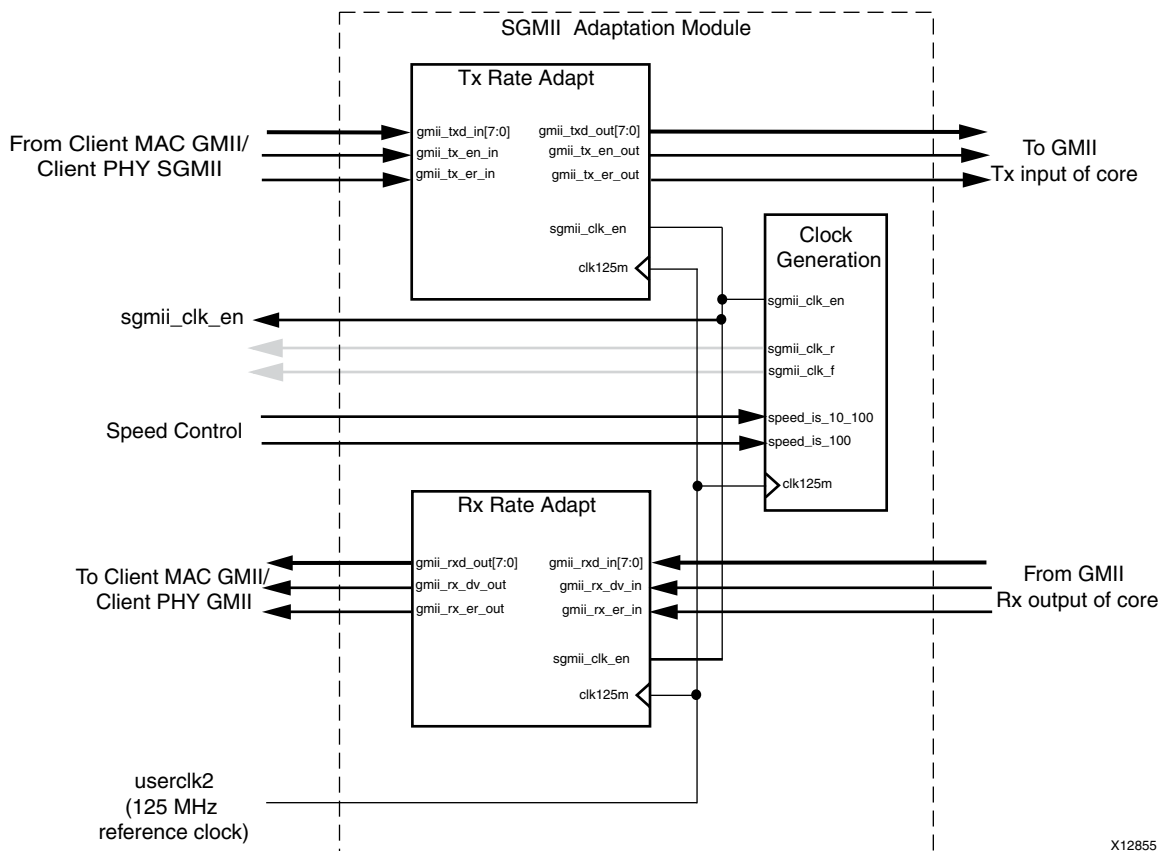


Figure 8-13: SGMII Adaptation Module

X12855

Transmitter Rate Adaptation Module

Interfacing with Client Proprietary Logic/ IP Catalog Tri-Mode Ethernet MAC

This module accepts transmitter data from the GMII-style interface from the attached client MAC/External PHY, and samples the input data on the 125 MHz reference clock, `clk125m`. This sampled data can then be connected directly to the input GMII of the Ethernet 1000BASE-X PCS/PMA, or SGMII netlist. The 1 Gb/s and 100 Mb/s cases are illustrated in Figure 8-14.

At all speeds, the client MAC/External PHY logic should drive the GMII transmitter data synchronously to the rising edge of the 125 MHz reference clock while using `sgmii_clk_en` (derived from the Clock Generation module) as a clock enable. The frequency of this clock enable signal ensures the correct data rate and correct data sampling between the two devices.

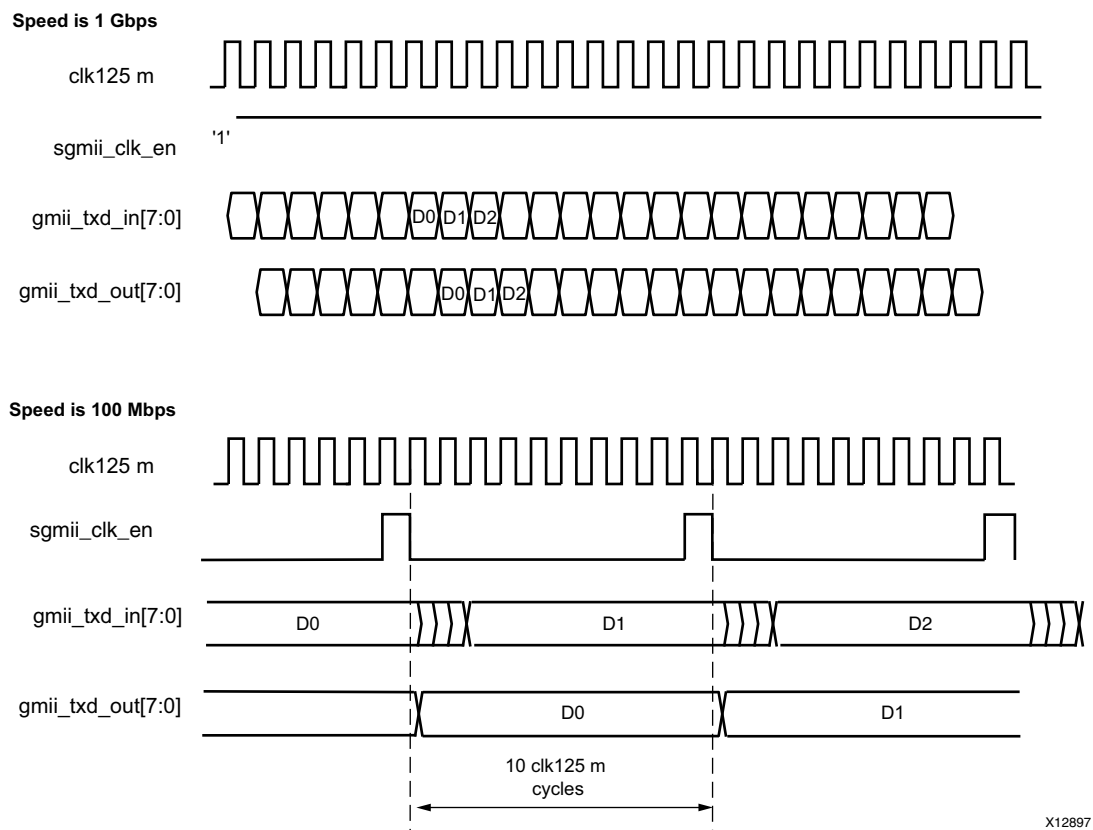


Figure 8-14: Transmitter Rate Adaptation Module Data Sampling

Interfacing with ENET0/1 in Zynq-7000 Device PS

When the speed is 1Gb/s, the data is received on the 125 MHz clock (`clk125m`). When a speed of 10/100 Mb/s is selected, 4 bits of MII are received on the LSB 4 bits of the GMII interface. This interface is converted to 8 bits by sampling with `sgmii_ddr_clk_en` (internally derived from the Clock Generation module).

This 8-bit interface should drive the GMII transmitter data synchronously to the rising edge of the 125 MHz reference clock while using `sgmii_clk_en` (internally derived from the Clock Generation module) as a clock enable. It is possible that the SFD could have been skewed across two separate bytes, so 8-bit Start of Frame Delimiter (SFD) code is detected, and if required, it is realigned across the 8-bit datapath. The 1 Gb/s and 100 Mb/s cases are illustrated in [Figure 8-15](#).

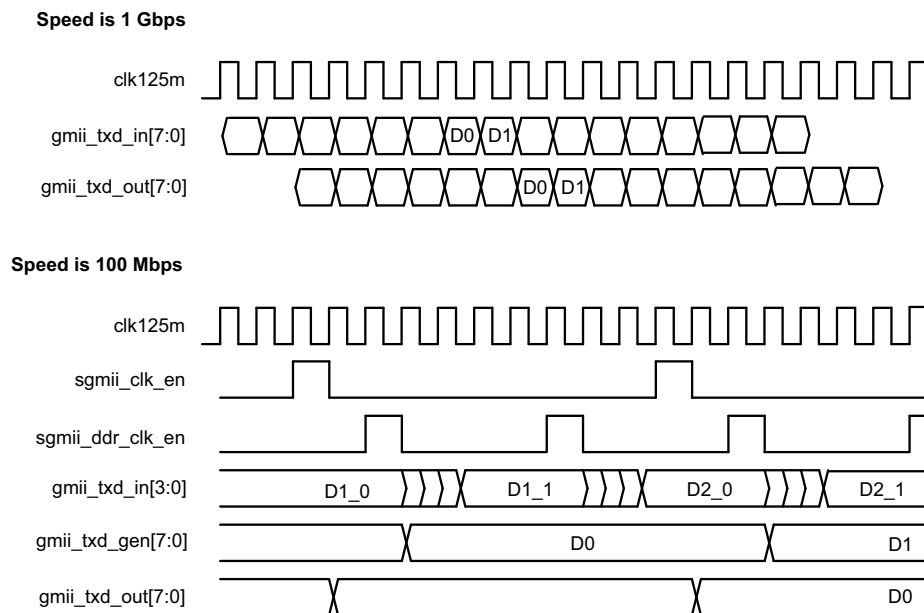


Figure 8-15: Transmitter Rate Adaptation Module Data Sampling

Receiver Rate Adaptation Module

Interfacing with Client Proprietary Logic/IP Catalog Tri-Mode Ethernet MAC

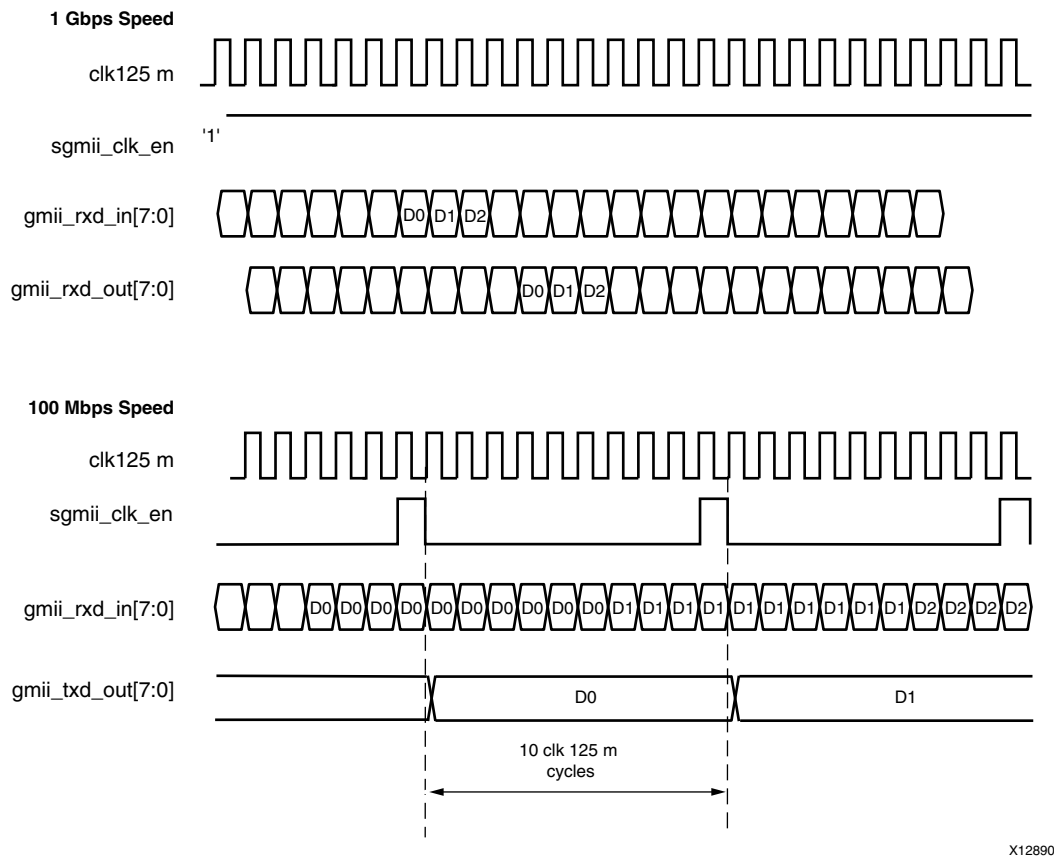
This module accepts received data from the Ethernet 1000BASE-X PCS or SGMII core. This data is sampled and sent out of the GMII receiver interface for the attached client MAC/External PHY. The 1 Gb/s and 100 Mb/s cases are illustrated in [Figure 8-16](#).

At 1 Gb/s, the data is valid on every clock cycle of the 125 MHz reference clock (`clk125m`). Data received from the core is clocked straight through the Receiver Rate Adaptation module.

At 100 Mb/s, the data is repeated for a 10 clock period duration of `clk125m`; at 10 Mb/s, the data is repeated for a 100 clock period duration of `clk125m`. The Receiver Rate Adaptation Module samples this data using the `sgmii_clk_en` clock enable.

The Receiver Rate Adaptation module also performs a second function that accounts for the latency inferred in Figure 8-16. The 8-bit Start of Frame Delimiter (SFD) code is detected, and if required, it is realigned across the 8-bit datapath of `gmii_rxd_out[7:0]` before being presented to the attached client MAC. It is possible that this SFD could have been skewed across two separate bytes by MACs operating on a 4-bit datapath.

At all speeds, the client MAC/External PHY logic should sample the GMII receiver data synchronously to the rising edge of the 125 MHz reference clock while using `sgmii_clk_en` (derived from the Clock Generation module) as a clock enable. The frequency of the `sgmii_clk_en` clock enable signal ensures the correct data rate and correct data sampling between the two devices.



X12890

Figure 8-16: Receiver Rate Adaptation Module Data Sampling

Interfacing with ENET0/1 in Zynq-7000 Device PS

This module accepts received data from the core. This data is sampled and sent out of the GMII receiver interface for the attached external PHY. The 1 Gb/s and 100 Mb/s cases are illustrated in Figure 8-17.

At 1 Gb/s the data is valid on every clock cycle of the 125 MHz reference clock (`clk125m`). Data received from the core is clocked straight through the Receiver Rate Adaptation module.

At 100 Mb/s, the data is repeated for a 10 clock period duration of `clk125m`; at 10 Mb/s, the data is repeated for a 100 clock period duration of `clk125m`. The Receiver Rate Adaptation Module samples this data using the `sgmii_clk_en` clock enable generated internally in clock generation module. Then the lower half of the byte is sent on the LSB 4 bits of `gmii_rxd_out[3:0]` followed by the upper nibble. This operation is done on `sgmii_ddr_clk_en` generated internally in clock generation module.

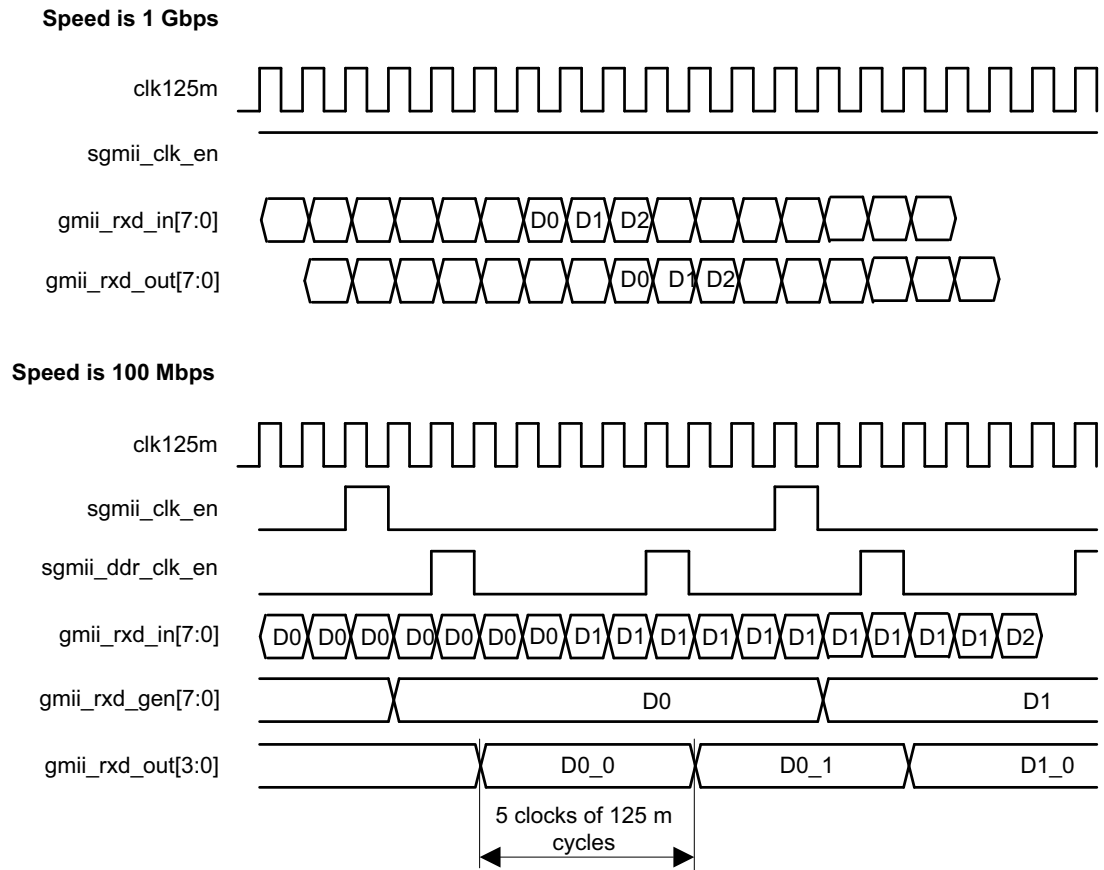


Figure 8-17: Receiver Rate Adaptation Module Data Sampling

Clock Generation

Interfacing with Client Proprietary Logic/IP Catalog Tri-Mode Ethernet MAC

This module creates the `sgmii_clk_en` clock enable signal for use throughout the SGMII adaptation module. Clock enabled frequencies are:

- 125 MHz at an operating speed of 1 Gb/s
- 12.5 MHz at an operating speed of 100 Mb/s
- 1.25 MHz at an operating speed of 10 Mb/s

Figure 8-18 illustrates the output clock enable signal for the Clock Generation module at 1 Gb/s and 100 Mb/s speeds.

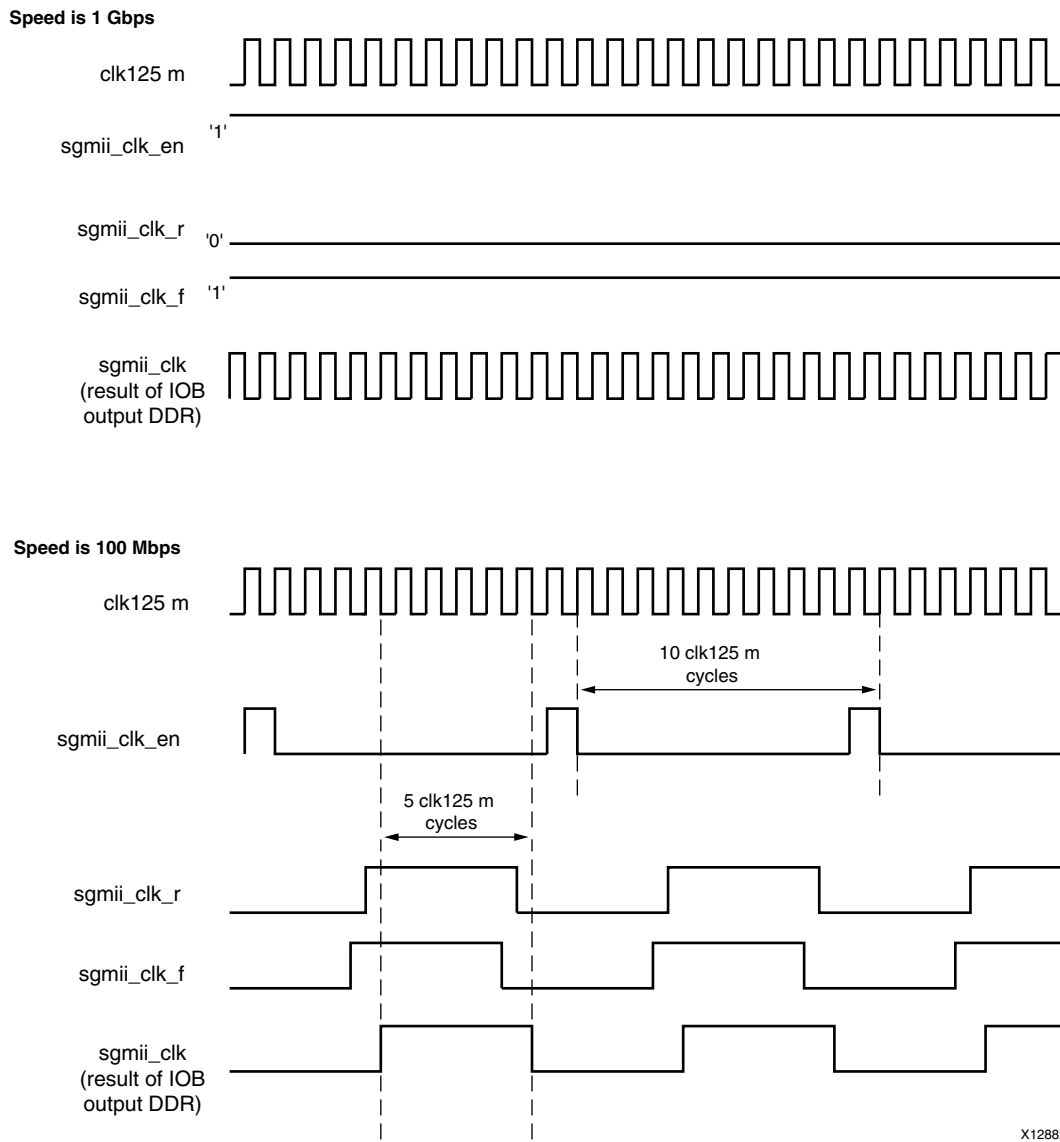


Figure 8-18: Clock Generator Output Clocks and Clock Enable

Figure 8-18 also illustrates the formation of the sgmii_clk_r and sgmii_clk_f signals. These are used only in the example design delivered with the core, where they are routed to a device IOB DDR output register. This provides SGMII clock forwarding at the correct frequency; these signal can be ignored when connecting the core and SGMII Adaptation module to internal logic.

Interfacing with ENET0/1 in Zynq-7000 Device PS

This module creates the `sgmii_clk_en`, `sgmii_ddr_clk_en` clock enable signals for use throughout the SGMII adaptation module. Figure 8-19 illustrates the clock enable signal for the Clock Generation module at 1Gb/s and 100 Mb/s speeds.

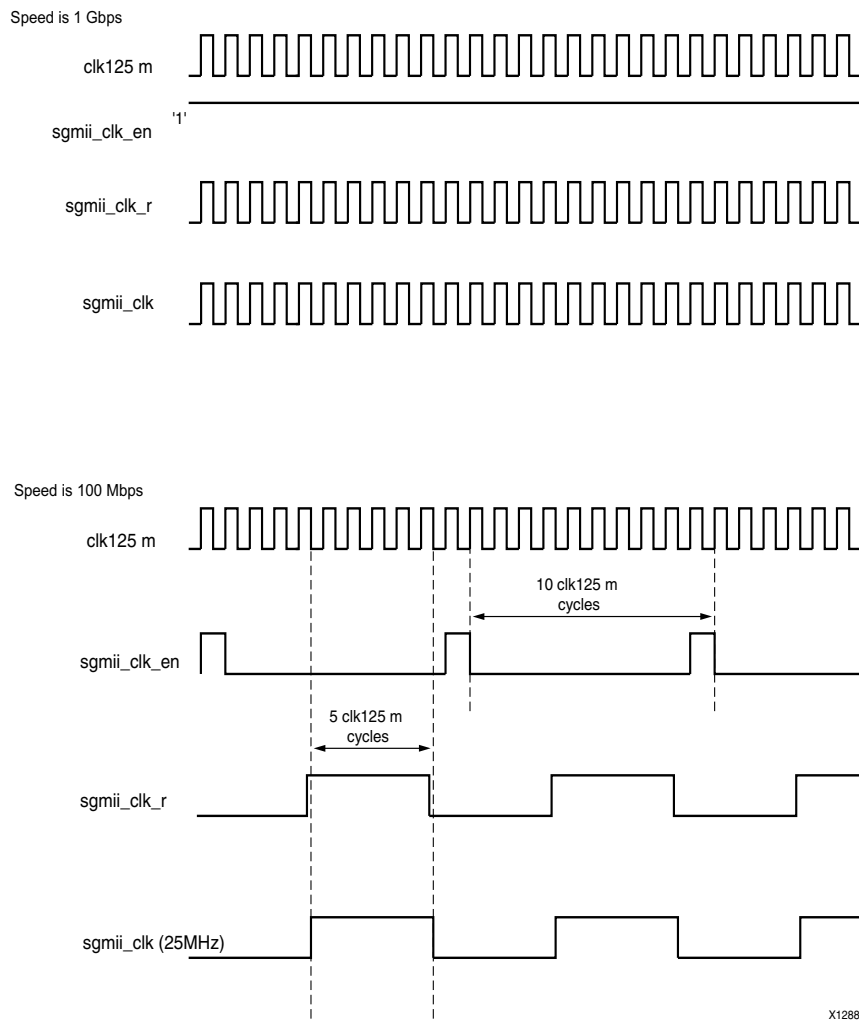


Figure 8-19: Clock Enable Signal for the Clock Generation Module

Figure 8-19 also illustrates the formation of the `sgmii_clk_r` signal. `sgmii_clk_r` should be connected to the `sgmii_clk` port of ENET0/1 core generated.

This provides SGMII clock forwarding at the correct frequency.

Note:

1. `sgmii_clk_f` signal is not used in this case.
2. `sgmii_clk_en` is not given as an output but used internally within SGMII adaptation module.

sgmii_clk_r frequencies for various modes of operation are:

- 125 MHz at an operating speed of 1 Gb/s
- 25 MHz at an operating speed of 100 Mb/s
- 2.5 MHz at an operating speed of 10 Mb/s

Auto-Negotiation

This chapter provides general guidelines for using the auto-negotiation function of the Ethernet 1000BASE-X PCS/PMA or SGMII core. Auto-Negotiation is controlled and monitored through the PCS Management registers. For more information, see [Register Space in Chapter 2](#).

Overview of Operation

For either standard, when considering auto-negotiation between two connected devices, it must be remembered that:

- Auto-Negotiation must be either enabled in *both* devices, or
- Auto-Negotiation must be disabled in *both* devices.

1000BASE-X Standard

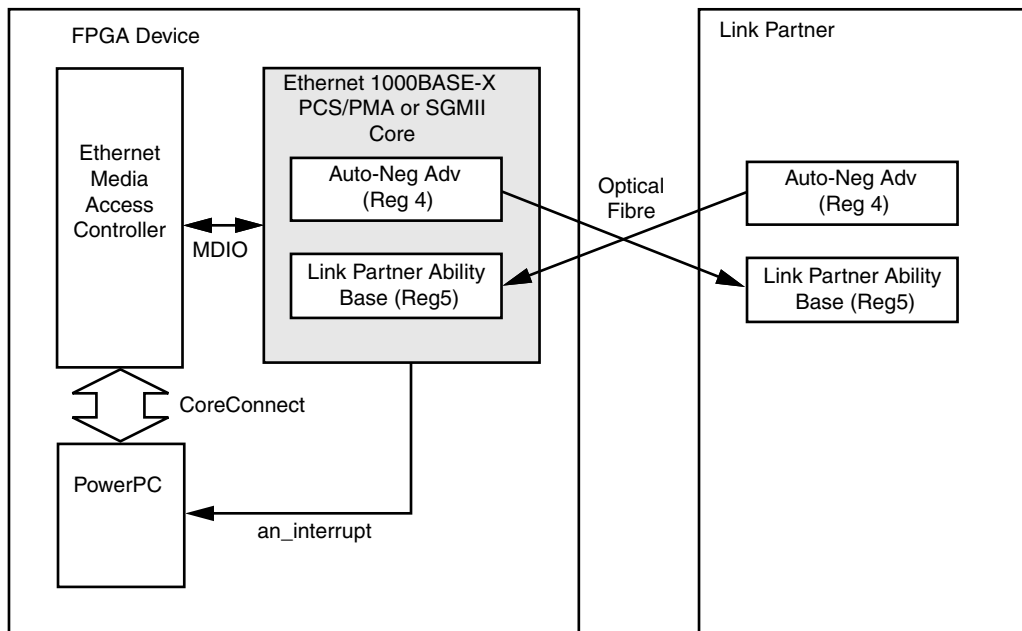


Figure 9-1: 1000BASE-X Auto-Negotiation Overview

IEEE 802.3-2008 clause 37 describes the 1000BASE-X auto-negotiation function that allows a device to advertise the modes of operation that it supports to a device at the remote end of a link segment (the link partner) and to detect corresponding operational modes that the link partner advertises. Figure 9-1 illustrates the operation of 1000BASE-X auto-negotiation.

The following describes typical operation when auto-negotiation is enabled.

1. Auto-Negotiation starts automatically when any of the following conditions are met.
 - Power-up/reset
 - Upon loss of synchronization
 - The link partner initiates auto-negotiation
 - An auto-negotiation Restart is requested (See [MDIO Register 0: Control Register](#) and `an_restart_config` in [Table 2-23](#).)
2. During auto-negotiation, the contents of the Auto-Negotiation Advertisement register are transferred to the link partner.

This register is writable through the MDIO, therefore enabling software control of the systems advertised abilities. See [MDIO Register 4: Auto-Negotiation Advertisement](#) for more information.

This register is also writable through dedicated interface signal `an_adv_config_vector`. If optional MDIO is present, the additional signal `an_adv_config_valid` quantifies the contents of `an_adv_config_vector`. See definitions of `an_adv_config_vector` and `an_adv_config_valid` in [Table 2-23](#) for more information.

Information provided in this register includes:

- Fault Condition signaling
 - Duplex Mode
 - Flow Control capabilities for the attached Ethernet MAC.
3. The advertised abilities of the Link Partner are simultaneously transferred into the Auto-Negotiation Link Partner Ability Base register.

This register contains the same information as in the Auto-Negotiation Advertisement register. See [MDIO Register 5: Auto-Negotiation Link Partner Base](#) for more information. Remote Fault and pause status bits of this register are also provided in `status_vector`.

4. Under normal conditions, this completes the auto-negotiation information exchange.

It is now the responsibility of system management (for example, software running on an embedded PowerPC® or MicroBlaze™ processor) to complete the cycle. The results of the auto-negotiation should be read from Auto-Negotiation Link Partner Ability Base register. OR by reading the `remote_fault` and pause status bits of `status_vector` if MDIO is not present. Other networking components, such as an attached Ethernet MAC, should be configured accordingly. See [MDIO Register 5: Auto-Negotiation Link Partner Base](#) for more information.

There are two methods that a host processor uses to learn of the completion of an auto-negotiation cycle:

- Polling the auto-negotiation completion bit 1.5 in the Status register (Register 1).
- Using the auto-negotiation interrupt port of the core (see [Using the Auto-Negotiation Interrupt](#)).

SGMII Standard

Using the SGMII MAC Mode Configuration to Interface to an External BASE-T PHY with SGMII Interface

Figure 9-2 illustrates the operation of SGMII auto-negotiation as described in [Overview of Operation](#). Additional information about SGMII Standard auto-negotiation is provided in the following sections.

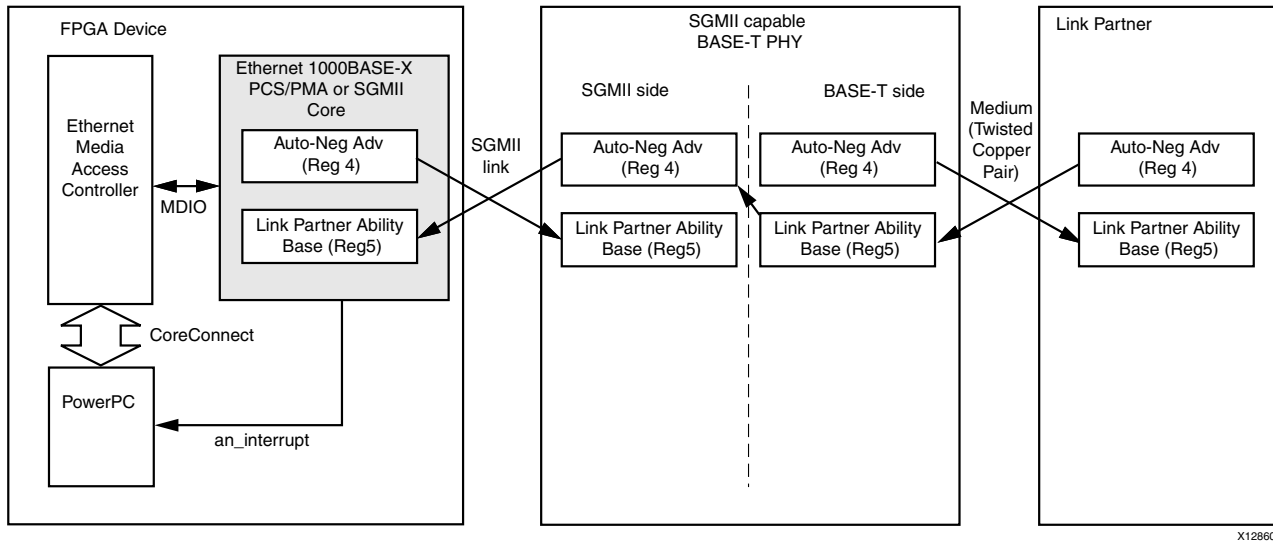


Figure 9-2: SGMII Auto-Negotiation in MAC Mode

The SGMII capable PHY has two distinctive sides to auto-negotiation.

- The PHY performs auto-negotiation with its link partner using the relevant auto-negotiation standard for the chosen medium (BASE-T auto-negotiation is illustrated in [Figure 9-2](#), using a twisted copper pair as its medium). This resolves the operational speed and duplex mode with the link partner.
- The PHY then passes the results of the auto-negotiation process with the link partner to the Ethernet 1000BASE-X PCS/PMA or SGMII core (in SGMII mode), by leveraging the 1000BASE-X auto-negotiation specification described in [Figure 9-1](#). This transfers the results of the Link Partner auto-negotiation across the SGMII and is the only auto-negotiation observed by the core.

This SGMII auto-negotiation function, summarized previously, leverages the 1000BASEX PCS/PMA auto-negotiation function but contains two differences.

- The duration of the Link Timer of the SGMII auto-negotiation is shrunk from 10 ms to 1.6 ms so that the entire auto-negotiation cycle is much faster.

- The information exchanged is different and now contains speed resolution in addition to duplex mode. See [MDIO Register 5: Auto-Negotiation Link Partner Base](#). Speed and Duplex status bits of this register are also provided in `status_vector`.
- There are no other differences and dealing with the results of auto-negotiation can be handled as described previously in [Figure 9-1](#).

Using Both the SGMII MAC Mode and SGMII PHY Mode Configurations to interface to an External BASE-T PHY with a GMII interface

[Figure 9-3](#) illustrates the operation of SGMII auto-negotiation. Additional information about SGMII Standard auto-negotiation is provided in the following sections.

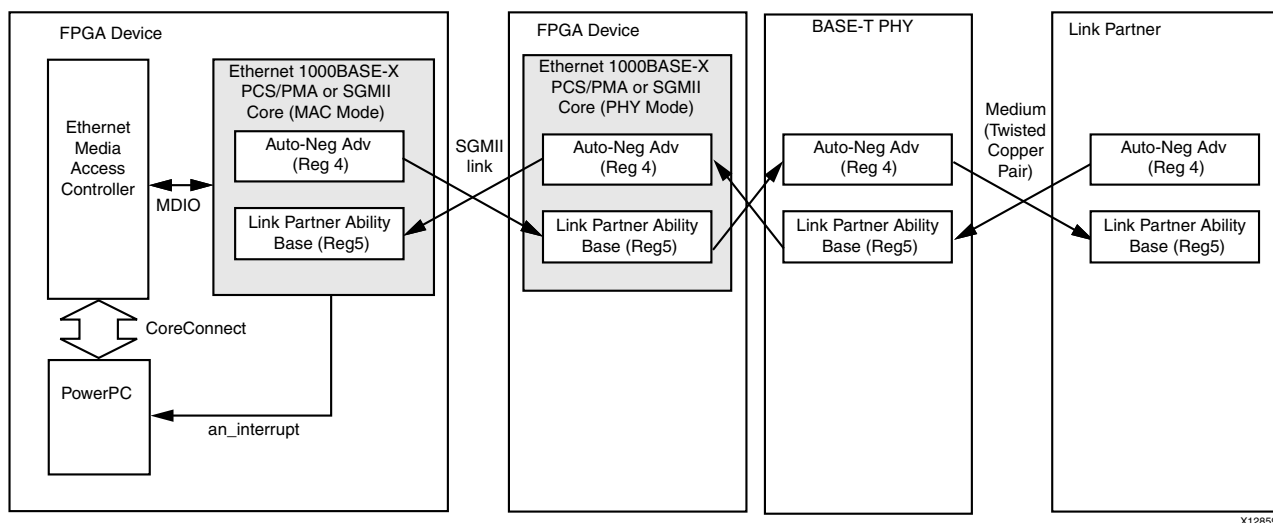


Figure 9-3: SGMII Auto-Negotiation

The SGMII capable PHY has two distinctive sides to auto-negotiation.

- The PHY performs auto-negotiation with its link partner using the relevant auto-negotiation standard for the chosen medium (BASE-T auto-negotiation is illustrated in [Figure 9-3](#), using a twisted copper pair as its medium). This resolves the operational speed and duplex mode with the link partner. The BASE-T PHY transfers the link partner abilities through the MDIO interface to the Ethernet 1000 BASE-X PCS/PMA or SGMII core (in SGMII configuration and PHY mode).
- The Ethernet 1000 BASE-X PCS/PMA or SGMII core (in SGMII configuration and PHY mode) then passes the results of the auto-negotiation process to the Ethernet 1000BASEX PCS/PMA or SGMII core (in SGMII configuration and MAC mode), by leveraging the 1000BASE-X auto-negotiation specification described in [Overview of Operation](#). This transfers the results of the Link Partner auto-negotiation across the SGMII and is the only auto-negotiation observed by the core.

This SGMII auto-negotiation function, summarized previously, leverages the 1000BASEX PCS/PMA auto-negotiation function but contains two differences.

- The duration of the Link Timer of the SGMII auto-negotiation is shrunk from 10 ms to 1.6 ms so that the entire auto-negotiation cycle is much faster.
- The information exchanged is different and now contains speed resolution in addition to duplex mode. See [MDIO Register 5: Auto-Negotiation Link Partner Base](#). There are no other differences and dealing with the results of auto-negotiation can be handled as described previously in [Overview of Operation](#).

Using the Auto-Negotiation Interrupt

The auto-negotiation function has an `an_interrupt` port. This is designed to be used with common microprocessor bus architectures (for example, the CoreConnect bus interfacing to a MicroBlaze™ processor).

The operation of this port is enabled or disabled and cleared through the MDIO Register 16, the Vendor-specific Auto-Negotiation Interrupt Control register.

- When disabled, this port is permanently tied to logic 0.
- When enabled, this port is set to logic 1 following the completion of an auto-negotiation cycle. It remains High until it is cleared by writing 0 to bit 16.1 (Interrupt Status bit) of the [Register 16: Vendor-Specific Auto-Negotiation Interrupt Control](#).

Use of Clock Correction Sequences in Device Specific Transceivers (1000BASE-X Standard)

The device-specific transceivers are configured by the appropriate transceiver wizard to perform clock correction. The output of the transceiver wizard is provided as part of the example design. Two different clock correction sequences can be employed:

1. The mandatory clock correction sequence is the /I2/ ordered set; this is a two byte code-group sequence formed from /K28.5/ and /D16.2/ characters. The /I2/ ordered-set is present in the inter-frame-gap. These sequences can therefore be removed or inserted by the transceiver receiver elastic buffer without causing frame corruption.

2. The default transceiver wizard configuration for the device-specific transceivers varies across device families. Some of the transceiver wizards enable the `CLK_COR_SEQ_2_USE` attribute. When this is the case, the transceiver is also configured to perform clock correction on the `/K28.5/D21.5/` sequence; this is the first two code-groups from the `/C1/` ordered set (the `/C1/` ordered-set is four code-groups in length).

Because there are no `/I2/` ordered-sets present during much of the auto-negotiation cycle, this provides a method of allowing clock correction to be performed during auto-negotiation.

Because this form of clock correction inserts or removes two-code groups into or from a four-code group sequence, this causes ordered-set fragments to be seen by the cores auto-negotiation state machine. It is therefore important that the transceivers `rxclkcorcnt[2:0]` port is correctly wired up to the core netlist; this indicates a clock correction event (and type) to the core. Using this signal, the cores state machine can interpret the clock-correction fragments and the auto-negotiation function can complete cleanly.

When the device-specific transceivers `CLK_COR_SEQ_2_USE` attribute is not enabled, no clock correction can be performed during much of the auto-negotiation cycle. When this is the case, it is possible that the transceivers receiver elastic buffer could underflow or overflow as asynchronous clock tolerances accumulate. This results in an elastic buffer error. It is therefore important that the transceivers `rxbufstatus[2:0]` port is correctly wired up to the core netlist; this indicates a buffer error event to the core. Using this signal, the cores state machine can interpret the buffer error and the auto-negotiation function can complete cleanly.

Conclusion

The device-specific transceivers can be configured to optionally perform clock correction during the auto-negotiation cycle, and their default configuration varies from family to family. Regardless, if correctly connected, as per the example design, the core state machine can determine the transceivers elastic buffer behavior and auto-negotiation will complete cleanly.

Dynamic Switching of 1000BASE-X and SGMII Standards

This chapter provides general guidelines for using the core to perform dynamic standards switching between 1000BASE-X and SGMII. The core only provides this capability if generated with the appropriate option, as described in [Chapter 13, Customizing and Generating the Core](#).

Typical Application

[Figure 10-1](#) illustrates a typical application for the Ethernet 1000BASE-X PCS/PMA or SGMII core with the ability to dynamically switch between 1000BASE-X and SGMII standards.

The FPGA is shown connected to an external, off-the-shelf PHY with the ability to perform both BASE-X and BASE-T standards.

- The core must operate in 1000BASE-X mode to use the optical fiber.
- The core must operate in SGMII mode to provide BASE-T functionality and use the twisted copper pair.

The GMII of the Ethernet 1000BASE-X PCS/PMA or SGMII core is shown connected to an embedded Ethernet Media Access Controller (MAC), for example the Tri-Mode Ethernet MAC core from Xilinx.

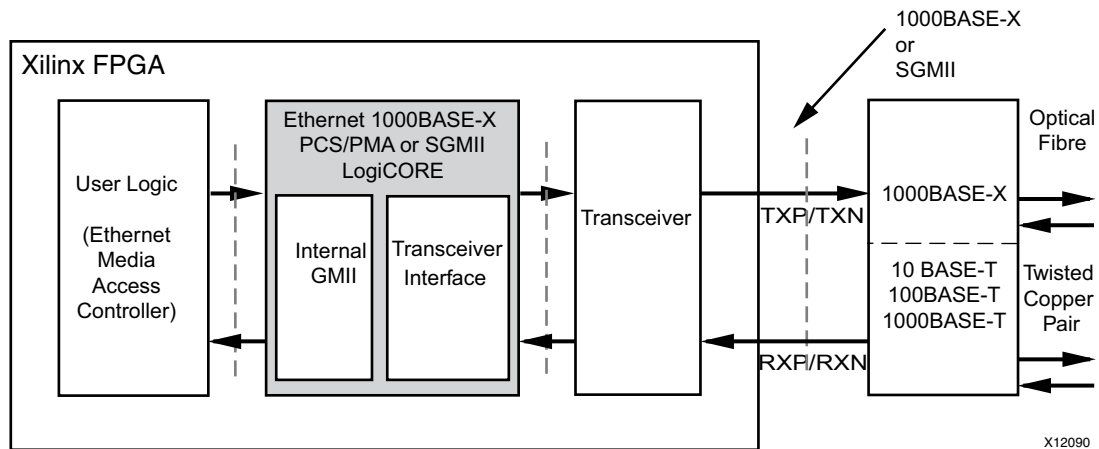


Figure 10-1: Typical Application for Dynamic Switching

Operation of the Core

Selecting the Power-On / Reset Standard

The external port of the core, `basex_or_sgmi` (see [Dynamic Switching Signal Pinout](#)), selects the default standard of the core as follows:

- Tie to logic 0 in the core instantiation. The core powers-up and comes out of a reset cycle operating in the 1000BASE-X standard.
- Tie to logic 1 in the core instantiation. The core powers-up and comes out of a reset cycle operating in the SGMII standard.

The `basex_or_sgmi` port of the core can be dynamically driven. In this configuration, it is possible to drive a logical value onto the port, followed by a core reset cycle to switch the core to the desired standard. However, it is expected that the standard will be switched through the MDIO Management registers.

Switching the Standard Using MDIO

The 1000BASE-X or SGMII standard of the core can be switched at any time by writing to the . Following completion of this write, the MDIO Management registers immediately switch.

- Core set to 1000BASE-X standard. Management registers 0 through 16 should be interpreted according to [1000BASE-X Standard Using the Optional Auto-Negotiation](#).
- Core set to SGMII standard. Management registers 0 through 16 should be interpreted according to [SGMII Standard Using the Optional Auto-Negotiation](#).

Auto-Negotiation State Machine

- Core set to the 1000BASE-X standard. The auto-negotiation state machine operates as described in [1000BASE-X Standard](#).
- Core set to perform the SGMII standard. The auto-negotiation state machine operates as described in [SGMII Standard](#).
- Standard is switched during an auto-negotiation sequence. The auto-negotiation state machine does not immediately switch standards, but attempt to continue to completion at the original standard.
- Switching the standard using MDIO. This does not cause auto-negotiation to automatically restart. Xilinx recommends that after switching to a new standard using an MDIO write, immediately perform the following:
 - If you have switched to the 1000BASE-X standard, reprogram the Auto-Negotiation Advertisement register (Register 4) to the desired settings.
 - For either standard, restart the Auto-Negotiation sequence by writing to bit 0.9 of the MDIO Control register (Register 0).

Interfacing to Other Cores

The 1000BASE-X PCS/PMA or SGMII core can be integrated in a single device with the Tri-Mode Ethernet MAC core to extend the system functionality to include the Ethernet MAC sublayer. The Tri-Mode Ethernet MAC core provides support for operation at 10 Mb/s, 100 Mb/s, and 1 Gb/s.

A description of the latest available IP update containing the Tri-Mode Ethernet MAC core and instructions can be found in the Tri-Mode Ethernet MAC product Web page:

www.xilinx.com/systemio/temac/index.htm



CAUTION! *The Tri-Mode Ethernet MAC should always be configured for full-duplex operation when used with the 1000BASE-X PCS/PMA or SGMII core. (Latest version of Tri-Mode Ethernet Mac is 8.1.) This constraint is due to the increased latency introduced by the 1000BASE-X PCS/PMA or SGMII core. With half-duplex operation, the MAC response to collisions will be late, violating the Code-Division Multiple Access (CDMA) protocol.*

The Tri-Mode Ethernet MAC core version 8.1 (TEMAC core v8.1, AXI) supports Kintex Ultrascale, Zynq®-7000, Virtex®-7, Kintex®-7, and Artix®-7 devices.

See the following sections as applicable:

- [Integration of the Tri-Mode Ethernet MAC for 1000BASE-X Operation](#)
- [Integration of the Tri-Mode Ethernet MAC for Tri-speed SGMII Operation](#)

The 1000BASE-X PCS/PMA or SGMII core can be integrated in a single device with the either of the Ethernet MAC (ENET0/ENET1) instances in the Zynq-7000 device processor subsystem to extend the system functionality to include the Ethernet MAC sublayer. ENET0/1 MACs provide support for operation at 10 Mb/s, 100 Mb/s, and 1 Gb/s.

See the following sections as applicable:

- [Integration of the Zynq-7000 Device PS ENET0/1 for 1000BASE-X Operation](#)
- [Integration of the Zynq-7000 Device PS ENET0/1 for Tri-speed SGMII Operation](#)

Integration of the Tri-Mode Ethernet MAC for 1000BASE-X Operation

In this section, it is assumed that the Tri-Mode Ethernet MAC core is generated with only 1 Gb/s Ethernet speed and full-duplex only support. This provides the most optimal solution.

Integration of the Tri-Mode Ethernet MAC to Provide 1000BASE-X PCS with TBI

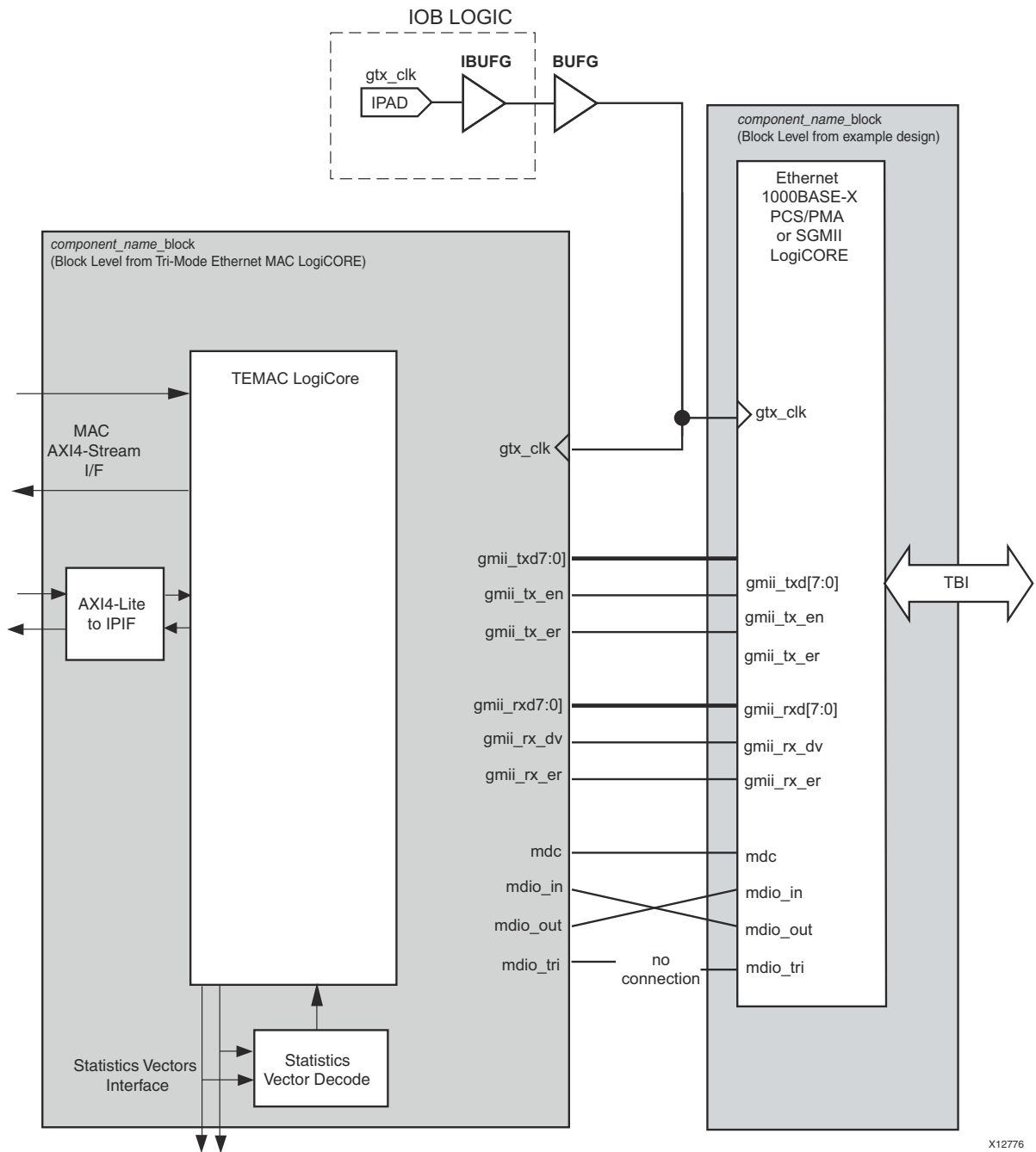
Figure 11-1 illustrates the connections and clock management logic required to interface the Ethernet 1000BASE-X PCS/PMA or SGMII core (when used in 1000BASE-X mode with the parallel TBI) to the Tri-Mode Ethernet MAC core (TEMAC core v5.1 and later, AXI).



IMPORTANT: *TEMAC core v5.1 and later, Advanced eXtensible Interface (AXI), must be generated with the "interface" variable set as "Internal" for interfacing with Ethernet 1000BASE-X PCS/PMA or SGMII core.*

Features of this configuration include:

- Direct internal connections are made between the GMII interfaces between the two cores.
- If both cores have been generated with the optional management interface, the MDIO port can be connected to that of the Tri-Mode Ethernet MAC core, allowing the MAC to access the embedded configuration and status registers of the Ethernet 1000BASE-X PCS/PMA or SGMII core.
- Due to the embedded Receiver Elastic Buffer in the Ethernet 1000BASE-X PCS/PMA, the entire GMII is synchronous to a single clock domain. Therefore, `gtx_clk` is used as the 125 MHz reference clock for both cores, and the transmitter and receiver logic of the Tri-Mode Ethernet MAC core operates in the same clock domain.



X12776

Figure 11-1: AXI Tri-Mode Ethernet MAC Extended to Include 1000BASE-X PCS with TBI

Integration of the Tri-Mode Ethernet MAC to Provide 1000BASE-X Using Transceivers

The following sections describe Tri-Mode Ethernet MAC Core (TEMAC Core v5.1 and later, AXI) for Zynq-7000, Virtex-7, Kintex-7, and Artix-7 devices.

Virtex-7 Devices

Figure 11-2 illustrates the connections and clock management logic required to interface the Ethernet 1000BASE-X PCS/PMA or SGMII core (when used in 1000BASE-X mode) to the Tri-Mode Ethernet MAC core (TEMAC core v5.1 and later, AXI).

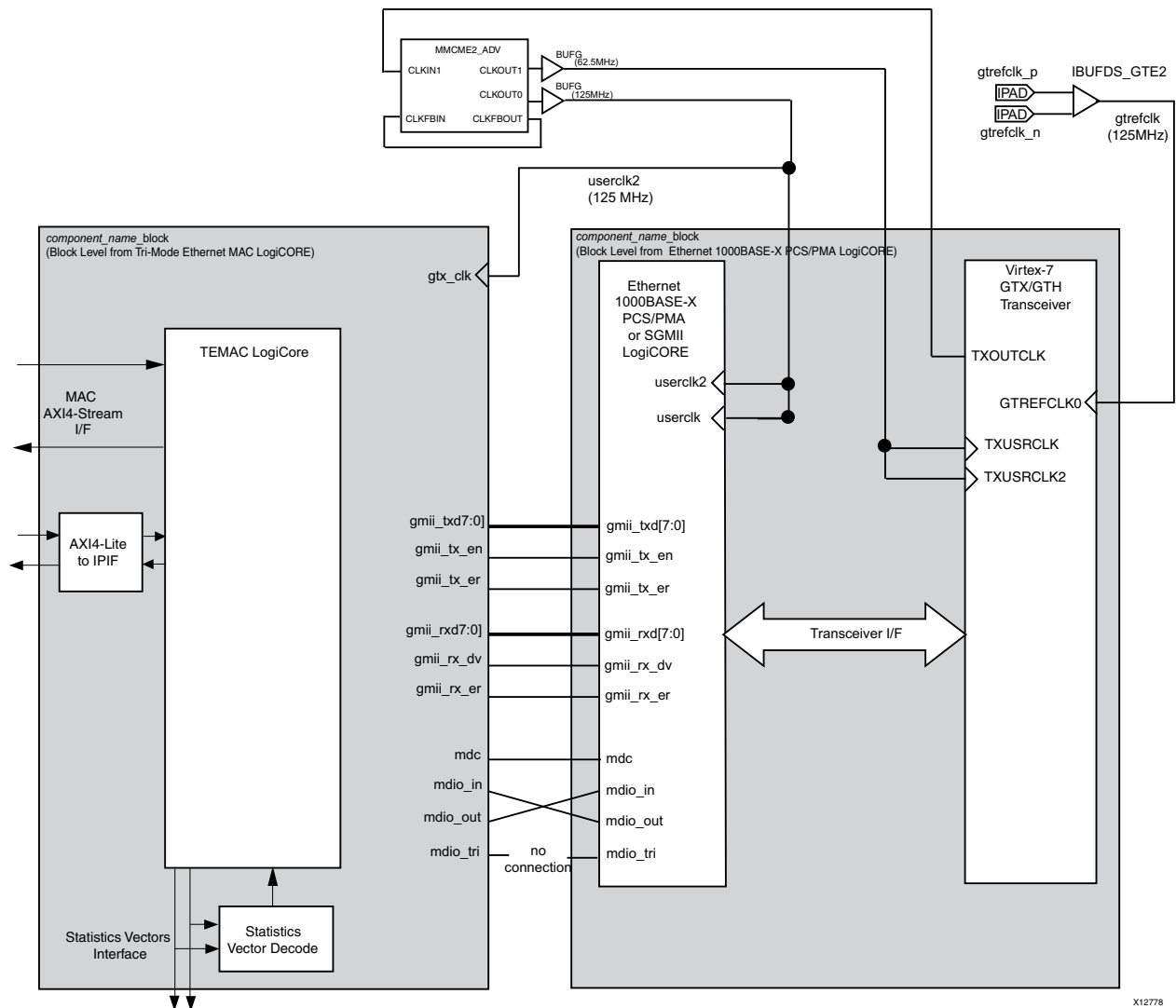


Figure 11-2: AXI Tri-Mode Ethernet MAC Extended to Include 1000BASE-X PCS and PMA Using a Virtex-7 FPGA GTX/GTH Transceiver

Features of this configuration include:

- Observe that the block level of the TEMAC is instantiated. This provides the MAC with extra functionality that is not provided by the TEMAC core netlist. When using the MAC to connect the 1000BASE-X core, the “Internal” PHY Interface mode must be selected from the TEMAC Vivado® IDE prior to core generation. See the TEMAC documentation.
- Direct internal connections are made between the GMII interfaces between the two cores.
- If both cores have been generated with the optional management interface, the MDIO port can be connected up to that of the Tri-Mode Ethernet MAC core, allowing the MAC to access the embedded configuration and status registers of the Ethernet 1000BASE-X PCS/PMA or SGMII core.
- Because of the embedded Receiver Elastic Buffer in the transceiver, the entire GMII is synchronous to a single clock domain. Therefore `userclk2` is used as the 125 MHz reference clock for both cores, and the transmitter and receiver.

Kintex-7 and Zynq-7000 Devices

Figure 11-3 illustrates the connections and clock management logic required to interface the Ethernet 1000BASE-X PCS/PMA or SGMII core (when used in 1000BASE-X mode) to the Tri-Mode Ethernet MAC core.

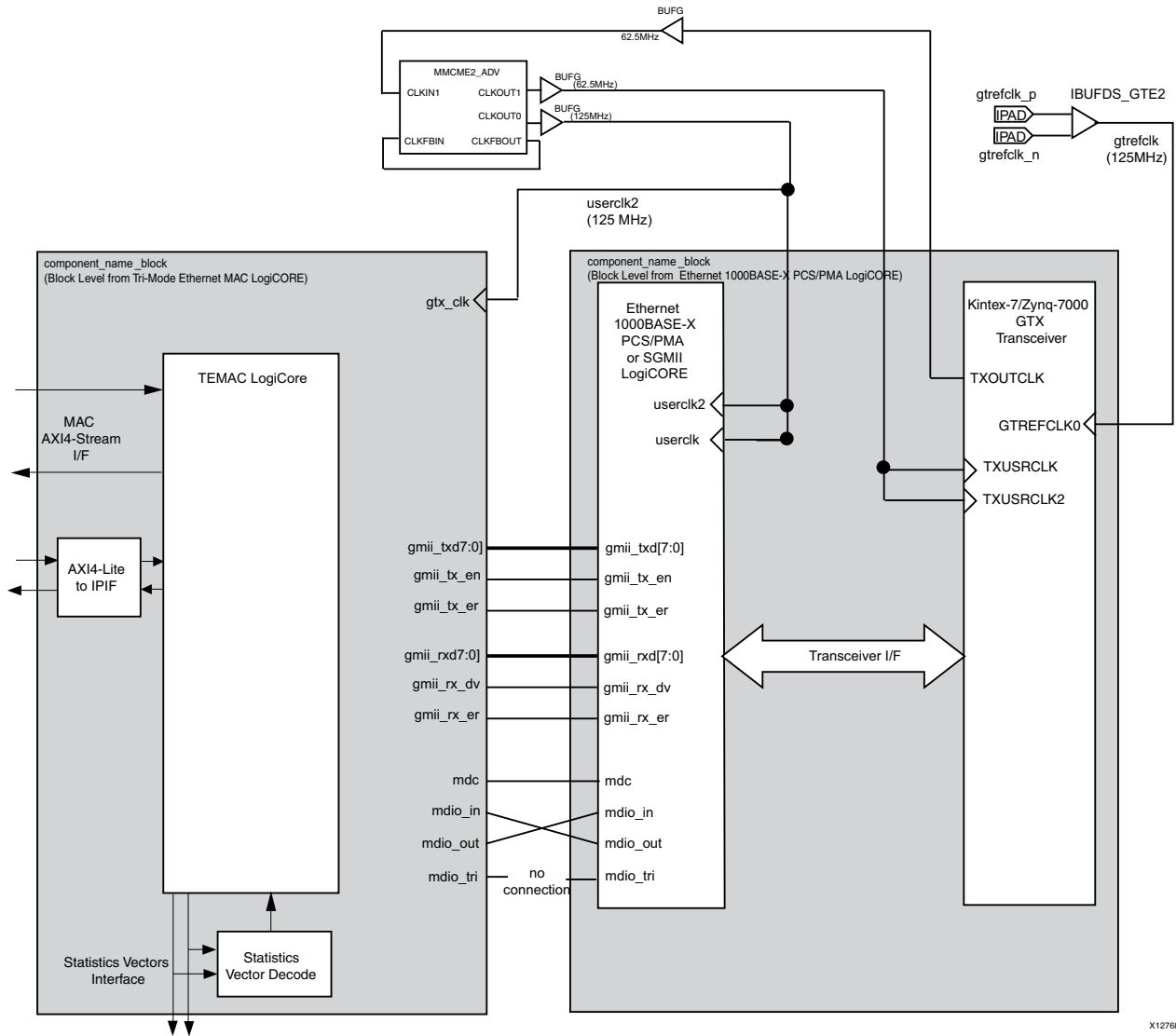


Figure 11-3: AXI Tri-Mode Ethernet MAC Extended to Include 1000BASE-X PCS and PMA Using a Kintex-7 or Zynq-7000 Device GTX Transceiver

Features of this configuration include:

- Observe that the block level of the TEMAC is instantiated. This provides the MAC with extra functionality that is not provided by the TEMAC core netlist. When using the MAC to connect the 1000BASE-X core, the "Internal" PHY Interface mode must be selected from the TEMAC Vivado IDE prior to core generation. See the TEMAC documentation.
- Direct internal connections are made between the GMII interfaces between the two cores.
- If both cores have been generated with the optional management interface, the MDIO port can be connected up to that of the Tri-Mode Ethernet MAC core, allowing the MAC to access the embedded configuration and status registers of the Ethernet 1000BASE-X PCS/PMA or SGMII core.
- Because of the embedded Receiver Elastic Buffer in the transceiver, the entire GMII is synchronous to a single clock domain. Therefore `userclk2` is used as the 125 MHz reference clock for both cores, and the transmitter and receiver.

Artix-7 Devices

Figure 11-4 illustrates the connections and clock management logic required to interface the Ethernet 1000BASE-X PCS/PMA or SGMII core (when used in 1000BASE-X mode) to the Tri-Mode Ethernet MAC core.

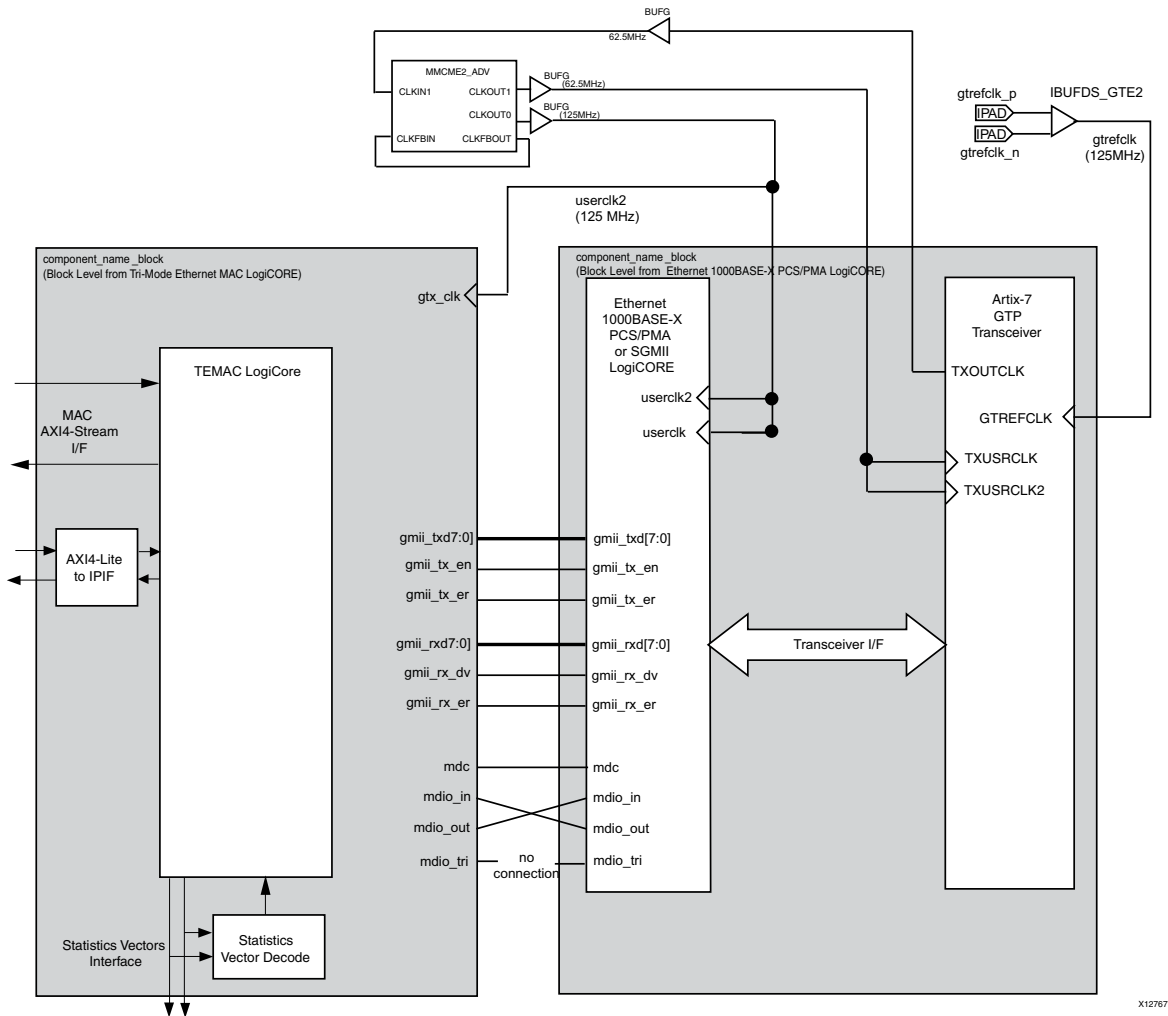


Figure 11-4: AXI Tri-Mode Ethernet MAC Extended to Include 1000BASE-X PCS and PMA Using an Artix-7 FPGA GTP Transceiver

Features of this configuration include:

- Observe that the block level of the TEMAC is instantiated. This provides the MAC with extra functionality that is not provided by the TEMAC core netlist. When using the MAC to connect the 1000BASE-X core, the “Internal” PHY Interface mode must be selected from the TEMAC Vivado IDE prior to core generation. See the TEMAC documentation.
- Direct internal connections are made between the GMII interfaces between the two cores.
- If both cores have been generated with the optional management interface, the MDIO port can be connected up to that of the Tri-Mode Ethernet MAC core, allowing the MAC to access the embedded configuration and status registers of the Ethernet 1000BASE-X PCS/PMA or SGMII core.

- Because of the embedded Receiver Elastic Buffer in the transceiver, the entire GMII is synchronous to a single clock domain. Therefore `userclk2` is used as the 125 MHz reference clock for both cores, and the transmitter and receiver.

Integration of the Tri-Mode Ethernet MAC for Tri-speed SGMII Operation

In this section, it is assumed that the Tri-Mode Ethernet MAC core is generated for Tri-speed operation and full-duplex only support. This provides the most optimal solution.

This section assumes only SGMII or Dynamic switching operation and MAC mode configuration. PHY mode configuration of SGMII is used to interface to a external PHY device. For SGMII in PHY mode configuration, see [SGMII Example Design / Dynamic Switching Example Design with Ten-Bit Interface](#) and [Chapter 6, SGMII / Dynamic Standards Switching with Transceivers](#). For 1000BASEX only designs, see [Integration of the Tri-Mode Ethernet MAC for 1000BASE-X Operation](#).

Integration of the Tri-Mode Ethernet MAC to Provide SGMII (or Dynamic Switching) Functionality with TBI

[Figure 11-5](#) illustrates the connections and clock management logic required to interface the Ethernet 1000BASE-X PCS/PMA or SGMII core (when used in SGMII mode with the TBI) to the Tri-Mode Ethernet MAC core (TEMAC core v5.1 and later, AXI).



IMPORTANT: *TEMAC core v5.1 and later, AXI, must be generated with "interface" variable set as "Internal" for interfacing with Ethernet 1000BASE-X PCS/PMA or SGMII core.*

Features of this configuration include:

- The SGMII Adaptation module, provided in the example design for the Ethernet 1000BASE-X PCS/PMA or SGMII core when generated to the SGMII standard, can be used to interface the two cores.
- If both cores have been generated with the optional management interface, the MDIO port can be connected to that of the Tri-Speed Ethernet MAC core, allowing the MAC to access the embedded configuration and status registers of the Ethernet 1000BASE-X PCS/PMA or SGMII core.

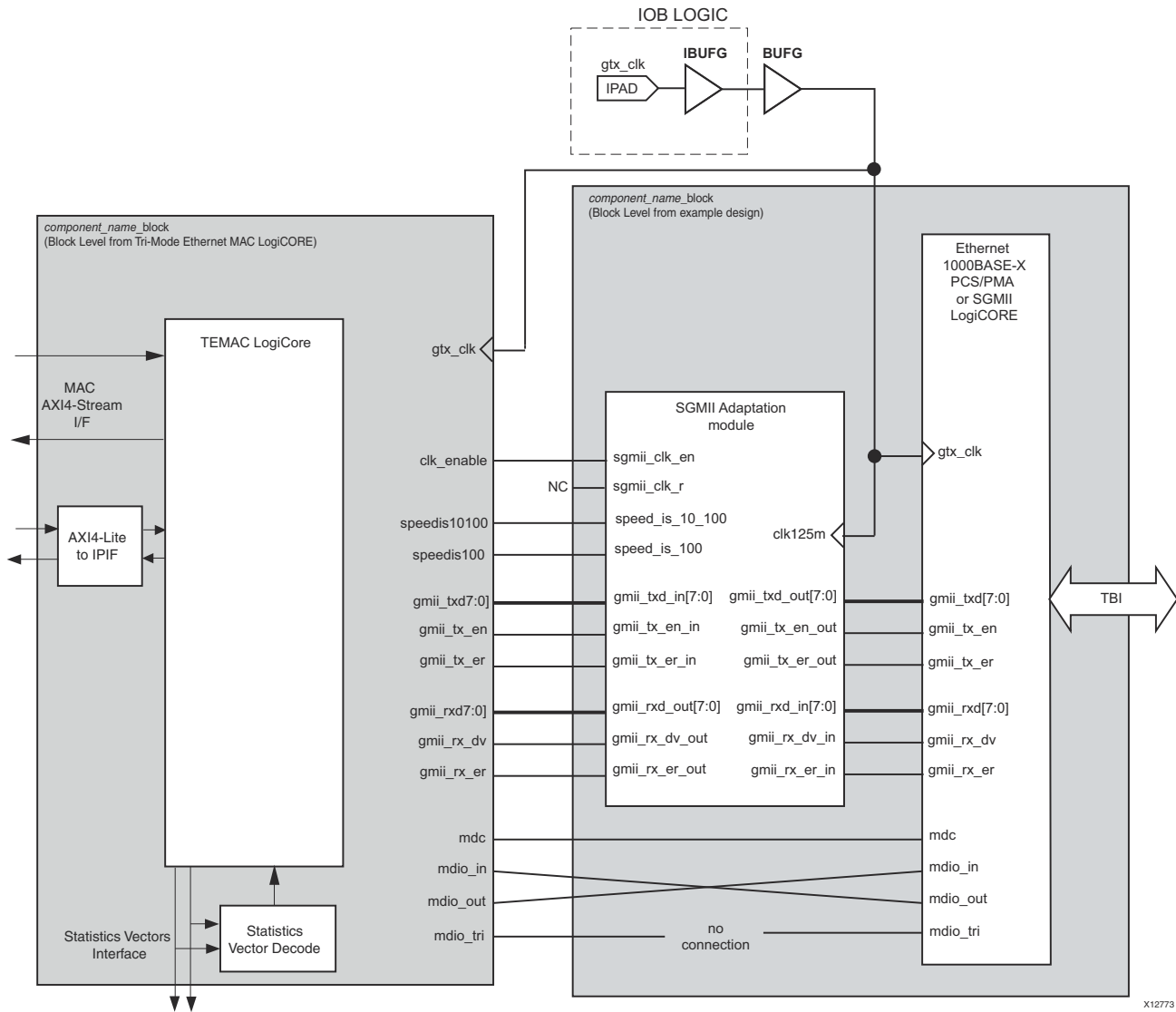


Figure 11-5: AXI Tri-Speed Ethernet MAC Extended to Use an SGMII with TBI

X12773

Integration of the Tri-Mode Ethernet MAC Using Device Specific Transceivers

Virtex-7 Devices

Figure 11-6 illustrates the connections and clock management logic required to interface the Ethernet 1000BASE-X PCS/PMA or SGMII core (when used in SGMII Configuration and MAC mode with the 7 series FPGA transceiver) to the Tri-Mode Ethernet MAC core (TEMAC core v5.1 and later, AXI).

Features of this configuration include:

- Observe that the block level of the TEMAC is instantiated. This provides the MAC with extra functionality that is not provided by the TEMAC core netlist. When using the MAC to connect the 1000BASE-X core, the "Internal" PHY Interface mode must be selected from the TEMAC Vivado IDE prior to core generation. See the TEMAC documentation.
- The SGMII Adaptation module, as provided in the example design for the Ethernet 1000BASE-X PCS/PMA or SGMII core when generated to the SGMII standard and MAC mode, can be used to interface the two cores.
- If both cores have been generated with the optional management interface, the MDIO port can be connected up to that of the Tri-Speed Ethernet MAC core, allowing the MAC to access the embedded configuration and status registers of the Ethernet 1000BASE-X PCS/PMA or SGMII core.
- Because of the Receiver Elastic Buffer, the entire GMII (transmitter and receiver paths) is synchronous to a single clock domain. Therefore, `userclk2` is used as the 125 MHz reference clock for both cores, and the transmitter and receiver logic of the Tri-Speed Ethernet MAC core now operate in the same clock domain.

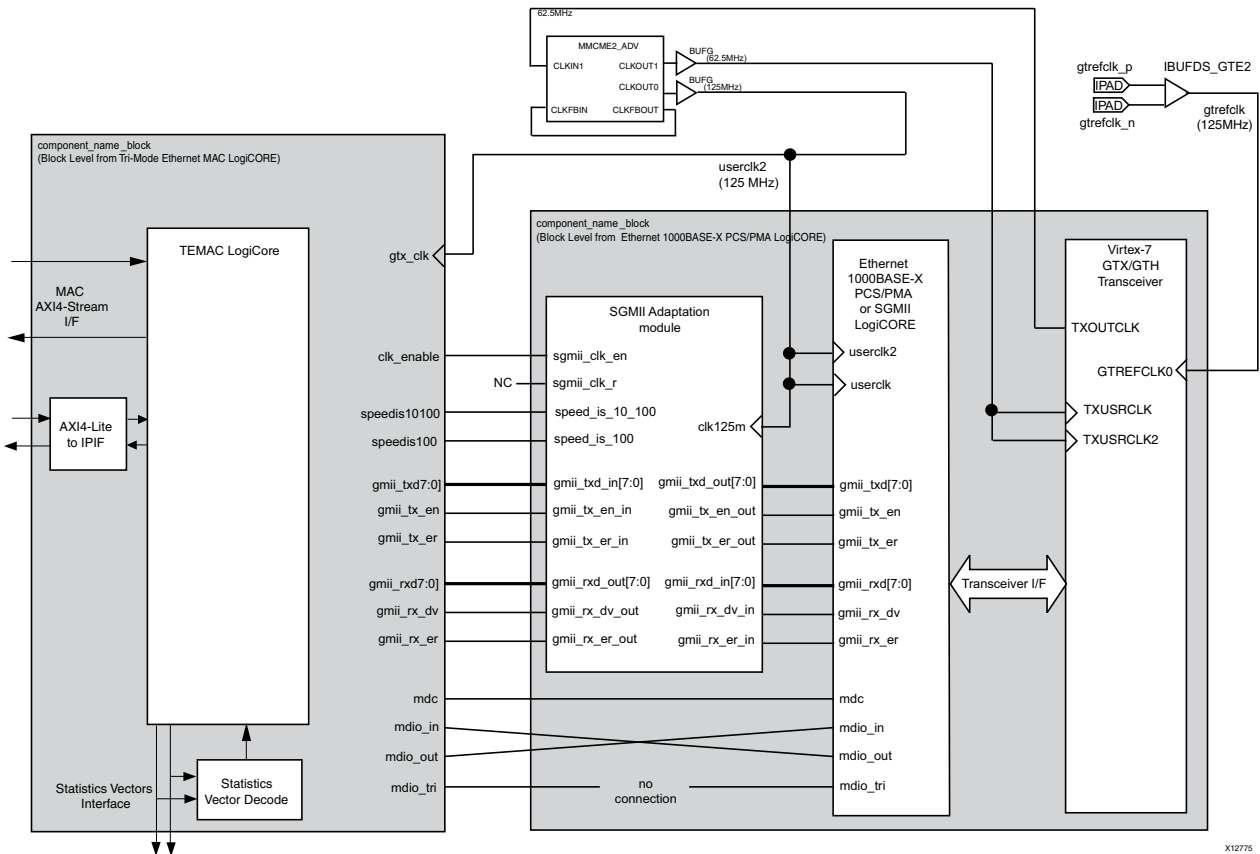


Figure 11-6: Tri-Speed Ethernet MAC v5.1 and Later Extended to Use SGMII in Virtex-7 Devices

Kintex-7 and Zynq-7000 Devices

Figure 11-7 illustrates the connections and clock management logic required to interface the Ethernet 1000BASE-X PCS/PMA or SGMII core (when used in SGMII Configuration and MAC mode with the 7 series FPGA Transceiver) to the Tri-Mode Ethernet MAC core (TEMAC core v5.1 and later, AXI).

Features of this configuration include:

- Observe that the block level of the TEMAC is instantiated. This provides the MAC with extra functionality that is not provided by the TEMAC core netlist. When using the MAC to connect the 1000BASE-X core, the "Internal" PHY Interface mode must be selected from the TEMAC Vivado IDE prior to core generation. See the TEMAC documentation.
- The SGMII Adaptation module, as provided in the example design for the Ethernet 1000BASE-X PCS/PMA or SGMII core when generated to the SGMII standard and MAC mode, can be used to interface the two cores.
- If both cores have been generated with the optional management interface, the MDIO port can be connected up to that of the Tri-Speed Ethernet MAC core, allowing the MAC to access the embedded configuration and status registers of the Ethernet 1000BASE-X PCS/PMA or SGMII core.
- Because of the Receiver Elastic Buffer, the entire GMII (transmitter and receiver paths) is synchronous to a single clock domain. Therefore, `userclk2` is used as the 125 MHz reference clock for both cores, and the transmitter and receiver logic of the Tri-Speed Ethernet MAC core now operate in the same clock domain.

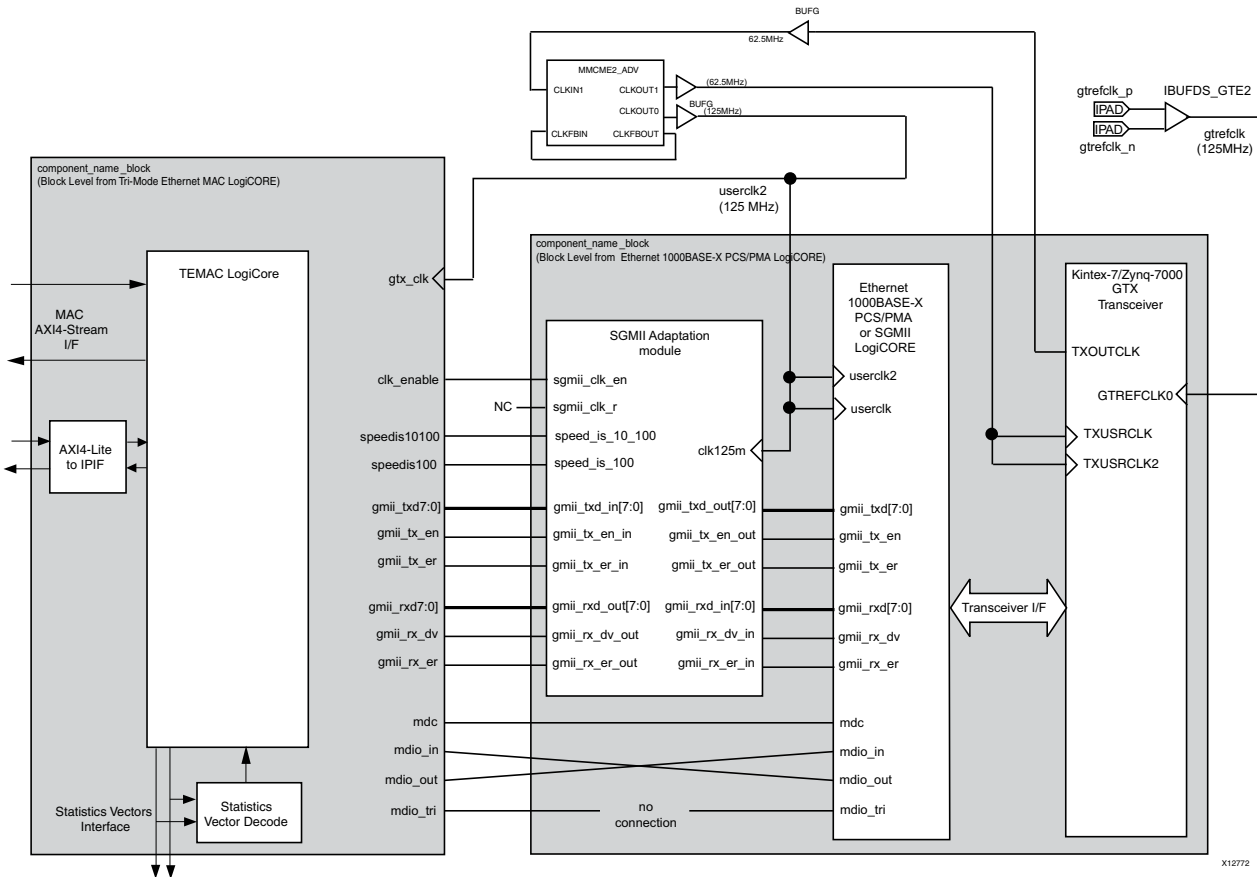


Figure 11-7: AXI Tri-Speed Ethernet MAC Extended to Use SGMII in Kintex-7 or Zynq-7000 Devices

Artix-7 Devices

Figure 11-8 illustrates the connections and clock management logic required to interface the Ethernet 1000BASE-X PCS/PMA or SGMII core (when used in SGMII Configuration and MAC mode with the 7 series FPGA Transceiver) to the Tri-Mode Ethernet MAC core (TEMAC core v5.1 and later, AXI).

Features of this configuration include:

- Observe that the block level of the TEMAC is instantiated. This provides the MAC with extra functionality that is not provided by the TEMAC core netlist. When using the MAC to connect the 1000BASE-X core, the "Internal" PHY Interface mode must be selected from the TEMAC Vivado IDE prior to core generation. See the TEMAC documentation.
- The SGMII Adaptation module, as provided in the example design for the Ethernet 1000BASE-X PCS/PMA or SGMII core when generated to the SGMII standard and MAC mode, can be used to interface the two cores.
- If both cores have been generated with the optional management interface, the MDIO port can be connected up to that of the Tri-Speed Ethernet MAC core, allowing the MAC to access the embedded configuration and status registers of the Ethernet 1000BASE-X PCS/PMA or SGMII core.
- Because of the Receiver Elastic Buffer, the entire GMII (transmitter and receiver paths) is synchronous to a single clock domain. Therefore, `userclk2` is used as the 125 MHz reference clock for both cores, and the transmitter and receiver logic of the Tri-Speed Ethernet MAC core now operate in the same clock domain.

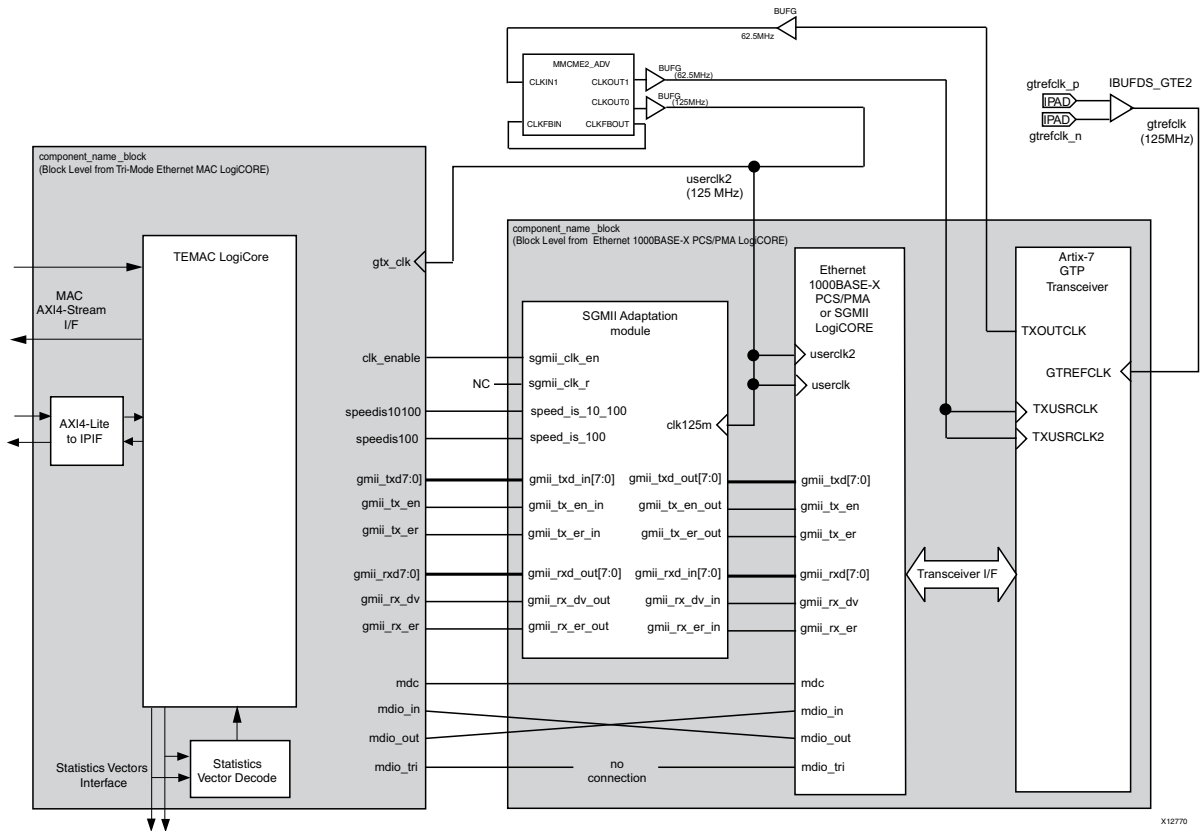


Figure 11-8: AXI Tri-Speed Ethernet MAC Extended to Use SGMII in Artix-7 Devices

Integration of the Tri-Mode Ethernet MAC Using Sync SGMII over LVDS

Figure 11-9 illustrates the connections and clock management logic required to interface the Ethernet 1000BASE-X PCS/PMA or SGMII core (when used in Sync SGMII over LVDS) to the Tri-Mode Ethernet MAC core. The Block Level of the Example Design should be taken from the example design and instantiated for connection to the Tri-Mode Ethernet MAC. Connections from a unique Tri-Mode Ethernet MAC core to SGMII port are identical and are shown in Figure 11-9.

The following conditions apply to each connected Tri-Mode Ethernet MAC and SGMII port pair:

- The SGMII Adaptation module, as provided in the example design for the Ethernet 1000BASE-X PCS/PMA or SGMII core when generated to the SGMII standard, can be used to interface the two cores.

- If both cores have been generated with the optional management interface, the MDIO port can be connected up to that of the Tri-Speed Ethernet MAC core, allowing the MAC to access the embedded configuration and status registers of the Ethernet 1000BASE-X PCS/PMA or SGMII core.
- clk125 is used as the 125 MHz reference clock for both cores, and the transmitter and receiver logic of the Tri-Mode Ethernet MAC core now operate in the same clock domain. This is the clock derived by MMCM and IBUFDS from differential reference clock.

Figure 11-9 illustrates a Tri-Mode Ethernet MAC core generated with the optional clock enable circuitry. This is the most efficient way to connect the two cores together in terms of clock resource usage and so is recommended. See the *LogiCORE IP Tri-Mode Ethernet MAC Product Guide* (PG051) [Ref 11] for more information.

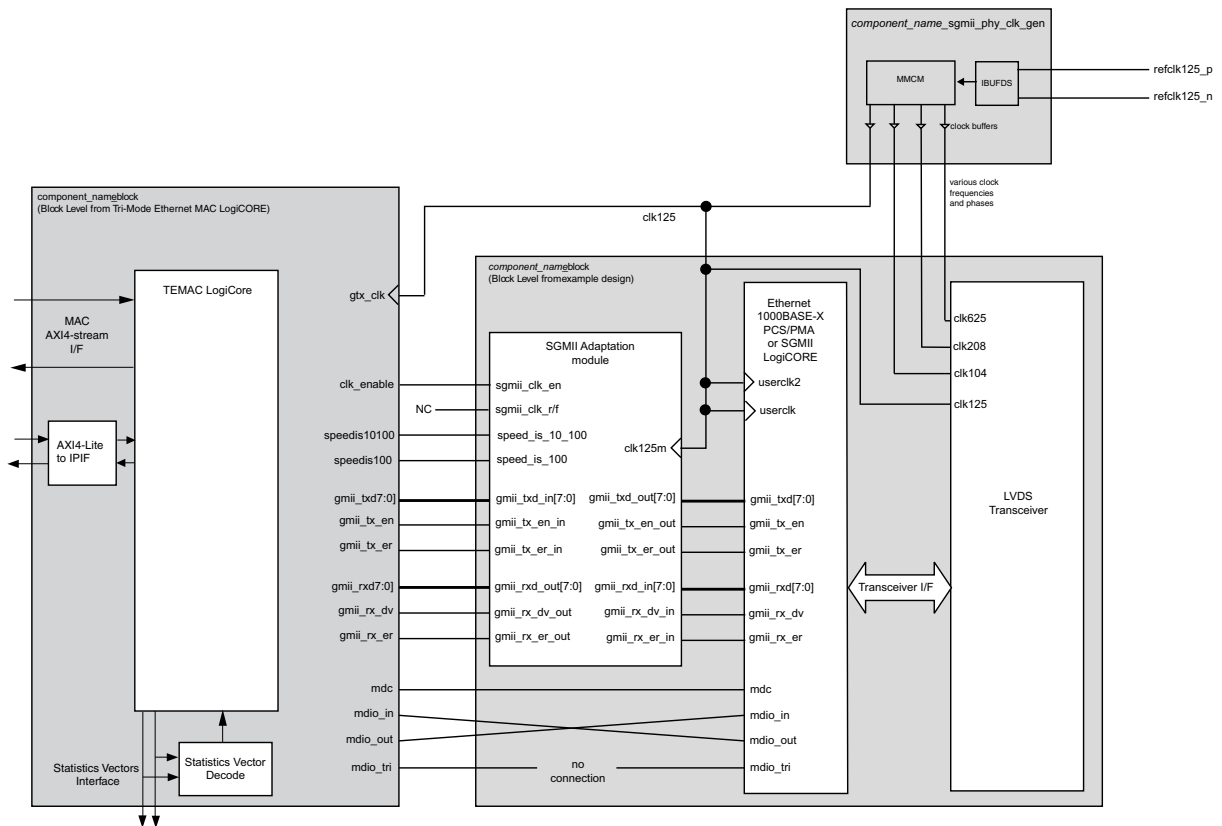


Figure 11-9: AXI Tri-Speed Ethernet MAC Extended to Use SGMII Over Synchronous LVDS

Integration of the Zynq-7000 Device PS ENET0/1 for 1000BASE-X Operation

Figure 11-10 illustrates the connections and clock management logic required to interface the Ethernet 1000BASE-X PCS/PMA or SGMII core (when used in 1000BASE-X mode) to the Zynq-7000 device PS ENET0/1.

Features of this configuration include:

- Direct internal connections are made between the GMII interfaces between the ENET0/1 and 1000BASE-X PCS and PMA or SGMII core.
- The MDIO port can be connected, allowing the Ethernet MAC to access the embedded configuration and status registers of the Ethernet 1000BASE-X PCS/PMA or SGMII core.
- Because of the embedded Receiver Elastic Buffer in the transceiver, the entire GMII is synchronous to a single clock domain. Therefore `userclk2` is used as the 125 MHz reference clock for both ENET0/1 and 1000BASE-X PCS and PMA or SGMII core, and the transmitter and receiver logic of the Zynq-7000 device PS ENET0/1 now operate in the same clock domain.

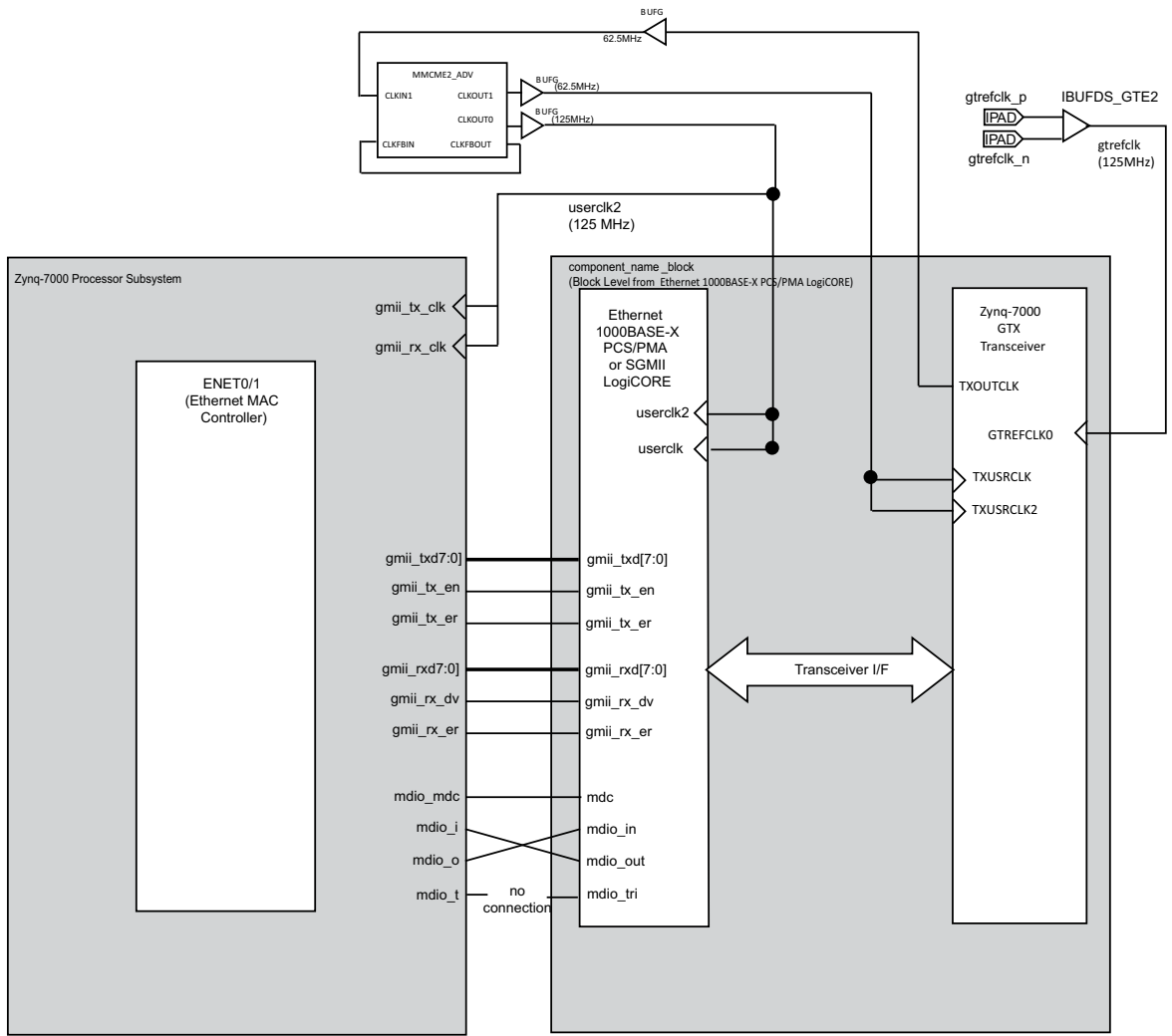


Figure 11-10: Zynq-7000 Device ENET0/1 Extended to Include 1000BASE-X PCS and PMA Using Device GTX Transceiver

X12768

Integration of the Zynq-7000 Device PS ENET0/1 for Tri-speed SGMII Operation

Integration of the Zynq-7000 Device PS ENET0/1 Using Device Specific Transceivers

Figure 11-11 illustrates the connections and clock management logic required to interface the Ethernet 1000BASE-X PCS/PMA or SGMII core (when used in SGMII Configuration and MAC mode with the 7 series FPGA Transceiver) to the Zynq-7000 device PS ENET0/1.

Features of this configuration include:

- The SGMII Adaptation module, as provided in the example design for the Ethernet 1000BASE-X PCS/PMA or SGMII core when generated to the SGMII standard and MAC mode, can be used to interface the two cores.
- The MDIO port can be connected up to that of the Zynq-7000 device ENET0/1, allowing the MAC to access the embedded configuration and status registers of the Ethernet 1000BASE-X PCS/PMA or SGMII core.
- Because of the Receiver Elastic Buffer, the entire GMII (transmitter and receiver paths) is synchronous to a single clock domain. Therefore, `userclk2` is used as the 125 MHz reference clock for both cores, and the transmitter and receiver logic of the Zynq-7000 device PS ENET0/1 now operate in the same clock domain.

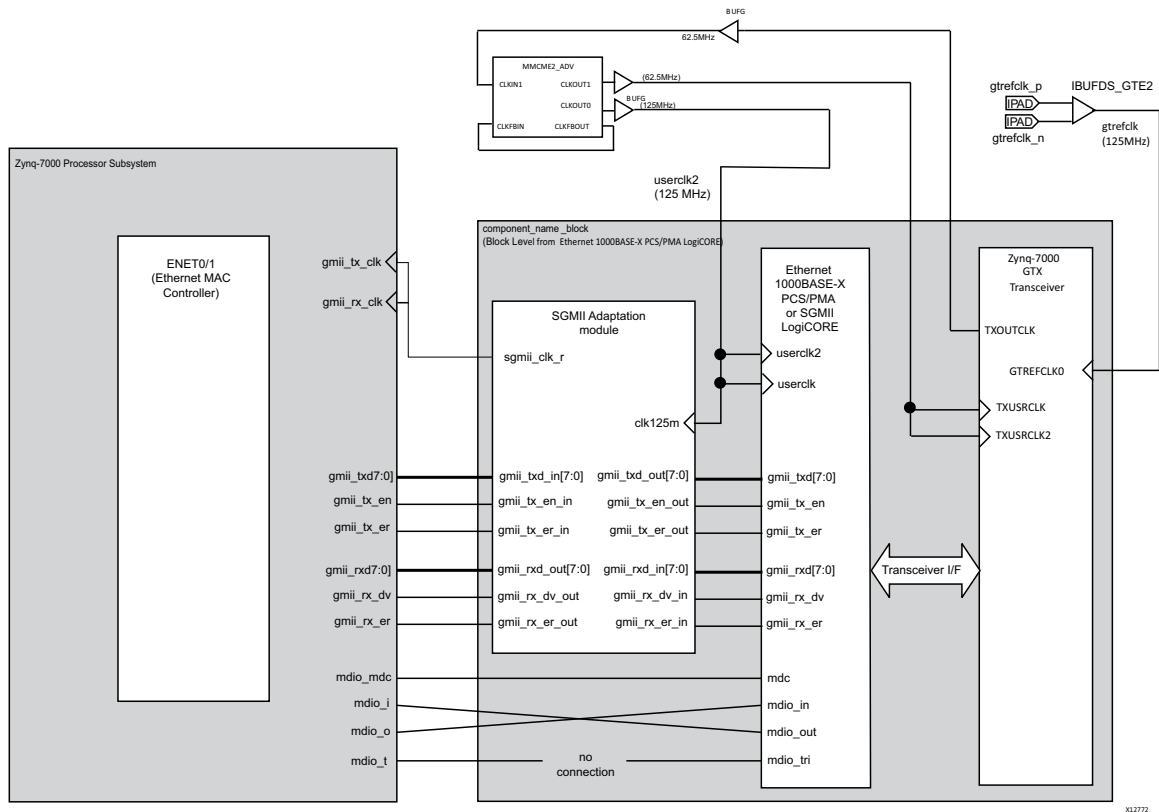


Figure 11-11: Zynq-7000 Device ENET0/1 Extended to Include SGMII Using Device GTX Transceiver

Integration of the Tri-Mode Ethernet MAC Using Sync SGMII over LVDS

Figure 11-12 illustrates the connections and clock management logic required to interface the Ethernet 1000BASE-X PCS/PMA or SGMII core (when used in Sync SGMII over LVDS) to the Zynq-7000 device PS ENET0/1. The following conditions apply to each connected the Zynq-7000 device PS ENET0/1 and SGMII port pair:

- The SGMII Adaptation module, as provided in the example design for the Ethernet 1000BASE-X PCS/PMA or SGMII core when generated to the SGMII standard, can be used to interface the two cores.
- The MDIO port can be connected up to that of the Zynq-7000 device PS ENET0/1, allowing the MAC to access the embedded configuration and status registers of the Ethernet 1000BASE-X PCS/PMA or SGMII core.
- clk125 is used as the 125 MHz reference clock for both cores, and the transmitter and receiver logic of the Zynq-7000 device PS ENET0/1 now operate in the same clock domain. This is the clock derived by MMCM and IBUFDS from differential reference clock.

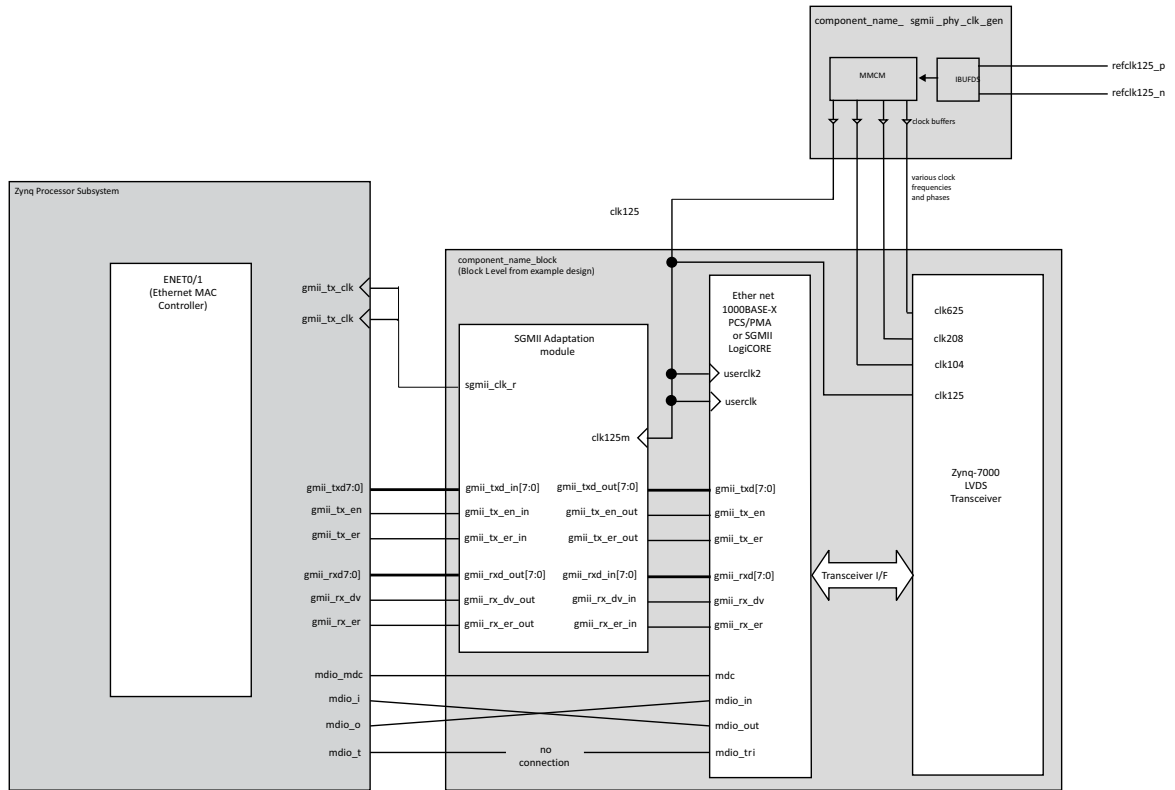


Figure 11-12: Zynq-7000 Device ENET0/1 Extended to Include SGMII Using Zynq-7000 Device Synchronous LVDS

Special Design Considerations

This chapter describes the unique design considerations associated with implementing the Ethernet 1000BASE-X PCS/PMA or SGMII core.

Power Management

No power management considerations are recommended for the Ethernet 1000BASE-X PCS/PMA or SGMII core when using it with the TBI. When using the Ethernet 1000BASE-X PCS/PMA or SGMII core with a Zynq®-7000, Virtex®-7, Kintex®-7 or Artix®-7 device, the transceiver can be placed in a low-power state in either of the following ways:

- Writing to the PCS Configuration Register 0 (if using the core with the optional Management Interface). The low-power state can only be removed by issuing the core with a reset. This reset can be achieved either by writing to the software reset bit in the PCS Configuration Register 0, or by driving the core `reset` port.
 - Asserting the Power Down bit in the `configuration_vector` (if using the core without the optional Management Interface). The low-power state can only be removed by issuing the core with a reset by driving the `reset` port of the core.
-

Start-up Sequencing

IEEE 802.3-2008 clause 22.2.4.1.6 states that by default, a PHY should power up in an isolate state (electrically isolated from the GMII).

- If you are using the core with the optional Management Interface, it is necessary to write to the PCS Configuration Register 0 to take the core out of the isolate state.
- If using the core without the optional Management interface, it is the responsibility of the client to ensure that the isolate input signal in the `configuration_vector` is asserted at power-on.

Loopback

This section details the implementation of the loopback feature. Loopback mode is enabled or disabled by either the [MDIO Management Interface in Chapter 10](#) or by the [Additional Configuration Vector in Chapter 10](#).

Core with the TBI

There is no physical loopback path in the core. Placing the core into loopback has the effect of asserting logic 1 on the `ewrap` signal of the TBI (see [1000BASE-X PCS with TBI Pinout](#)). This instructs the attached PMA SerDes device to enter loopback mode as illustrated in [Figure 12-1](#).

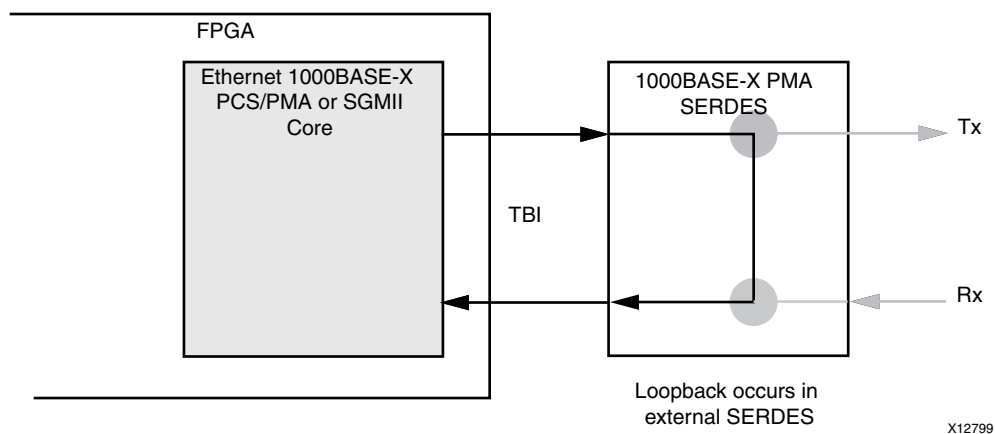


Figure 12-1: Loopback Implementation Using the TBI

Core with Transceiver

The loopback path is implemented in the core as illustrated in [Figure 12-2](#). When placed into loopback, the data is routed from the transmitter path to the receiver path at the last possible point in the core. This point is immediately before the device-specific transceiver (or LVDS transceiver) interface. When placed in loopback, the core creates a constant stream of Idle code groups that are transmitted through the serial or GTP transceiver in accordance with the IEEE 802.3-2008 specification.

Earlier versions (before v5.0) of the core implemented loopback differently. The serial loopback feature of the device-specific transceiver was used by driving the `loopback[1:0]` port of the device-specific (serial or GTP) transceiver. This is no longer the case, and the `loopback[1:0]` output port of the core is now permanently set to logic "00." However, for debugging purposes, the `loopback[1:0]` input port of the device-specific transceiver can be directly driven by the user logic to place it in either parallel or serial loopback mode.

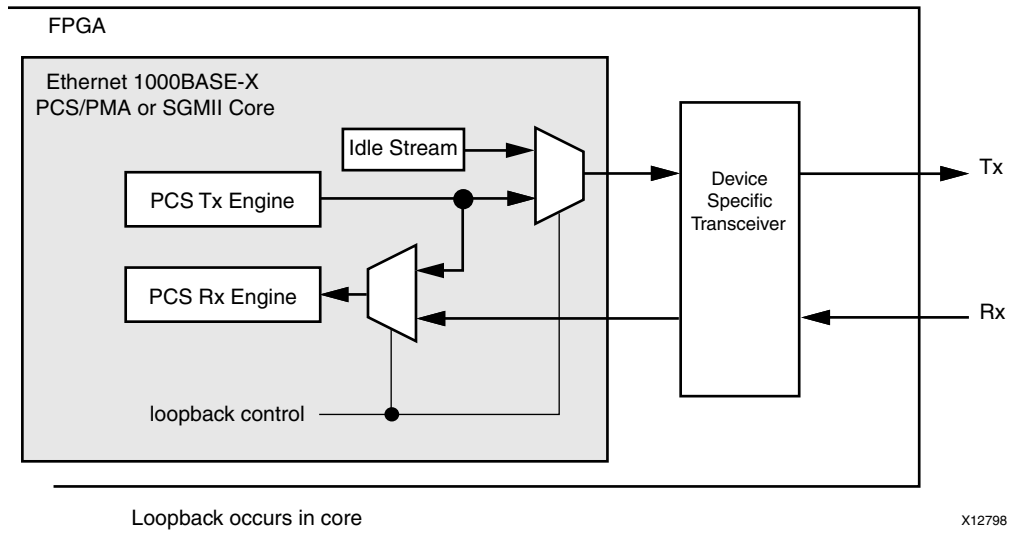


Figure 12-2: Loopback Implementation When Using the Core with Device-Specific Transceivers

Customizing and Generating the Core

The Ethernet 1000BASE-X PCS/PMA or SGMII core is generated using the IP catalog. This chapter describes the Vivado® IDE options used to generate and customize the core.

Impact of IP Integrator on Vivado IDE Options in the IP core

If you are customizing and generating the core in the Vivado IP Integrator, see the *Vivado Design Suite User Guide: Designing IP Subsystems using IP Integrator* (UG994) for detailed information. Vivado IDE may auto-compute certain configuration values when validating or generating the design, as noted in this section. You can view the parameter value after successful completion of **validate_bd_design** command.

FREQ_HZ, PHASE and CLK_DOMAIN properties are propagated from `gt0_drpclk_in` to rest of the signals of DRP interface when DRP interfaces is selected (by enabling transceiver debug signals).

Vivado IDE for Zynq-7000 Devices

You can customize the IP for use in your design by specifying values for the various parameters associated with the IP core using the following steps:

1. Select the IP from the IP catalog.
2. Double-click on the selected IP or select the **Customize IP** command from the tool bar or popup menu.

For details, see the *Vivado Design Suite User Guide: Designing with IP* (UG896) [Ref 13] and the *Vivado Design Suite User Guide: Getting Started* (UG910) [Ref 14].

Note: Figures in this chapter are illustrations of the Vivado IDE. This layout might vary from the current version.

Figure 13-1 displays the option to enable the additional board support flow with the IP. This option will come only in case the project is created by selecting a board from the list of boards available.

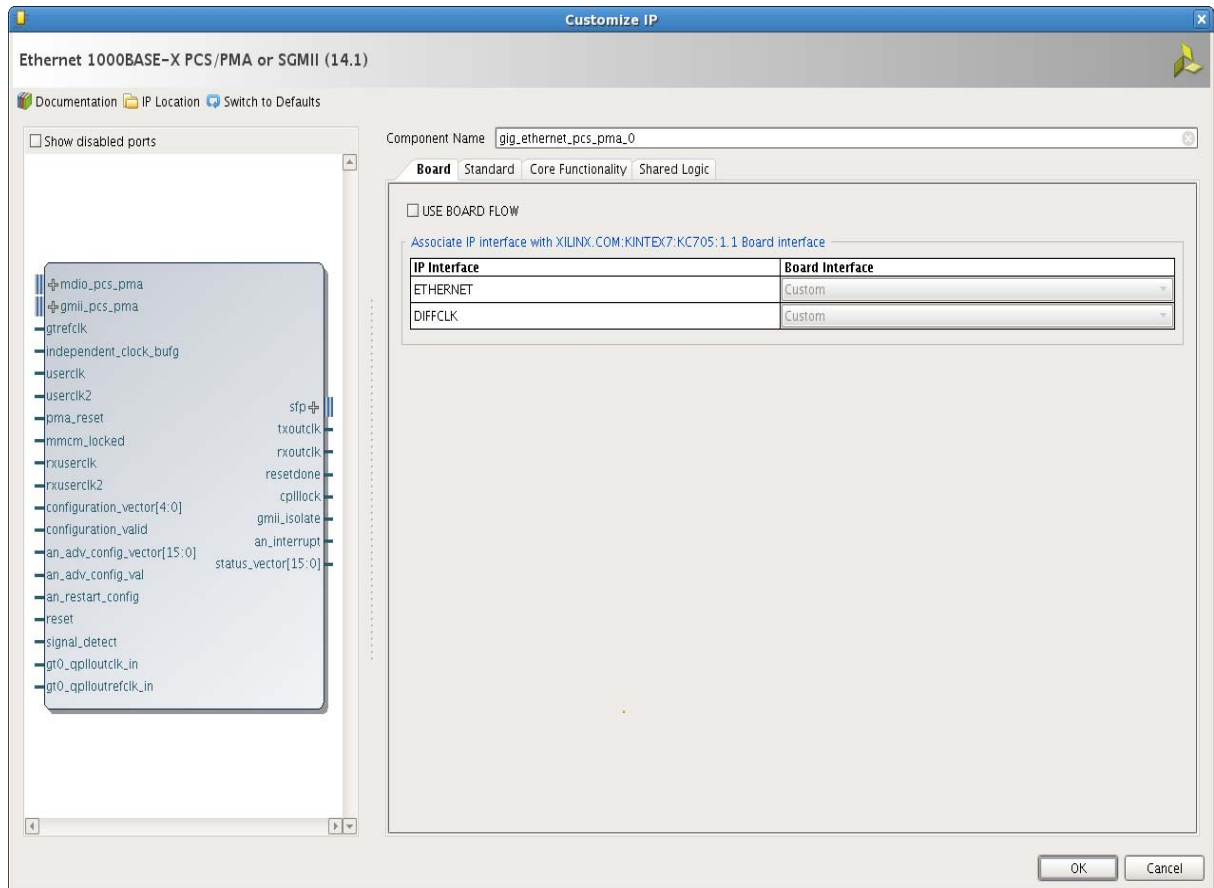


Figure 13-1: Board Tab

Figure 13-2 displays the Ethernet MAC selection screen. This screen is visible only for Zynq®-7000 devices.

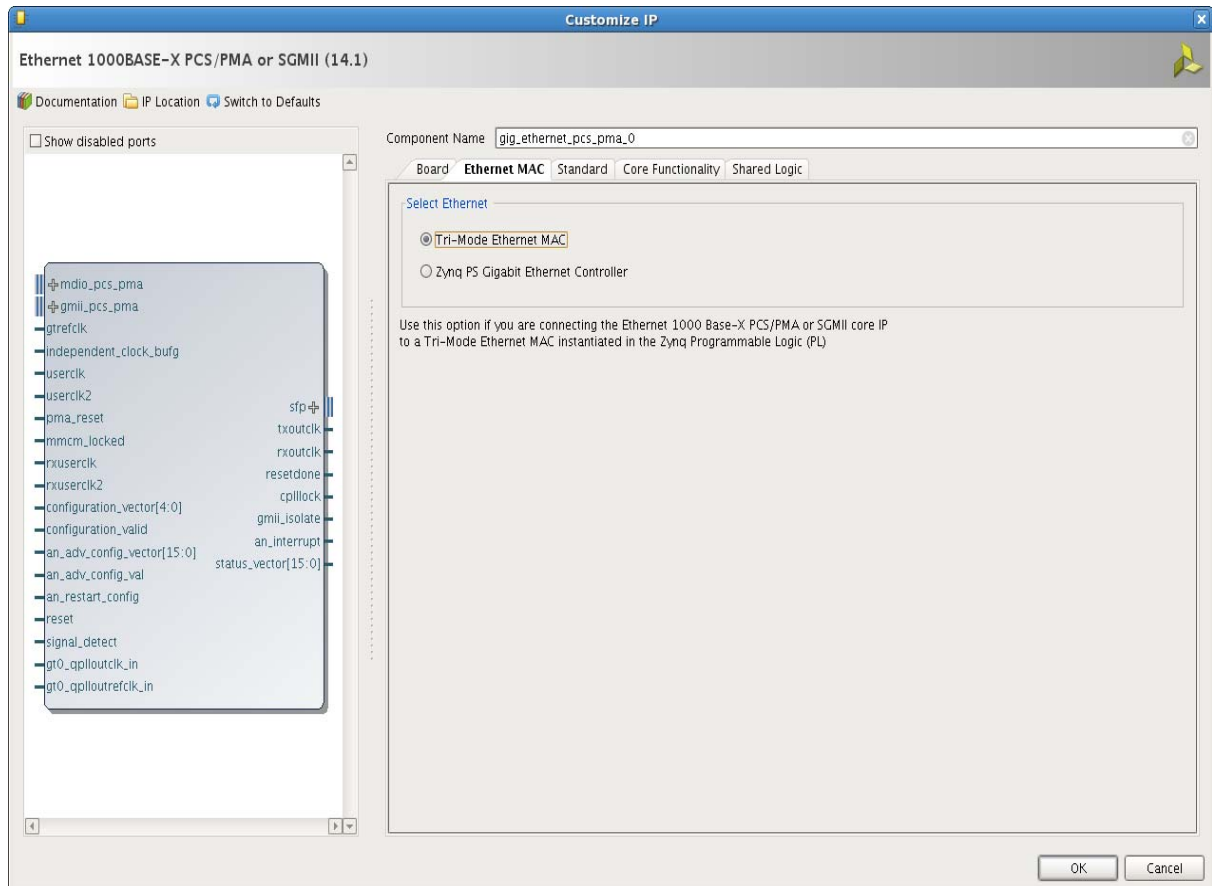


Figure 13-2: Core Customization Screen for Zynq-7000 Devices

Component Name

The component name is used as the base name of the output files generated for the core. Names must begin with a letter and must be composed from the following characters: a through z, 0 through 9 and "_."

Select Ethernet

Select from the following Ethernet MACs.

- **Tri-Mode Ethernet MAC.** This option is used if the Ethernet 1000BASEX PCS/PMA or SGMII core is interfaced with Tri-mode Ethernet MAC instantiated in the Zynq-7000 device Programmable Logic (PL)
- **Zynq-PS Gigabit Ethernet Controller.** This option is used if the Ethernet 1000BASEX PCS/PMA or SGMII core is interfaced with Ethernet MAC (EMAC) present in the Zynq-7000 device processor subsystem (PS). Ethernet 1000BASEX PCS/PMA or SGMII core and EMAC are connected through the EMIO interface.

Vivado IDE for 7 Series Devices

Figure 13-3 displays the Ethernet 1000BASE-X PCS/PMA or SGMII customization screen, used to set core parameters and options.

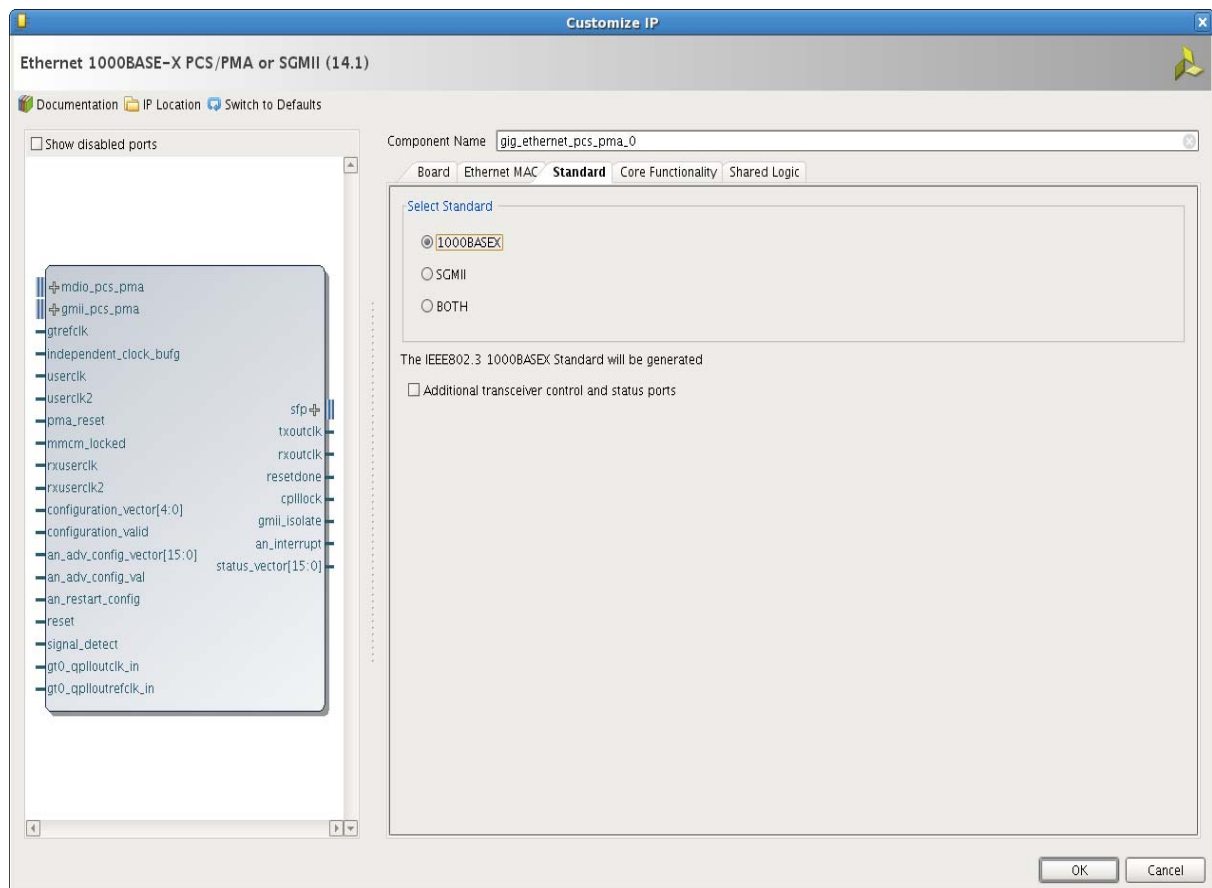


Figure 13-3: Core Customization Screen

Select Standard

Select from the following standards for the core:

- 1000BASE-X. 1000BASE-X Physical Coding Sublayer (PCS) functionality is designed to the IEEE 802.3 specification. Depending on the choice of physical interface, the functionality can be extended to include the 1000BASE-X Physical Medium Attachment (PMA) sublayer. Default setting.
- SGMII. Provides the functionality to provide a Gigabit Media Independent Interface (GMII) to Serial-GMII (SGMII) bridge, as defined in the *Serial-GMII Specification V1.7* (Cisco Systems, ENG-46158). SGMII can be used to replace Gigabit Media Independent Interface (GMII) at a much lower pin count and for this reason is often favored by Printed Circuit Board (PCB) designers.
- Both (a combination of 1000BASE-X and SGMII). Combining the 1000BASE-X and SGMII standards lets you dynamically configure the core to switch between 1000BASE-X and SGMII standards. The core can be switched by writing through the Management Data Input/Output (MDIO) Management Interface. For more information, see [MDIO Management Interface in Chapter 2](#).

Core Functionality

Figure 13-4 displays the Ethernet 1000BASE-X PCS/PMA or SGMII functionality screen.

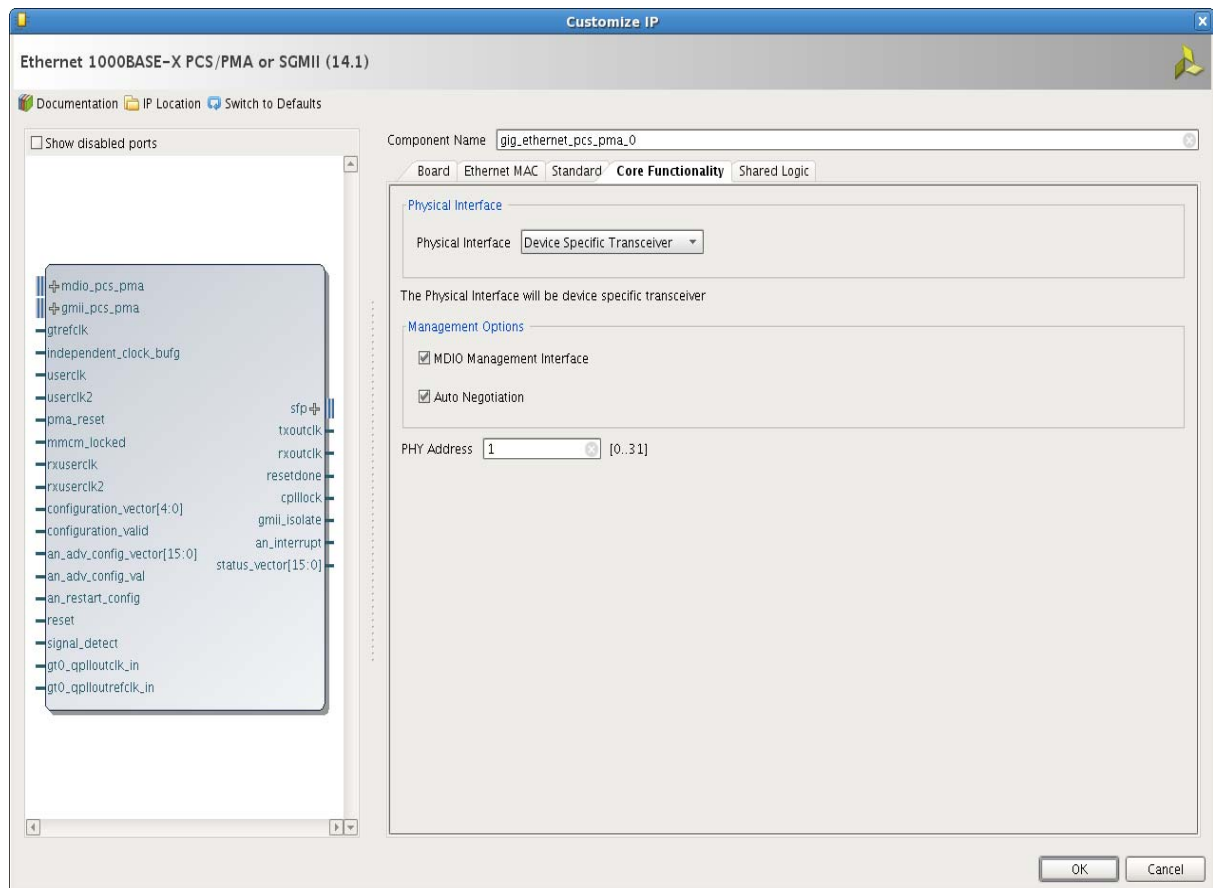


Figure 13-4: 1000Basex Standards Options Screen

Physical Interface

Depending on the target architecture, up to three physical interface options are available for the core.

- **Device Specific Transceiver.** Uses a transceiver specific to the selected device family to extend the 1000BASE-X functionality to include both PCS and PMA sub-layers. It is available for Kintex Ultrascale, Zynq-7000, Virtex®-7, Kintex®-7 and Artix®-7 devices. For additional information, see [Transceiver Logic in Chapter 5](#).
- **Ten Bit Interface (TBI).** Provides 1000BASE-X or SGMII functionality with a parallel TBI used to interface to an external Serializer/Deserializer (SerDes.) For more information, see [Ten-Bit-Interface Logic in Chapter 4](#). Default setting. This is available for Kintex-7 devices.

- **LVDS Serial.** Virtex-7 and Kintex-7 devices, -2 speed grade or faster for devices with HR Banks and -1 speed grade or faster for devices with HP Banks for performing the SGMII Standard. Artix-7 devices, -2 speed grade or higher, can fully support SGMII using standard LVDS SelectIO™ technology logic resources. Zynq-7000 devices, -2 speed grade or faster for XC7Z010/20 devices and -1 speed grade or faster for XC7Z030/45/100 devices, can fully support SGMII using standard LVDS SelectIO™ technology logic resources. This enables direct connection to external PHY devices without the use of an FPGA Transceiver.

MDIO Management Interface

Select this option to include the MDIO Management Interface to access the PCS Configuration registers. See [MDIO Management Interface](#). An additional configuration vector interface is provided to write into Management Registers 0 and 4. See [Additional Configuration and Status Vector Interface in Chapter 2](#).

Auto-Negotiation

Select this option to include auto-negotiation functionality with the core. For more information, see [Chapter 9, Auto-Negotiation](#). The default is to include auto-negotiation.

PHY Address

PHY Address of the core. The values of PHY Address must be in range 0 to 31.

SGMII/Dynamic Standard Switching Elastic Buffer Options

The SGMII/Dynamic Standard Switching Options screen, used to customize the Ethernet 1000BASE-X PCS/PMA or SGMII core, is *only* displayed if either SGMII or Both is selected in the Select Standard section of the initial customization screen, and *only* if the device-specific transceiver is selected as the Physical Standard.

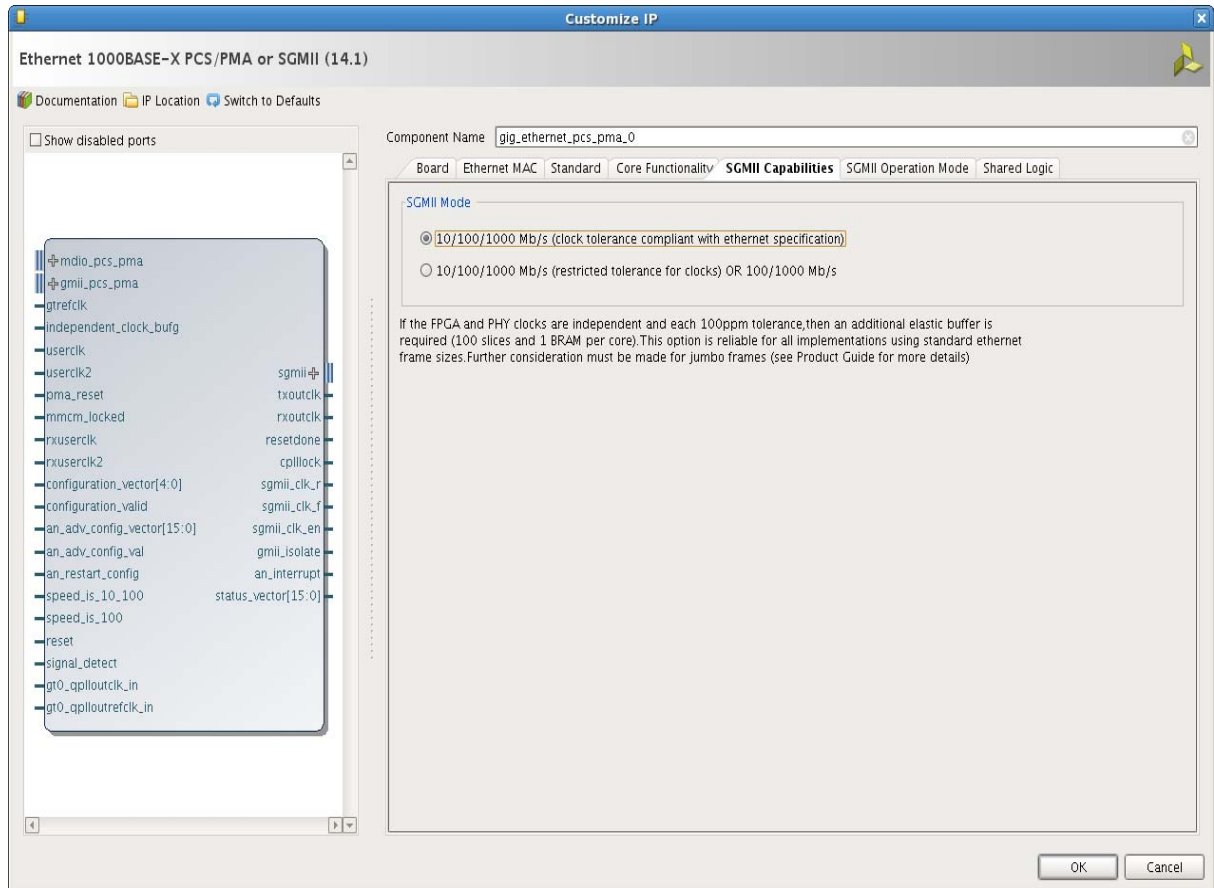


Figure 13-5: SGMII Dynamic Standard Switching Options

This screen lets you select the Receiver Elastic Buffer type to be used with the core. Before selecting this option, see [Receiver Elastic Buffer Implementations in Chapter 6](#).

SGMII/Dynamic Standard Mode of Operation

The SGMII/Dynamic Standard Operation Mode screen, used to customize the Ethernet 1000BASE-X PCS/PMA or SGMII core, is only displayed if either SGMII or Both is selected in the Select Standard section of the initial customization screen.

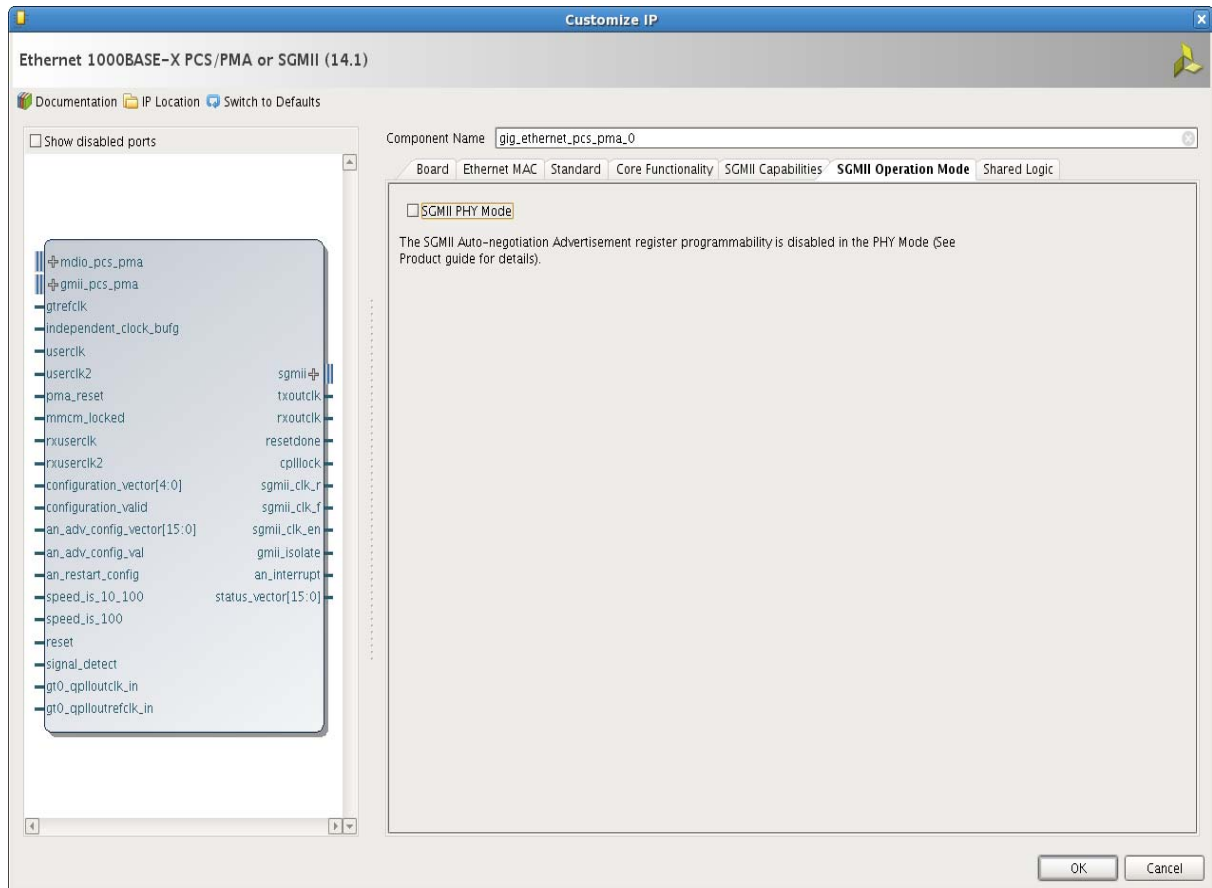


Figure 13-6: SGMII Operation Mode Options

This screen lets you select the core to operate in the PHY mode or Media Access Controller (MAC) mode.

Figure 13-7 displays the shared logic placement options available in the IP core.

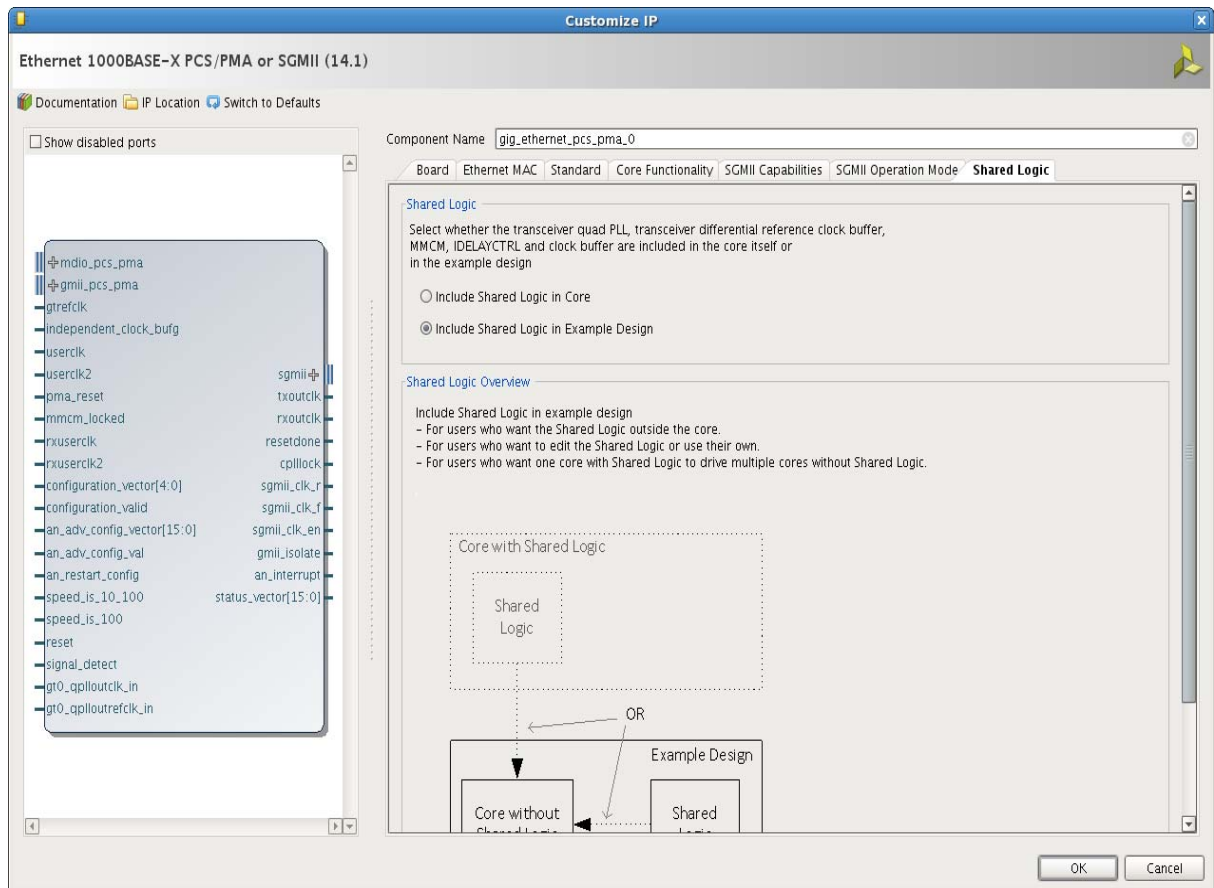


Figure 13-7: Shared Logic Placement Options

Output Generation

The Ethernet 1000BASE-X PCS/PMA or SGMII solution delivers files into several filegroups. By default the filegroups necessary for use of the Ethernet 1000BASE-X PCS/PMA or SGMII or opening the IP Example design are generated when the core is generated. If additional filegroups are required these can be selected using the generate option. The filegroups generated can be seen in the IP Sources tab of the Sources window where they are listed for each IP in the project. The filegroups available for the Ethernet 1000BASE-X PCS/PMA or SGMII solution are described in the following subsections.

For details, see “Generating IP Output Products” in the *Vivado Design Suite User Guide: Designing with IP* (UG896) [Ref 13].

Examples

Includes all source required to be able to open and implement the IP example design project. That is, example design HDL and the example design xdc file.

Examples Simulation

Includes all source required to be able to simulate the IP example design project. This is the same list of HDL as the Examples filegroup with the addition of the demonstration test bench HDL.

Synthesis

Includes all synthesis sources required by the core. For the Ethernet 1000BASE-X PCS/PMA or SGMII solution this is a mix of both encrypted and unencrypted source. Only the unencrypted sources are visible.

Simulation

Includes all simulation sources required by the core. Simulation of the Ethernet 1000BASE-X PCS/PMA or SGMII solution at the core level is not supported without the addition of a test bench (not supplied). Simulation of the example design is supported.

When EXAMPLE_SIMULATION is set, it controls the link timer for Auto-Negotiation and pre-loads in case of a smaller value.

In case of SGMII over LVDS, setting EXAMPLE_SIMULATION pre-loads the eye_mon_wait_time counter to a lower value to decrease the simulation time.

Note: EXAMPLE_SIMULATION generic is provided in all modes to reduce simulation time. In simulation, the value of EXAMPLE_SIMULATION should be 1. In implementation, the value of EXAMPLE_SIMULATION should be 0. To change the EXAMPLE_SIMULATION attribute you need to give following command before the generation of output products:

```
set_property CONFIG.EXAMPLE_SIMULATION {1} [get_ips <component_name>]
```



IMPORTANT: EXAMPLE_SIMULATION generic should be set to 1 only in case of simulation. In synthesis this should be again reset to 0.

Instantiation Template

Example instantiation template

Miscellaneous

This provides simulations scripts and support files required for running netlist based functional simulation. The files delivered as part of this filegroup are not used or understood by Vivado® design tools and as such this filegroup is not displayed. These files are delivered into the project source directory.

Constraining the Core

This chapter contains information about constraining the core in the Vivado® Design Suite. It defines the constraint requirements of the Ethernet 1000BASE-X PCS/PMA or SGMII solution.

Required Constraints

The Ethernet 1000BASE-X PCS/PMA or SGMII solution is provided with a core level XDC file. This provides constraints for the core that are expected to be applied in all instantiations of the core. This XDC file, named `<component name>.xdc`, can be found in the IP Sources tab of the Sources window in the Synthesis file group.

An example XDC is also provided with the HDL example design to provide the board level constraints. This is specific to the example design and, as such, is only expected to be used as a template for the user design. See [Chapter 17, Detailed Example Design](#). This XDC file, named `<component name>_example_design.xdc`, is found in the IP Sources tab of the Sources window in the Examples file group.

The core level XDC file inherits some constraints from the example design XDC file. In any system it is expected that you will also provide an XDC file to constrain the logic in which the Ethernet 1000BASE-X PCS/PMA or SGMII solution is instantiated.

Device, Package, and Speed Grade Selections

The core can be implemented in Kintex® Ultrascale™, Zynq®-7000, Virtex®-7, Kintex-7 and Artix®-7 devices. The modes supported for specific devices are described in [Table 2-1](#).

Clock Frequencies

The Ethernet 1000BASE-X PCS/PMA or SGMII solution has a variable number of clocks with the precise number required being dependent upon the specific parameterization. As the core targets various transceiver options, there are associated clock frequency requirements.

Table 14-1: Clock Frequencies

Clock Name	Parametrization	Frequency Requirement
gtrefclk	Present if serial transceiver is used	125 MHz
txoutclk	Present if serial transceiver is used	62.5 or 125 MHz depending on serial transceiver used
userclk	Present if serial transceiver is used	62.5 or 125 MHz depending on serial transceiver used
userclk2	Present if serial transceiver is used	125 MHz
sgmii_clk	Present in SGMII Mode	1.25 MHz, 12.5 MHz or 125 MHz
gtx_clk	Present in TBI Mode	125 MHz
pma_tx_clk	Present in TBI Mode	125 MHz
pma_rx_clk	Present in TBI Mode	125 MHz
clk625	Present in LVDS Mode	625 MHz
clk208	Present in LVDS Mode	208 MHz
clk104	Present in LVDS Mode	104 MHz

I/O Standard and Placement

There are no specific I/O standard/placement requirements on most interfaces. Depending upon the device family, part and package chosen there are two types of I/O available for use. HP I/O is intended for support of high-speed interfaces and as such is limited to 1.8 V support. HP I/O support both Input and Output Delays components. HR I/O is intended for interfaces with higher voltage requirements and has a more limited supported frequency range. HR I/O only supports Input Delay components.

Both MII and GMII are 3.3 V standards. However the majority of PHYs are multi-standard and operate at either 2.5 V or 3.3 V and this is also true of the PHYs selected for Xilinx development boards. This means that for most applications the physical interfaces are restricted to either using HR I/O, where available, or HP I/O with an external voltage converter to translate between 1.8 V and the minimum level required by the PHY of 2.5 V.



IMPORTANT: For any board design it is very important to identify which type of I/O is available/being used.

In most of the applications the GMII interface of the core is interfaced to Xilinx TEMAC core in the FPGA, which means that no IP standard/placement is required for that interface.

Simulation

For comprehensive information about Vivado® simulation components, as well as information about using supported third-party tools, see the *Vivado Design Suite User Guide: Logic Simulation* (UG900) [Ref 15].

All simulation sources are included that are required by the core. Simulation of PCS-PMA at the core level is not supported without the addition of a test bench (not supplied). Simulation of the example design is supported.

Note: EXAMPLE_SIMULATION generic is provided in all modes to reduce simulation time. In simulation, the value of EXAMPLE_SIMULATION should be 1. In implementation, the value of EXAMPLE_SIMULATION should be 0. To change the EXAMPLE_SIMULATION attribute you need to run the following command before the generation of output products:

```
set_property CONFIG.EXAMPLE_SIMULATION {1} [get_ips <component_name>]
```



IMPORTANT: EXAMPLE_SIMULATION generic should be set to 1 only in case of simulation. In synthesis this should be again reset to 0.

Synthesis and Implementation

For details about synthesis and implementation, see “Synthesizing IP” and “Implementing IP” in the *Vivado Design Suite User Guide: Designing with IP* (UG896) [Ref 13].

All synthesis sources are included that are required by the core. For the pcs-pma core this is a mix of both encrypted and unencrypted source. Only the unencrypted sources are visible and optionally editable by using the **Unlink IP Vivado** option.

Detailed Example Design

The details about the provided example designs and test benches are described in detail in the following sections of this guide:

- [Example Design for 1000BASE-X with Transceivers in Chapter 5](#)
- [SGMII Example Design / Dynamic Switching Example Design Using a Transceiver in Chapter 6](#)
- [Example Design Implementation in Chapter 7](#) for SGMII over Synchronous LVDS

For information about the Demonstration Test Bench, see [Chapter 18, Test Bench](#).

Test Bench

This chapter contains information about the provided test bench in the Vivado® Design Suite environment.

Demonstration Test Bench

Figure 18-1 illustrates the demonstration test bench for the Ethernet 1000BASE-X PCS/PMA using a device-specific transceiver. The demonstration test bench is a simple VHDL or Verilog program to exercise the example design and the core.

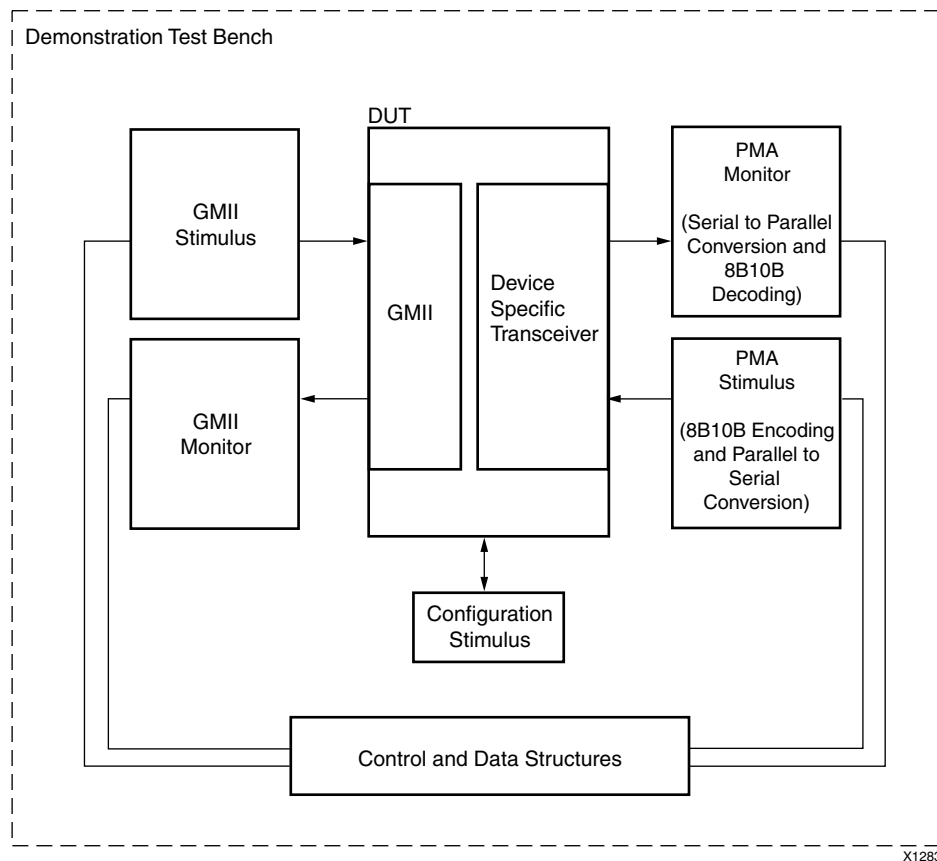


Figure 18-1: Demonstration Test Bench Using Device-Specific Transceiver

The top-level test bench entity instantiates the example design for the core, which is the Device Under Test (DUT). A stimulus block is also instantiated and clocks, resets, and test bench semaphores are created. The following files describe the top level of the demonstration test bench:

VHDL

```
<project_dir>/<project_name>/<project_name>.srcs/sources1/ip/<component_name>/  
simulation/demo_tb.vhd
```

Verilog

```
<project_dir>/<project_name>/<project_name>.srcs/sources1/ip/<component_name>/  
simulation/demo_tb.v
```

The stimulus block entity, instantiated from within the test bench top level, creates the Ethernet stimulus in the form of four Ethernet frames, which are injected into the GMII and PHY interfaces of the DUT. The output from the DUT is also monitored for errors. The following files describe the stimulus block of the demonstration test bench.

VHDL

```
<project_dir>/<project_name>/<project_name>.srcs/sources1/ip/<component_name>/  
simulation/stimulus_tb.vhd
```

Verilog

```
<project_dir>/<project_name>/<project_name>.srcs/sources1/ip/<component_name>/  
simulation/stimulus_tb.v
```

Together, the top-level test bench file and the stimulus block combine to provide the full test bench functionality, described in the sections that follow.

Core with MDIO Interface

The demonstration test bench performs the following tasks:

- Input clock signals are generated.
- A reset is applied to the example design.
- The Ethernet 1000BASE-X PCS/PMA core is configured through the MDIO interface by injecting an MDIO frame into the example design. This disables auto-negotiation (if present) and takes the core out of the Isolate state.
- Four frames are injected into the GMII transmitter by the GMII stimulus block.
 - the first frame is a minimum length frame
 - the second frame is a type frame
 - the third frame is an errored frame
 - the fourth frame is a padded frame

- The serial data received at the device-specific transmitter interface is converted to 10-bit parallel data, then 8B/10B decoded. The resulting frames are checked by the PMA Monitor against the stimulus frames injected into the GMII transmitter to ensure data integrity.
- The same four frames are generated by the PMA Stimulus block. These are 8B/10B encoded, converted to serial data, and injected into the device-specific transceiver receiver interface.
- Data frames received at the GMII receiver are checked by the GMII Monitor against the stimulus frames injected into the device-specific transceiver receiver to ensure data integrity.

Core without MDIO Interface

The demonstration test bench performs the following tasks:

- Input clock signals are generated.
- A reset is applied to the example design.
- The Ethernet 1000BASE-X PCS/PMA core is configured using the Configuration Vector to take the core out of the Isolate state.
- Four frames are injected into the GMII transmitter by the GMII stimulus block.
 - the first frame is a minimum length frame
 - the second frame is a type frame
 - the third frame is an errored frame
 - the fourth frame is a padded frame
- The serial data received at the device-specific transmitter interface is converted to 10-bit parallel data, then 8B/10B decoded. The resultant frames are checked by the PMA Monitor against the stimulus frames injected into the GMII transmitter to ensure data integrity.
- The same four frames are generated by the PMA Stimulus block. These are 8B/10B encoded, converted to serial data and injected into the device-specific receiver interface.
- Data frames received at the GMII receiver are checked by the GMII Monitor against the stimulus frames injected into the device-specific transceiver receiver to ensure data is the same.

Customizing the Test Bench

Changing Frame Data

You can change the contents of the four frames used by the demonstration test bench by changing the *data* and *valid* fields for each frame defined in the stimulus block. New frames can be added by defining a new frame of data. Modified frames are automatically updated in both stimulus and monitor functions.

Changing Frame Error Status

Errors can be inserted into any of the predefined frames in any position by setting the *error* field to 1 in any column of that frame. Injected errors are automatically updated in both stimulus and monitor functions.

Changing the Core Configuration

The configuration of the Ethernet 1000BASE-X PCS/PMA core used in the demonstration test bench can be altered.



CAUTION! *Certain configurations of the core cause the test bench to fail or cause processes to run indefinitely. For example, the demonstration test bench does not auto-negotiate with the example design. Determine the configurations that can safely be used with the test bench.*

When the MDIO interface option is selected, the core can be reconfigured by editing the injected MDIO frame in the demonstration test bench top level. Management Registers 0 and 4 can additionally be written through `configuration_vector[4:0]` and `an_adv_config_vector[15:0]` interface signals respectively.

When the MDIO interface option is not selected, the core can be reconfigured by modifying the configuration vector directly.

Verification, Compliance, and Interoperability

Simulation

A highly parameterizable transaction based test bench was used to test the core. Testing included the following:

- Register Access
 - Loss of Synchronization
 - Auto-Negotiation and error handling
 - Frame Transmission and error handling
 - Frame Reception and error handling
-

Hardware Testing

The core has been tested on many hardware test platforms at Xilinx to represent different parameterizations, including the following:

- The core with device-specific transceiver and performing the 1000BASE-X standard was tested with the Tri-Mode Ethernet MAC core from Xilinx.

A test platform was built around these cores, including a back-end FIFO capable of performing a simple ping function, and a test pattern generator. Software running on the embedded PowerPC® processor was used to provide access to all configuration and status registers. Version 3.0 of this core was taken to the University of New Hampshire Inter operability Lab (UNH IOL) where conformance and inter operability testing was performed.

- The core with device-specific transceiver (all supported families) and performing the SGMII standard was tested with the Tri-speed Ethernet MAC core from Xilinx.

This was connected to an external PHY capable of performing 10BASE-T, 100BASE-T and 1000BASE-T. The system was tested at all three speeds, following the architecture shown in [Figure 12-8](#) and included the PowerPC® processor based test platform.

Verification

The Ethernet 1000BASE-X PCS/PMA or SGMII core has been verified with extensive simulation and hardware verification.

Migrating and Upgrading

This appendix contains information about migrating a design from ISE® to the Vivado® Design Suite, and for upgrading to a more recent version of the IP core. For customers upgrading in the Vivado Design Suite, important details (where applicable) about any port changes and other impact to user logic are included.

Migrating to the Vivado Design Suite

For information on migrating to the Vivado Design Suite, see the *ISE to Vivado Design Suite Migration Guide* (UG911) [Ref 16].

Upgrading in the Vivado Design Suite

This section provides information about any changes to the user logic or port designations that take place when you upgrade to a more current version of this IP core in the Vivado Design Suite.

In the 14.0 version of the core, there have been several changes that make the core pin-incompatible with the previous version(s). These changes were required as part of the general one-off hierarchical changes to enhance the customer experience and are not likely to occur again.

Shared Logic

As part of the hierarchical changes to the core, it is now possible to have the core itself include all of the logic that can be shared between multiple cores, which was previously exposed in the example design for the core.

If you are updating a previous version to the 14.0 version with shared logic, there is no simple upgrade path; it is recommended to consult the Shared Logic sections of this document for more guidance.

Port Changes from v14.0 to v14.1

Ports Added

The following ports were added to the Transceiver Debug feature of the core.

Table B-1: Ports Added for 7 Series and Zynq Devices

Signal	Direction	Description
gt0_txpmareset_in	Input	GT TX-PMA Reset
gt0_txpcsreset_in	Input	GT TX-PCS Reset
gt0_rxpmareset_in	Input	GT RX-PMA Reset
gt0_rxpcsreset_in	Input	GT RX-PCS Reset
gt0_rxbufreset_in	Input	GT RX Elastic Buffer Reset
gt0_rxpmaresetdone_out	Output	GT PMA resetdone indication
gt0_txbufstatus_out[1:0]	Output	GT TX Buffer status
gt0_rxbufstatus_out[2:0]	Output	GT RX Buffer status
gt0_dmonitorout_out[16:0]	Output	GT Status
gt0_rxlpmreset_in	Input	RX LPM reset. Valid only in case of GTP.
gt0_rxlpmhfoverride_in	Input	RX LPM-HF override enable. Valid only in case of GTP.

Table B-2: Ports Added for UltraScale Devices

Signal	Direction	Description
gt_drp_addr_in[8:0]	Input	DRP address bus
gt_drpi_in[15:0]	Input	Data bus for writing configuration data to the transceiver.
gt_drpo_out[15:0]	Output	Data bus for reading configuration data from the transceiver.
gt_drprdy_out	Output	Indicates operation is complete for write operations and data is valid for read operations.
gt_drpwe_in	Input	DRP write enable.
gt_drpclk_in	Input	DRP Clock
gt_rxcommadet_out	Output	
gt_txdiffctrl_in[3:0]	Input	GT TX Driver
gt_txpostcursor_in[4:0]	Input	
gt_txprecursor_in[4:0]	Input	
gt_txpolarity_in	Input	GT Polarity
gt_rxpolarity_in	Input	

Table B-2: Ports Added for UltraScale Devices (Cont'd)

Signal	Direction	Description
gt_txprbssel_in[2:0]	Input	GT PRBS
gt_txprbsforceerr_in	Input	
gt_rxprbsctrlreset_in	Input	
gt_rxprbserr_out	Output	
gt_rxprbssel_in[2:0]	Input	
gt_loopback_in[2:0]	Input	GT Loopback
gt_txresetdone_out	Output	GT Status
gt_rxresetdone_out	Output	
gt_rxdisperr_out[3:0]	Output	
gt_rxnotintable_out	Output	
gt_eyescanreset_in[3:0]	Input	GT Eye Scan
gt_eyescanataerror_out	Output	
gt_eyescantrigger_in	Input	
gt_rxcdrhold_in	Input	GT CDR
gt_rxcdrlock_out	Output	
gt_rxlpmen_in	Input	GT GTX/GTH RX Decision Feedback Equalizer (DFE)
gt_rxdfelpmreset_in	Input	
gt_txpmareset_in	Input	GT TX-PMA Reset
gt_txpcsreset_in	Input	GT TX-PCS Reset
gt_rxpmareset_in	Input	GT RX-PMA Reset
gt_rxpcsreset_in	Input	GT RX-PCS Reset
gt_rxbufreset_in	Input	GT RX Elastic Buffer Reset
gt_rxpmaresetdone_out	Output	GT PMA resetdone indication
gt_txbufstatus_out[1:0]	Output	GT TX Buffer status
gt_rxbufstatus_out[2:0]	Output	GT RX Buffer status
gt_dmonitorout_out[16:0]	Output	GT Status

Ports Removed

The following ports were removed under the Transceiver Debug Feature of the core.

Note: Ports were renamed/removed only for UltraScale™ devices to retain backward compatibility in case of 7 series and Zynq®-7000 devices.

Table B-3: Ports Removed for UltraScale Devices

Signal	Direction	Description
gt0_drp_addr_in[8:0]	Input	DRP address bus
gt0_drpi_in[15:0]	Input	Data bus for writing configuration data to the transceiver.
gt0_drpo_out[15:0]	Output	Data bus for reading configuration data from the transceiver.
gt0_drprdy_out	Output	Indicates operation is complete for write operations and data is valid for read operations.
gt0_drpwe_in	Input	DRP write enable
gt0_drpcln_in	Input	DRP Clock
gt0_rxchariscomma_out[3:0]	Output	GT Status
gt0_rxcharisk_out[3:0]	Output	
gt0_rxbyteisaligned_out	Output	
gt0_rxbyterealign_out	Output	
gt0_rxcommadet_out	Output	
gt0_txdiffctrl_in[3:0]	Input	GT TX Driver
gt0_txpostcursor_in[4:0]	Input	
gt0_txprecursor_in[4:0]	Input	
gt0_txpolarity_in	Input	GT Polarity
gt0_rxpolarity_in	Input	
gt0_txprbssel_in[2:0]	Input	GT PRBS
gt0_txprbsforceerr_in	Input	
gt0_rxprbscreset_in	Input	
gt0_rxprbserr_out	Output	
gt0_rxprbssel_in[2:0]	Input	
gt0_loopback_in[2:0]	Input	GT Loopback
gt0_txresetdone_out	Output	GT Status
gt0_rxresetdone_out	Output	
gt0_rxdisperr_out[3:0]	Output	
gt0_rxnotintable_out	Output	
gt0_eyescanreset_in[3:0]	Input	GT Eye Scan
gt0_eyescanataerror_out	Output	
gt0_eyescantrigger_in	Input	

Table B-3: Ports Removed for UltraScale Devices (Cont'd)

Signal	Direction	Description
gt0_rxcdrhold_in	Input	GT CDR
gt0_rxcdrlock_out	Output	
gt0_rxlpmen_in	Input	GT GTX/GTH RX Decision Feedback Equalizer (DFE)
gt0_rxdfelpmreset_in	Input	
gt0_rxdfeagcovrden_in	Input	
gt0_rxmonitorout_out[6:0]	Output	
gt0_rxmonitorssel_in[1:0]	Input	

Port Changes from v13.0 to v14.0

Ports Removed

The following ports were removed from the core (non-shared logic).

Table B-4: Ports Removed

Port Name and Width	In/Out	Description	What to Do
link_timer_value[8:0]	Input	Used to configure the duration of the Auto-Negotiation function Link Timer. The duration of this timer is set to the binary number input into this port multiplied by 4096 clock periods of the 125 MHz reference clock (8 ns). This port is replaced when using the dynamic switching mode.	This is done to ease IP integration of IP. This can be pre-loaded with a lower value by modifying the EXAMPLE_SIMULATION parameter within the IP.
link_timer_basex[8:0]	Input	Used to configure the duration of the Auto-Negotiation Link Timer period when performing the 1000BASE-X standard. The duration of this timer is set to the binary number input into this port multiplied by 4096 clock periods of the 125 MHz reference clock (8 ns).	This is done to ease IP integration of IP. This can be pre-loaded with a lower value by modifying the EXAMPLE_SIMULATION parameter within the IP.
link_timer_sgmiil[8:0]	Input	Used to configure the duration of the Auto-Negotiation Link Timer period when performing the SGMII standard. The duration of this timer is set to the binary number input into this port multiplied by 4096 clock periods of the 125 MHz reference clock (8 ns).	This is done to ease IP integration of IP. This can be pre-loaded with a lower value by modifying EXAMPLE_SIMULATION parameter within the IP.

Generic Removed

The following generic was removed from the core (non-shared logic).

Table B-5: Generic Removed

Generic Name	Description	What to Do
EXAMPLE_SIMULATION	EXAMPLE_SIMULATION generic is provided in all modes to reduce simulation time.	This generic has been removed from the top level to support dcp flow which necessitates removals of generics from the top-level wrapper. This generic still exists in wrappers underneath. This can also be controlled during generation of the core. See Port Descriptions in Chapter 2 for guidelines for controlling the same.

Ports Added

The following ports were added to the core (non-shared logic).

Table B-6: Ports Added (non-shared Logic)

Port Name and Width	In/Out	Description	What to do
rxoutclk	Output	rxoutclk from the Transceiver	This was previously connected internally to clocking elements and routed to rxuserclk and rxuserclk2. This can be left open if rxoutclk can be shared across instances or if not should drive clocking elements.
rxuserclk	Input	Signal from the shared logic block to the transceiver	If rxoutclk can be shared across instances, connect O/P of shared logic block. If not, connect to rxoutclk after passing through additional clocking elements.
rxuserclk2	Input	Signal from the shared logic block to the transceiver	If rxoutclk can be shared across instances, connect O/P of shared logic block. If not, connect to rxoutclk after passing through additional clocking elements.
gt0_pll0outclk_in	Input	Valid only for Artix®-7 families. Indicates out clock from PLL0 of GT Common.	Should be connected to signal of same name from GT Common.
gt0_pll0outrefclk_in	Input	Valid only for Artix-7 families. Indicates reference out clock from PLL0 of GT Common.	Should be connected to signal of same name from GT Common.
gt0_pll1outclk_in	Input	Valid only for Artix-7 families. Indicates out clock from PLL1 of GT Common.	Should be connected to signal of same name from GT Common.

Table B-6: Ports Added (non-shared Logic) (Cont'd)

Port Name and Width	In/Out	Description	What to do
gt0_pll1outrefclk_in	Input	Valid only for Artix-7 families. Indicates reference out clock from PLL1 of GT Common.	Should be connected to signal of same name from GT Common
gt0_pll0lock_in	Input	Valid only for Artix-7 families. Indicates out PLL0 of GT Common has locked.	Should be connected to signal of same name from GT Common.
gt0_pll0refclklost_in	Input	Valid only for Artix-7 families. Indicates out reference clock for PLL0 of GT Common is lost.	Should be connected to signal of same name from GT Common.
gt0_pll0reset_out	output	Valid only for Artix-7 families. Reset for PLL of GT Common from reset fsm in GT Wizard	Should be connected to signal of same name from GT Common or can be left open if not needed.
gt0_qplloutclk_in	Input	Valid only for non Artix-7 families. Indicates out clock from PLL of GT Common.	Should be connected to signal of same name from GT Common.
gt0_qplloutrefclk_in	Input	Valid only for non Artix-7 Families. Indicates reference out clock from PLL of GT Common.	Should be connected to signal of same name from GT Common.

The following ports were added to the core, but only if the transceiver debug feature was requested during core customization. Consult the relevant transceiver user guide for more information on using these control/status ports,

Table B-7: Ports Added for Transceiver Debug Feature

Port Name and Width	In/Out	Description	What to do ⁽¹⁾
gt0_rxchariscomma_out[1:0]	Output	RX Character is Comma indication	LSB is valid in all cases other than 1588 mode where both the bits are valid.
gt0_rxcharisk_out[1:0]	Output	RX Character is K indication	LSB is valid in all cases other than 1588 mode where both the bits are valid.
gt0_rxbyteisaligned_out	Output	RX Byte is aligned indication	
gt0_rxbyterealign_out	Output	Rx Byte is realigned indication	
gt0_rxcommadet_out	Output	RX Comma is detected indication	

Table B-7: Ports Added for Transceiver Debug Feature (Cont'd)

Port Name and Width	In/Out	Description	What to do ⁽¹⁾
gt0_txpolarity	Input	Switch the sense of the TXN/P pins	
gt0_txdiffctrl[3:0]	Input	Can be used to tune the transceiver TX waveform	
gt0_txprecursor[4:0]	Input	Can be used to tune the transceiver TX waveform	
gt0_txpostcursor[4:0]	Input	Can be used to tune the transceiver TX waveform	
gt0_rxpolarity	Input	Switch the sense of the RXN/P pins	
gt0_txprbssel_in[2:0]	Input	TX Pattern Generator control signals to test signal integrity	
gt0_txprbsforceerr_in	Input	TX Pattern Generator control signals to test signal integrity	
gt0_rxprbscntreset_in	Input	RX Pattern Checker reset	
gt0_rxprbserr_out	Output	RX Pattern Checker error output	
gt0_rxprbssel_in	Input	RX Pattern Checker control signals to test signal integrity	
gt0_loopback_in[2:0]	Input	Loopback within transceiver	
gt0_txresetdone_out	Output	Transmitter Reset Done	
gt0_rxresetdone_out	Output	Receiver Reset Done	
gt0_rxdisperr_out[1:0]	Output	Indicates there is disparity error in received data	LSB is valid in all cases other than 1588 mode where both the bits are valid.
gt0_rxnotintable_out[1:0]	Output	Indicates received 10 bit pattern was not found in 8B/10B decode table	LSB is valid in all cases other than 1588 mode where both the bits are valid.
gt0_eyescanreset	Input	Reset the EYE Scan logic	
gt0_eyescantrigger	Input	Trigger the EYE Scan logic	
gt0_eyescanataerror	Output	Signals an error during Eye Scan	
gt0_rxcdrhold	Input	Freeze the CDR loop	
gt0_rxlpmhfhold_in	Input	GTP transceiver low-power mode signal	
gt0_rxlpmlfhold_in	Input	GTP transceiver low-power mode signal	

Table B-7: Ports Added for Transceiver Debug Feature (Cont'd)

Port Name and Width	In/Out	Description	What to do ⁽¹⁾
gt0_rxmonitorout_out[6:0]	Output	GTX/GTH transceiver RX DFE Signal	
gt0_rxmonitorse_in[1:0]	Input	GTX/GTH transceiver RX DFE Signal	

1. Drive this signal according to the relevant transceiver user guide. If DRP interface was unused in previous revisions, then generate without the Transceiver Debug feature.

Ports Moved

The following ports were moved under the Transceiver Debug Feature of the core (non-shared logic). If these signals were used in the previous version, then the Transceiver Debug Feature needs to be enabled and the appropriate signals mapped and remaining signals tied off to default values.

Table B-8: Ports Moved (non-shared logic)

Port Name and Width	In/Out	Description	What to do
gt0_drpdo_out, gt0_drprdy_out	Outputs	These signals come from the transceiver and should be connected either to an external arbiter or to the signals described in the following row.	If there is no external arbiter, connect these signals directly to the associated signals. If the interface is not used, the signals can be left open.
gt0_drpen_in, gt0_drpwe_in, gt0_drpaddr_in[8:0], gt0_drpdi_in[15:0], gt0_drpclkin	Inputs	These signals go to the transceiver, either from an external arbiter or from the signals described in the preceding row.	If there is no external arbiter, connect these signals directly to the associated core signals. If the interface is not used, tie off the signals to ground and gt0_drpclkin to txusrclk2.

1000BASE-X State Machines

This appendix is intended to serve as a reference for the basic operation of the 1000BASE-X IEEE 802.3-2008 clause 36 transmitter and receiver state machines.

Introduction

Table C-1 illustrates the Ordered Sets defined in IEEE 802.3-2008 clause 36 [Ref 4]. These code group characters are inserted by the PCS Transmit Engine into the transmitted data stream, encapsulating the Ethernet frames indicated by the GMII transmit signals.

The PCS Receive Engine performs the opposite function; it uses the Ordered Sets to detect the Ethernet frames and from them creates the GMII receive signals.

Cross reference Table C-1 with the remainder of this Appendix. See IEEE 802.3-2008 clause 36 [Ref 4] for further information on these Orders Sets.

Table C-1: Defined Ordered Sets

Code	Ordered_Set	No. of Code-Groups	Encoding
/C/	Configuration		Alternating /C1/ and /C2/
/C1/	Configuration 1	4	/K28.5/D21.5/Config_Reg ¹
/C2/	Configuration 2	4	/K28.5/D2.2/Config_Reg ¹
/I/	IDLE		Correcting /I1/, Preserving /I2/
/I1/	IDLE_1	2	/K28.5/D5.6/
/I2/	IDLE_2	2	/K28.5/D16.2/
	Encapsulation		
/R/	Carrier_Extend	1	/K23.7/
/S/	Start_of_Packet	1	/K27.7/
/T/	End_of_Packet	1	/K29.7/
/V/	Error_Propagation	1	/K30.7/

1. Two data code-groups representing the Config_Reg value (contains auto-negotiation information)

Start of Frame Encoding

The Even Transmission Case

Figure C-1 illustrates the translation of GMII encoding into the code-group stream performed by the PCS Transmit Engine. This stream is transmitted out of the core, either serially using the device-specific transceiver or in parallel across the TBI.



IMPORTANT: The encoding of Idle periods /I2/ is constructed from a couple of code groups—the /K28.5/ character (considered the even position) and the /D16.2/ character (considered the odd position).

In this example, the assertion of the `gmii_tx_en` signal of the GMII occurs in the even position. In response, the state machines insert a Start of Packet code group /S/ following the Idle (in the *even* position). This is inserted in place of the first byte of the frame preamble field.

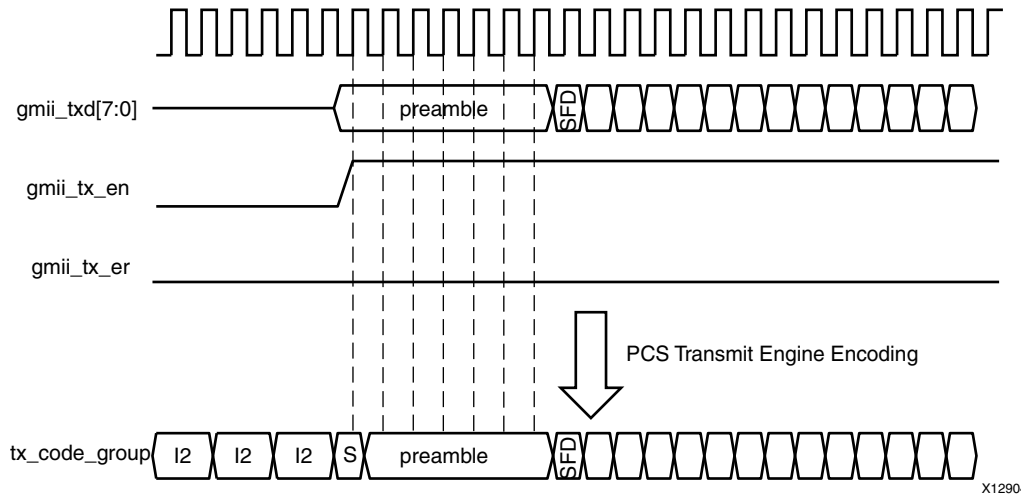


Figure C-1: 1000BASE-X Transmit State Machine Operation (Even Case)

Reception of the Even Case

Figure C-2 illustrates the reception of the in-bound code-group stream, received either serially using the device-specific transceiver, or in parallel across the TBI, and translation of this code-group stream into the receiver GMII. This is performed by the PCS Receive Engine.

The Start of Packet code group /S/ is replaced with a preamble byte. This results in the restoration of the full preamble field.

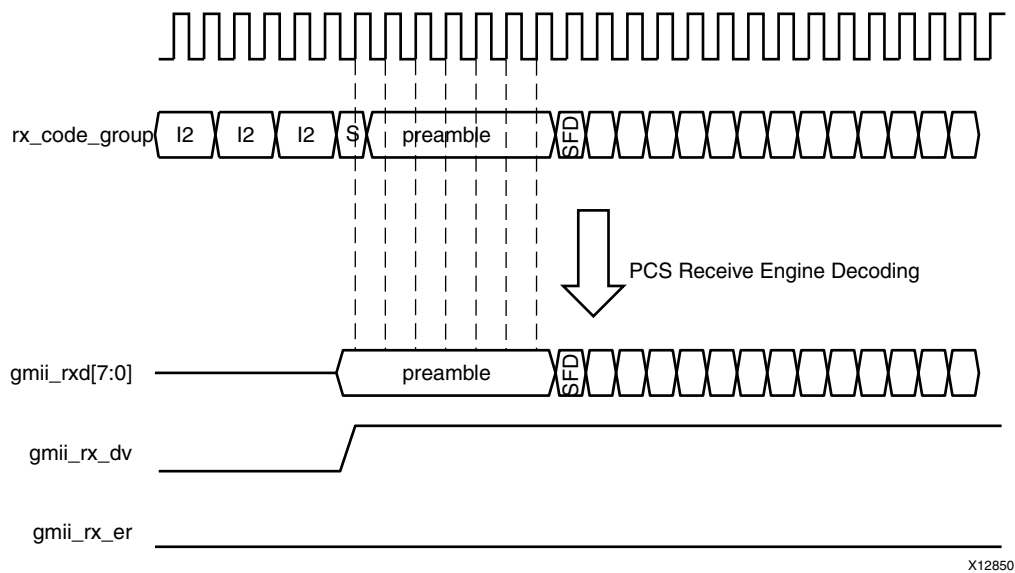


Figure C-2: 1000BASE-X Reception State Machine Operation (Even Case)

The Odd Transmission Case

Figure C-3 illustrates the translation of GMII encoding into the code-group stream performed by the PCS Transmit Engine; this stream is transmitted out of the core, either serially using the device-specific transceiver, or in parallel across the TBI.

In this example, the assertion of the `gmii_tx_en` signal of the GMII occurs in the *odd* position; in response, the state machines are unable to immediately insert a Start-Of-Packet code group `/S/` as the Idle character must first be completed. The Start of Packet code group `/S/` is therefore inserted (in the *even* position) after completing the Idle. This results in the `/D16.2/` character of the Idle `/I2/` sequence being inserted in place of the first byte of the preamble field, and the Start-Of-Packet `/S/` being inserted in place of the second byte of preamble as illustrated.

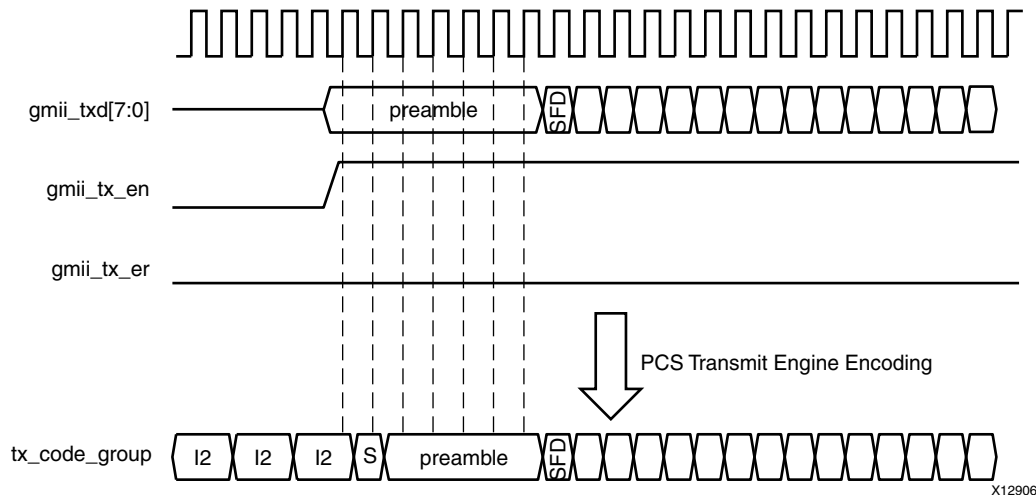


Figure C-3: 1000BASE-X Transmit State Machine Operation (Odd Case)

Reception of the Odd Case

Figure C-4 illustrates the reception of the in-bound code-group stream, received either serially using the device-specific transceiver, or in parallel across the TBI, and translation of this code-group stream into the receiver GMII. This is performed by the PCS Receive Engine.

The Start of Packet code group /S/ is again replaced with a preamble byte. However, the first preamble byte of the original transmit GMII (see Figure C-3) frame (which was replaced with the /D16.2/ character to complete the Idle sequence), has not been replaced. This has resulted in a single byte of preamble loss across the system.

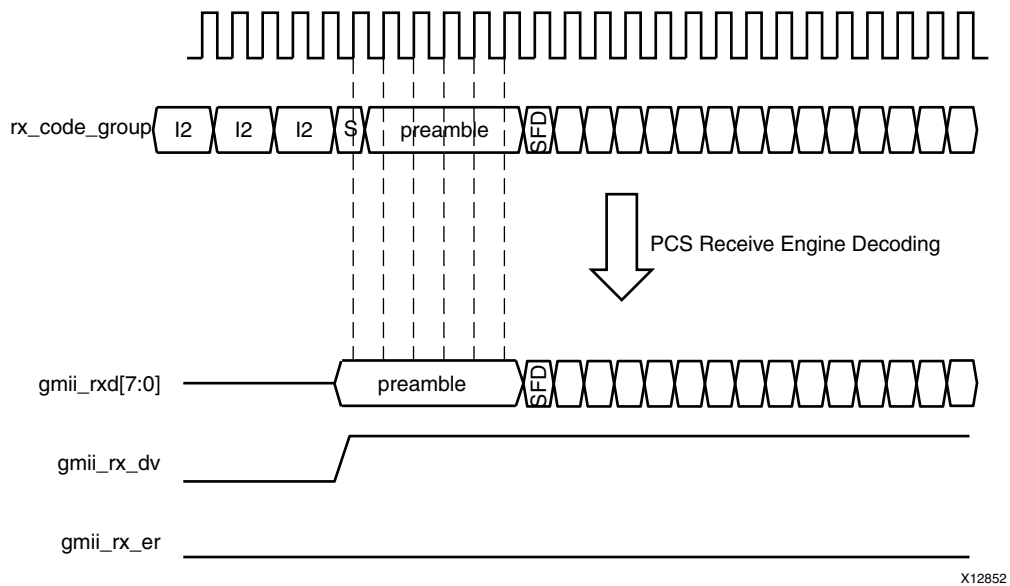


Figure C-4: 1000BASE-X Reception State Machine Operation (Odd Case)

Preamble Shrinkage

As previously described, a single byte of preamble can be lost across the 1000BASE-X system (the actual loss occurs in the 1000BASE-X PCS transmitter state machine).

- There is no specific statement for this preamble loss in the IEEE 802.3-2008 specification; the preamble loss falls out as a consequence of the state machines (see figures 36-5 and 36-6 in the IEEE 802.3-2008 specification).
- *IEEE 802.3ah-2004* does, however, specifically state in clause 65.1.3.2.1:

Note: The 1000BASE-X PCS transmit function replaces the first octet of preamble with the /S/ code-group or it discards the first octet and replaces the second octet of preamble with the /S/ code-group. This decision is based upon the even or odd alignment of the PCS transmit state diagram (see Figure 36-5)."

End of Frame Encoding

The Even Transmission Case

Figure C-5 illustrates the translation of GMII encoding into the code-group stream performed by the PCS Transmit Engine. This stream is transmitted out of the core, either serially using the device-specific transceiver or in parallel across the TBI.

In response to the deassertion of *gmi_i_tx_en*, an End of Packet code group /T/ is immediately inserted. The even and odd alignment described in [Start of Frame Encoding](#) persists throughout the Ethernet frame. If the /T/ character occurs in the even position (the frame contained an even number of bytes starting from the /S/ character), then this is followed with a single Carrier Extend code group /R/. This allows the /K28.5/ character of the following Idle code group to be aligned to the even position.

Note: The first Idle to follow the frame termination sequence will be a /I1/ if the frame ended with positive running disparity or a /I2/ if the frame ended with negative running disparity. This is illustrated as the shaded code group.

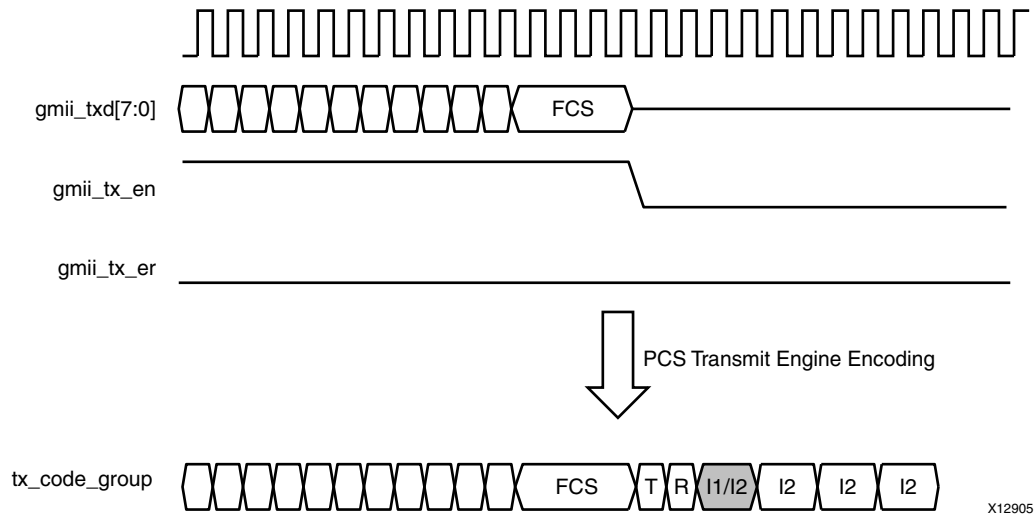


Figure C-5: 1000BASE-X Transmit State Machine Operation (Even Case)

Reception of the Even Case

Figure C-6 illustrates the reception of the in-bound code-group stream, received either serially using the device-specific transceiver, or in parallel across the TBI, and translation of this code-group stream into the receiver GMII. This is performed by the PCS Receive Engine.

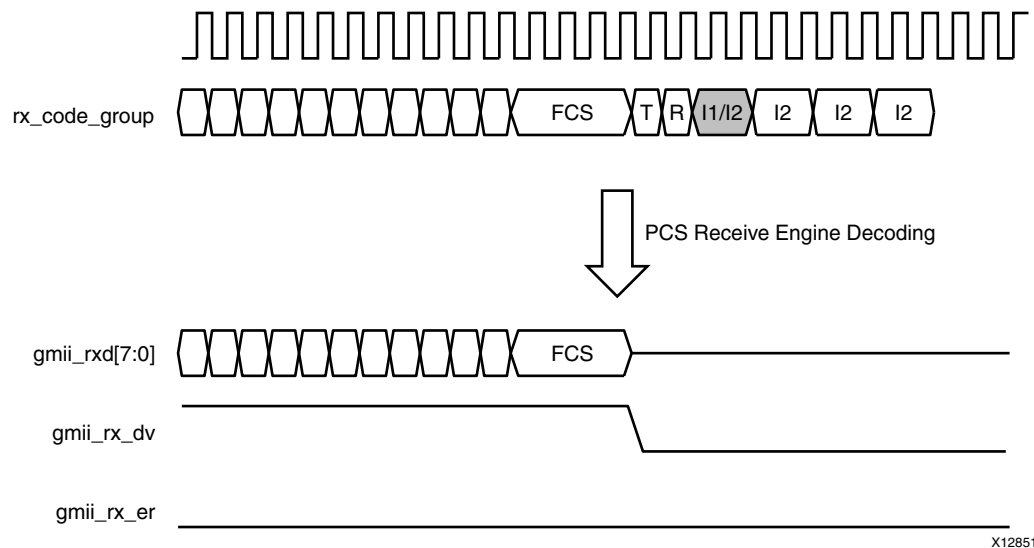


Figure C-6: 1000BASE-X Reception State Machine Operation (Even Case)

The Odd Transmission Case

Figure C-7 illustrates the translation of GMII encoding into the code-group stream performed by the PCS Transmit Engine; this stream is transmitted out of the core, either serially using the device-specific transceiver, or in parallel across the TBI.

In response to the deassertion of *gmii_tx_en*, an End of Packet code group /T/ is immediately inserted. The even and odd alignment described in [Start of Frame Encoding](#) persists throughout the Ethernet frame. If the /T/ character occurs in the odd position (the frame contained an odd number of bytes starting from the /S/ character), then this is followed with two Carrier Extend code groups /R/. This allows the /K28.5/ character of the following Idle code group to be aligned to the even position.

Note: The first Idle to follow the frame termination sequence will be a /I1/ if the frame ended with positive running disparity or a /I2/ if the frame ended with negative running disparity. This is illustrated as the shaded code group.

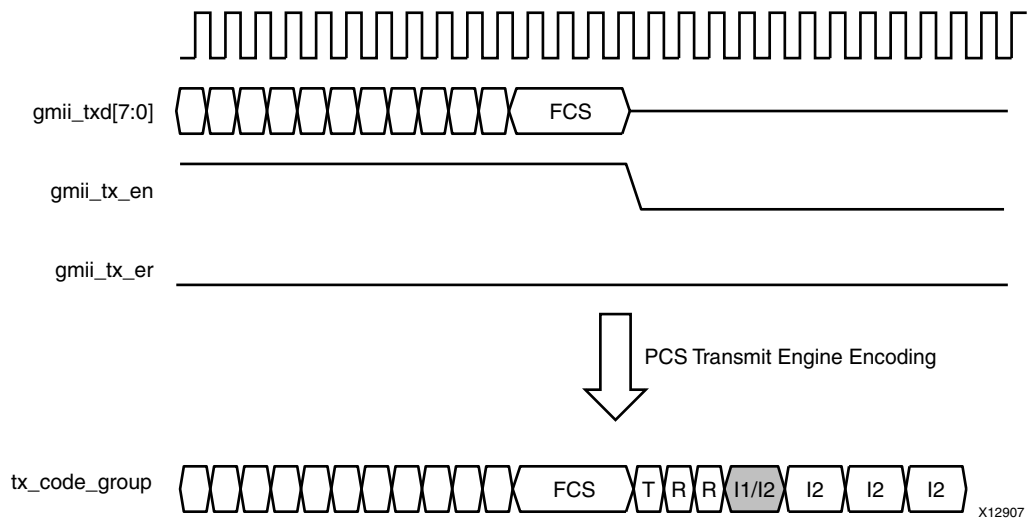


Figure C-7: 1000BASE-X Transmit State Machine Operation (Even Case)

Reception of the Odd Case

Figure C-8 illustrates the reception of the in-bound code-group stream, received either serially using the device-specific transceiver, or in parallel across the TBI, and translation of this code-group stream into the receiver GMII. This is performed by the PCS Receive Engine.

As defined in IEEE 802.3-2008 figure 36-7b, the combined /T/R/R/ sequence results in the GMII encoding of Frame Extension. This occurs for a single clock cycle following the end of frame reception; the `gmii_rx_er` signal is driven High and the frame extension code of 0x0F is driven onto `gmii_rxd[7:0]`. This occurs even in full-duplex mode.

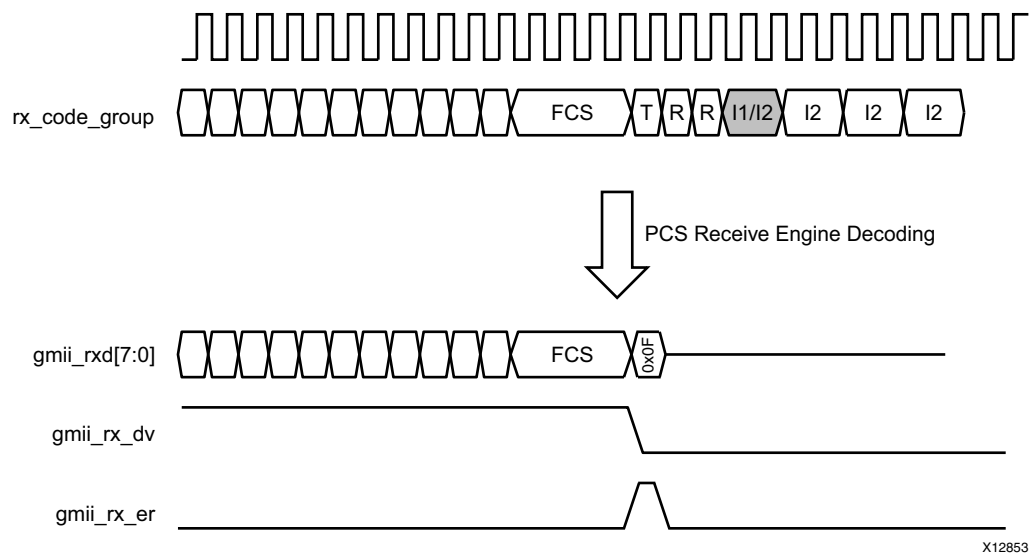


Figure C-8: 1000BASE-X Reception State Machine Operation (Odd Case)

Rx Elastic Buffer Specifications

This appendix is intended to serve as a reference for the Rx Elastic Buffer sizes used in the core and the related maximum frame sizes that can be used without causing a buffer underflow or overflow error.

Throughout this appendix, all analyses are based on 100 ppm clock tolerances on both sides of the elastic buffer (200 ppm total difference). This corresponds to the Ethernet clock tolerance specification.

Introduction

The need for an Rx Elastic Buffer is illustrated in [The Requirement for the FPGA Logic Rx Elastic Buffer](#). The analysis included in this chapter shows that for standard Ethernet clock tolerances (100 ppm) there can be a maximum difference of one clock edge every 5000 clock periods of the nominal 125 MHz clock frequency.

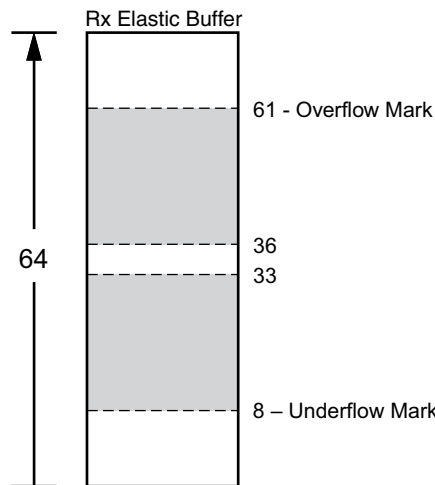
This slight difference in clock frequency on either side of the buffer accumulates and either starts to fill or empties the Rx Elastic Buffer over time. The Rx Elastic buffer copes with this by performing clock correction during the interframe gaps by either inserting or removing Idle characters. The Rx Elastic Buffer always attempts to restore the buffer occupancy to the half full level during an interframe gap. See [Clock Correction](#).

Rx Elastic Buffers: Depths and Maximum Frame Sizes

Device Specific Transceiver Rx Elastic Buffers

[Figure D-1](#) illustrates the transceiver Rx Elastic Buffer depths and thresholds in Kintex® Ultrascale™, Zynq®-7000, Virtex®-7, Kintex-7, and Artix®-7 families. Each FIFO word corresponds to a single character of data (equivalent to a single byte of data following 8B/10B decoding).

Virtex-7, Kintex-7, Artix-7 and Zynq Device Specific Transceiver



X12839

Figure D-1: Elastic Buffer Sizes for all Transceiver Families

Consider the example, where the shaded area represents the usable buffer availability for the duration of frame reception.

- If the buffer is filling during frame reception, there are $61 - 36 = 25$ FIFO locations available before the buffer reaches the overflow mark.
- If the buffer is emptying during reception, then there are $33 - 8 = 25$ FIFO locations available before the buffer reaches the underflow mark.

This analysis assumes that the buffer is approximately at the half-full level at the start of the frame reception. As illustrated, there are two locations of uncertainty, above and below the exact half-full mark of 32, resulting from the clock correction decision, and is based across an asynchronous boundary.

Because there is a worst-case scenario of one clock edge difference every 5000 clock periods, the maximum number of clock cycles (bytes) that can exist in a single frame passing through the buffer before an error occurs is:

$$5000 \times 25 = 125000 \text{ bytes}$$

Table D-1 translates this into maximum frame size at different Ethernet speeds. At SGMII speeds lower than 1 Gb/s, performance is diminished because bytes are repeated multiple times (see Chapter 8, Using the Encrypted Core Level Client-Side GMII for the SGMII Standard).

Table D-1: Maximum Frame Sizes: Transceiver Rx Elastic Buffers (100ppm Clock Tolerance)

Standard / Speed	Maximum Frame Size
1000BASE-X (1 Gb/s only)	125000
SGMII (1 Gb/s)	125000
SGMII (100 Mb/s)	12500
SGMII (10 Mb/s)	1250

SGMII FPGA Logic Rx Elastic Buffer

Figure D-2 illustrates the FPGA logic Rx Elastic Buffer depth. This logic elastic buffer is used with the core when:

- Performing [SGMII over LVDS](#).
- This buffer can optionally be used to replace the Rx Elastic Buffers of the transceiver when performing (see [Chapter 6, SGMII / Dynamic Standards Switching with Transceivers](#) (see [Receiver Elastic Buffer Implementations](#))).

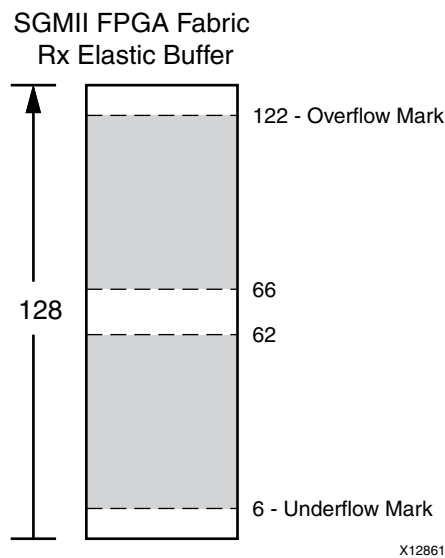


Figure D-2: Elastic Buffer Size for all Transceiver Families

The shaded area of [Figure D-2](#) represents the usable buffer availability for the duration of frame reception.

- If the buffer is filling during frame reception, there are $122 - 66 = 56$ FIFO locations available before the buffer reaches the overflow mark.
- If the buffer is emptying during reception, then there are $62 - 6 = 56$ FIFO locations available before the buffer reaches the underflow mark.

This analysis assumes the buffer is approximately at the half-full level at the start of the frame reception. As illustrated, there are two locations of uncertainty, above and below the exact half-full mark of 64. This is as a result of the clock correction decision, and is based across an asynchronous boundary.

Because there is a worst-case scenario of one clock edge difference every 5000 clock periods, the maximum number of clock cycles (bytes) that can exist in a single frame passing through the buffer before an error occurs is:

$$5000 \times 56 = 280000 \text{ bytes}$$

[Table D-2](#) translates this into maximum frame size at different Ethernet speeds. At SGMII speeds lower than 1 Gb/s, performance is diminished because bytes are repeated multiple times. See [Chapter 8, Using the Encrypted Core Level Client-Side GMII for the SGMII Standard](#).

Table D-2: Maximum Frame Sizes: FPGA logic Rx Elastic Buffers (100 ppm Clock Tolerance)

Standard / Speed	Maximum Frame Size
1000BASE-X (1 Gb/s only)	280000
SGMII (1 Gb/s)	280000
SGMII (100 Mb/s)	28000
SGMII (10 Mb/s)	2800

TBI Rx Elastic Buffer

For SGMII / Dynamic Switching

The Rx Elastic Buffer used for the SGMII or Dynamic Standards Switching is identical to the method used in [SGMII FPGA Logic Rx Elastic Buffer](#).

For 1000BASE-X

[Figure D-3](#) illustrates the Rx Elastic Buffer depth and thresholds when using the Ten-Bit-Interface with the 1000BASE-X standard. This buffer is intentionally smaller than the equivalent buffer for SGMII/Dynamic Switching. Because a larger size is not required, the buffer is kept smaller to save logic and keep latency low. Each FIFO word corresponds to a single character of data (equivalent to a single byte of data following 8B/10B decoding).

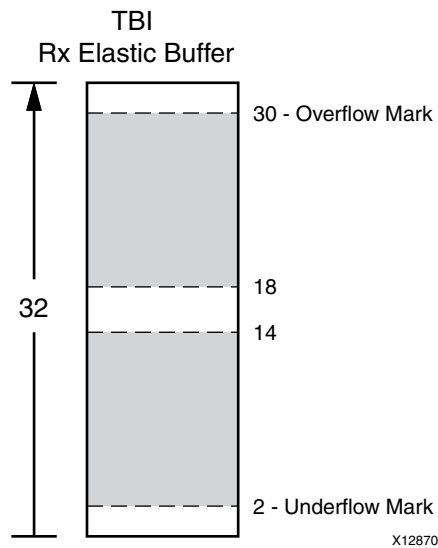


Figure D-3: TBI Elastic Buffer Size for All Families

The shaded area of Figure D-3 represents the usable buffer availability for the duration of frame reception.

- If the buffer is filling during frame reception, then there are $30 - 18 = 12$ FIFO locations available before the buffer reaches the overflow mark.
- If the buffer is emptying during reception, then there are $14 - 2 = 12$ FIFO locations available before the buffer reaches the underflow mark.

This analysis assumes that the buffer is approximately at the half-full level at the start of the frame reception. As illustrated, there are two locations of uncertainty above and below the exact half-full mark of 16. This is as a result of the clock correction decision, and is based across an asynchronous boundary.

Because there is a worst-case scenario of 1 clock edge difference every 5000 clock periods, the maximum number of clock cycles (bytes) that can exist in a single frame passing through the buffer before an error occurs is:

$$5000 \times 12 = 60000 \text{ bytes}$$

This translates into a maximum frame size of 60000 bytes.

Clock Correction

The calculations in all previous sections assumes that the Rx Elastic Buffers are restored to approximately half occupancy at the start of each frame. This is achieved by the elastic buffer performing clock correction during the interframe gaps either by inserting or removing Idle characters as required.

- If the Rx Elastic Buffer is emptying during frame reception, there are no restrictions on the number of Idle characters that can be inserted due to clock correction. The occupancy will be restored to half full and the assumption holds true.
- If the Rx Elastic Buffer is filling during frame reception, Idle characters need to be removed. Restrictions that need to be considered are described in the following sections.

Idle Character Removal at 1 Gb/s (1000BASE-X and SGMII)

The minimum number of clock cycles that can be presented to an Ethernet receiver, according to the *IEEE 802.3-2008* specification, is 64-bit times at any Ethernet speed. At 1 Gb/s 1000BASE-X and SGMII, this corresponds to 8 bytes (8 clock cycles) of interframe gap. However, an interframe gap consists of many code groups, namely /T/, /R/, /I1/ and /I2/ characters (see [Appendix C, 1000BASE-X State Machines](#)). Of these, only /I2/ can be used as clock correction characters.

In a minimum interframe gap at 1 Gb/s, you can only assume that two /I2/ characters are available for removal. This corresponds to 4 bytes of data.

Looking at this from another perspective, 4 bytes of data need to be removed in an elastic buffer (which is filling during frame reception) for a frame which is $5000 \times 4 = 20000$ bytes in length. So if the frame being received is 20000 bytes in length or shorter, at 1 Gb/s, you can assume that the occupancy of the elastic buffer will always self correct to half full before the start of the subsequent frame.

For frames that are longer than 20000 bytes, the assumption that the elastic buffer will be restored to half full occupancy does not hold true. For example, for a long stream of 250000 byte frames, each separated by a minimum interframe gap, the Rx Elastic Buffer will eventually fill and overflow. This is despite the 250000 byte frame length being less than the maximum frame size calculated in the [Rx Elastic Buffers: Depths and Maximum Frame Sizes](#) section.

However, because the legal maximum frame size for Ethernet frames is 1522 bytes (for a VLAN frame), idle character removal restrictions are not usually an issue.

Idle Character Removal at 100 Mb/s (SGMII)

At SGMII, 100 Mb/s, each byte is repeated 10 times. This also applies to the interframe gap period. For this reason, the minimum of 8 bytes for the 1 Gb/s case corresponds to a minimum of 80 bytes for the 100 Mb/s case.

Additionally, the majority of characters in this 80-byte interframe-gap period are going to be the /I2/ clock correction characters. Because of the clock correction circuitry design, a minimum of 20 /I2/ code groups will be available for removal. This translates into 40 bytes, giving a maximum run size of $40 \times 5000 = 200000$ bytes. Because each byte at 100 Mb/s is repeated ten times, this corresponds to an Ethernet frame size of 20000 bytes, the same size as the 1 Gb/s case.

So in summary, at 100 Mb/s, for any frame size of 20000 bytes or less, it can still be assumed that the Elastic Buffer will return to half full occupancy before the start of the next frame. However, a frame size of 20000 is larger than can be received in the device-specific transceiver Elastic Buffer (see [Rx Elastic Buffers: Depths and Maximum Frame Sizes](#)). Only the SGMII FPGA Logic Rx Elastic buffer is large enough.

Idle Character Removal at 10 Mb/s (SGMII)

Using a similar argument to the 100 Mb/s case, it can be shown that clock correction circuitry can also cope with a frame size up to 20000 bytes. However, this is larger than the maximum frame size for any Elastic Buffer provided with the core (see [Rx Elastic Buffers: Depths and Maximum Frame Sizes](#)).

Maximum Frame Sizes for Sustained Frame Reception

Sustained frame reception refers to the maximum size of frames which can be continuously received when each frame is separated by a minimum interframe gap.

The size of frames that can be reliably received is dependent on the two considerations previously introduced in this appendix:

- The size of the Elastic Buffer, see [Rx Elastic Buffers: Depths and Maximum Frame Sizes](#)
- The number of clock correction characters present in a minimum interframe gap, (see [Clock Correction](#))

Table D-3 summarizes the maximum frame sizes for sustained frame reception when used with the different Rx Elastic Buffers provided with the core. All frame sizes are provided in bytes.

Table D-3: Maximum Frame Size: (Sustained Frame Reception) Capabilities of the Rx Elastic Buffers

Ethernet Standard and Speed	Rx Elastic Buffer Type		
	TBI	Device Specific Transceiver	SGMII FPGA Logic Buffer (optional for use with device-specific transceivers)
1000BASE-X (1 Gb/s)	20000 (limited by clock correction)	20000 (limited by clock correction)	20000 (limited by clock correction)
SGMII 1 Gb/s	20000 (limited by clock correction)	20000 (limited by clock correction)	20000 (limited by clock correction)
SGMII 100 Mb/s	20000 (limited by clock correction)	9000 (limited by buffer size)	20000 (limited by clock correction)
SGMII 10 Mb/s	2800 (limited by buffer size)	900 (limited by buffer size)	2800 (limited by buffer size)

Jumbo Frame Reception

A jumbo frame is an Ethernet frame which is deliberately larger than the maximum sized Ethernet frame allowed in the *IEEE 802.3-2008* specification. The size of jumbo frames that can be reliably received is identical to the frame sizes defined in [Maximum Frame Sizes for Sustained Frame Reception](#).

Implementing External GMII

In certain applications, the client-side GMII datapath can be used as a true GMII to connect externally off-device across a PCB. This external GMII functionality is included in the HDL example design delivered with the core by the IP catalog for 1000BASE-X designs. This extra logic required to accomplish this is described in this Appendix.

Note: Virtex®-7 devices support GMII at 3.3 V or lower only in certain parts and packages; see the Virtex-7 Device Documentation. Zynq®-7000, Kintex®-7, and Artix®-7 devices support GMII at 3.3V or lower.

GMII Transmitter Logic (Zynq-7000, Virtex-7, Kintex-7, and Artix-7 Devices)

When implementing an external GMII, the GMII transmitter signals will be synchronous to their own clock domain. The core must be used with a Transmitter Elastic Buffer to transfer these GMII transmitter signals onto the cores internal 125 MHz reference clock (`gtx_clk` when using the TBI; `userclk2` when using the device-specific transceiver). A Transmitter Elastic Buffer is provided for the 1000BASE-X standard by the example design provided with the core.

Use a combination of IODELAY elements on the data, and use BUFIO and BUFR regional clock routing for the `gmi_i_tx_clk` input clock, as illustrated in [Figure E-1](#).

The design for Case 2 provides a simpler solution than that of Case 1. It has therefore been chosen as the default example design for Artix-7, Virtex-7, Kintex-7, and Zynq-7000 devices.

In this implementation, a BUFIO is used to provide the lowest form of clock routing delay from input clock to input GMII Tx signal sampling at the device IOBs. Note, however, that this creates placement constraints; a BUFIO capable clock input pin must be selected, and all other input GMII Tx signals must be placed in the respective BUFIO region. The device FPGA user guides should be consulted.

The clock is then placed onto regional clock routing using the BUFR component and the input GMII Tx data immediately resampled as illustrated.

The IODELAY elements can be adjusted to fine-tune the setup and hold times at the GMII IOB input flip-flops. The delay is applied to the IODELAY element using constraints in the XDC; these can be edited if desired.

GMII Receiver Logic

Figure E-1 illustrates an external GMII receiver created in a 7 series device.

The signal names and logic shown in the figure exactly match those delivered with the example design when the GMII is selected. If other families are selected, equivalent primitives and logic specific to that family is automatically used in the example design.

Figure E-1 also shows that the output receiver signals are registered in device IOBs before driving them to the device pads. The logic required to forward the receiver GMII clock is also shown. This uses an IOB output Double-Data-Rate (DDR) register so that the clock signal produced incurs exactly the same delay as the data and control signals. This clock signal, `gmi_i_rx_clk`, is inverted so that the rising edge of `gmi_i_rx_clk` occurs in the center of the data valid window, which maximizes setup and hold times across the interface. All receiver logic is synchronous to a single clock domain.

The clock name varies depending on the core configuration options. When used with the device-specific transceiver, the clock name is `userclk2`; when used with the TBI, the clock name is `gtx_clk`. For more information on clocking, see [Chapter 4, The Ten-Bit Interface](#), and [Chapter 5, 1000BASE-X with Transceivers](#).

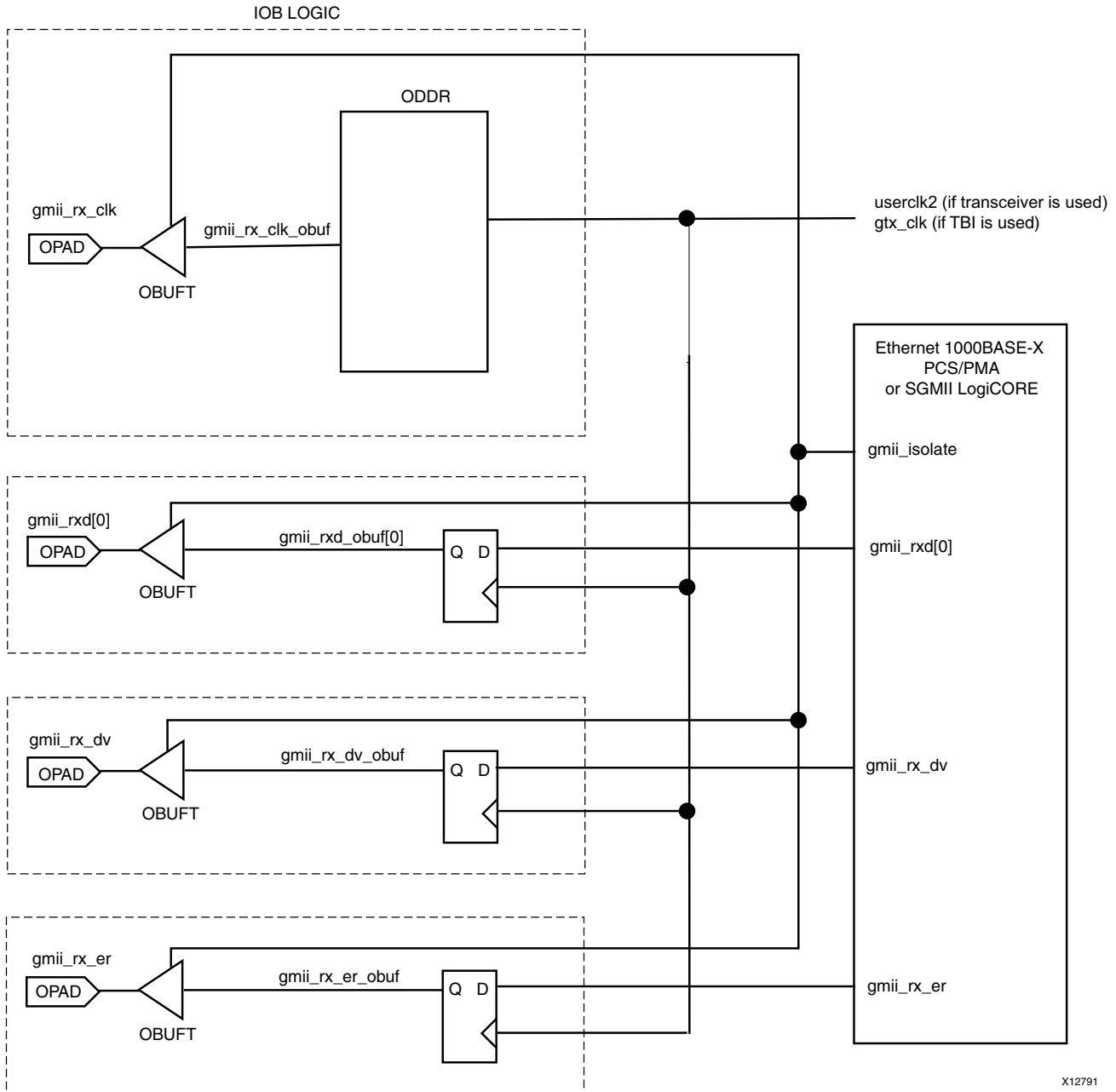


Figure E-1: External GMII Receiver Logic

Debugging

This appendix includes details about resources available on the Xilinx Support website and debugging tools.

Finding Help on Xilinx.com

To help in the design and debug process when using the 1000BASE-X PCS/PMA or SGMII core, the [Xilinx Support web page](http://www.xilinx.com/support) (www.xilinx.com/support) contains key resources such as product documentation, release notes, answer records, information about known issues, and links for obtaining further product support.

Documentation

This product guide is the main document associated with the 1000BASE-X PCS/PMA or SGMII core. This guide, along with documentation related to all products that aid in the design process, can be found on the Xilinx Support web page (www.xilinx.com/support) or by using the Xilinx Documentation Navigator.

Download the Xilinx Documentation Navigator from the Design Tools tab on the Downloads page (www.xilinx.com/download). For more information about this tool and the features available, open the online help after installation.

Solution Centers

See the [Xilinx Solution Centers](#) for support on devices, software tools, and intellectual property at all stages of the design cycle. Topics include design assistance, advisories, and troubleshooting tips. See [Xilinx Ethernet IP Solution Center](#)

Answer Records

Answer Records include information about commonly encountered problems, helpful information on how to resolve these problems, and any known issues with a Xilinx product. Answer Records are created and maintained daily ensuring that users have access to the most accurate information available.

Answer Records for this core are shown in the following bulleted list, and can also be located by using the Search Support box on the main [Xilinx support web page](#). To maximize your search results, use proper keywords such as

- Product name
- Tool message(s)
- Summary of the issue encountered

A filter search is available after results are returned to further target the results.

Master Answer Record for the 1000BASE-X PCS/PMA or SGMII Core

AR: [54667](#)

Contacting Technical Support

Xilinx provides technical support at www.xilinx.com/support for this LogiCORE™ IP product when used as described in the product documentation. Xilinx cannot guarantee timing, functionality, or support of product if implemented in devices that are not defined in the documentation, if customized beyond that allowed in the product documentation, or if changes are made to any section of the design labeled DO NOT MODIFY.

Xilinx provides premier technical support for customers encountering issues that require additional assistance.

To contact Xilinx Technical Support:

1. Navigate to www.xilinx.com/support.
2. Open a WebCase by selecting the [WebCase](#) link located under Additional Resources.

When opening a WebCase, include:

- Target FPGA including package and speed grade.
- All applicable Xilinx Design Tools and simulator software versions.
- Additional files based on the specific issue might also be required. See the relevant sections in this debug guide for guidelines about which file(s) to include with the WebCase.

Note: Access to WebCase is not available in all cases. Login to the WebCase tool to see your specific support options.

Debug Tools

There are many tools available to address 1000BASE-X PCS/PMA or SGMII core design issues. It is important to know which tools are useful for debugging various situations.

Vivado Lab Tools

Vivado® lab tools insert logic analyzer and virtual I/O cores directly into your design. Vivado lab tools allow you to set trigger conditions to capture application and integrated block port signals in hardware. Captured signals can then be analyzed. This feature represents the functionality in the Vivado IDE that is used for logic debugging and validation of a design running in Xilinx devices in hardware.

The Vivado logic analyzer is used to interact with the logic debug LogiCORE IP cores, including:

- ILA 2.0 (and later versions)
- VIO 2.0 (and later versions)

See *Vivado Design Suite User Guide: Programming and Debugging* (UG908) [Ref 17].

Reference Boards

Various Xilinx development boards support 1000BASE-X PCS/PMA or SGMII core. These boards can be used to prototype designs and establish that the core can communicate with the system.

- 7 series FPGA evaluation boards
 - KC705
 - VC707

Simulation Debug

The simulation debug flow for Questa® SIM is illustrated in Figure F-1. A similar approach can be used with other simulators.

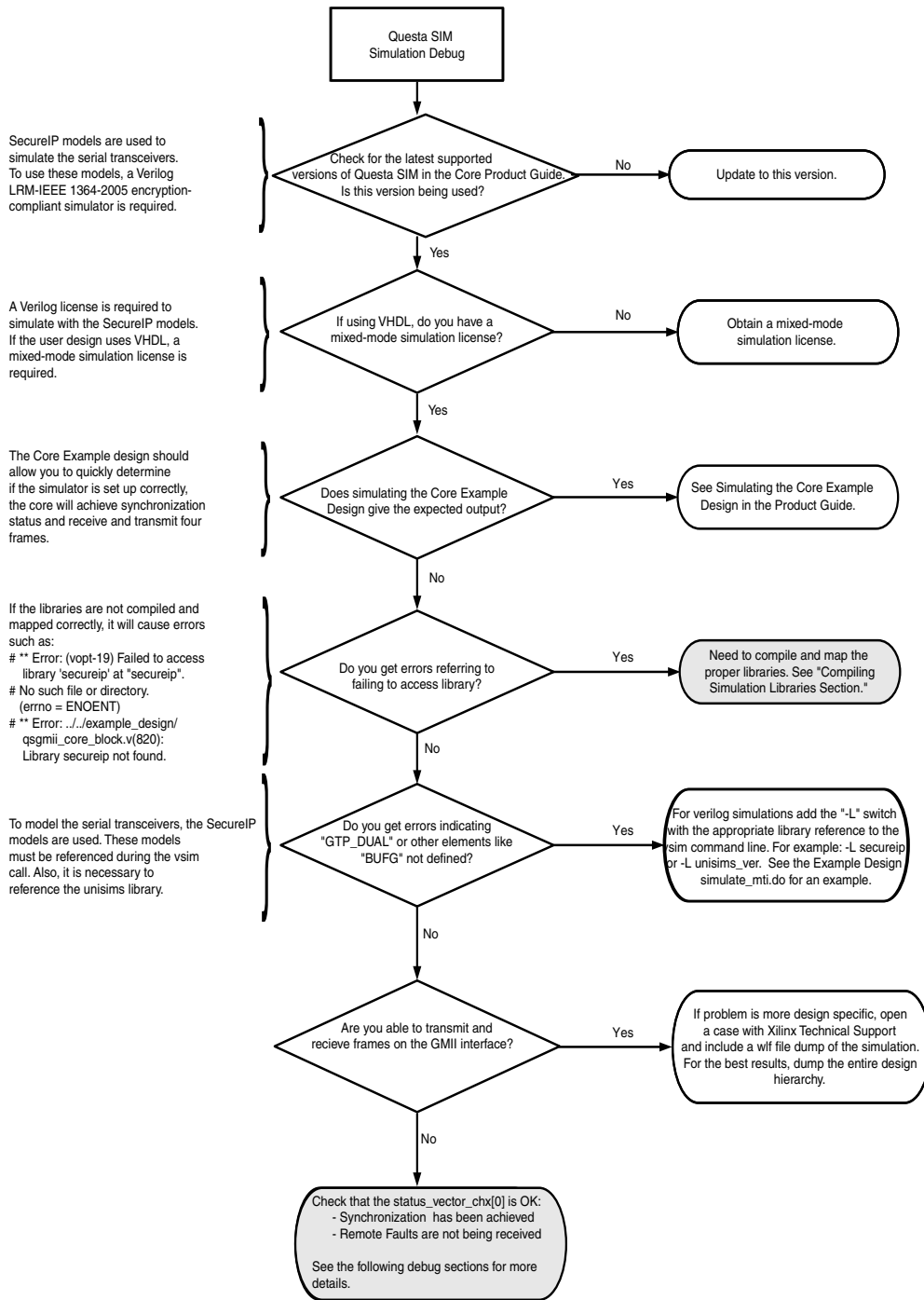


Figure F-1: Simulation Debug Flow

Hardware Debug

Hardware issues can range from link bring-up to problems seen after hours of testing. This section provides debug steps for common issues. The Vivado lab tools are a valuable resource to use in hardware debug. The signal names mentioned in the following individual sections can be probed using the Vivado lab tools for debugging the specific problems.

Details are provided on:

- [General Checks](#)
- [Problems with the MDIO](#)
- [Problems with Data Reception or Transmission](#)
- [Problems with Auto-Negotiation](#)
- [Problems in Obtaining a Link \(Auto-Negotiation Disabled\)](#)
- [Problems with a High Bit Error Rate](#)

General Checks

- Ensure that all the timing constraints for the core were met during Place and Route.
- Does it work in timing simulation? If problems are seen in hardware but not in timing simulation, this could indicate a PCB issue.
- Ensure that all clock sources are clean. If using DCMs in the design, ensure that all DCMs have obtained lock by monitoring the `locked` port.
- In case Clock Data Recovery (CDR) is not getting done on board, increase `RX_CDRLOCK_TIME` parameter in the `gtwizard_init` file. This value is silicon specific. The value given by default is a typical value and can be increased to the maximum `TDLOCK` value as specified in the device datasheet.

Problems with the MDIO

- Ensure that the MDIO is driven properly. See [MDIO Management Interface](#) for detailed information about performing MDIO transactions.
- Check that the `m̄dc` clock is running and that the frequency is 2.5 MHz or less.
- Read from a configuration register that does not have all 0s as a default. If all 0s are read back, the read was unsuccessful. Check that the PHYAD field placed into the MDIO frame matches the value placed on the `phyad[4:0]` of the core.

Problems with Data Reception or Transmission

When no data is being received or transmitted:

- Ensure that a valid link has been established between the core and its link partner, either by auto-negotiation or manual configuration: `status_vector[0]` and `status_vector[1]` should both be High. If no link has been established, see the topics discussed in the next section.

- [Problems with Auto-Negotiation](#)
- [Problems in Obtaining a Link \(Auto-Negotiation Disabled\)](#)

Note: Transmission through the core is not allowed unless a link has been established. This behavior can be overridden by setting the Unidirectional Enable bit.

- Ensure that the Isolate state has been disabled.

By default, the Isolate state is enabled after power-up. For an external GMII, the PHY will be electrically isolated from the GMII; for an internal GMII, it will behave as if it is isolated. This results in no data transfer across the GMII. See [Start-up Sequencing](#) for more information.

If data is being transmitted and received between the core and its link partner, but with a high rate of packet loss, see [Chapter 12, Special Design Considerations](#).

Problems with Auto-Negotiation

Determine whether auto-negotiation has completed successfully by doing one of the following.

- Poll the auto-negotiation completion bit 1.5 in [Register 1: Status Register](#)
- Use the auto-negotiation interrupt port of the core (see [Using the Auto-Negotiation Interrupt](#)).

If Auto-Negotiation is not completing:

1. Ensure that auto-negotiation is enabled in *both* the core and in the link partner (the device or test equipment connected to the core). Auto-Negotiation cannot complete successfully unless both devices are configured to perform auto-negotiation.

The auto-negotiation procedure requires that the auto-negotiation handshaking protocol between the core and its link partner, which lasts for several link timer periods, occur without a bit error. A detected bit error causes auto-negotiation to go back to the beginning and restart.

Therefore, a link with an exceptionally high bit error rate might not be capable of completing auto-negotiation, or might lead to a long auto-negotiation period caused by the numerous auto-negotiation restarts. If this appears to be the case, try the next step and see [Problems with a High Bit Error Rate](#).

2. Try disabling auto-negotiation in both the core and the link partner and see if both devices report a valid link and are able to pass traffic. If they do, it proves that the core and link partner are otherwise configured correctly. If they do not pass traffic, see [Problems in Obtaining a Link \(Auto-Negotiation Disabled\)](#).

Problems in Obtaining a Link (Auto-Negotiation Disabled)

Determine whether the device has successfully obtained a link with its link partner by doing the following:

- Reading bit 1.2, Link Status, in MDIO Register 1: Status register, (see [MDIO Register 1: Status Register](#)) when using the optional MDIO management interface (or look at `status_vector[1]`).
- Monitoring the state of `status_vector[0]`. If this is logic 1, then synchronization, and therefore a link, has been established. See [Bit\[0\]: Link Status](#).

If the devices have failed to form a link then do the following:

- Ensure that auto-negotiation is disabled in *both* the core and in the link partner (the device or test equipment connected to the core).
 - Monitor the state of the `signal_detect` signal input to the core. This should either be:
 - connected to an optical module to detect the presence of light. Logic 1 indicates that the optical module is correctly detecting light; logic 0 indicates a fault. Therefore, ensure that this is driven with the correct polarity.
 - Signal must be tied to logic 1 (if not connected to an optical module).
- Note:** When `signal_detect` is set to logic 0, this forces the receiver synchronization state machine of the core to remain in the loss of sync state.
- See [Problems with a High Bit Error Rate](#) in a subsequent section.

When using a device-specific transceiver, perform these additional checks:

- Ensure that the polarities of the `txn/txp` and `rxn/rxp` lines are not reversed. If they are, this can be fixed by using the `txpolarity` and `rxpolarity` ports of the device-specific transceiver.
- Check that the device-specific transceiver is not being held in reset by monitoring the `mgt_tx_reset` and `mgt_rx_reset` signals between the core and the device-specific transceiver. If these are asserted then this indicates that the PMA PLL circuitry in the device-specific transceiver has not obtained lock; check the PLL Lock signals output from the device-specific transceiver.

- Monitor the `RXBUFERR` signal when auto-negotiation is disabled. If this is being asserted, the Elastic Buffer in the receiver path of the device-specific transceiver is either under or overflowing. This indicates a clock correction issue caused by differences between the transmitting and receiving ends. Check all clock management circuitry and clock frequencies applied to the core and to the device-specific transceiver.

Problems with a High Bit Error Rate

Symptoms

The severity of a high-bit error rate can vary and cause any of the following symptoms:

- Failure to complete auto-negotiation when auto-negotiation is enabled.
- Failure to obtain a link when auto-negotiation is disabled in both the core and the link partner.
- High proportion of lost packets when passed between two connected devices that are capable of obtaining a link through auto-negotiation or otherwise. This can usually be accurately measured if the Ethernet MAC attached to the core contains statistic counters.

Note: All bit errors detected by the 1000BASE-X PCS/PMA logic during frame reception show up as Frame Check Sequence Errors in an attached Ethernet MAC.

Debugging

- Compare the problem across several devices or PCBs to ensure that the problem is not a one-off case.
- Try using an alternative link partner or test equipment and then compare results.
- Try putting the core into loopback (both by placing the core into internal loopback, and by looping back the optical cable) and compare the behavior. The core should always be capable of Auto-Negotiating with itself and looping back with itself from transmitter to receiver so direct comparisons can be made. If the core exhibits correct operation when placed into internal loopback, but not when loopback is performed through an optical cable, this can indicate a faulty optical module or a PCB problem.
- Try swapping the optical module on a misperforming device and repeat the tests.

Perform these additional checks when using a device-specific transceiver:

- Directly monitor the following ports of the device-specific transceiver by attaching error counters to them, or by triggering on them using the Vivado lab tools or an external logic analyzer.

```
rxdisperr
```

```
rxnotintable
```

These signals should not be asserted over the duration of a few seconds, minutes or even hours. If they are frequently asserted, it might indicate a problem with the device-specific transceiver. Consult [Answer Record 19699](#) for debugging device-specific transceiver issues.

- Place the device-specific transceiver into parallel or serial loopback.
 - If the core exhibits correct operation in device-specific transceiver serial loopback, but not when loopback is performed by an optical cable, it might indicate a faulty optical module.
 - If the core exhibits correct operation in device-specific transceiver parallel loopback but not in serial loopback, this can indicate a device-specific transceiver problem. See [Answer Record 19699](#) for details.
- A mild form of bit error rate might be solved by adjusting the transmitter TX_PREEMPHASIS, TX_DIFF_CTRL and TERMINATION_IMP attributes of the device-specific transceiver.

Additional Resources

Xilinx Resources

For support resources such as Answers, Documentation, Downloads, and Forums, see the Xilinx Support website at:

www.xilinx.com/support.

For a glossary of technical terms used in Xilinx documentation, see:

www.xilinx.com/company/terms.htm.

References

To search for Xilinx documentation, go to www.xilinx.com/support/documentation/index.htm.

1. *Serial-GMII Specification V1.7* (CISCO SYSTEMS, ([ENG-46158](#)))
2. *7 Series FPGAs SelectIO™ Resources User Guide* ([UG471](#))
3. *LVDS 4x Asynchronous Oversampling Using 7 Series FPGAs* ([XAPP523](#))
4. *Ethernet Standard 802.3-2008 Clauses 35, 36 and 38* ([Part 3](#))
5. *Ethernet Standard 802.3-2008 Clause 22* ([Section 2](#))
6. *LogiCORE IP 7 Series FPGAs Transceivers Wizard Product Guide* ([PG168](#))
7. *7 Series FPGAs GTX/GTH Transceivers User Guide* ([UG476](#))
8. *7 Series FPGAs GTP Transceivers User Guide* ([UG482](#))
9. *7 Series FPGA Clocking Resources User Guide* ([UG472](#))
10. *Parameterizable 8b/10b Encoder* ([XAPP1122](#))
11. *LogiCORE IP Tri-Mode Ethernet MAC Product Guide* ([PG051](#))
12. *Vivado Design Suite User Guide: Designing IP Subsystems using IP Integrator* ([UG994](#))
13. *Vivado Design Suite User Guide: Designing with IP* ([UG896](#))

14. *Vivado Design Suite User Guide: Getting Started* ([UG910](#))
15. *Vivado Design Suite User Guide - Logic Simulation* ([UG900](#))
16. *ISE to Vivado Design Suite Migration Guide* ([UG911](#))
17. *Vivado Design Suite User Guide: Programming and Debugging* ([UG908](#))
18. *Zynq-7000 All Programmable SoC Technical Reference Manual* ([UG585](#))

Additional Core Resources

After generating the core, the *Ethernet 1000BASE-X PCS/PMA or SGMII Release Notes* are available in the document directory

Related Xilinx Ethernet Products and Services

For information about all Xilinx Ethernet solutions, see www.xilinx.com/products/design_resources/conn_central/protocols/gigabit_ethernet.htm.

Specifications

- *IEEE 802.3-2008*
- *Serial-GMII Specification V1.7* (CISCO SYSTEMS, ENG-46158)

Revision History

The following table shows the revision history for this document.

Date	Version	Revision
7/25/2012	1.0	Initial Xilinx release in product guide format. This document is based on the following documents: <ul style="list-style-type: none"> • <i>LogiCORE IP Ethernet 1000BASE-X PCS/PMA or SGMII v11.3 Product Guide</i> • <i>LogiCORE IP Ethernet 1000BASE-X PCS/PMA or SGMII v11.3 Data Sheet</i>
10/16/2012	1.1	Updated for 14.3 and 2012.3. Added Gigabit Ethernet EDK application for Zynq®-7000 devices.
12/18/2012	1.2	<ul style="list-style-type: none"> • Updated for 14.4 and 2012.4. Updated to core version 11.5. • Updated Debugging appendix. • Added new information about Artix®-7 FPGAs throughout the guide • Added XCI file information. • Added statement about wait time for Vivado Design Suite use with transceiver wizards. • Updated Figures 6-8, 6-9, 6-10, 6-17, 7-2, and G-1. • Added XDC information.

03/20/2013	2.0	<ul style="list-style-type: none"> • Updated to core version 12.0. • Removed all material related to devices not supported by the Vivado Design Suite. • Removed all material related to ISE® Design Suite, CORE Generator™ tools, and UCF. • Updated 7 series FPGA transceivers diagrams. • Added Zynq support for SGMII over LVDS feature.
06/19/2013	13.0	<ul style="list-style-type: none"> • Revision number advanced to 13.0 to align with core version number 13.0. • Added Zynq-7000 AP SoC EMAC support. • Added 1588 (PTP) support in the core. • Modified PHYAD to be a GUI option instead of block level port. • Updated Figures 2-2, 2-3, 2-6, 2-7, 2-8, 2-9, 13-1, 13-2, 13-3, and 13-4.
10/02/2013	14.0	<ul style="list-style-type: none"> • Removed link timer value ports from block_wrapper • Enhanced support for IP Integrator. • Reduced warnings in synthesis and simulation. • Updated clock synchronizers to improve Mean Time Between Failures (MTBF) for metastability. • Added optional transceiver control and status ports. • Added Vivado IDE option to include or exclude shareable logic resources in the core. • Added new board Vivado IDE tab for targeting evaluation boards.
12/18/2013	14.1	<ul style="list-style-type: none"> • Added UltraScale™ architecture support. • Added 1588(PTP) GTH transceiver support in the core. • Updated screen displays in Chapter 13.

Notice of Disclaimer

The information disclosed to you hereunder (the "Materials") is provided solely for the selection and use of Xilinx products. To the maximum extent permitted by applicable law: (1) Materials are made available "AS IS" and with all faults, Xilinx hereby DISCLAIMS ALL WARRANTIES AND CONDITIONS, EXPRESS, IMPLIED, OR STATUTORY, INCLUDING BUT NOT LIMITED TO WARRANTIES OF MERCHANTABILITY, NON-INFRINGEMENT, OR FITNESS FOR ANY PARTICULAR PURPOSE; and (2) Xilinx shall not be liable (whether in contract or tort, including negligence, or under any other theory of liability) for any loss or damage of any kind or nature related to, arising under, or in connection with, the Materials (including your use of the Materials), including for any direct, indirect, special, incidental, or consequential loss or damage (including loss of data, profits, goodwill, or any type of loss or damage suffered as a result of any action brought by a third party) even if such damage or loss was reasonably foreseeable or Xilinx had been advised of the possibility of the same. Xilinx assumes no obligation to correct any errors contained in the Materials or to notify you of updates to the Materials or to product specifications. You may not reproduce, modify, distribute, or publicly display the Materials without prior written consent. Certain products are subject to the terms and conditions of the Limited Warranties which can be viewed at <http://www.xilinx.com/warranty.htm>; IP cores may be subject to warranty and support terms contained in a license issued to you by Xilinx. Xilinx products are not designed or intended to be fail-safe or for use in any application requiring fail-safe performance; you assume sole risk and liability for use of Xilinx products in Critical Applications: <http://www.xilinx.com/warranty.htm#critapps>.

© Copyright 2012–2013 Xilinx, Inc. Xilinx, the Xilinx logo, Artix, ISE, Kintex, Spartan, Virtex, Vivado, Zynq, and other designated brands included herein are trademarks of Xilinx in the United States and other countries. The PowerPC name and logo are registered trademarks of IBM Corp. and used under license. All other trademarks are the property of their respective owners.