

7 Series FPGAs Memory Resources

User Guide

UG473 (v1.14) July 3, 2019



The information disclosed to you hereunder (the “Materials”) is provided solely for the selection and use of Xilinx products. To the maximum extent permitted by applicable law: (1) Materials are made available “AS IS” and with all faults, Xilinx hereby DISCLAIMS ALL WARRANTIES AND CONDITIONS, EXPRESS, IMPLIED, OR STATUTORY, INCLUDING BUT NOT LIMITED TO WARRANTIES OF MERCHANTABILITY, NON-INFRINGEMENT, OR FITNESS FOR ANY PARTICULAR PURPOSE; and (2) Xilinx shall not be liable (whether in contract or tort, including negligence, or under any other theory of liability) for any loss or damage of any kind or nature related to, arising under, or in connection with, the Materials (including your use of the Materials), including for any direct, indirect, special, incidental, or consequential loss or damage (including loss of data, profits, goodwill, or any type of loss or damage suffered as a result of any action brought by a third party) even if such damage or loss was reasonably foreseeable or Xilinx had been advised of the possibility of the same. Xilinx assumes no obligation to correct any errors contained in the Materials or to notify you of updates to the Materials or to product specifications. You may not reproduce, modify, distribute, or publicly display the Materials without prior written consent. Certain products are subject to the terms and conditions of Xilinx’s limited warranty, please refer to Xilinx’s Terms of Sale which can be viewed at www.xilinx.com/legal.htm#tos; IP cores may be subject to warranty and support terms contained in a license issued to you by Xilinx. Xilinx products are not designed or intended to be fail-safe or for use in any application requiring fail-safe performance; you assume sole risk and liability for use of Xilinx products in such critical applications, please refer to Xilinx’s Terms of Sale which can be viewed at www.xilinx.com/legal.htm#tos.

Automotive Applications Disclaimer

AUTOMOTIVE PRODUCTS (IDENTIFIED AS “XA” IN THE PART NUMBER) ARE NOT WARRANTED FOR USE IN THE DEPLOYMENT OF AIRBAGS OR FOR USE IN APPLICATIONS THAT AFFECT CONTROL OF A VEHICLE (“SAFETY APPLICATION”) UNLESS THERE IS A SAFETY CONCEPT OR REDUNDANCY FEATURE CONSISTENT WITH THE ISO 26262 AUTOMOTIVE SAFETY STANDARD (“SAFETY DESIGN”). CUSTOMER SHALL, PRIOR TO USING OR DISTRIBUTING ANY SYSTEMS THAT INCORPORATE PRODUCTS, THOROUGHLY TEST SUCH SYSTEMS FOR SAFETY PURPOSES. USE OF PRODUCTS IN A SAFETY APPLICATION WITHOUT A SAFETY DESIGN IS FULLY AT THE RISK OF CUSTOMER, SUBJECT ONLY TO APPLICABLE LAWS AND REGULATIONS GOVERNING LIMITATIONS ON PRODUCT LIABILITY.

© Copyright 2011–2019 Xilinx, Inc. Xilinx, the Xilinx logo, Artix, ISE, Kintex, Spartan, Virtex, Vivado, Zynq, and other designated brands included herein are trademarks of Xilinx in the United States and other countries.

Revision History

The following table shows the revision history for this document.

Date	Version	Revision
03/01/2011	1.0	Initial Xilinx release.
03/28/2011	1.1	Updated disclaimer and copyright on page 2 . Updated values in Table 2-1 , descriptions in Table 2-3 , and values in Table 2-4 . Modified discussions in Almost Empty Flag , Full Flag , and Almost Full Flag sections. Updated values in Table 2-7 and Table 2-8 . Revised Figure 2-6 . Revised discussion of clock event 2 and clock event 4 on page 61 . Updated Case 3: Reading from a Full FIFO including Figure 2-8 .
04/14/2011	1.2	Added 7 Series FPGAs Block RAM and FIFO Differences from Previous FPGA Generations . Added Table 1-2: Block RAM Resources in 7 Series Devices . Clarified valid values for Read Width - READ_WIDTH_[A B] and Write Width - WRITE_WIDTH_[A B] Updated the example in Block RAM Location Constraints . Updated parameter names in Table 1-20 . Clarified the flag behavior in the Synchronous FIFO introduction. Revised the FIFO Almost Full/Empty Flag Offset Range section including adding Note 1 to Table 2-8 , removing Equation 2-1 and revising Equation 2-2 to be the new Equation 2-1 . Updated port connection instructions for WEBWE[7:0] .
10/18/2011	1.3	Added Stacked Silicon Interconnect . Added Artix-7 and Virtex-7 families to Table 1-2 and updated table notes.
11/18/2011	1.4	Updated second bullet in Changes from Virtex-6 FPGAs .
01/30/2012	1.5	In Table 1-2 , removed XC7A8, XC7A15, XC7A30T, and XC7A50T; updated number of 36 Kb block RAM blocks per column for XC7K420T and XC7VX550T; updated note 1 to say "GTP/GTX Quad." Updated Simple Dual-Port Block RAM .
07/04/2012	1.6	Updated fifth and sixth bullets in Changes from Virtex-6 FPGAs . Added Virtex-7 devices to Table 1-2 . Updated descriptions of RAMB36E1, RAMB18E1, and FIFO18E1 in Table 1-8 . Updated description of WREN in Table 2-3 . In Table 2-9 , replaced $T_{RCKK_RST}/T_{RCKC_RST}$ with $T_{RREC_RST}/T_{RREM_RST}$.
10/02/2012	1.7	Removed XC7A350T, XC7V1500T, and XC7VH290T from Table 1-2 .
08/07/2013	1.8	Added three devices to Table 1-2 .
10/02/2013	1.9	Update disclaimer and copyright on page 2 . Updated Byte-Wide Write Enable .
01/30/2014	1.10	Updated the last bullet in Summary . Updated Figure 1-6 and Figure 3-2 .
05/09/2014	1.10.1	Typographical updates in Table 1-9 and Table 1-10 .
11/12/2014	1.11	Added the XC7A15T device to Table 1-2 .
09/27/2016	1.12	Added the Spartan-7 FPGAs and the Artix-7 (XC7A12T and XC7A25T) devices where applicable including updating Table 1-2 . Updated the Automotive Applications Disclaimer .
02/05/2019	1.13	Added information on common and independent clocks in Conflict Avoidance .

Date	Version	Revision
07/03/2019	1.14	Removed all occurrences of XC in the document to make it generic for XA, XC, and XQ devices.

Table of Contents

Revision History	3
------------------------	---

Preface: About This Guide

Guide Contents	9
7 Series FPGAs Block RAM and FIFO Differences from Previous FPGA Generations 9	
Changes from Virtex-6 FPGAs	9
Changes from Spartan-6 FPGAs	10
Additional Support Resources	10

Chapter 1: Block RAM Resources

Summary	11
Block RAM Introduction	14
Synchronous Dual-Port and Single-Port RAMs	16
Data Flow	16
Read Operation	17
Write Operation	17
Write Modes	17
WRITE_FIRST or Transparent Mode (Default)	18
READ_FIRST or Read-Before-Write Mode	18
NO_CHANGE Mode	18
Conflict Avoidance	19
Additional Block RAM Features in 7 Series Devices	21
Optional Output Registers	21
Independent Read and Write Port Width Selection	21
Simple Dual-Port Block RAM	21
Cascadable Block RAM	23
Byte-Wide Write Enable	23
Block RAM Error Correction Code	24
Power Gating of Unused Block RAMs	24
Block RAM Library Primitives	25
Block RAM Port Signals	28
Clock - CLKARDCLK and CLKBWRCLK	28
Enable - ENARDEN and ENBWREN	28
Byte-Wide Write Enable - WEA and WEBWE	28
Register Enable - REGCEA, REGCE, and REGCEB	29
Set/Reset	29
RSTREGARSTREG, RSTREGB, RSTRAMARSTRAM, and RSTRAMB	29
Address Bus - ADDRARDADDR and ADDRBWRADDR	29
Data-In Buses - DIADI, DIPADIP, DIBDI, and DIPBDIP	31
Data-Out Buses - DOADO, DOPADOP, DOBDO, and DOPBDOP	31
Cascade In	32
CASCADEINA, CASCADEINB, CASCADEOUTA, and CASCADEOUTB	32
Inverting Control Pins	32
GSR	32
Unused Inputs	32

Block RAM Address Mapping	33
Block RAM Attributes	33
Content Initialization - INIT_xx	33
Content Initialization - INITP_xx	34
Output Latches Initialization - INIT (INIT_A or INIT_B)	35
Output Latches/Registers Synchronous Set/Reset (SRVAL_[A B])	35
Reset or CE Priority - RSTREG_PRIORITY_[A B]	35
Optional Output Register On/Off Switch - DO[A B]_REG	36
Extended Mode Address Determinant - RAM_EXTENSION_[A B]	36
Read Width - READ_WIDTH_[A B]	36
Write Width - WRITE_WIDTH_[A B]	36
Mode Selection - RAM_MODE	36
Write Mode - WRITE_MODE_[A B]	36
RDADDR_COLLISION_HWCONFIG	36
SIM_COLLISION_CHECK	37
INIT_FILE	37
SIM_DEVICE	37
Block RAM Location Constraints	37
Block RAM Initialization in VHDL or Verilog Code	37
Additional RAMB18E1 and RAMB36E1 Primitive Design Considerations	37
Optional Output Registers	38
Independent Read and Write Port Width	38
RAMB18E1 and RAMB36E1 Port Mapping Design Rules	38
Cascadable Block RAM	38
Byte-Wide Write Enable	39
Block RAM Applications	40
Creating Larger RAM Structures	40
Block RAM RSTREG in Register Mode	40
Block RAM Timing Model	41
Block RAM Timing Parameters	42
Block RAM Timing Characteristics	43
Clock Event 1	43
Clock Event 2	43
Clock Event 4	44
Clock Event 5	44
Block RAM Timing Model	45
Stacked Silicon Interconnect	45

Chapter 2: Built-in FIFO Support

Overview	47
Dual-Clock FIFO	47
Synchronous FIFO	48
Synchronous FIFO Implementations	49
FIFO Architecture: a Top-Level View	50
FIFO Primitives	50
FIFO Port Descriptions	51
FIFO Operations	53
Reset	53
Operating Mode	53
Standard Mode	53

First Word Fall Through (FWFT) Mode	53
Status Flags	53
Empty Flag	54
Almost Empty Flag	54
Read Error Flag	54
Full Flag	55
Write Error Flag	55
Almost Full Flag	55
FIFO Attributes	55
FIFO Almost Full/Empty Flag Offset Range	57
FIFO VHDL and Verilog Templates	58
FIFO Timing Models and Parameters	58
FIFO Timing Characteristics	60
Case 1: Writing to an Empty FIFO	60
Case 2: Writing to a Full or Almost Full FIFO	62
Case 3: Reading from a Full FIFO	63
Case 4: Reading from an Empty or Almost Empty FIFO	64
Case 5: Resetting All Flags	66
Case 6: Simultaneous Read and Write for Dual-Clock FIFO	66
FIFO Applications	66
Cascading FIFOs to Increase Depth	66
Connecting FIFOs in Parallel to Increase Width	68
Legal Block RAM and FIFO Combinations	69

Chapter 3: Built-in Error Correction

Overview	71
ECC Modes	72
Top-Level View of the Block RAM ECC Architecture	73
Block RAM and FIFO ECC Primitive	74
Block RAM and FIFO ECC Port Descriptions	75
Block RAM and FIFO ECC Attributes	78
ECC Modes of Operation	78
Standard ECC	81
Set by Attributes	81
Standard ECC Write	82
Standard ECC Read	82
ECC Encode Only	82
Set by Attributes	82
ECC Encode-Only Write	82
ECC Encode-Only Read	83
ECC Decode Only	83
Set by Attributes	83
Using ECC Decode Only to Inject Single-Bit Error	83
Using the ECC Decode-Only to Inject Double-Bit Error	83
ECC Timing Characteristics	84
Standard ECC Write Timing	84
Standard ECC Read Timing	84
DO_REG = 0	84
DO_REG = 1	84
Encode-Only ECC Write Timing	85

Encode-Only ECC Read Timing	85
Decode-Only ECC Write Timing	85
Decode-Only ECC Read Timing	85
Block RAM ECC Mode Timing Parameters	86
Creating 8 Parity Bits for a 64-bit Word	87
Block RAM ECC VHDL and Verilog Templates	87

About This Guide

Xilinx® 7 series FPGAs include four FPGA families that are all designed for lowest power to enable a common design to scale across families for optimal power, performance, and cost. The Spartan®-7 family is the lowest density with the lowest cost entry point into the 7 series portfolio. The Artix®-7 family is optimized for highest performance-per-watt and bandwidth-per-watt for cost-sensitive, high-volume applications. The Kintex®-7 family is an innovative class of FPGAs optimized for the best price-performance. The Virtex®-7 family is optimized for highest system performance and capacity.

This 7 series FPGAs memory resources user guide, part of an overall set of documentation on the 7 series FPGAs, is available on the Xilinx website at www.xilinx.com/documentation.

Guide Contents

This manual contains these chapters:

- [Chapter 1, Block RAM Resources](#)
- [Chapter 2, Built-in FIFO Support](#)
- [Chapter 3, Built-in Error Correction](#)

7 Series FPGAs Block RAM and FIFO Differences from Previous FPGA Generations

Changes from Virtex-6 FPGAs

- The rules for conflict avoidance and address collision are relaxed.
- In SDP mode, the WRITE_FIRST mode is automatically mapped to the NO_CHANGE mode for power savings.
- The block RAM content initialization and readback behavior is changed due to a new power gating implementation.
- The new external power supply V_{CCBRAM} is used to power the block RAM memory cells.
- The FIFO reset requirements are simplified in 7 series FPGAs. The FIFO reset assertion is now synchronized to the read and write clocks. However, the reset deassertion is still asynchronous.
- Overall, the FIFO flag latencies are different than in Virtex-6 FPGAs (see [Table 2-4](#)).
- The ALMOST_FULL_OFFSET equation for the 7 series FPGAs is changed in the case where the RDCLK is different from the WRCLK. In this case, the

ALMOST_EMPTY_OFFSET equation is removed because in all cases it follows the values in [Table 2-8](#).

Changes from Spartan-6 FPGAs

- Similar to the Virtex-6 family, the 7 series FPGAs support both 36 Kb and 18 Kb block RAM configurations (native 36 Kb/18 Kb versus the 18 Kb/9 Kb of the Spartan®-6 FPGAs).
- Many key features already available in the Virtex-6 family but not in the Spartan-6 family are included in the 7 series FPGAs implementation:
 - Dedicated integrated FIFO
 - Error correction (ECC)
 - Direct cascade of block RAM
 - Independent reset control of output latches and registers
 - Asynchronous set/reset of data outputs

Additional Support Resources

To find additional documentation, see the Xilinx website at:

www.xilinx.com/support/documentation/index

To search the Answer Database of silicon, software, and IP questions and answers, or to create a technical support WebCase, see the Xilinx website at:

www.xilinx.com/support

Block RAM Resources

Summary

The block RAM in Xilinx® 7 series FPGAs stores up to 36 Kbits of data and can be configured as either two independent 18 Kb RAMs, or one 36 Kb RAM. Each 36 Kb block RAM can be configured as a 64K x 1 (when cascaded with an adjacent 36 Kb block RAM), 32K x 1, 16K x 2, 8K x 4, 4K x 9, 2K x 18, 1K x 36, or 512 x 72 in simple dual-port mode. Each 18 Kb block RAM can be configured as a 16K x 1, 8K x 2, 4K x 4, 2K x 9, 1K x 18 or 512 x 36 in simple dual-port mode.

Similar to the Virtex®-6 FPGA block RAMs, Write and Read are synchronous operations; the two ports are symmetrical and totally independent, sharing only the stored data. Each port can be configured in one of the available widths, independent of the other port. In addition, the read port width can be different from the write port width for each port. The memory content can be initialized or cleared by the configuration bitstream. During a write operation the memory can be set to have the data output remain unchanged, reflect the new data being written or the previous data now being overwritten.

The 7 series FPGAs block RAM features include:

- Per block memory storage capability where each block RAM can store up to 36 Kbits of data.
- Support of two independent 18Kb blocks, or a single 36Kb block RAM.
- Each 36Kb block RAM can be set to simple dual-port (SDP) mode, doubling data width of the block RAM to 72 bits. The 18Kb block RAM can also be set to simple dual-port mode, doubling data width to 36 bits. Simple dual-port mode is defined as having one read-only port and one write-only port with independent clocks.
- The simple dual-port RAM supports a fixed width data port setting on one side with a variable data port width setting on the other side.
- Two adjacent block RAMs can be combined to one deeper 64K x 1 memory without any external logic.
- One 64-bit Error Correction Coding block is provided per 36 Kb block RAM or 36 Kb FIFO. Separate encode/decode functionality is available. Capability to inject errors in ECC mode.
- Synchronous Set/Reset of the outputs to an initial value is available for both the latch and register modes of the block RAM output.
- Separate synchronous Set/Reset pins to independently control the Set/Reset of the optional output registers and output latch stages in the block RAM.
- An attribute to configure the block RAM as a synchronous FIFO to eliminate flag latency uncertainty.
- The FULL flag in 7 series FPGAs is asserted without any latency.

- 18, 36, or 72-bit wide block RAM ports can have an individual write enable per byte. This feature is popular for interfacing to a microprocessor.
- Each block RAM contains optional address sequencing and control circuitry to operate as a built-in dual-clock FIFO memory. In the 7 series architecture, the block RAM can be configured as an 18 Kb or 36 Kb FIFO.
- All inputs are registered with the port clock and have a setup-to-clock timing specification.
- All outputs have a read function or a read-during-write function, depending on the state of the write enable (WE) pin. The outputs are available after the clock-to-out timing interval. The read-during-write outputs have one of three operating modes: WRITE_FIRST, READ_FIRST, and NO_CHANGE.
- A write operation requires one clock edge.
- A read operation requires one clock edge.
- All output ports are latched or registered (optional). The state of the output port does not change until the port executes another read or write operation. The default block RAM output is latch mode.
- The output datapath has an optional internal pipeline register. Using the register mode is strongly recommended. This allows a higher clock rate; however, it adds a clock cycle latency of one.

The 7 series FPGAs block RAM usage rules include:

- The synchronous set/reset (RSTRAM) ports cannot be used when the ECC decoder is enabled (EN_ECC_READ = TRUE).
- The block RAM synchronous output registers (optional) are set or reset (SRVAL) with RSTREG when DO_REG = 1. The RSTREG_PRIORITY attribute determines if RSTREG has priority over REGCE. The synchronous output latches are set or reset (SRVAL) with RSTRAM when DO_REG is 0 or 1.
- The setup time of the block RAM address and write enable pins must not be violated. Violating the address setup time (even if write enable is Low) can corrupt the data contents of the block RAM.
- The block RAM register mode RSTREG requires REGCE = 1 to reset the output DO register value; if the RSTREG_PRIORITY is set to REGCE. The block RAM array data output latch does not get reset in this mode. The block RAM latch mode RSTRAM requires the block RAM enable, EN = 1, to reset the output DO latch value.
- There are two block RAM primitives: RAMB36E1 and RAMB18E1. The RAM_MODE attribute determines the mode of the block RAM, either SDP mode or true dual-port (TDP) mode.
- Different read and write port width choices are available when using specific block RAM primitives. The parity bits are only available for the x9, x18, and x36 port widths. The parity bits should not be used when the read width is x1, x2, or x4. If the read width is x1, x2 or x4, the effective write width is x1, x2, x4, x8, x16, or x32. Similarly, when a write width is x1, x2, or x4, the actual available read width is x1, x2, x4, x8, x16, or x32 even though the primitive attribute is set to 1, 2, 4, 9, 18, or 36, respectively. [Table 1-1](#) shows some possible scenarios.

Table 1-1: Parity Use Scenarios

Primitive	Settings		Effective Read Width	Effective Write Width
	Read Width	Write Width		
RAMB18E1	1, 2, or 4	9 or 18	Same as setting	8 or 16
RAMB18E1	9 or 18	1, 2, or 4	8 or 16	Same as setting
RAMB18E1	1, 2, or 4	1, 2, or 4	Same as setting	Same as setting
RAMB18E1	9 or 18	9 or 18	Same as setting	Same as setting
RAMB36E1	1, 2, or 4	9, 18, or 36	Same as setting	8, 16, or 32
RAMB36E1	9, 18, or 36	1, 2, or 4	8, 16, or 32	Same as setting
RAMB36E1	1, 2, or 4	1, 2, or 4	Same as setting	Same as setting
RAMB36E1	9, 18, or 36	9, 18, or 36	Same as setting	Same as setting

Notes:

- Do not use parity bits DIP/DOP when one port width is less than 9 and another port width is 9 or greater.
- The A15 pin in the RAMB36E1 should be used for cascading only. In all other cases, A15 should be left unconnected or tied High.
 - An asynchronous assertion or deassertion of the EN signal caused by an asynchronous reset can violate the setup/hold time of the EN signal. In this case, the first read or write operation does not yield the expected result. If an asynchronous assertion or deassertion of EN cannot be avoided, keep EN deasserted during asynchronous RESET assertion and deassertion or insert a read or write cycle after EN has been asserted before a valid data cycle occurs. If the PLL or MMCM LOCKED signal is lost, or a free running clock stops, immediately deassert EN.

Block RAM Introduction

In addition to distributed RAM and high-speed SelectIO™ memory interfaces, 7 series devices feature a large number of 36 Kb block RAMs. Each 36 Kb block RAM contains two independently controlled 18 Kb RAMs. Block RAMs are placed in columns, and the total number of block RAM resources is listed in [Table 1-2](#) by the 7 series device. The 36 Kb blocks are cascadable to enable a deeper and wider memory implementation, with a minimal timing penalty.

Table 1-2: Block RAM Resources in 7 Series Devices

Device	Total 36 Kb Block RAM Blocks per Device	Number of 36 Kb Block RAM Columns per Device	Number of 36 Kb Block RAM Blocks per Column
7S6	5	1	10 ⁽⁴⁾
7S15	10	1	10
7S25	45	3	20 ⁽⁴⁾
7S50	75	3	30 ⁽⁴⁾
7S75	90	3	40 ⁽⁴⁾
7S100	120	3	40
7A12T	20	3	20 ⁽¹⁾⁽²⁾⁽⁴⁾
7A15T	25	3	20 ⁽¹⁾⁽²⁾⁽⁴⁾
7A25T	45	3	20 ⁽¹⁾⁽²⁾
7A35T	50	3	30 ⁽¹⁾⁽²⁾⁽⁴⁾
7A50T	75	3	30 ⁽¹⁾⁽²⁾
7A75T	105	4	40 ⁽¹⁾⁽²⁾⁽⁴⁾
7A100T	135	4	40 ⁽¹⁾⁽²⁾
7A200T	365	9	50 ⁽²⁾⁽³⁾
7K70T	135	4	40 ⁽¹⁾⁽²⁾
7K160T	325	7	50 ⁽¹⁾⁽²⁾
7K325T	445	7	70 ⁽¹⁾⁽²⁾
7K355T	715	12	60 ⁽²⁾
7K410T	795	12	70 ⁽¹⁾⁽²⁾
7K420T	835	12	80 ⁽²⁾⁽⁴⁾
7K480T	955	12	80 ⁽²⁾
7V585T	795	9	90 ⁽²⁾
7V2000T	1,292	11	120 ⁽²⁾⁽⁵⁾⁽⁶⁾
7VX330T	750	11	70 ⁽⁷⁾
7VX415T	880	15	60 ⁽⁷⁾
7VX485T	1,030	15	70 ⁽²⁾
7VX550T	1,180	15	100 ⁽⁴⁾⁽⁷⁾

Table 1-2: Block RAM Resources in 7 Series Devices (Cont'd)

Device	Total 36 Kb Block RAM Blocks per Device	Number of 36 Kb Block RAM Columns per Device	Number of 36 Kb Block RAM Blocks per Column
7VX690T	1,470	15	100 ⁽⁷⁾
7VX980T	1,500	17	90 ⁽⁷⁾
7VX1140T	1,880	16	120 ⁽⁵⁾⁽⁶⁾⁽⁷⁾
7VH580T	940	16	60 ⁽⁷⁾
7VH870T	1,410	16	90 ⁽⁷⁾

Notes:

1. The right side column contains GTP/GTX Quads that displace ten block RAM blocks in that column per GTP/GTX Quad.
2. The column containing Gen1/Gen2 interface blocks for PCI Express® displaces five block RAM blocks per interface block for PCI Express. Block RAM blocks cannot be cascaded across interface blocks for PCI Express.
3. The four center block RAM columns contain GTP Quads that displace ten block RAM blocks in those columns per GTP Quad.
4. The total block RAM block count is limited by software.
5. The block RAM column on the left side of the device has two less block RAM blocks per super logic region (SLR).
6. There are thirty 36 Kb block RAM blocks per column in each SLR.
7. The column containing Gen3 interface blocks for PCI Express displaces ten block RAM blocks per interface block for PCI Express. Block RAM blocks cannot be cascaded across interface blocks for PCI Express.

Embedded dual- or single-port RAM modules, ROM modules, synchronous FIFOs, and data width converters are implemented using the Xilinx CORE Generator™ block memory modules. Dual-clock FIFOs can be generated using the CORE Generator FIFO Generator module. The synchronous or asynchronous (dual-clock) FIFO implementation does not require additional CLB resources for the FIFO control logic because it uses dedicated hardware resources.

Synchronous Dual-Port and Single-Port RAMs

Data Flow

The true dual-port 36 Kb block RAM dual-port memories consist of a 36 Kb storage area and two completely independent access ports, A and B. Similarly, each 18 Kb block RAM dual-port memory consists of an 18 Kb storage area and two completely independent access ports, A and B. The structure is fully symmetrical, and both ports are interchangeable. [Figure 1-1](#) illustrates the true dual-port data flow of a RAMB36. [Table 1-3](#) lists the port functions and descriptions.

Data can be written to either or both ports and can be read from either or both ports. Each write operation is synchronous, each port has its own address, data in, data out, clock, clock enable, and write enable. The read and write operations are synchronous and require a clock edge.

There is no dedicated monitor to arbitrate the effect of identical addresses on both ports. It is up to you to time the two clocks appropriately. Conflicting simultaneous writes to the same location never cause any physical damage but can result in data uncertainty.

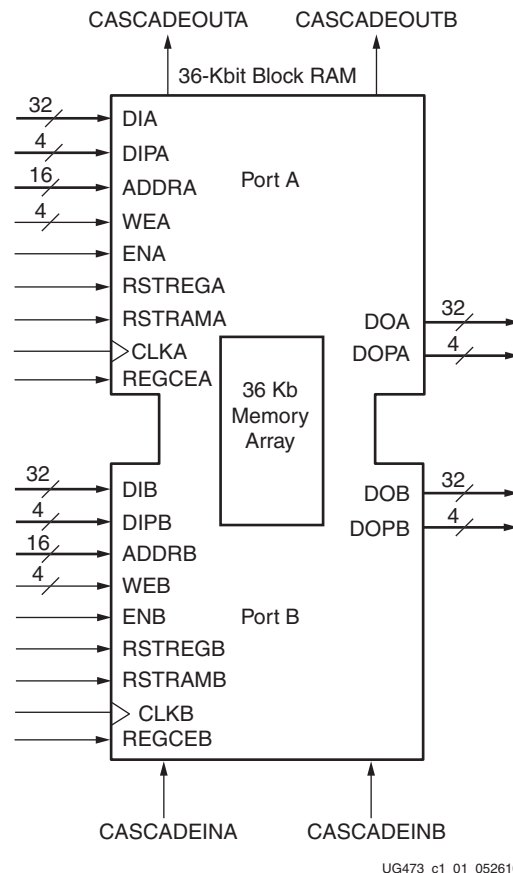


Figure 1-1: True Dual-Port Data Flows for a RAMB36

Table 1-3: True Dual-Port Functions and Descriptions

Port Function	Description
DI[A B]	Data input bus.
DIP[A B] ⁽¹⁾	Data input parity bus. Can be used for additional data inputs.
ADDR[A B]	Address bus.
WE[A B]	Byte-wide write enable.
EN[A B]	When inactive no data is written to the block RAM and the output bus remains in its previous state.
RSTREG[A B]	Synchronous Set/Reset the output registers (DO_REG = 1). The RSTREG_PRIORITY attribute determines the priority over REGCE.
RSTRAM[A B]	Synchronous Set/Reset the output data latches.
CLK[A B]	Clock input.
DO[A B]	Data output bus.
DOP[A B] ⁽¹⁾	Data output parity bus. Can be used for additional data outputs.
REGCE[A B]	Output Register clock enable.
CASCADEIN[A B]	Cascade input for 64K x 1 mode.
CASCADEOUT[A B]	Cascade output for 64K x 1 mode.

Notes:

1. The [Data-In Buses - DIADI, DIPADIP, DIBDI, and DIPBDIP](#) section has more information on data parity pins.
2. Block RAM primitive port names can be different from the port function names.

Read Operation

In latch mode, the read operation uses one clock edge. The read address is registered on the read port, and the stored data is loaded into the output latches after the RAM access time. When using the output register, the read operation takes one extra latency cycle.

Write Operation

A write operation is a single clock-edge operation. The write address is registered on the write port, and the data input is stored in memory.

Write Modes

Three settings of the write mode determines the behavior of the data available on the output latches after a write clock edge: WRITE_FIRST, READ_FIRST, and NO_CHANGE. Write mode selection is set by configuration. The Write mode attribute can be individually selected for each port. The default mode is WRITE_FIRST. WRITE_FIRST outputs the newly written data onto the output bus. READ_FIRST outputs the previously stored data while new data is being written. NO_CHANGE maintains the output previously generated by a read operation.

WRITE_FIRST or Transparent Mode (Default)

In WRITE_FIRST mode, the input data is simultaneously written into memory and stored in the data output (transparent write), as shown in Figure 1-2. These waveforms correspond to latch mode when the optional output pipeline register is not used.

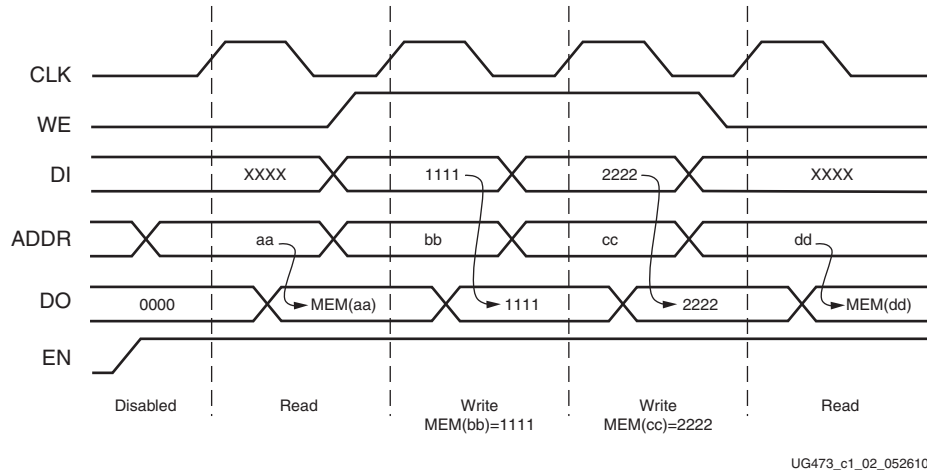


Figure 1-2: WRITE_FIRST Mode Waveforms

READ_FIRST or Read-Before-Write Mode

In READ_FIRST mode, data previously stored at the write address appears on the output latches, while the input data is being stored in memory (read before write). The waveforms in Figure 1-3 correspond to latch mode when the optional output pipeline register is not used.

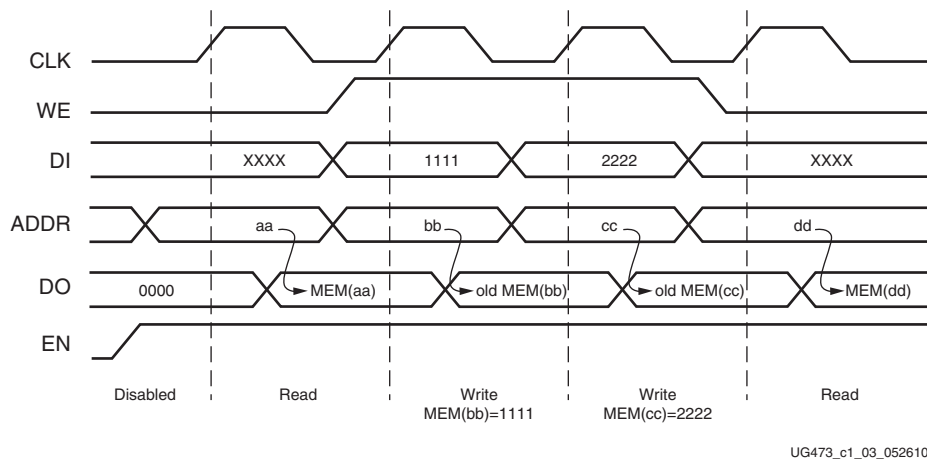


Figure 1-3: READ_FIRST Mode Waveforms

NO_CHANGE Mode

In NO_CHANGE mode, the output latches remain unchanged during a write operation. As shown in Figure 1-4, data output remains the last read data and is unaffected by a write operation on the same port. These waveforms correspond to latch mode when the optional

output pipeline register is not used. This mode is the most power efficient. This mode is not available in the SDP mode because it is identical in behavior to WRITE_FIRST mode.

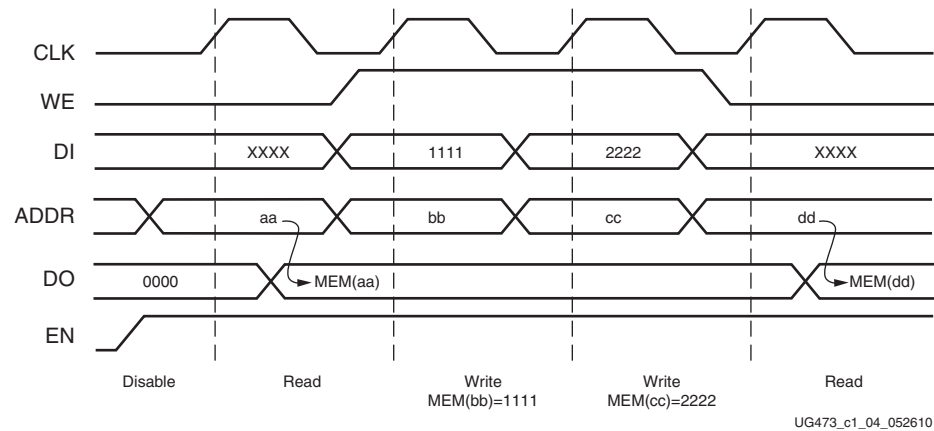


Figure 1-4: NO_CHANGE Mode Waveforms

Conflict Avoidance

The 7 series FPGAs block RAM is a true dual-port RAM where both ports can access any memory location at any time. Address collisions can occur when accessing the same memory location from both ports. An address collision is when both block RAM ports access the same address location in the same clock cycle. There are two fundamental clock type setups, common clock and independent clock. Common (synchronous) clocks are driven by a common clock buffer driver. All other CLKA and CLKB connections are considered independent (asynchronous) clocks. If no address collisions are expected or possible (SDP configurations) to save power, the recommended write mode is NO_CHANGE. Using READ_FIRST mode has a 15% power penalty over NO_CHANGE and should only be used when necessary for functionality or address collision mitigation.

- When both ports are reading, the operations complete successfully.
- When both ports are writing different data, the memory location is written with non-deterministic data.
- When one port is writing and the other port is reading, the write is always successful but the resulting read memory value can vary. See [Table 1-4](#) and [Table 1-5](#).

In [Table 1-4](#) and [Table 1-5](#):

- Write enable is active-High, 1 = Write, 0 = Read
- RF = READ_FIRST, WF = WRITE_FIRST, NC = NO_CHANGE
- X = Undeterministic value
- DIA = Port A data input
- DIB = Port B data input

Table 1-4: Common Clock

Clock Type	Write Mode Port A	Write Mode Port B	Write Enable Port A (Data)	Write Enable Port B (Data)	Resulting Data Out Port A	Resulting Data Out Port B	Resulting Memory Value
Common	RF/WF/NC	RF/WF/NC	0	0	Old memory data	Old memory data	No change
Common	RF	RF/WF/NC	1 (DIA)	0	Old memory data	Old memory data	DIA
Common	WF	RF/WF/NC	1 (DIA)	0	DIA	X	DIA
Common	NC	RF/WF/NC	1 (DIA)	0	No change	X	DIA
Common	RF/WF/NC	RF	0	1 (DIB)	Old memory data	Old memory data	DIB
Common	RF/WF/NC	WF	0	1 (DIB)	X	DIB	DIB
Common	RF/WF/NC	NC	0	1 (DIB)	X	No change	DIB
Common	RF/WF/NC	RF/WF/NC	1	1	X	X	X

Note: Common clocked access collision is when the port addresses are the same for the same clock cycle.

Table 1-5: Independent Clock

Clock Type	Write Mode Port A	Write Mode Port B	Write Enable Port A (Data)	Write Enable Port B (Data)	Resulting Data Out Port A	Resulting Data Out Port B	Resulting Memory Value
Independent	RF/WF/NC	RF/WF/NC	0	0	Old memory data	Old memory data	No change
Independent	RF	RF/WF/NC	1 (DIA)	0	Old memory data	X	DIA
Independent	WF	RF/WF/NC	1 (DIA)	0	DIA	X	DIA
Independent	NC	RF/WF/NC	1 (DIA)	0	No change	X	DIA
Independent	RF/WF/NC	RF	0	1 (DIB)	X	Old memory data	DIB
Independent	RF/WF/NC	WF	0	1 (DIB)	X	DIB	DIB
Independent	RF/WF/NC	NC	0	1 (DIB)	X	No change	DIB
Independent	RF/WF/NC	RF/WF/NC	1	1	X	X	X

Note: An independently clocked access collision might occur when the port addresses are the same and when the clock edges of the two ports are potentially colliding. The time window for a possible collision is up to the lesser of 3000 ps or of the two clock periods. The UNISIM can report an error during simulation for collisions when the SIM_COLLISION_CHECK attribute is set to ALL (default).

Additional Block RAM Features in 7 Series Devices

Optional Output Registers

The optional output registers improve design performance by eliminating routing delay to the CLB flip-flops for pipelined operation. An independent clock and clock enable input is provided for these output registers. As a result the output data registers hold the value independent of the input register operation. [Figure 1-5](#) shows the optional output register.

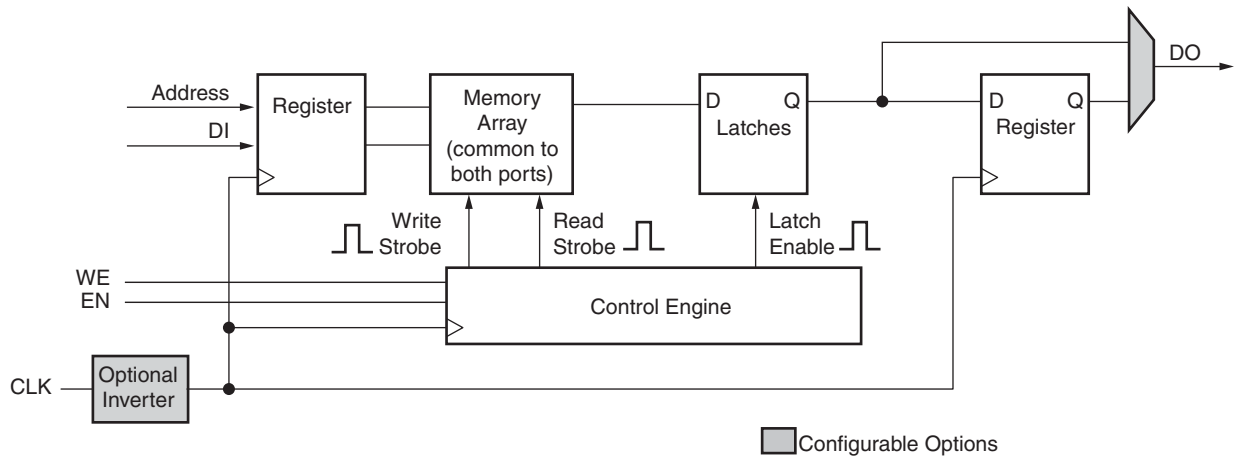


Figure 1-5: Block RAM Logic Diagram (One Port Shown)

Independent Read and Write Port Width Selection

Each block RAM port has control over data width and address depth (aspect ratio). The true dual-port block RAM in 7 series FPGAs extends this flexibility to Read and Write where each individual port can be configured with different data bit widths. For example, port A can have a 36-bit Read width and a 9-bit Write width, and port B can have an 18-bit Read width and a 36-bit Write width. See [Block RAM Attributes](#), page 33.

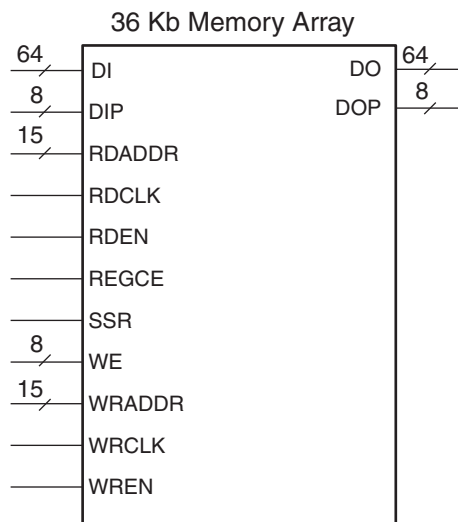
If the Read port width differs from the Write port width, and is configured in WRITE_FIRST mode, then DO shows valid new data for all the enabled write bytes. The DO port outputs the original data stored in memory for all not enabled bytes.

Independent Read and Write port width selection increases the efficiency of implementing a content addressable memory (CAM) in block RAM. This option is available for all 7 series FPGAs true dual-port RAM port sizes and modes.

Simple Dual-Port Block RAM

Each 18 Kb block and 36 Kb block can also be configured in a simple dual-port RAM mode. In this mode, the block RAM port width doubles to 36 bits for the 18 Kb block RAM and 72 bits for the 36 Kb block RAM. In simple dual-port mode, independent Read and Write operations can occur simultaneously, where port A is designated as the Read port and port B as the Write port. When the Read and Write port access the same data location at the same time, it is treated as a collision, identical to the port collision in true dual-port mode. Readback through the configuration port is supported in simple dual-port block RAM mode. 7 series FPGAs support these modes in SDP (READ_FIRST, WRITE_FIRST).

[Figure 1-6](#) shows the simple dual-port data flow for and RAMB36 in SDP mode.



UG473_c1_06_011414

Figure 1-6: RAMB36 in the Simple Dual-Port Data Flow

Table 1-6: Simple Dual-Port Functions and Descriptions

Port Function	Description
DO	Data Output Bus
DOP	Data Output Parity Bus
DI	Data Input Bus
DIP	Data Input Parity Bus
RDADDR	Read Data Address Bus
RDCLK	Read Data Clock
RDEN	Read Port Enable
REGCE	Output Register Clock Enable
SBITERR	Single Bit Error Status
DBITERR	Double Bit Error Status
ECCPARITY	ECC Encoder Output Bus
SSR	Synchronous Set or Reset of Output Registers or Latches
WE	Byte-wide Write Enable
WRADDR	Write Data Address Bus
WRCLK	Write Data Clock
WREN	Write Port Enable

Notes:

1. Block RAM primitive port names can be different from the port function names.

Cascadable Block RAM

In the 7 series FPGAs block RAM architecture, two 32K x 1 RAMs can be combined to form one 64K x 1 RAM without using local interconnect or additional CLB logic resources. Any two adjacent block RAMs can be cascaded to generate a 64K x 1 block RAM. Increasing the depth of the block RAM by cascading two block RAMs is available only in the 64K x 1 mode. Further information on cascadable block RAM is described in the [Additional RAMB18E1 and RAMB36E1 Primitive Design Considerations](#) section. For other wider and/or deeper sizes, consult the [Creating Larger RAM Structures](#) section. [Figure 1-7](#) shows the block RAM with the appropriate ports connected in the Cascadable mode.

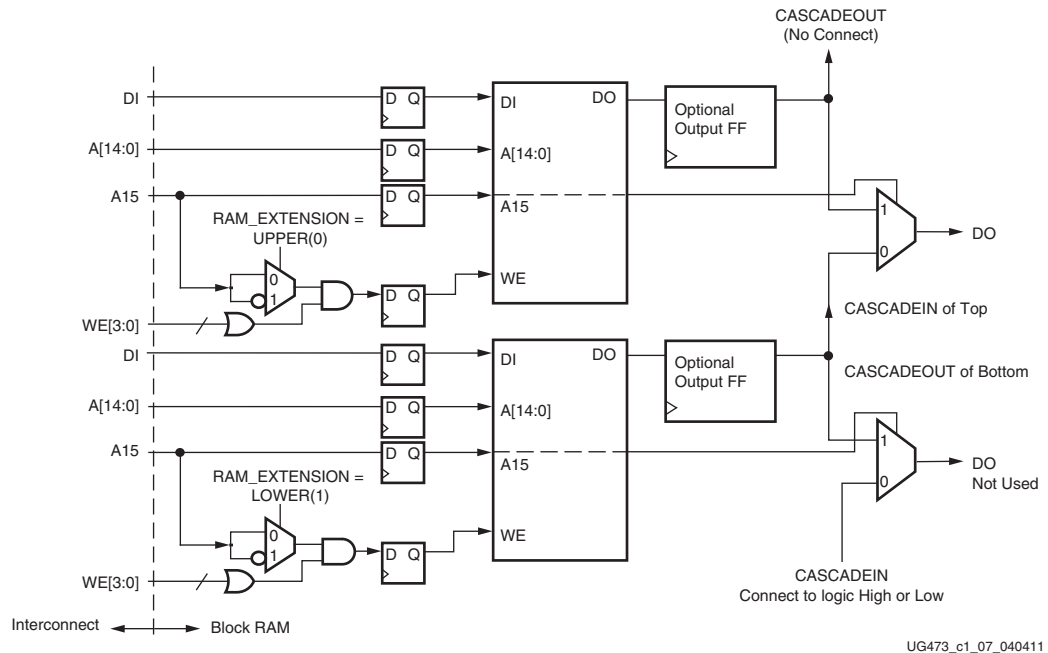


Figure 1-7: Cascadable Block RAM

Byte-Wide Write Enable

The byte-wide write enable feature of the block RAM allows writing eight-bit (one byte) portions of incoming data. There are four independent byte-wide write enable inputs to the RAMB36E1 true dual-port RAM. There are eight independent byte-wide write enable inputs to block RAM in simple dual-port mode (RAMB36E1 in SDP mode). [Table 1-7](#) summarizes the byte-wide write enables for the 36Kb and 18Kb block RAM. Each byte-wide write enable is associated with one byte of input data and one parity bit. All byte-wide write enable inputs must be driven in all data width configurations. This feature is useful when using block RAM to interface with a microprocessor. Byte-wide write enable is not available in the dual-clock FIFO or ECC mode. Byte-wide write enable is further described in the [Additional RAMB18E1 and RAMB36E1 Primitive Design Considerations](#) section. [Figure 1-8](#) shows the byte-wide write-enable timing diagram for the RAMB36E1.

Table 1-7: Available Byte-Wide Write Enables

Primitive	Maximum Bit Width	Number of Byte-Wide Write Enables
RAMB36E1 TDP mode	36	4
RAMB36E1 SDP mode	72	8
RAMB18E1 TDP mode	18	2
RAMB18E1 SDP mode	36	4

When the RAMB36E1 is configured for a 36-bit or 18-bit wide datapath, any port can restrict writing to specified byte locations within the data word. If configured in READ_FIRST mode, the DO bus shows the previous content of the whole addressed word. In WRITE_FIRST mode, DO shows a combination of the newly written enabled byte(s), and the initial memory contents of the unwritten bytes.

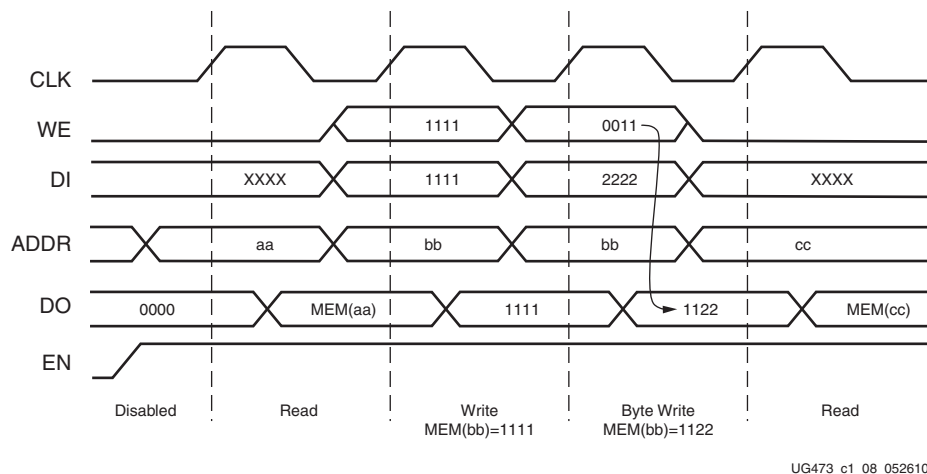


Figure 1-8: Byte-wide Write Operation Waveforms (x36 WRITE_FIRST)

Block RAM Error Correction Code

Both block RAM and FIFO implementations of the 36 Kb block RAM support a 64-bit Error Correction Code (ECC) implementation. The code is used to detect single and double-bit errors in block RAM data read out. Single-bit errors are then corrected in the output data.

Power Gating of Unused Block RAMs

7 series devices power down unused/uninstantiated block RAM blocks at an 18Kb granularity. Power gating is enabled on every 18Kb block that is not instantiated in the design to save power. Power-gated 18Kb blocks are not initialized during configuration and cannot be read back through the configuration interface. Unlike previous FPGA families, a valid bitstream is required for configuration and readback. *Blank* bitstreams are no longer allowed. The access to uninstantiated block RAM is prevented by disabling the internal operation.

Block RAM Library Primitives

The 7 series FPGAs block RAM library primitives, RAMB18E1 and RAMB36E1, are the basic building blocks for all block RAM configurations. Other block RAM primitives and macros are based on these primitives. Some block RAM attributes can only be configured using one of these primitives (for example, pipeline register, cascade). See the [Block RAM Attributes](#) section.

The input and output data buses are represented by two buses for 9-bit width (8 + 1), 18-bit width (16 + 2), and 36-bit width (32 + 4) configurations. The ninth bit associated with each byte can store parity/error correction bits or serve as additional data bits. No specific function is performed on the ninth bit. The separate bus for parity bits facilitates some designs. However, other designs safely use a 9-bit, 18-bit, or 36-bit bus by merging the regular data bus with the parity bus. Read/write and storage operations are identical for all bits, including the parity bits.

Figure 1-9 illustrates all the I/O ports of the 36 Kb true dual-port block RAM primitive (RAMB36). Table 1-8 lists these primitives.

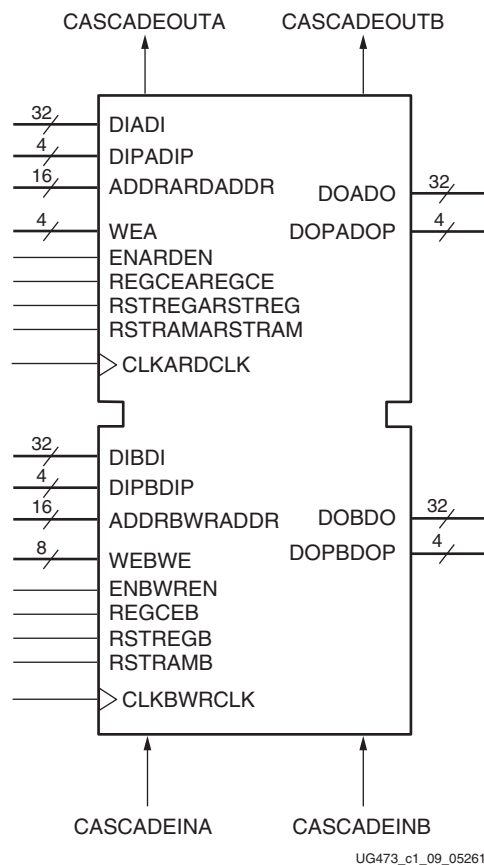


Figure 1-9: Block RAM Port Signals (RAMB36E1)

Table 1-8: 7 Series FPGAs Block RAM and FIFO Primitives

Primitive	Description
RAMB36E1	In TDP mode, supports port widths of x1, x2, x4, x9, x18, x36 In SDP mode, the Read or Write port width is x64 or x72. Alternate port is x1, x2, x4, x9, x18, x36, x72. In ECC mode, supports 64-bit ECC encoding and decoding
RAMB18E1	In TDP mode, supports port widths of x1, x2, x4, x9, x18 In SDP mode, the Read or Write port width is x32 or x36. Alternate port is x1, x2, x4, x9, x18, x36.
FIFO36E1	In FIFO36 mode, supports port widths of x4, x9, x18, x36 In FIFO36_72 mode, port width is x72, optional ECC support.
FIFO18E1	In FIFO18 mode, supports port widths of x4, x9, x18 In FIFO18_36 mode, port width is x36

Table 1-9 and Table 1-10 show the show the port names and descriptions of the primitives outlined in Table 1-8. The ECC ports are described in Chapter 3, Built-in Error Correction.

Table 1-9: RAMB36E1 Port Names and Descriptions

Port Name	Description
DIADI[31:0]	Port A data inputs addressed by ADDRARDADDR. See Table 1-15 for SDP mode port name mapping.
DIPADIP[3:0]	Port A data parity inputs addressed by ADDRARDADDR. See Table 1-15 for SDP mode port name mapping.
DIBDI[31:0]	Port B data inputs addressed by ADDRBRWADDR. See Table 1-15 for SDP mode port name mapping.
DIPBDIP[3:0]	Port B data parity inputs addressed by ADDRBRWADDR. See Table 1-15 for SDP mode port name mapping.
ADDRARDADDR [15:0]	Port A address input bus. In RAM_MODE = SDP, this is the RDADDR bus.
ADDRBRWADDR[15:0]	Port B address input bus. In RAM_MODE = SDP, this is the WRADDR bus.
WEA[3:0]	Port A byte-wide Write enable. Not used in RAM_MODE = SDP.
WEBWE[7:0]	Port B byte-wide Write enable. In RAM_MODE = SDP, this is the byte-wide Write enable.
ENARDEN	Port A enable. In RAM_MODE = SDP, this is the RDEN.
ENBWREN	Port B enable. In RAM_MODE = SDP, this is the WREN.
RSTREGARSTREG	Synchronous output register set/reset as initialized by SRVAL_A (DOA_REG = 1). RSTREG_PRIORITY_A determines the priority over REGCE. In RAM_MODE = SDP, this is the RSTREG.
RSTREGB	Synchronous output register set/reset as initialized by SRVAL_B (DOB_REG = 1). RSTREG_PRIORITY_B determines the priority over REGCE.
RSTRAMARSTRAM	Synchronous output latch set/reset as initialized by SRVAL_A (DOA_REG = 0). In RAM_MODE = SDP, this is the RSTRAM.
RSTRAMB	Synchronous output latch set/reset as initialized by SRVAL_B (DOB_REG = 0).
CLKARDCLK	Port A clock input. In RAM_MODE = SDP, this is the RDCLK.
CLKBRWCLK	Port B clock input. In RAM_MODE = SDP, this is the WRCLK.

Table 1-9: RAMB36E1 Port Names and Descriptions (Cont'd)

Port Name	Description
REGCEAREGCE	Port A output register clock enable (DOA_REG = 1). In RAM_MODE = SDP, this is the REGCE.
REGCEB	Port B output register clock enable (DOB_REG = 1).
CASCADEINA	Port A cascade input. Used in RAM_MODE = TDP only.
CASCADEINB	Port B cascade input. Used in RAM_MODE = TDP only.
CASCADEOUTA	Port A cascade output. Used in RAM_MODE = TDP only.
CASCADEOUTB	Port B cascade output. Used in RAM_MODE = TDP only.
DOADO[31:0]	Port A data output bus addressed by ADDRARDADDR. See Table 1-15 for SDP mode port name mapping.
DOPADOP[3:0]	Port A parity output bus addressed by ADDRARDADDR. See Table 1-15 for SDP mode port name mapping.
DOBDO[31:0]	Port B data output bus addressed by ADDRBRWADDR. See Table 1-15 for SDP mode port name mapping.
DOPBDOP[3:0]	Port B parity output bus addressed by ADDRBRWADDR. See Table 1-15 for SDP mode port name mapping.

Table 1-10: RAMB18E1 Port Names and Descriptions

Port Name	Description
DIADI[15:0]	Port A data inputs addressed by ADDRARDADDR. See Table 1-15 for SDP mode port name mapping.
DIPADIP[1:0]	Port A data parity inputs addressed by ADDRARDADDR. See Table 1-15 for SDP mode port name mapping.
DIBDI[15:0]	Port B data inputs addressed by ADDRBRWADDR. See Table 1-15 for SDP mode port name mapping.
DIPBDIP[1:0]	Port B data parity inputs addressed by ADDRBRWADDR. See Table 1-15 for SDP mode port name mapping.
ADDRARDADDR[13:0]	Port A address input bus. In RAM_MODE = SDP, this is the RDADDR bus.
ADDRBRWADDR[13:0]	Port B address input bus. In RAM_MODE = SDP, this is the WRADDR bus.
WEA[1:0]	Port A byte-wide Write enable. Not used in RAM_MODE = SDP.
WEBWE[3:0]	Port B byte-wide Write enable (WEBWE[1:0]). In RAM_MODE = SDP, this is the byte-wide Write enable.
ENARDEN	Port A enable. In RAM_MODE = SDP, this is the RDEN.
ENBWREN	Port B enable. In RAM_MODE = SDP, this is the WREN.
RSTREGARSTREG	Synchronous output register set/reset as initialized by SRVAL_A (DOA_REG = 1). RSTREG_PRIORITY_A determines the priority over REGCE. In RAM_MODE = SDP, this is the RSTREG.
RSTREGB	Synchronous output register set/reset as initialized by SRVAL_B (DOB_REG = 1). RSTREG_PRIORITY_B determines the priority over REGCE.
RSTRAMARSTRAM	Synchronous output latch set/reset as initialized by SRVAL_A (DOA_REG = 0). In RAM_MODE = SDP, this is the RSTRAM.

Table 1-10: RAMB18E1 Port Names and Descriptions (Cont'd)

Port Name	Description
RSTRAMB	Synchronous output latch set/reset as initialized by SRVAL_B (DOB_REG = 0).
CLKARDCLK	Port A clock input. In RAM_MODE = SDP, this is the RDCLK.
CLKBWRCLK	Port B clock input. In RAM_MODE = SDP, this is the WRCLK.
REGCEAREGCE	Port A output register clock enable (DOA_REG = 1). In RAM_MODE = SDP, this is the REGCE.
REGCEB	Port B output register clock enable (DOB_REG = 1).
DOADO[15:0]	Port A data output bus addressed by ADDRARDADDR. See Table 1-15 for SDP mode port name mapping.
DOPADOP[1:0]	Port A parity output bus addressed by ADDRARDADDR. See Table 1-15 for SDP mode port name mapping.
DOBDO[15:0]	Port B data output bus addressed by ADDRBRWADDR. See Table 1-15 for SDP mode port name mapping.
DOPBDOP[1:0]	Port B parity output bus addressed by ADDRBRWADDR. See Table 1-15 for SDP mode port name mapping.

Block RAM Port Signals

Each block RAM port operates independently of the other while accessing the same set of 36 Kbit memory cells.

Clock - CLKARDCLK and CLKBWRCLK

Each port is fully synchronous with independent clock pins. All port input pins have setup time referenced to the port CLK pin. The output data bus has a clock-to-out time referenced to the CLK pin. Clock polarity is configurable (rising edge by default). In SDP mode, the CLKA port is the RDCLK and the CLKB port is the WRCLK.

Enable - ENARDEN and ENBWREN

The enable pin affects the read, write, and set/reset functionality of the port. Ports with an inactive enable pin keep the output pins in the previous state and do not write data to the memory cells. Enable polarity is configurable (active-High by default). In SDP mode, the ENA port is the RDEN and the ENB port is the WREN.

Byte-Wide Write Enable - WEA and WEBWE

To write the content of the data input bus into the addressed memory location, both EN and WE must be active within a setup time before the active clock edge. The output latches are loaded or not loaded according to the write configuration (WRITE_FIRST, READ_FIRST, NO_CHANGE). When WE is inactive and EN is active, a read operation occurs, and the contents of the memory cells referenced by the address bus appear on the data-out bus, regardless of the write mode attribute. Write enable polarity is not configurable (active-High). In SDP mode, the WEBWE[7:0] port is the byte-write enable. In TDP mode, the WEA[3:0] and WEB[3:0] are byte-write enables for port A and port B, respectively.

Register Enable - REGCEA, REGCE, and REGCEB

The register enable pin (REGCE) controls the optional output register. When the RAM is in register mode, REGCE = 1 registers the output into a register at a clock edge. The polarity of REGCE is not configurable (active-High). In SDP mode, the REGCEA port is the REGCE.

Set/Reset

RSTREGARSTREG, RSTREGB, RSTRAMARSTRAM, and RSTRAMB

In latch mode, the RSTRAM pin synchronously forces the data output latches to contain the value SRVAL. See [Block RAM Attributes, page 33](#). When the optional output registers are enabled (DO_REG = 1), the RSTREG signal synchronously forces the data output registers contain the SRVAL value. The priority of RSTREG over REGCE is determined using the RSTREG_PRIORITY attribute. The data output latches or output registers are synchronously asserted to 0 or 1, including the parity bit. Each port has an independent SRVAL[A | B] attribute of 36 bits. This operation does not affect RAM memory cells and does not disturb write operations on the other port. The polarity for both signals is configurable (active-High by default). In SDP mode, the RSTREGA port is the RSTREG and the RSTRAMA port is the RSTRAM.

Address Bus - ADDRARDADDR and ADDRBRADDR

The address bus selects the memory cells for read or write. In SDP mode, the ADDRA port is the RDADDR and the ADDRBR port is the WRADDR. The data bit width of the port determines the required address bus width for a single RAMB18E1 or RAMB36E1, as shown in [Table 1-11](#), [Table 1-12](#), [Table 1-13](#), and [Table 1-14](#).

Table 1-11: Port Aspect Ratio for RAMB18E1 (in TDP Mode)

Port Data Width	Port Address Width	Depth	ADDR Bus	DI Bus DO Bus	DIP Bus DOP Bus
1	14	16,384	[13:0]	[0]	NA
2	13	8,192	[13:1]	[1:0]	NA
4	12	4,096	[13:2]	[3:0]	NA
9	11	2,048	[13:3]	[7:0]	[0]
18	10	1,024	[13:4]	[15:0]	[1:0]

Table 1-12: Port Aspect Ratio for RAMB18E1 (in SDP Mode)

Port Data Width ⁽¹⁾	Alternate Port Width	Port Address Width	Depth	ADDR Bus	DI Bus DO Bus	DIP Bus DOP Bus
32	1	14	16,384	[13:0]	[0]	NA
32	2	13	8,192	[13:1]	[1:0]	NA
32	4	12	4,096	[13:2]	[3:0]	NA
36	9	11	2,048	[13:3]	[7:0]	[0]
36	18	10	1,024	[13:4]	[15:0]	[1:0]
36	36	9	512	[13:5]	[31:0]	[3:0]

Notes:

1. Either the Read or Write port is a fixed width of x32 or x36.

Table 1-13: Port Aspect Ratio for RAMB36E1 (in TDP Mode)

Port Data Width	Port Address Width	Depth	ADDR Bus	DI Bus DO Bus	DIP Bus DOP Bus
1	15	32,768	[14:0]	[0]	NA
2	14	16,384	[14:1]	[1:0]	NA
4	13	8,192	[14:2]	[3:0]	NA
9	12	4,096	[14:3]	[7:0]	[0]
18	11	2,048	[14:4]	[15:0]	[1:0]
36	10	1,024	[14:5]	[31:0]	[3:0]
1 (Cascade)	16	65536	[15:0]	[0]	NA

Table 1-14: Port Aspect Ratio for RAMB36E1 (in SDP Mode)

Port Data Width ⁽¹⁾	Alternate Port Width	Port Address Width	Depth	ADDR Bus	DI Bus DO Bus	DIP Bus DOP Bus
64	1	15	32,768	[14:0]	[0]	NA
64	2	14	16,384	[14:1]	[1:0]	NA
64	4	13	8,192	[14:2]	[3:0]	NA
72	9	12	4,096	[14:3]	[7:0]	[0]
72	18	11	2,048	[14:4]	[15:0]	[1:0]
72	36	10	1,024	[14:5]	[31:0]	[3:0]
72	72	9	512	[14:6]	[63:0]	[7:0]

Notes:

1. Either the Read or Write port is a fixed width of x64 or x72.

For cascadable block RAM using the RAMB36E1, the data width is one bit, and the address bus is 16 bits [15:0]. The address bit 15 is only used in cascadable block RAM. For non-cascading block RAM, connect High.

Data and address pin mapping is further described in the [Additional RAMB18E1 and RAMB36E1 Primitive Design Considerations](#) section.

SDP mode port name mapping is listed in [Table 1-15](#). [Figure 1-6, page 22](#) shows the SDP mode data flow.

Table 1-15: SDP Mode Port Name Mapping

RAMB18E1 in SDP Mode		RAMB36E1 in SDP Mode	
X36 Mode (Width = 36)	X18 Mode (Width ≤ 18)	X72 Mode (Width = 72)	X36 Mode (Width ≤ 36)
DI[15:0] = DIADI[15:0]	DI[15:0] = DIBDI[15:0]	DI[31:0] = DIADI[31:0]	DI[31:0] = DIBDI[31:0]
DIP[1:0] = DIPADI[1:0]	DIP[1:0] = DIPBDIP[1:0]	DIP[3:0] = DIPADI[3:0]	DIP[3:0] = DIPBDIP[3:0]
DI[31:16] = DIBDI[15:0]		DI[63:32] = DIBDI[31:0]	
DIP[3:2] = DIPBDIP[1:0]		DIP[7:4] = DIPBDIP[3:0]	
DO[15:0] = DOADO[15:0]	DO[15:0] = DOADO[15:0]	DO[31:0] = DOADO[31:0]	DO[31:0] = DOADO[31:0]
DOP[1:0] = DOPADOP[1:0]	DOP[1:0] = DOPADOP[1:0]	DOP[3:0] = DOPADOP[3:0]	DOP[3:0] = DOPADOP[3:0]
DO[31:16] = DOBDO[15:0]		DO[63:32] = DOBDO[31:0]	
DOP[3:2] = DOPBDOP[1:0]		DOP[7:4] = DOPBDOP[3:0]	

Data-In Buses - DIADI, DIPADIP, DIBDI, and DIPBDIP

Data-in buses provide the new data value to be written into RAM. The regular data-in bus (DI), plus the parity data-in bus (DIP) when available, have a total width equal to the port width. For example the 36-bit port data width is represented by DI[31:0] and DIP[3:0], as shown in [Table 1-11](#) through [Table 1-14](#). See [Table 1-15](#) for SDP mode port name mapping.

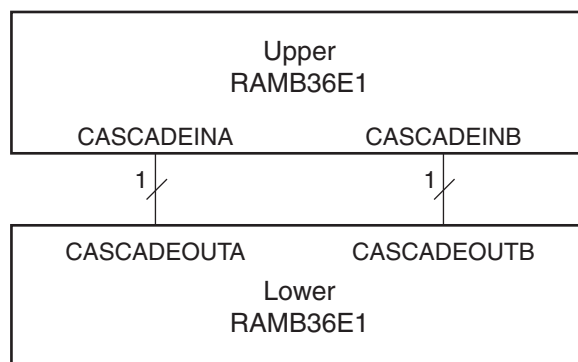
Data-Out Buses - DOADO, DOPADOP, DOBDO, and DOPBDOP

Data-out buses reflect the contents of memory cells referenced by the address bus at the last active clock edge during a read operation. During a write operation (WRITE_FIRST or READ_FIRST configuration), the data-out buses reflect either the data being written or the stored value before write. During a write operation in NO_CHANGE mode, data-out buses are not changed. The regular data-out bus (DO) plus the parity data-out bus (DOP) (when available) have a total width equal to the port width, as shown in [Table 1-11](#) through [Table 1-14](#). See [Table 1-15](#) for SDP mode port name mapping.

Cascade In

CASCADEINA, CASCADEINB, CASCADEOUTA, and CASCADEOUTB

The CASCADEIN/CASCADEOUT pins are used to connect two block RAMs to form the 64K x 1 mode (Figure 1-10). The CASCADEIN pins of the upper block RAM are connected to the CASCADEOUT pins of the lower block RAM of the corresponding ports. When cascade mode is not used, this pin does not need to be connected. Refer to the [Cascadable Block RAM](#) for further information. Cascading is only available in TDP mode.



UG473_c1_10_040411

Figure 1-10: Two RAMB36E1s Cascaded

Inverting Control Pins

For each port, the eight control pins (CLK, EN, RSTREG, and RSTRAM) each have an individual inversion option. EN, RSTREG, and RSTRAM control signals can be configured as active-High or -Low, and the clock can be active on a rising or falling edge (active-High on rising edge by default), without requiring other logic resources.

GSR

The global set/reset (GSR) signal of a 7 series device is an asynchronous global signal that is active at the end of device configuration. The GSR can also restore the initial 7 series device state at any time. The GSR signal initializes the output latches to the INIT (simple dual port), or to the INIT_A and INIT_B value (true dual port). See [Block RAM Attributes](#). A GSR signal has no impact on internal memory contents. Because it is a global signal, the GSR has no input pin at the functional level (block RAM primitive). While GSR is asserted, a write operation is not always successful.

Unused Inputs

Unused data inputs should be connected Low. Unused address inputs should be connected High.

For example, for the attribute INIT_1F, the conversion is as follows:

- yy = conversion hex-encoded to decimal (xx) "1F" = 31
- from $[(31+1) \times 256] - 1 = 8191$
- to $31 \times 256 = 7936$

More examples are given in [Table 1-17](#).

Table 1-17: Block RAM Initialization Attributes

Attribute	Memory Location	
	From	To
INIT_00	255	0
INIT_01	511	256
INIT_02	767	512
...
INIT_0E	3839	3584
INIT_0F	4095	3840
INIT_10	4351	4096
...
INIT_1F	8191	7936
INIT_20	8447	8192
...
INIT_2F	12287	12032
INIT_30	12543	12288
...
INIT_3F	16383	16128
...
INIT_7F	32767	32512

Content Initialization - INITP_xx

INITP_xx attributes define the initial contents of the memory cells corresponding to DIP/DOP buses (parity bits). By default these memory cells are also initialized to all zeros. The initialization attributes represent the memory contents of the parity bits. The eight initialization attributes are INITP_00 through INITP_07 for the RAMB18E1. The 16 initialization attributes are INITP_00 through INITP_0F for the RAMB36E1. Each INITP_xx is a 64-digit hex-encoded bit vector with a regular INIT_xx attribute behavior. The same formula can be used to calculate the bit positions initialized by a particular INITP_xx attribute.

Output Latches Initialization - INIT (INIT_A or INIT_B)

The INIT (single-port) or INIT_A and INIT_B (dual-port) attributes define the output latches or output register values after configuration. The width of the INIT (INIT_A and INIT_B) attribute is the port width, as shown in Table 1-18. These attributes are hex-encoded bit vectors, and the default value is 0. In cascade mode, both the upper and lower block RAM should be initialized to the same value.

Output Latches/Registers Synchronous Set/Reset (SRVAL_[AIB])

The SRVAL (single-port) or SRVAL_A and SRVAL_B (dual-port) attributes define output latch values when the RSTRAM/RSTREG input is asserted. The width of the SRVAL (SRVAL_A and SRVAL_B) attribute is the port width, as shown in Table 1-18. These attributes are hex-encoded bit vectors and the default value is 0. This attribute sets the value of the output register when the optional output register attribute is set. When the register is not used, the latch gets set to the SRVAL instead. Table 1-18 and Table 1-19 show how the SRVAL and INIT bit locations map to the DO outputs for the block RAM primitives and the SDP macro.

Table 1-18: RAMB18E1 and RAMB36E1, SRVAL and INIT Mapping for Port A and Port B

Port Width	SRVAL/INIT_(A/B) Full Width	SRVAL/INIT_(A/B) Mapping to DO		SRVAL/INIT_(A/B) Mapping to DOP	
		DOADO/DOBDO	(SRVAL/INIT)_(A/B)	DOP(A/B)/DOP	SRVAL/INIT_(A/B)
1	[0]	[0]	[0]	N/A	N/A
2	[1:0]	[1:0]	[1:0]	N/A	N/A
4	[3:0]	[3:0]	[3:0]	N/A	N/A
9	[8:0]	[7:0]	[7:0]	[0]	[8]
18	[17:0]	[15:0]	[15:0]	[1:0]	[17:16]
36 (only for RAMB36E1)	[35:0]	[31:0]	[31:0]	[3:0]	[35:32]

Table 1-19: SDP Macro for RAMB18E1 and RAMB36E1

Port Width	SRVAL/INIT Full Width	SRVAL/INIT Mapping to DO		SRVAL/INIT Mapping to DOP	
		DO	SRVAL/INIT	DOP	SRVAL/INIT
36 RAMB18E1 SDP MACRO	[35:0]	[31:0]	[33:18]/[15:0]	[3:0]	[35:34]/[17:16]
72 RAMB36E1 SDP MACRO	[71:0]	[63:0]	[67:36]/[31:0]	[7:0]	[71:68]/[35:32]

Reset or CE Priority - RSTREG_PRIORITY_[AIB]

This attribute determines the priority of RSTREG or REGCE while asserting RSTREG when DO_REG = 1. Valid values are RSTREG or REGCE.

Optional Output Register On/Off Switch - DO[AIB]_REG

This attribute sets the number of pipeline register at A/B output of the block RAM. The valid values are 0 (default) or 1.

Extended Mode Address Determinant - RAM_EXTENSION_[AIB]

This attribute determines whether the block RAM of interest has its A/B port as UPPER/LOWER address when using the cascade mode. Refer to the [Cascadable Block RAM](#) section. When the block RAM is not used in cascade mode, the default value is NONE.

Read Width - READ_WIDTH_[AIB]

This attribute determines the A/B read port width of the block RAM. The valid values are: 0 (default), 1, 2, 4, 9, 18, 36, and when using RAMB36E1 port A in SDP mode, 72.

Write Width - WRITE_WIDTH_[AIB]

This attribute determines the A/B write port width of the block RAM. The valid values are: 0 (default), 1, 2, 4, 9, 18, 36, and when using RAMB36E1 port A in SDP mode, 72.

Mode Selection - RAM_MODE

This attribute selects either true dual-port mode (TDP) or simple dual-port mode (SDP). The valid values are: TDP (default) or SDP.

Write Mode - WRITE_MODE_[AIB]

This attribute determines the write mode of the A/B input ports. The possible values are WRITE_FIRST (default), READ_FIRST, and NO_CHANGE. Additional information on the write modes is in the [Write Modes](#) section.

RDADDR_COLLISION_HWCONFIG

This attribute allows a trade off between performance and potential address overlap (collision) in SDP or TDP mode. Address overlap can occur in synchronous or asynchronous clocking applications if a block RAM in SDP mode is set to READ_FIRST or a block RAM in TDP mode has set any port to READ_FIRST mode. For the RAMB36E1, address overlap is defined as A14-A8 being identical for both ports in the same clock cycle and both ports are enabled. For the RAMB18E1, address overlap is defined as A13-A7 being identical for both ports in the same clock cycle and both ports are enabled.

If an address overlap (collision) cannot occur, the full block RAM performance can be reclaimed by setting this attribute to PERFORMANCE. Otherwise, you should set it to DELAYED_WRITE (default). If an address collision occurs in PERFORMANCE mode, the content of the memory cells can be corrupted.

Note: The address overlap condition is separate from the address collision described in [Conflict Avoidance](#), page 19.

SIM_COLLISION_CHECK

This attribute sets the level of collision checking and behavior in the simulation model. Possible values are ALL (default), GENERATE_X_ONLY, NONE, and WARNING_ONLY.

INIT_FILE

This attribute points to an optional RAM initialization file (initial content). The values are NONE (default) or a STRING (the file name). For the file format, refer to the Xilinx tools documentation.

SIM_DEVICE

This attribute sets the simulation target device family. Allowed values are NONE (default) or a STRING with the family name: VIRTEX5, VIRTEX6 (default), 7_SERIES.

Block RAM Location Constraints

Block RAM instances can have LOC properties attached to them to constrain placement. Block RAM placement locations differ from the convention used for naming CLB locations, allowing LOC properties to transfer from array to array.

The LOC properties use this form:

```
LOC = RAMB36_X#Y#
```

The RAMB36_X0Y0 is the bottom-left block RAM location on the device. If RAMB36E1 is constrained to RAMB36_X#Y#, the FIFO cannot be constrained to FIFO36_X#Y# because they share a location.

Two RAMB18E1s can be placed in the same RAMB36E1 location:

```
inst "my_ramb18_2" LOC = RAMB36_X0Y0
inst "my_ramb18_1" LOC = RAMB36_X0Y0
```

In addition, one FIFO18 and one RAMB18 can be placed in the same RAMB36E1 location:

```
inst "my_ramb18" LOC = RAMB36_X0Y0
inst "my_fifo18" LOC = RAMB36_X0Y0
```

Block RAM Initialization in VHDL or Verilog Code

Block RAM attributes and content can be initialized in VHDL or Verilog code for both synthesis and simulation by using generic maps (VHDL) or defparams (Verilog) within the instantiated component. Modifying the values of the generic map or defparam affects both the simulation behavior and the implemented synthesis results. Inferred block RAM can be initialized as well. The *7 Series FPGAs Libraries Guide* includes the code to instantiate the RAMB36E1 primitive.

Additional RAMB18E1 and RAMB36E1 Primitive Design Considerations

The RAMB18E1 and RAMB36E1 primitives are integral in the 7 series FPGAs block RAM solution.

Optional Output Registers

Optional output registers can be used at either or both A | B output ports of RAMB18E1 and RAMB36E1. The choice is made using the DO[A | B]_REG attribute. The two independent clock enable pins are REGCE[A | B]. When using the optional output registers at port [A | B], assertion of the synchronous set/reset (RSTREG and RSTRAM) pins of ports [A | B] causes the value specified by the attribute SRVAL to be registered at the output.

[Figure 1-5](#) shows an optional output register.

Independent Read and Write Port Width

To specify the port widths using the dual-port mode of the block RAM, designers must use the READ_WIDTH_[A | B] and WRITE_WIDTH_[A | B] attributes. These rules should be considered:

- Designing a single port block RAM requires the port pair widths of one write and one read to be set (for example, READ_WIDTH_A and WRITE_WIDTH_A).
- Designing a dual-port block RAM requires all port widths to be set.
- When using these attributes, if both write ports or both read ports are set to 0, the Xilinx tools do not implement the design. In simple dual-port mode, one side of the ports is fixed while the other side can have a variable width. The RAMB18E1 has a data port width of up to 36, while the RAMB36E1 has a data port width of up to 72.

RAMB18E1 and RAMB36E1 Port Mapping Design Rules

The 7 series FPGAs block RAM are configurable to various port widths and sizes. Depending on the configuration, some data pins and address pins are not used. [Table 1-11](#) through [Table 1-14](#) show the pins used in various configurations. In addition to the information in these tables, these rules are useful to determine the RAMB port connections:

- When using RAMB36E1, if the DI[A | B] pins are less than 32 bits wide, concatenate (32 – DI_BIT_WIDTH) logic zeros to the front of DI[A | B].
- If the DIP[A | B] pins are less than 4 bits wide, concatenate (4 – DIP_BIT_WIDTH) logic zeros to the front of DIP[A | B]. DIP[A | B] can be left unconnected when not in use.
- DO[A | B] pins must be 32 bits wide. However, valid data are only found on pins DO_BIT_WIDTH – 1 down to 0.
- DOP[A | B] pins must be 4 bits wide. However, valid data are only found on pins DOP_BIT_WIDTH – 1 down to 0. DOP[A | B] can be left unconnected when not in use.
- ADDR[A | B] pins must be 16 bits wide. However, valid addresses for non-cascadable block RAM are only found on pin 14 to (15 – address width). The remaining pins, including pin 15, should be tied High. Address width is defined in [Table 1-11, page 29](#).

Cascadable Block RAM

To use the cascadable block RAM feature:

- Two RAMB36E1 primitives must be instantiated.
- Set the RAM_EXTENSION_A and RAM_EXTENSION_B attribute for one RAMB36E1 to UPPER, and another to LOWER.
- Connect the upper RAMB36E1 CASCADEINA and CASCADEINB ports to the CASCADEOUTA and CASCADEOUTB ports of the lower RAMB36E1. The

CASCADEOUT ports for the upper RAMB36E1 do not require a connection. Connect the CASCADEIN ports for the lower RAMB36E1 to either logic High or Low.

- The data output ports of the lower RAMB36E1 are not used. These pins are unconnected.
- If placing location constraints on the two RAMB36E1s, they must be adjacent. If no location constraint is specified, the Xilinx tools automatically manage the RAMB36E1 locations.
- The address pins ADDR[A | B] must be 16 bits wide. Both read and write ports must be one bit wide.
- The optional output registers can be used by setting the DO_REG = 1 attribute.

Figure 1-7, page 23 shows the cascadable block RAM.

Byte-Wide Write Enable

These rules should be considered when using the byte-wide write enable feature:

- For RAMB36E1
 - In x72 SDP mode, WEBWE<7:0> is used to connect the eight WE inputs for the write port. WEA<3:0> is unused.
 - In x36 mode, WEA[3:0] is used to connect the four WE inputs for port A and WEBWE<3:0> is used to connect the four WE inputs for port B. WEBWE<7:4> is unused.
 - In x18 mode, WEA[1:0] is used to connect the two user WE inputs for port A and WEBWE<1:0> is used to connect the two WE inputs for port B. WEA<3:2> and WEBWE<7:2> are unused.
 - In x9 or smaller port width mode, WEA[0] is used to connect the single user WE input for port A and WEBWE<0> is used to connect the single WE input for port B. WEA<3:1> and WEBWE<7:1> are unused.
- For RAMB18E1
 - In x36 SDP mode, WEBWE<3:0> is used to connect the four WE inputs for the write port. WEA<1:0> is unused.
 - In x18 mode, WEA[1:0] is used to connect the two WE inputs for port A and WEBWE<1:0> is used to connect the two WE inputs for port B. WEBWE<3:2> is unused.
 - In x9 or smaller port width mode, WEA[0] is used to connect the single user WE input for port A and WEBWE<0> is used to connect the single WE input for port B. WEA<1> and WEBWE<3:1> are unused.

Block RAM Applications

Creating Larger RAM Structures

Block RAM columns have special routing (in addition to the 64K x 1 cascade) to create wider/deeper blocks using 36 Kb block RAMs with minimal routing delays. Wider or deeper RAM structures are achieved with a smaller timing penalty than is encountered when using normal routing resources.

Synthesis inference or the Xilinx CORE Generator tool program offers you an easy way to generate wider and deeper memory structures using multiple block RAM instances. This program outputs VHDL or Verilog instantiation templates and simulation models, along with an EDIF file for inclusion in a design.

Block RAM RSTREG in Register Mode

A block RAM RSTREG in register mode can be used to control the output register as a true pipeline register independent of the block RAM. As shown in Figure 1-11, block RAM can be read and written independent of register enable or set/reset. In register mode RSTREG sets DO to the SRVAL and data can be read from the block RAM to DBRAM. Data at DBRAM can be clocked out (DO) on the next cycle. The timing diagrams in Figure 1-12 through Figure 1-14 show different cases of the RSTREG operation.

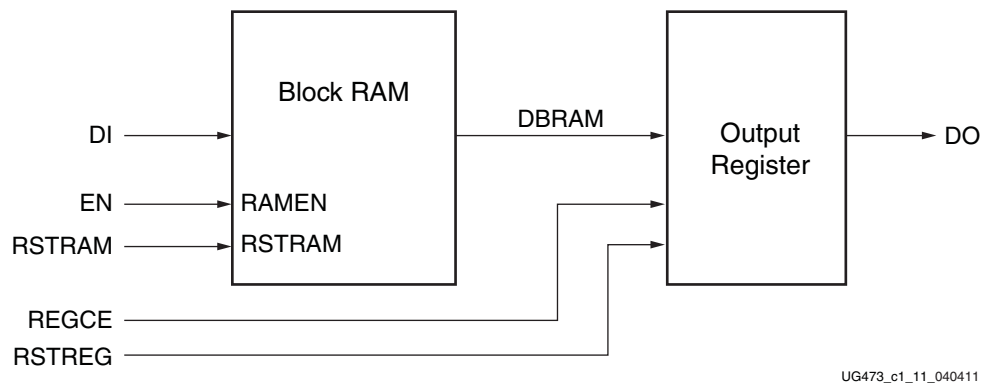


Figure 1-11: Block RAM RSTREG in Register Mode

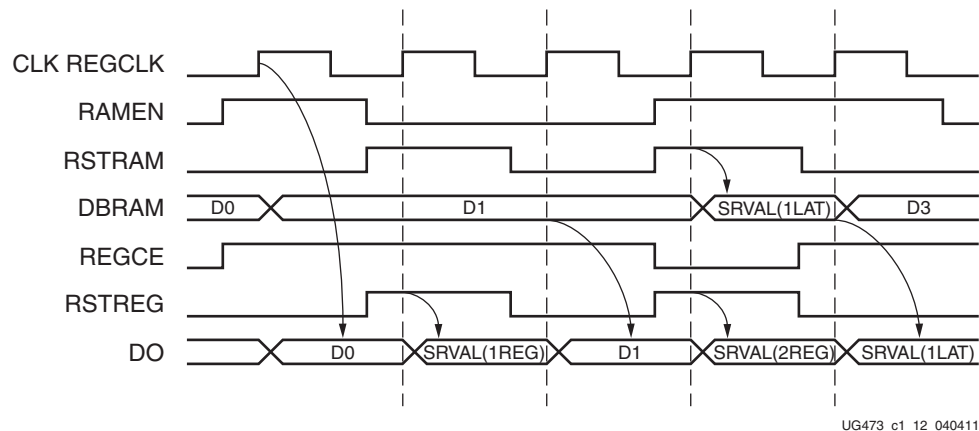


Figure 1-12: Block RAM Reset Operation in RSTREG Mode

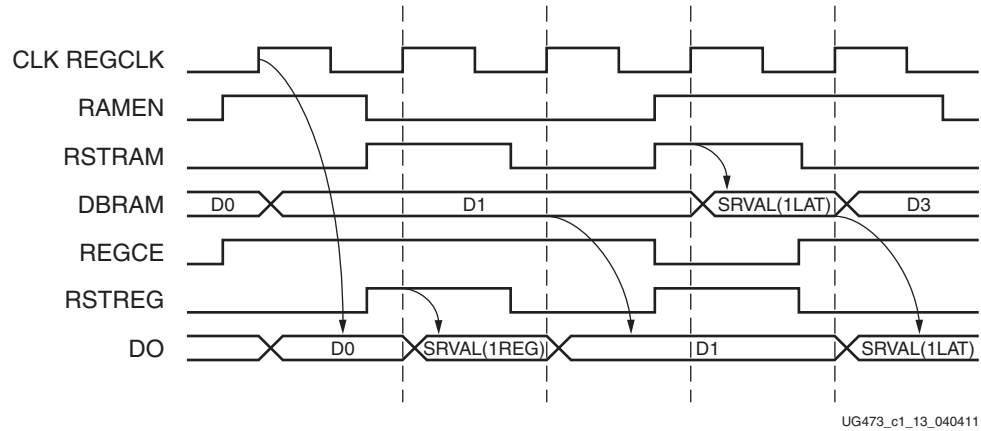


Figure 1-13: Block RAM Reset Operation in REGCE Mode

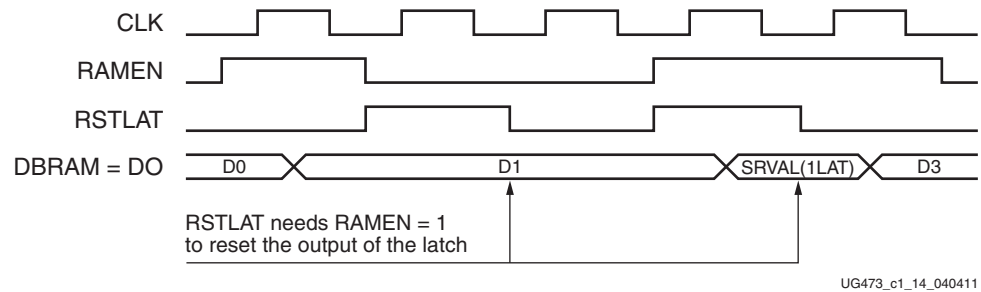


Figure 1-14: Block RAM Reset Operation in Latch Mode

Block RAM Timing Model

This section describes the timing parameters associated with the block RAM in 7 series devices (illustrated in [Figure 1-15](#)). The switching characteristics section in the *7 Series FPGAs Data Sheets* and the Timing Analyzer report from Xilinx software are also available for reference.

Block RAM Timing Parameters

Table 1-20 shows the 7 series FPGAs block RAM timing parameters.

Table 1-20: Block RAM Timing Parameters

Parameter	Function	Control Signal	Description
Setup and Hold Relative to Clock (CLK)			
T_{RxCk_x} = Setup time (before clock edge) and T_{RCKx_x} = Hold time (after clock edge)			
T_{RCK_ADDR}	Address inputs	ADDR	Time before the clock that address signals must be stable at the ADDR inputs of the block RAM. ⁽¹⁾
T_{RCK_ADDR}			Time after the clock that address signals must be stable at the ADDR inputs of the block RAM. ⁽¹⁾
T_{RDCK_DI}	Data inputs	DI	Time before the clock that data must be stable at the DI inputs of the block RAM.
T_{RCKD_DI}			Time after the clock that data must be stable at the DI inputs of the block RAM.
T_{RCK_RDEN}	Enable	EN	Time before the clock that the enable signal must be stable at the EN input of the block RAM.
T_{RCKC_RDEN}			Time after the clock that the enable signal must be stable at the EN input of the block RAM.
T_{RCK_RSTREG}	Synchronous Set/Reset	RSTREG RSTRAM	Time before the clock that the synchronous set/reset signal must be stable at the RST input of the block RAM.
T_{RCK_RSTRAM}			
T_{RCKC_RSTREG}			Time after the clock that the synchronous set/reset signal must be stable at the RST input of the block RAM.
T_{RCKC_RSTRAM}			
T_{RCK_WEA}	Write Enable	WE	Time before the clock that the write enable signal must be stable at the WE input of the block RAM.
T_{RCKC_WEA}			Time after the clock that the write enable signal must be stable at the WE input of the block RAM.
T_{RCK_REGCE}	Optional Output Register Enable	REGCE	Time before the CLK that the register enable signal must be stable at the REGCE input of the block RAM.
T_{RCKC_REGCE}			Time after the clock that the register enable signal must be stable at the REGCE input of the block RAM.
Clock to Out Delays			
T_{RCKO_DO} (latch mode)	Clock to Output	CLK to DO	Time after the clock that the output data is stable at the DO outputs of the block RAM (without output register).
$T_{RCKO_DO_REG}$ (register mode)	Clock to Output	CLK to DO	Time after the clock that the output data is stable at the DO outputs of the block RAM (with output register).

Notes:

- While EN is active, ADDR inputs must be stable during the entire setup/hold time window, even if WE is inactive. Violating this requirement can result in block RAM data corruption. If ADDR timing could violate the specified requirements, EN must be inactive (disabled).

Block RAM Timing Characteristics

The timing diagram in [Figure 1-15](#) describes a single-port block RAM in write-first mode without the optional output register. The timing for read-first and no-change modes are similar. For timing using the optional output register, an additional clock latency appears at the DO pin. These waveforms correspond to latch mode when the optional output pipeline register is not used.

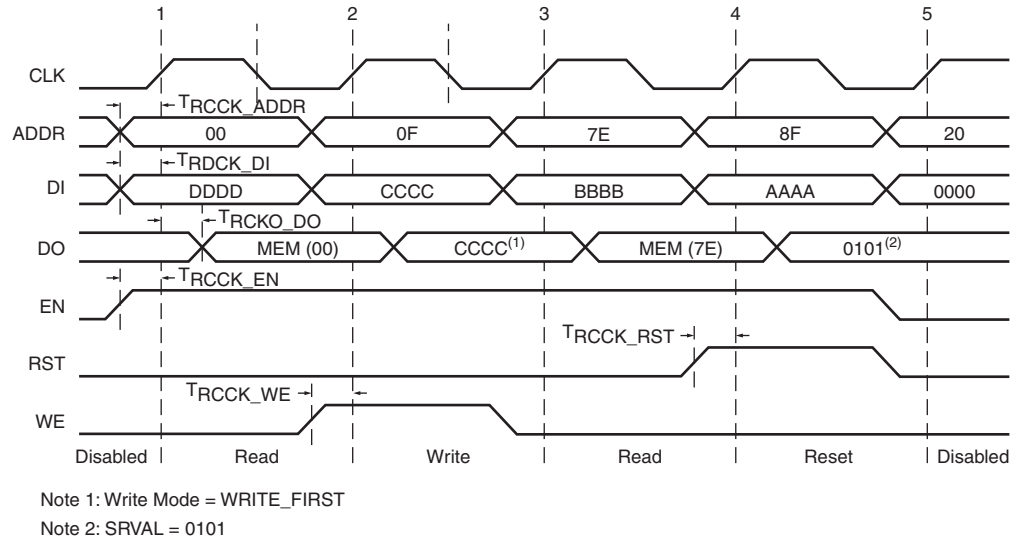


Figure 1-15: Block RAM Timing Diagram

At time 0, the block RAM is disabled; EN (enable) is Low.

Clock Event 1

Read Operation

During a read operation, the contents of the memory at the address on the ADDR inputs remain unchanged.

- T_{RCCK_ADDR} before clock event 1, address 00 becomes valid at the ADDR inputs of the block RAM.
- At time T_{RCCK_EN} before clock event 1, enable is asserted High at the EN input of the block RAM, enabling the memory for the READ operation that follows.
- At time T_{RCKO_DO} after clock event 1, the contents of the memory at address 00 become stable at the DO pins of the block RAM.
- Whenever EN is asserted, all address changes must meet the specified setup and hold window. Asynchronous address changes can affect the memory content and block RAM functionality in an unpredictable way.

Clock Event 2

Write Operation

During a write operation, the content of the memory at the location specified by the address on the ADDR inputs is replaced by the value on the DI pins and is immediately reflected on the output latches (in WRITE_FIRST mode); when Write Enable (WE) is High.

- At time T_{RCCK_ADDR} before clock event 2, address **0F** becomes valid at the ADDR inputs of the block RAM.
- At time T_{RDCK_DI} before clock event 2, data **CCCC** becomes valid at the DI inputs of the block RAM.
- At time T_{RCCK_WE} before clock event 2, write enable becomes valid at the WE following the block RAM.
- At time T_{RCKO_DO} after clock event 2, data **CCCC** becomes valid at the DO outputs of the block RAM.

Clock Event 4

RST (Synchronous Set/Reset) Operation

During an RSTRAM operation, initialization parameter value SRVAL is loaded into the output latches of the block RAM. The RSTRAM operation does NOT change the contents of the memory and is independent of the ADDR and DI inputs.

- At time T_{RCCK_RST} before clock event 4, the synchronous set/reset signal becomes valid (High) at the RSTRAM input of the block RAM.
- At time T_{RCKO_DO} after clock event 4, the SRVAL **0101** becomes valid at the DO outputs of the block RAM.

Clock Event 5

Disable Operation

Deasserting the enable signal EN disables any write, read, or RST operation. The disable operation does NOT change the contents of the memory or the values of the output latches.

- At time T_{RCCK_EN} before clock event 5, the enable signal becomes invalid (Low) at the EN input of the block RAM.
- After clock event 5, the data on the DO outputs of the block RAM is unchanged.

Block RAM Timing Model

Figure 1-16 illustrates the delay paths associated with the implementation of block RAM. This example takes the simplest paths on and off FPGA (these paths can vary greatly depending on the design). This timing model demonstrates how and where the block RAM timing parameters are used.

- NET = Varying interconnect delays
- T_{IOPI} = Pad to I-output of IOB delay
- T_{IOOP} = O-input of IOB to pad delay
- T_{BCCKO_O} = BUFGCTRL delay

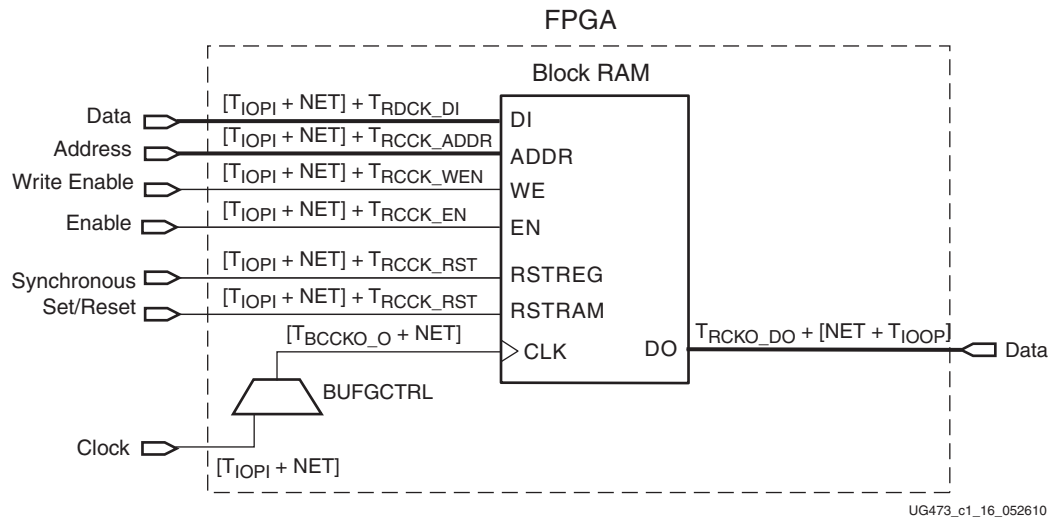


Figure 1-16: Block RAM Timing Model

Stacked Silicon Interconnect

The block RAM blocks cannot be cascaded across the interposer (SLR boundary). For more information on stacked silicon interconnect (SSI) technology, see [WP380](#), *Xilinx Stacked Silicon Interconnect Technology Delivers Breakthrough FPGA Capacity, Bandwidth, and Power Efficiency*.

Built-in FIFO Support

Overview

Many FPGA designs use block RAMs to implement FIFOs. In the Xilinx® 7 series architecture, dedicated logic in the block RAM enables you to implement synchronous or dual-clock (asynchronous) FIFOs. This eliminates the need for additional CLB logic for counter, comparator, or status flag generation, and uses just one block RAM resource per FIFO. Both standard and first-word fall-through (FWFT) modes are supported.

In the 7 series architecture, the FIFO can be configured as a 18 Kb or 36 Kb memory. For the 18 Kb mode, the supported configurations are 4K x 4, 2K x 9, 1K x 18, and 512 x 36. The supported configurations for the 36 Kb FIFO are 8K x 4, 4K x 9, 2K x 18, 1K x 36, and 512 x 72.

The block RAM can be configured as first-in/first-out (FIFO) memory with common or independent read and write clocks. Port A of the block RAM is used as a FIFO read port, and Port B is a FIFO write port. Data is read from the FIFO on the rising edge of read clock and written to the FIFO on the rising edge of write clock. Independent read and write port width selection is not supported in FIFO mode without the aid of external CLB logic.

Dual-Clock FIFO

The dual-clock FIFO offers a very simple user interface. The design relies on free-running write and read clocks, of identical or different frequencies up to the specified maximum frequency limit. The design avoids any ambiguity, glitch, or metastable problems, even when the two frequencies are completely unrelated.

The write operation is synchronous, writing the data word available at DI into the FIFO whenever WREN is active one setup time before the rising WRCLK edge.

The read operation is also synchronous, presenting the next data word at DO whenever the RDEN is active one setup time before the rising RDCLK edge.

Data flow control is automatic; you need not be concerned about the block RAM addressing sequence, although WRCOUNT and RDCOUNT are also brought out, if needed for special applications.

You must, however, observe the FULL and EMPTY flags, and stop writing when FULL is High, and stop reading when EMPTY is High. If these rules are violated, an active WREN while FULL is High activates the WRERR flag, and an active RDEN while EMPTY is High activates the RDERR flag. In either violation, the FIFO content, however, is preserved, and the address counters stay valid.

Programmable Almost Full and Almost Empty flags are brought out to give you an early warning when the FIFO is approaching its limits. Both these flag values can be set by configuration to (almost) anywhere in the FIFO address range.

Two operating modes affect the reading of the first word after the FIFO is emptied:

- In standard mode, the first word written into an empty FIFO appears at DO after you have activated RDEN. You must pull the data out of the FIFO.
- In FWFT mode, the first word written into an empty FIFO automatically appears at DO without you activating RDEN. The next RDEN then pulls the subsequent data word onto DO.
- Standard and FWFT mode differ only in the reading of the first word entry after the FIFO is empty.

The EN_SYN = FALSE setting is used in these cases:

- when the clocks are asynchronous
- when the frequencies of the two clocks are the same but the phase is different
- when one frequency is a multiple of the other.

Synchronous FIFO

When using 7 series FPGAs synchronous FIFOs, set the EN_SYN attribute to TRUE to eliminate clock cycle latency when asserting or deasserting flags.

When the built-in FIFO is used as a synchronous FIFO with the EN_SYN attribute set to TRUE and the reset is asynchronous, the behavior of the flags is not predictable after the first write. In this case, Xilinx recommends synchronizing the reset or synchronizing only the negative edge of reset to the RDCLK or WRCLK. This synchronization is not required in configurations where EN_SYN is set to FALSE.

First-word fall-through (FWFT) mode is only supported in the dual-clock FIFO (EN_SYN = FALSE). [Table 2-1](#) shows the FIFO capacity in the two modes.

Table 2-1: FIFO Capacity

Standard Mode		FWFT Mode	
18 Kb FIFO	36 Kb FIFO	18 Kb FIFO	36 Kb FIFO
4k entries by 4 bits	8k entries by 4 bits	4k + 1 entries by 4 bits	8k + 1 entries by 4 bits
2k entries by 9 bits	4k entries by 9 bits	2k + 1 entries by 9 bits	4k + 1 entries by 9 bits
1k entries by 18 bits	2k entries by 18 bits	1k + 1 entries by 18 bits	2k + 1 entries by 18 bits
512 entries by 36 bits	1k entries by 36 bits	512 + 1 entries by 36 bits	1k + 1 entries by 36 bits
	512 entries by 72 bits		512 + 1 entries by 72 bits

Synchronous FIFO Implementations

Table 2-2 outlines varied implementations of synchronous FIFOs. Figure 2-1 shows the timing differences.

Table 2-2: Comparison of Synchronous FIFO Implementations

Synchronous FIFO Implementations	Advantages	Disadvantages
EN_SYN = TRUE, DO_REG = 0	No flag uncertainty	Longer data output delay (clock-to-out)
EN_SYN = TRUE, DO_REG = 1	Faster data output delay (clock-to-out), no flag uncertainty	Data Latency increased by one. Behaves like a synchronous FIFO with an extra data output pipeline register
EN_SYN = FALSE, DO_REG = 1 RDCLK = WRCLK	Faster data output delay (clock-to-out)	Falling-edge flag uncertainty. Rising edge guaranteed on FULL and EMPTY

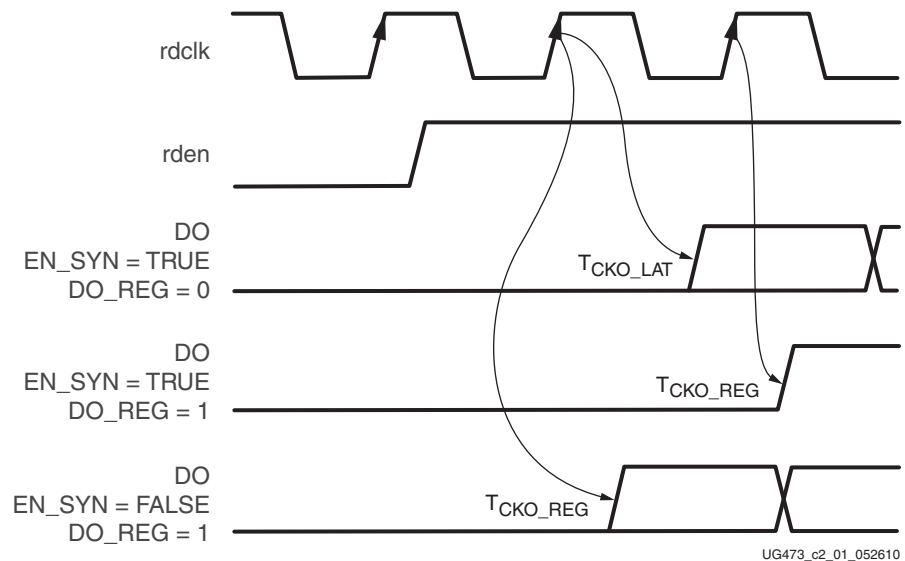
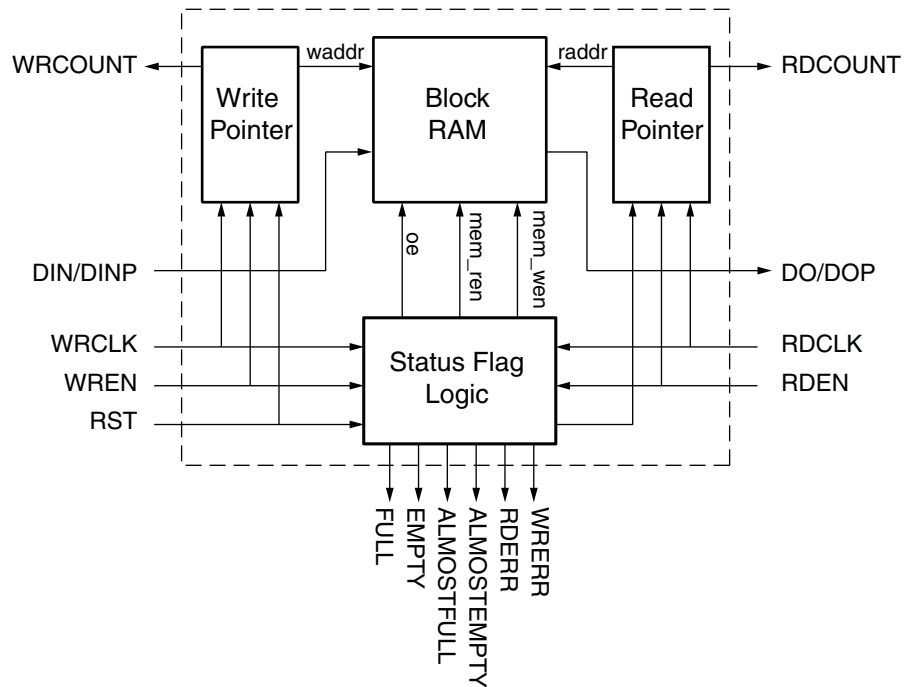


Figure 2-1: Synchronous FIFO Data Timing Diagram

FIFO Architecture: a Top-Level View

Figure 2-2 shows a top-level view of the 7 series FPGAs FIFO architecture. The read pointer, write pointer, and status flag logic are dedicated for FIFO use only.

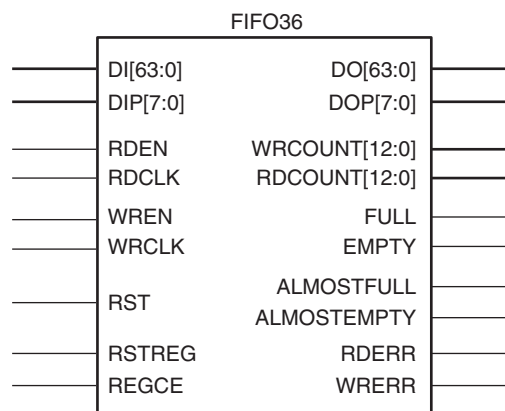


UG473_c2_02_052610

Figure 2-2: Top-Level View of FIFO in Block RAM

FIFO Primitives

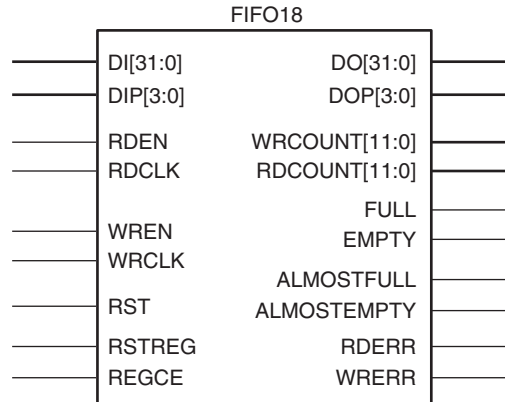
Figure 2-3 shows the FIFO36E1 in FIFO36_72 mode.



UG473_c2_03_052610

Figure 2-3: FIFO36

Figure 2-4 shows the FIFO18E1 in FIFO18_36 mode.



UG473_c2_04_052610

Figure 2-4: FIFO18

FIFO Port Descriptions

Table 2-3 lists the FIFO I/O port names and descriptions.

Table 2-3: FIFO I/O Port Names and Descriptions

Port Name	Direction	Description
DI	Input	Data input.
DIP	Input	Parity-bit input.
WREN	Input	Write enable. When WREN = 1, data is written to memory. When WREN = 0, write is disabled. WREN and RDEN must be held Low before and during the Reset cycle. In addition, WREN and RDEN should be held Low for two WRCLK and RDCLK cycles, respectively, after the Reset is deasserted to guarantee timing.
WRCLK	Input	Clock for write domain operation.
RDEN	Input	Read enable. When RDEN = 1, data is read to the output register. When RDEN = 0, read is disabled. WREN and RDEN must be held Low before RST is asserted and during the Reset cycle.
RDCLK	Input	Clock for read domain operation.
RST	Input	Asynchronous reset of all FIFO functions, flags, and pointers. RST must be asserted for five read and write clock cycles. 7 series FPGAs block RAMs have a synchronizer not present in previous FPGA architectures that has simplified the reset function.
RSTREG	Input	Output register synchronous set/reset. Only used when EN_SYNC = TRUE and DO_REG = 1. RSTREG_PRIORITY is always set to RSTREG.

Table 2-3: FIFO I/O Port Names and Descriptions (Cont'd)

Port Name	Direction	Description
REGCE	Input	Output register clock enable. Only used when EN_SYNC = TRUE and DO_REG = 1. RSTREG has priority over REGCE.
DO	Output	Data output, synchronous to RDCLK.
DOP	Output	Parity-bit output, synchronous to RDCLK.
FULL	Output	All entries in FIFO memory are filled. No additional writes are accepted. Synchronous to WRCLK.
ALMOSTFULL	Output	Almost all entries in FIFO memory have been filled. The number of available entries in the FIFO is less than the ALMOST_FULL_OFFSET value. Synchronous to WRCLK. The offset for this flag is user configurable. See Table 2-4 for the clock latency for flag deassertion.
EMPTY	Output	FIFO is empty. No additional reads are accepted. Synchronous to RDCLK.
ALMOSTEMPTY	Output	Almost all valid entries in FIFO have been read. The number of entries in the FIFO is less than the ALMOST_EMPTY_OFFSET value. Synchronous with RDCLK. The offset for this flag is user configurable. See Table 2-4 for the clock latency for flag deassertion.
RDCOUNT	Output	The FIFO data read pointer. It is synchronous with RDCLK. The value wraps around when the maximum read pointer value is reached.
WRCOUNT	Output	The FIFO data write pointer. It is synchronous with WRCLK. The value wraps around when the maximum write pointer value is reached.
WRERR	Output	When the FIFO is full, any additional write operation generates an error flag. Synchronous with WRCLK.
RDERR	Output	When the FIFO is empty, any additional read operation generates an error flag. Synchronous with RDCLK.

FIFO Operations

Reset

A reset synchronizer circuit has been introduced to 7 series FPGAs. RST must be asserted for five cycles to reset all read and write address counters and initialize flags after power-up. RST does not clear the memory, nor does it clear the output register. When RST is asserted High, EMPTY and ALMOSTEMPTY are set to 1, FULL and ALMOSTFULL are reset to 0. The RST signal must be High for at least five read clock and write clock cycles to ensure all internal states are reset to correct values. During Reset, both RDEN and WREN must be deasserted (held Low).

Operating Mode

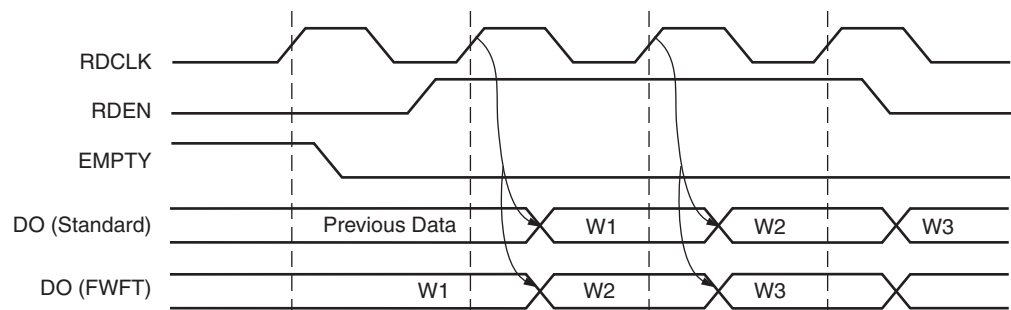
There are two operating modes in FIFO functions. They differ only in output behavior immediately after the first word is written to a previously empty FIFO.

Standard Mode

After the first word is written into an empty FIFO, the Empty flag is deasserted synchronously with RDCLK. After Empty is deasserted Low and RDEN is asserted, the first word appears at DO on the rising edge of RDCLK.

First Word Fall Through (FWFT) Mode

After the first word is written into an empty FIFO, this word automatically appears at DO before RDEN is asserted. Subsequent Read operations require Empty to be Low and RDEN to be High. [Figure 2-5](#) illustrates the difference between standard mode and FWFT mode.



UG473_c2_05_052610

Figure 2-5: Read Cycle Timing (Standard and FWFT Modes)

Status Flags

[Table 2-4](#) shows the number of clock cycles to assert or deassert each flag of a dual-clock FIFO. Synchronous FIFOs do not have a clock cycle latency when asserting or deasserting flags. Due to the asynchronous nature of the clocks, the simulation model only reflects the deassertion latency cycles listed.

Table 2-4: Dual-Clock FIFO Flag Assertion and Deassertion Latency

Status Flag	Clock Cycle Latency ⁽¹⁾			
	Assertion		Deassertion	
	Standard	FWFT	Standard	FWFT
Empty ⁽²⁾	0	0	3	4
Full ⁽²⁾	0	0	3	3
Almost Empty ⁽³⁾	1	1	4	4
Almost Full ⁽³⁾	1	1	4	4
Read Error	0	0	0	0
Write Error	0	0	0	0

Notes:

1. Latency is with respect to RDCLK or WRCLK.
2. Depending on the offset between read and write clock edges, the Empty and Full flags can deassert one cycle later.
3. Depending on the offset between read and write clock edges, the Almost Empty and Almost Full flags can deassert one cycle later.

Empty Flag

The Empty flag is synchronous with RDCLK, and is asserted when the last entry in the FIFO is read. When there are no more valid entries in the FIFO queue, the read pointer is frozen. The Empty flag is deasserted after three (in standard mode) or four (in FWFT mode) read clock cycles after new data is written into the FIFO.

The empty flag is used in the read clock domain. The rising edge of EMPTY is inherently synchronous with RDCLK. The empty condition can only be terminated by WRCLK, usually asynchronous to RDCLK. The falling edge of EMPTY must, therefore, artificially be moved onto the RDCLK time domain. Because the two clocks have an unknown phase relationship, it takes several cascaded flip-flops to guarantee that such a move does not cause glitches or metastable problems. The falling edge of EMPTY is thus delayed by several RDCLK periods after the first write into the previously empty FIFO. This delay guarantees proper operation under all circumstances, and causes an insignificant loss of performance after the FIFO had gone empty.

Almost Empty Flag

The Almost Empty flag is set when the FIFO contains the number of entries specified by the ALMOST_EMPTY_OFFSET value or fewer entries. The Almost Empty flag warns you to stop reading. It deasserts when the number of entries in the FIFO is greater than the ALMOST_EMPTY_OFFSET value. Assertion and deassertion is synchronous to RDCLK. Flag latency is described in [Table 2-4](#).

Read Error Flag

After the Empty flag has been asserted, any further read attempts do not increment the read address pointer but do trigger the Read Error flag. The Read Error flag is deasserted when Read Enable or Empty is deasserted Low. The Read Error flag is synchronous to RDCLK.

Full Flag

The Full flag is synchronous with WRCLK, and is asserted when there are no more available entries in the FIFO queue. When the FIFO is full, the write pointer is frozen. The Full flag is deasserted three write clock cycles after a subsequent read operation.

Write Error Flag

After the Full flag is asserted, any further write attempts do not increment the write address pointer but do trigger the Write Error flag. The Write Error flag is deasserted when Write Enable or Full is deasserted Low. This signal is synchronous to WRCLK.

Almost Full Flag

The Almost Full flag is set when the FIFO has the number of available empty spaces specified by the ALMOST_FULL_OFFSET value or fewer spaces. The Almost Full flag warns you to stop writing. It deasserts when the number of empty spaces in the FIFO is greater than the ALMOST_FULL_OFFSET value. Assertion and deassertion is synchronous to WRCLK. Flag latency is described in [Table 2-4](#).

FIFO Attributes

[Table 2-5](#) lists the FIFO18 and FIFO36 attributes. The size of the dual-clock FIFO can be configured by setting the DATA_WIDTH attribute. The [FIFO VHDL and Verilog Templates](#) section has examples for setting the attributes.

Table 2-5: FIFO18E1 and FIFO36E1 Attributes

Attribute Name	Type	Values	Default	Notes
ALMOST_FULL_OFFSET	13-bit HEX	See Table 2-8		Setting determines the difference between FULL and ALMOSTFULL conditions. Must be set using hexadecimal notation.
ALMOST_EMPTY_OFFSET	13-bit HEX	See Table 2-8		Setting determines the difference between EMPTY and ALMOSTEMPTY conditions. Must be set using hexadecimal notation.
FIRST_WORD_FALL_THROUGH	Boolean	FALSE, TRUE	FALSE	If TRUE, the first word written into the empty FIFO appears at the FIFO output without RDEN asserted.
DO_REG	1-bit Binary	0, 1	1	For dual-clock (asynchronous) FIFO, must be set to 1. For synchronous FIFO, DO_REG must be set to 0 for flags and data to follow a standard synchronous FIFO operation. When DO_REG is set to 1, effectively a pipeline register is added to the output of the synchronous FIFO. Data then has a one clock cycle latency. However, the clock-to-out timing is improved.
DATA_WIDTH	Integer	4, 9, 18, 36, 72	4	Specifies the data width for the FIFO.

Table 2-5: FIFO18E1 and FIFO36E1 Attributes (Cont'd)

Attribute Name	Type	Values	Default	Notes
FIFO_MODE	String	FIFO36, FIFO36_72	FIFO36	Selects the FIFO36 modes.
		FIFO18, FIFO18_36	FIFO18	Selects the FIFO18 modes.
EN_SYN	Boolean	FALSE, TRUE	FALSE	When set to TRUE, ties WRCLK and RDCLK together. When set to TRUE, FWFT must be FALSE. When set to FALSE, DO_REG must be 1.
SRVAL ⁽¹⁾	Hex	Any 36-bit value in FIFO18E1 and any 72-bit value in FIFO36E1	00h	Controls the value of the FIFO output when RSTREG is asserted. Only supported when DO_REG = 1 and EN_SYN = TRUE and RSTREG is connected to an active signal.
INIT ⁽¹⁾	Hex	Any 36-bit value in FIFO18E1 and any 72-bit value in FIFO36E1	00h	Specifies the initial value on the output after configuration, when DO_REG = 1 and EN_SYN = TRUE.

Notes:

1. Table 2-6 shows how the SRVAL and INIT bit locations map to the DO outputs for the FIFO primitives.

Table 2-6 shows how the SRVAL and INIT bit locations map to the DO outputs for the FIFO primitives.

Table 2-6: FIFO18E1/FIFO36E1 SRVAL/INIT Mapping

Port Width	SRVAL/INIT	SRVAL/INIT Mapping to DO		SRVAL/INIT Mapping to DOP	
		DO	SRVAL/INIT	DOP	SRVAL/INIT
4	[3:0]	[3:0]	[3:0]	NA	NA
9	[8:0]	[7:0]	[7:0]	[0]	[8]
18	[17:0]	[15:0]	[15:0]	[1:0]	[17:16]
36 (for FIFO36E1)	[35:0]	[31:0]	[31:0]	[3:0]	[35:32]
36 (for FIFO18_36)	[35:0]	[31:0]	[33:18],[15:0]	[3:0]	[35:34],[17:16]
72 (for FIFO36_72)	[71:0]	[63:0]	[67:36],[31:0]	[7:0]	[71:68],[35:32]

FIFO Almost Full/Empty Flag Offset Range

The FIFO data depth is listed in [Table 2-7](#). The offset ranges for Almost Empty and Almost Full are listed in [Table 2-8](#).

Table 2-7: FIFO Data Depth

Data Width		Block RAM	FIFO Capacity	
FIFO18 Mode	FIFO36 Mode		Standard	FWFT
	x4	8192	8192	8193
x4	x9	4096	4096	4097
x9	x18	2048	2048	2049
x18	x36	1024	1024	1025
x36	x72	512	512	513

Notes:

1. ALMOST_EMPTY_OFFSET and ALMOST_FULL_OFFSET for any design must be less than the total FIFO depth.

Table 2-8: FIFO Almost Full/Empty Flag Offset Range⁽¹⁾

Data Width		ALMOST_EMPTY_OFFSET				ALMOST_FULL_OFFSET	
FIFO18 Mode	FIFO36 Mode	Standard		FWFT		Min	Max
		Min	Max	Min	Max		
Dual-Clock (Asynchronous) – EN_SYN=FALSE							
	x4	5	8186	6	8187	4	8185
x4	x9	5	4090	6	4091	4	4089
x9	x18	5	2042	6	2043	4	2041
x18	x36	5	1018	6	1019	4	1017
x36	x72	5	506	6	507	4	505
Synchronous Mode – EN_SYN=TRUE							
	x4	1	8190	N/A	N/A	1	8190
x4	x9	1	4094	N/A	N/A	1	4094
x9	x18	1	2046	N/A	N/A	1	2046
x18	x36	1	1022	N/A	N/A	1	1022
x36	x72	1	510	N/A	N/A	1	510

Notes:

1. The ranges in this table apply when RDCLK and WRCLK are at the same frequency.

The Almost Full and Almost Empty offsets are usually set to a small value of less than 10 to provide a warning that the FIFO is about to reach its limits. Because the full capacity of any FIFO is normally not critical, most applications use the Almost Full flag not only as a warning but also as a signal to stop writing.

Similarly, the Almost Empty flag can be used to stop reading. However, this would make it impossible to read the very last entries remaining in the FIFO. You can ignore the Almost Empty signal and continue to read until EMPTY is asserted.

The Almost Full and Almost Empty offsets can also be used in unstoppable block transfer applications to signal that a complete block of data can be written or read. When setting the offset ranges in the design tools, use hexadecimal notation.

An additional ALMOST_FULL_OFFSET constraint value is necessary when the RDCLK frequency is different from the WRCLK frequency. When the WRCLK and RDCLK frequency have a wide disparity, then a different ALMOST_FULL_OFFSET applies that supersedes the maximum values in Table 2-8. In this case, the calculation in Equation 2-1 is used to determine the maximum ALMOST_FULL_OFFSET.

$$\text{Maximum ALMOST_FULL_OFFSET} = \text{FIFO_DEPTH} - \text{roundup}\left(4 \times \frac{\text{WRCLK_FREQ}}{\text{RDCLK_FREQ}}\right) + 6 \quad \text{Equation 2-1}$$

For example, using a 4K deep FIFO (FIFO36x9); if WRCLK is 500 MHz and RDCLK is 8 MHz, the maximum ALMOST_FULL_OFFSET = 4096 – (roundup(4 x 500/8)) + 6 = 3840.

FIFO VHDL and Verilog Templates

VHDL and Verilog templates are available in the *7 Series FPGAs Libraries Guide*.

FIFO Timing Models and Parameters

Table 2-9 lists the FIFO parameters.

Table 2-9: FIFO Timing Parameters

Parameter	Function	Control Signal	Description
Setup and Hold Relative to Clock (CLK)			
T_{RXCK} = Setup time (before clock edge) T_{RCKX} = Hold time (after clock edge)			
$T_{RDCK_DI}/$ $T_{RCKD_DI}^{(1)}$	Data inputs	DI	Time before/after WRCLK that DI must be stable.
$T_{RCCK_RDEN}/$ T_{RCKC_RDEN}	Read enable	RDEN	Time before/after RDCLK that RDEN must be stable.
$T_{RCCK_WREN}/$ T_{RCKC_WREN}	Write enable	WREN	Time before/after WRCLK that WREN must be stable.
$T_{RREC_RST}/$ T_{RREM_RST}	Asynchronous reset	RST	Time before/after RDCLK/WRCLK the RST must be deasserted.
$T_{RCCK_REGCE}/$ T_{RCKC_REGCE}	Optional output register enable	REGCE	Time before/after RDCLK that the REGCE signal must be stable. Applies only to the synchronous FIFO when DO_REG = 1.
$T_{RCCK_RSTREG}/$ T_{RCKC_RSTREG}	Synchronous set or reset	RSTREG	Time before/after RDCLK that the set/reset signal must be stable at the RSTREG pin. Applies only to the synchronous FIFO when DO_REG = 1.

Table 2-9: FIFO Timing Parameters (Cont'd)

Parameter	Function	Control Signal	Description
Clock to Out Delays			
$T_{RCKO_DO}^{(2)}$	Clock to data output	DO	Time after RDCLK that the output data is stable at the DO outputs of the FIFO. The synchronous FIFO with DO_REG = 0 is different than in dual-clock mode.
$T_{RCKO_DO_REG}^{(2)}$	Clock to data output	DO	Time after RDCLK that the output data is stable at the DO outputs of the FIFO. The synchronous FIFO with DO_REG = 1 is identical to that in dual-clock mode.
$T_{RCKO_AEMPTY}^{(3)}$	Clock to almost empty output	AEMPTY	Time after RDCLK that the Almost Empty signal is stable at the ALMOSTEMPTY outputs of the FIFO.
$T_{RCKO_AFULL}^{(3)}$	Clock to almost full output	AFULL	Time after WRCLK that the Almost Full signal is stable at the ALMOSTFULL outputs of the FIFO.
$T_{RCKO_EMPTY}^{(3)}$	Clock to empty output	EMPTY	Time after RDCLK that the Empty signal is stable at the EMPTY outputs of the FIFO.
$T_{RCKO_FULL}^{(3)}$	Clock to full output	FULL	Time after WRCLK that the Full signal is stable at the FULL outputs of the FIFO.
$T_{RCKO_RDERR}^{(3)}$	Clock to read error output	RDERR	Time after RDCLK that the Read Error signal is stable at the RDERR outputs of the FIFO.
$T_{RCKO_WRERR}^{(3)}$	Clock to write error output	WRERR	Time after WRCLK that the Write Error signal is stable at the WRERR outputs of the FIFO.
$T_{RCKO_RDCOUNT}^{(4)}$	Clock to read pointer output	RDCOUNT	Time after RDCLK that the Read pointer signal is stable at the RDCOUNT outputs of the FIFO.
$T_{RCKO_WRCOUNT}^{(4)}$	Clock to write pointer output	WRCOUNT	Time after WRCLK that the Write pointer signal is stable at the WRCOUNT outputs of the FIFO.
Reset to Out			
T_{RCO_AEMPTY}	Reset to almost empty output	AEMPTY	Time after reset that the Almost Empty signal is stable at the ALMOSTEMPTY outputs of the FIFO.
T_{RCO_AFULL}	Reset to almost full output	AFULL	Time after reset that the Almost Full signal is stable at the ALMOSTFULL outputs of the FIFO.
T_{RCO_EMPTY}	Reset to empty output	EMPTY	Time after reset that the Empty signal is stable at the EMPTY outputs of the FIFO.
T_{RCO_FULL}	Reset to full output	FULL	Time after reset that the Full signal is stable at the FULL outputs of the FIFO.
T_{RCO_RDERR}	Reset to read error output	RDERR	Time after reset that the Read error signal is stable at the RDERR outputs of the FIFO.
T_{RCO_WRERR}	Reset to write error output	WRERR	Time after reset that the Write error signal is stable at the WRERR outputs of the FIFO.
$T_{RCO_RDCOUNT}$	Reset to read pointer output	RDCOUNT	Time after reset that the Read pointer signal is stable at the RDCOUNT outputs of the FIFO.

Table 2-9: FIFO Timing Parameters (Cont'd)

Parameter	Function	Control Signal	Description
$T_{RCO_WRCOUNT}$	Reset to write pointer output	WRCOUNT	Time after reset that the Write pointer signal is stable at the WRCOUNT outputs of the FIFO.

Notes:

- T_{RDCK_DI} includes parity inputs.
- T_{RCKO_DO} includes parity output (T_{RCKO_DOP}).
- In the 7 series FPGAs, T_{RCKO_AEMPTY} , T_{RCKO_AFULL} , T_{RCKO_EMPTY} , T_{RCKO_FULL} , T_{RCKO_RDERR} , T_{RCKO_WRERR} are combined into T_{RCKO_FLAGS} .
- In the 7 series FPGAs, $T_{RCKO_RDCOUNT}$ and $T_{RCKO_WRCOUNT}$ are combined into $T_{RCKO_POINTERS}$.

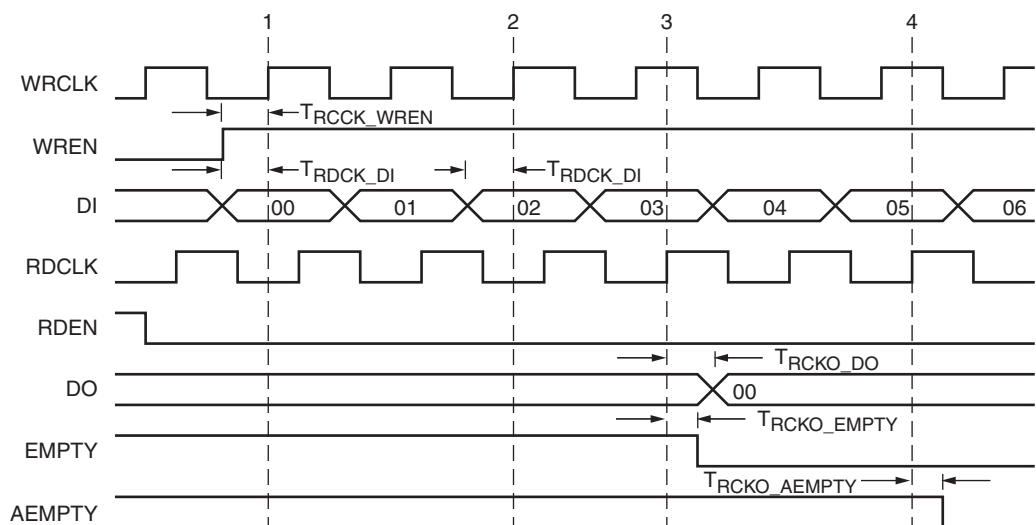
FIFO Timing Characteristics

The various timing parameters in the FIFO are described in this section. There is also additional data on FIFO functionality. The timing diagrams describe the behavior in these six cases.

- [Case 1: Writing to an Empty FIFO](#)
- [Case 2: Writing to a Full or Almost Full FIFO](#)
- [Case 3: Reading from a Full FIFO](#)
- [Case 4: Reading from an Empty or Almost Empty FIFO](#)
- [Case 5: Resetting All Flags](#)
- [Case 6: Simultaneous Read and Write for Dual-Clock FIFO](#)

Case 1: Writing to an Empty FIFO

Prior to the operations performed in [Figure 2-6](#), the FIFO is completely empty.



UG473_c2_06_031411

Figure 2-6: Writing to an Empty FIFO in FWFT Mode

Clock Event 1 and Clock Event 3: Write Operation and Deassertion of EMPTY Signal

During a write operation to an empty FIFO, the content of the FIFO at the first address is replaced by the data value on the DI pins. Three read-clock cycles later (four read-clock cycles for FWFT mode), the EMPTY pin is deasserted when the FIFO is no longer empty. The RDCOUNT also increments by one due to an internal read preloading the data to the output registers.

For the example in [Figure 2-6](#), the timing diagram is drawn to reflect FWFT mode. Clock event 1 is with respect to the write-clock, while clock event 3 is with respect to the read-clock. Clock event 3 appears four read-clock cycles after clock event 1.

- At time T_{RDCK_DI} , before clock event 1 (WRCLK), data 00 becomes valid at the DI inputs of the FIFO.
- At time T_{RCCK_WREN} , before clock event 1 (WRCLK), write enable becomes valid at the WREN input of the FIFO.
- At time T_{RCKO_DO} , after clock event 3 (RDCLK), data 00 becomes valid at the DO output pins of the FIFO. In standard mode, data 00 does not appear at the DO output pins of the FIFO.
- At time T_{RCKO_EMPTY} , after clock event 3 (RDCLK), EMPTY is deasserted. In standard mode, EMPTY is deasserted one read-clock earlier than clock event 3.

If the rising WRCLK edge is close to the rising RDCLK edge, EMPTY could be deasserted one RDCLK period later.

Clock Event 2 and Clock Event 4: Write Operation and Deassertion of Almost EMPTY Signal

Four read-clock cycles after the third data is written into the FIFO, the Almost EMPTY pin is deasserted to signify that the FIFO is not in the almost EMPTY state.

For the example in [Figure 2-6](#), the timing diagram is drawn to reflect FWFT mode. Clock event 2 is with respect to write clock, while clock event 4 is with respect to read clock. Clock event 4 appears four read-clock cycles after clock event 2.

- At time T_{RDCK_DI} , before clock event 2 (WRCLK), data 02 becomes valid at the DI inputs of the FIFO.
- Write enable remains asserted at the WREN input of the FIFO.
- At clock event 4, DO output pins of the FIFO remains at data 00 because no read has been performed. In the case of standard mode, data 00 never appears at the DO output pins of the FIFO.
- At time T_{RCKO_AEMPTY} , after clock event 4 (RDCLK), almost empty is deasserted at the AEMPTY pin. In the case of standard mode, AEMPTY is deasserted in the same way as in FWFT mode.

If the rising WRCLK edge is close to the rising RDCLK edge, AEMPTY could be deasserted one RDCLK period later.

Case 2: Writing to a Full or Almost Full FIFO

Prior to the operations performed in Figure 2-7, the FIFO is almost completely full. In this example, the timing diagram reflects of both standard and FWFT modes.

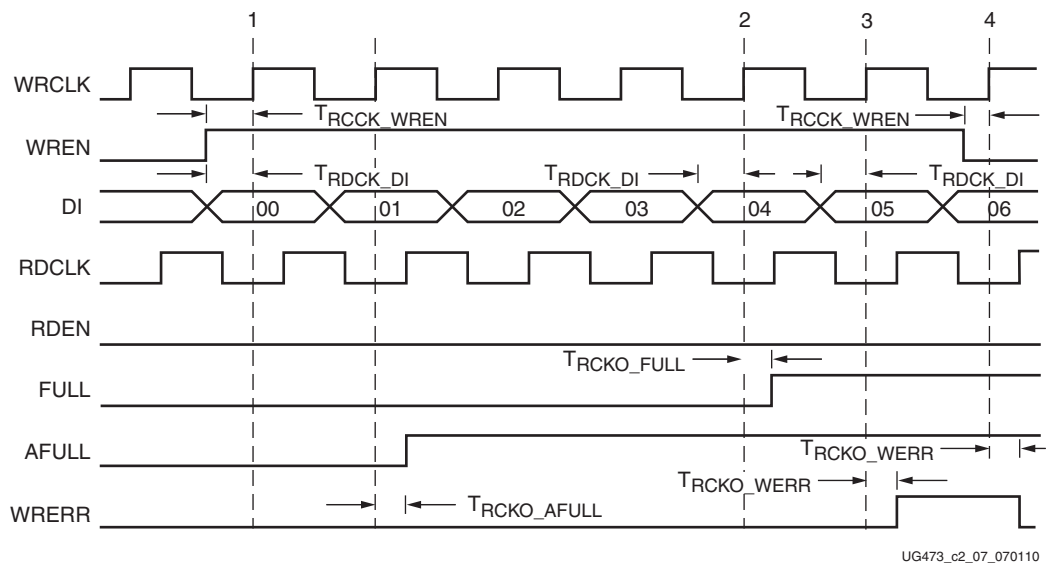


Figure 2-7: Writing to a Full / Almost Full FIFO

Clock Event 1: Write Operation and Assertion of Almost Full Signal

During a write operation to an almost full FIFO, the Almost Full signal is asserted.

- At time T_{RDCK_DI} , before clock event 1 (WRCLK), data 00 becomes valid at the DI inputs of the FIFO.
- At time T_{RCK_WREN} , before clock event 1 (WRCLK), write enable becomes valid at the WREN input of the FIFO.
- At time T_{RCKO_AFULL} , one clock cycle after clock event 1 (WRCLK), Almost Full is asserted at the AFULL output pin of the FIFO.

Clock Event 2: Write Operation and Assertion of Full Signal

The FULL signal pin is asserted when the FIFO is full.

- At time T_{RDCK_DI} , before clock event 2 (WRCLK), data 04 becomes valid at the DI inputs of the FIFO.
- Write enable remains asserted at the WREN input of the FIFO.
- At time T_{RCKO_FULL} , after clock event 2 (WRCLK), Full is asserted at the FULL output pin of the FIFO.

If the FIFO is full, and a read followed by a write is performed, the write might not be successful, depending on the timing between read and write. Consult the simulation model for the exact behavior.

Clock Event 3: Write Operation and Assertion of Write Error Signal

The write error signal pin is asserted when data going into the FIFO is not written because the FIFO is in a Full state.

- At time T_{RDCK_DI} , before clock event 3 (WRCLK), data 05 becomes valid at the DI inputs of the FIFO.
- Write enable remains asserted at the WREN input of the FIFO.
- At time T_{RCKO_WRERR} , after clock event 3 (WRCLK), a write error is asserted at the WRERR output pin of the FIFO. Data 05 is not written into the FIFO.

Clock Event 4: Write Operation and Deassertion of Write Error Signal

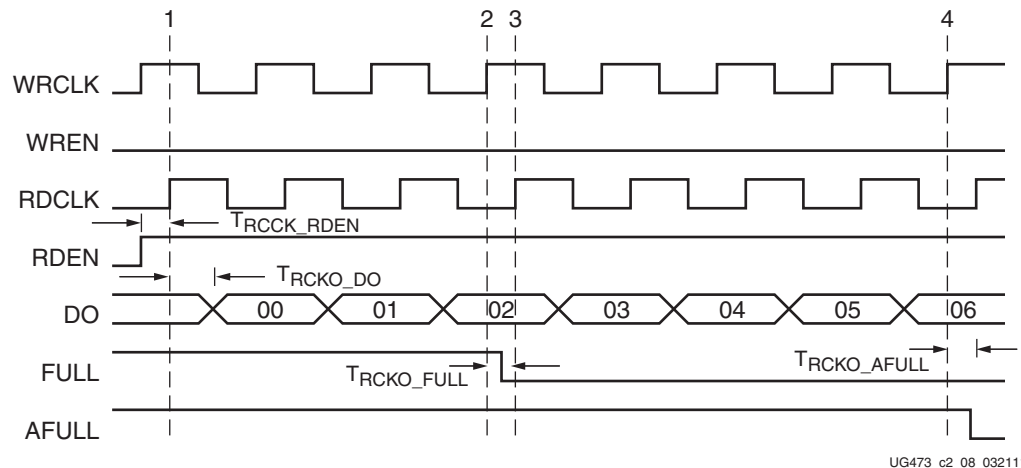
The write error signal pin is deasserted when you stop trying to write into a full FIFO.

- At time T_{RCKO_WREN} , before clock event 4 (WRCLK), write enable is deasserted at the WREN input of the FIFO.
- At time T_{RCKO_WRERR} , after clock event 4 (WRCLK), write error is deasserted at the WRERR output pin of the FIFO.

The write error signal is asserted/deasserted at every write-clock positive edge. As long as both the write enable and Full signals are true, write error remains asserted.

Case 3: Reading from a Full FIFO

Prior to the operations performed in Figure 2-8, the FIFO is completely full.



UG473_c2_08_032111

Figure 2-8: Reading From a Full FIFO

Clock Event 1 and Clock Event 2: Read Operation and Deassertion of Full Signal

During a read operation on a full FIFO, the content of the FIFO at the first address is asserted at the DO output pins of the FIFO. The FULL pin is deasserted three WRCLK cycles after the first read. This is a different behavior from Virtex-6 FPGA functionality.

The example in Figure 2-8 reflects both standard and FWFT modes. Clock event 1 is with respect to read-clock. Clock event 2 appears three write-clock cycles after clock event 1.

- At time T_{RCKO_RDEN} , before clock event 1 (RDCLK), read enable becomes valid at the RDEN input of the FIFO.

- At time T_{RCKO_DO} , after clock event 1 (RDCLK), data 00 becomes valid at the DO outputs of the FIFO.
- At time T_{RCKO_FULL} , after clock event 2 (WRCLK), FULL is deasserted.

If the rising RDCLK edge is close to the rising WRCLK edge, FULL could be deasserted one WRCLK period later.

Clock Event 3 and Clock Event 4: Read Operation and Deassertion of Almost Full Signal

Four write-clock cycles after the fourth data is read from the FIFO, the Almost Full pin is deasserted to signify that the FIFO is not in the almost FULL state.

The example in Figure 2-8 reflects both standard and FWFT modes. Clock event 3 is with respect to read-clock, while clock event 4 is with respect to write-clock. ALMOST_FULL_OFFSET is set to a minimum of 4. Clock event 4 appears four write-clock cycles after clock event 3.

- Read enable remains asserted at the RDEN input of the FIFO.
- At time T_{RCKO_AFULL} , after clock event 4 (RDCLK), Almost Full is deasserted at the AFULL pin.

There is minimum time between a rising read-clock and write-clock edge to guarantee that AFULL is deasserted. If this minimum is not met, the deassertion of AFULL can take an additional write clock cycle.

Case 4: Reading from an Empty or Almost Empty FIFO

Prior to the operations performed in Figure 2-9, the FIFO is almost completely empty. In this example, the timing diagram reflects standard mode. For FWFT mode, data at DO appears one read-clock cycle earlier.

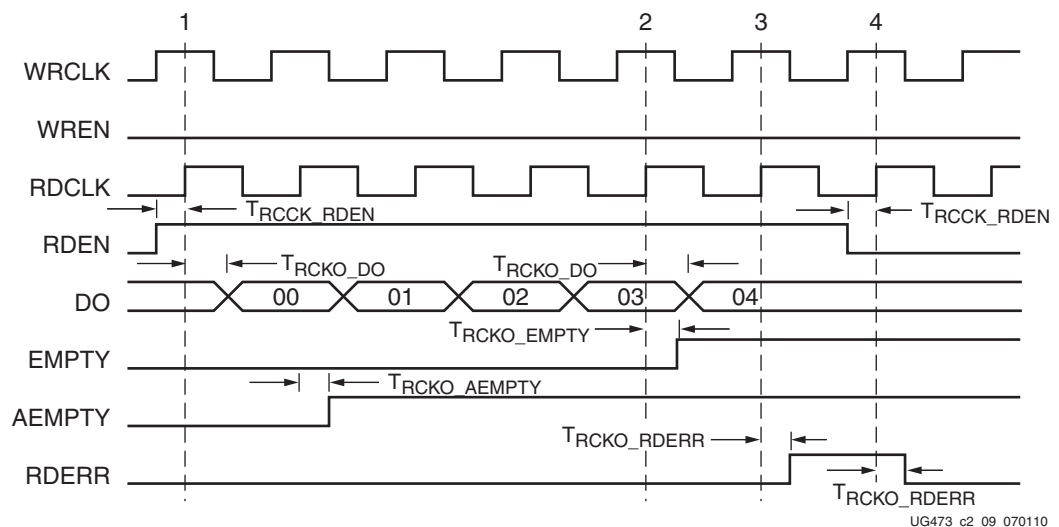


Figure 2-9: Reading from an Empty / Almost Empty FIFO (Standard Mode)

Clock Event 1: Read Operation and Assertion of Almost EMPTY Signal

During a read operation to an almost empty FIFO, the Almost EMPTY signal is asserted.

- At time T_{RCK_RDEN} , before clock event 1 (RDCLK), read enable becomes valid at the RDEN input of the FIFO.
- At time T_{RCKO_DO} , after clock event 1 (RDCLK), data 00 becomes valid at the DO outputs of the FIFO.
- At time T_{RCKO_AEMPTY} , one clock cycle after clock event 1 (RDCLK), Almost Empty is asserted at the AEMPTY output pin of the FIFO.

Clock Event 2: Read Operation and Assertion of EMPTY Signal

The EMPTY signal pin is asserted when the FIFO is empty.

- Read enable remains asserted at the RDEN input of the FIFO.
- At time T_{RCKO_DO} , after clock event 2 (RDCLK), data 04 (last data) becomes valid at the DO outputs of the FIFO.
- At time T_{RCKO_EMPTY} , after clock event 2 (RDCLK), Empty is asserted at the EMPTY output pin of the FIFO.

If the FIFO is empty and a write followed by a read is performed, the read might not be successful, depending on the timing between read and write. Consult the simulation model for the exact behavior.

Clock Event 3: Read Operation and Assertion of Read Error Signal

The read error signal pin is asserted when there is no data to be read because the FIFO is in an empty state.

- Read enable remains asserted at the RDEN input of the FIFO.
- At time T_{RCKO_RDERR} , after clock event 3 (RDCLK), read error is asserted at the RDERR output pin of the FIFO.
- Data 04 remains unchanged at the DO outputs of the FIFO.

Clock Event 4: Read Operation and Deassertion of Read Error Signal

The read error signal pin is deasserted when you stop trying to read from an empty FIFO.

- At time T_{RCK_RDEN} , before clock event 4 (RDCLK), read enable is deasserted at the RDEN input of the FIFO.
- At time T_{RCKO_RDERR} , after clock event 4 (RDCLK), read error is deasserted at the RDERR output pin of the FIFO.

The read error signal is asserted/deasserted at every read-clock positive edge. As long as both the read enable and empty signals are true, the read error signal remains asserted.

Case 5: Resetting All Flags

Figure 2-10 shows the timing when all the flags are reset.

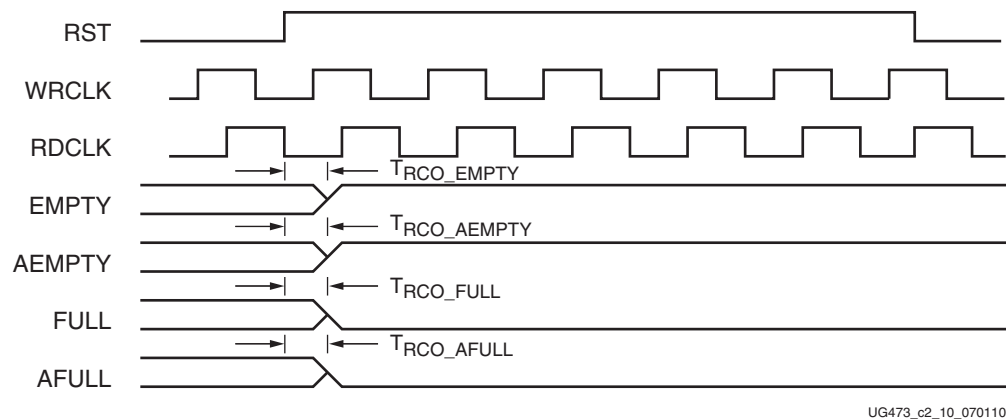


Figure 2-10: Resetting All Flags

When the reset signal is asserted, all flags are reset.

- At time T_{RCO_EMPTY} , after reset (RST), empty is asserted at the EMPTY output pin of the FIFO.
- At time T_{RCO_AEMPTY} , after reset (RST), almost empty is asserted at the AEMPTY output pin of the FIFO.
- At time T_{RCO_FULL} , after reset (RST), full is deasserted at the FULL output pin of the FIFO.
- At time T_{RCO_AFULL} , after reset (RST), almost full is deasserted at the AFULL output pin of the FIFO.

Reset is an asynchronous signal used to reset all flags. Hold the reset signal High for five read and write clock cycles to ensure that all internal states and flags are reset to the correct value.

Case 6: Simultaneous Read and Write for Dual-Clock FIFO

Simultaneous read and write operations for an asynchronous FIFO is not deterministic when the FIFO is at the condition to assert a status flag. The FIFO logic resolves the situation (either assert or not assert the flag), the software simulation model cannot reflect this behavior and mismatch can occur. When using a single clock for RDCLK and WRCLK, use the FIFO in synchronous mode ($EN_SYN = TRUE$).

FIFO Applications

A FIFO larger than a single 7 series FPGAs FIFO block can be created by:

- Cascading two or more FIFOs to form a deeper FIFO.
- Building a wider FIFO by connecting two or more FIFOs in parallel.

Cascading FIFOs to Increase Depth

Figure 2-11 shows a way of cascading N FIFO36s to increase depth. The application sets the first N - 1 FIFOs in FWFT mode and uses external resources to connect them together. The

data latency of this application is the sum of the individual FIFO latencies. The maximum frequency is limited by the feedback path. The NOR gate is implemented using CLB logic.

- N can be 2 or more; if N is 2, the middle FIFOs are not needed.
- If WRCLK is faster than RDCLK, then INTCLK = WRCLK
- If WRCLK is equal to or slower than RDCLK, then INTCLK = RDCLK
- ALMOSTEMPTY threshold is set in the Nth FIFO; ALMOSTFULL threshold is set in the first FIFO.

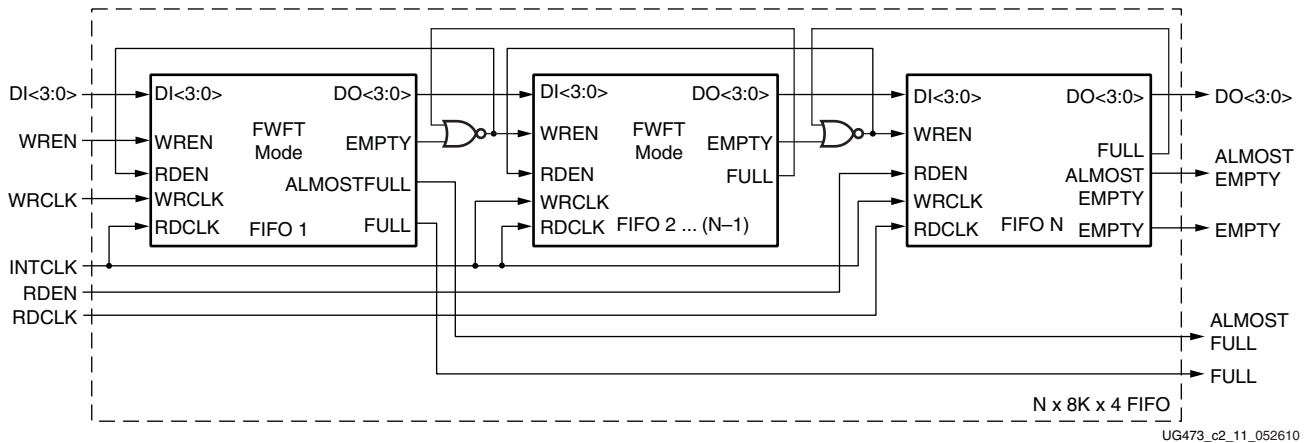
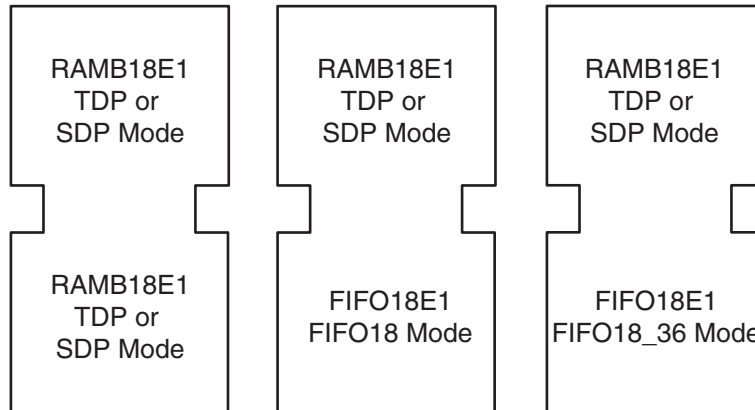


Figure 2-11: Example: Cascading Multiple FIFOs by Depth

Legal Block RAM and FIFO Combinations

The block RAM–FIFO combinations shown in [Figure 2-13](#) are supported in a single RAMB36 primitive. When placing block RAM and FIFO primitives in the same location, the FIFO must occupy the lower port.



UG473_c2_13_052610

Figure 2-13: Legal Block RAM and FIFO Combinations

Built-in Error Correction

Overview

The RAMB36E1 in simple dual-port mode can be configured as a single 512 × 64 RAM with built in Hamming code error correction, using the extra 8 bits in the 72-bit wide RAM. The operation is transparent to you.

Eight protection bits (ECCPARITY) are generated during each write operation and stored with the 64-bit data into the memory. These ECCPARITY bits are used during each read operation to correct any single-bit error, or to detect (but not correct) any double-bit error. The ECCPARITY bits are written into the memory and output to the FPGA logic at each rising edge of the WRCLK. There are no optional output registers available on the ECCPARITY output bits.

During each read operation, 72 bits of data (64 bits of data and 8 bits of parity) are read from the memory and fed into the ECC decoder. The ECC decoder generates two status outputs (SBITERR and DBITERR) that are used to indicate the three possible read results: No error, single-bit error corrected, double-bit error detected. In the standard ECC mode, the read operation does not correct the error in the memory array, it only presents corrected data on DO. To improve F_{MAX} , optional registers controlled by the DO_REG attribute are available for data output (DO), SBITERR, and DBITERR.

The ECC configuration option is available with a 36Kb block RAM (RAMB36E1) in simple dual-port mode or a 36Kb FIFO (FIFO36E1). The RAMB36E1 has a capability to inject errors. The RAMB36E1 has the ability to read back the address where the current data read out is stored. This feature better supports repairing a bit error or invalidating the content of that address for future access. FIFO36E1 supports standard ECC mode and has error-injection capability. FIFO36E1 does not support ECC encode-only mode and does not output the address location being read.

The 7 series FPGAs block RAM ECC also supports both READ_FIRST and WRITE_FIRST modes in identical fashion to the SDP mode.

ECC Modes

In the standard ECC mode (`EN_ECC_READ = TRUE` and `EN_ECC_WRITE = TRUE`), both encoder and decoder are enabled. During write, 64-bit data and 8-bit ECC generated parity are stored in the array. The external parity bits are ignored. During read, the 72-bit decoded data and parity are read out.

The encoder and decoder can be accessed separately for external use in RAMB36E1 in simple dual-port mode. To use the encoder by itself, the data needs to be sent through the DI port, and the ECCPARITY output port can be sampled. To use the decoder by itself, the encoder is disabled, the data is written into the block RAM and the corrected data and status bits are read out of the block RAM. See [Block RAM \(RAMB36E1\) Attributes](#).

To use the decoder in ECC decode-only mode, set `EN_ECC_WRITE = FALSE` and `EN_ECC_READ = TRUE`.

The encoder can be used in two ways:

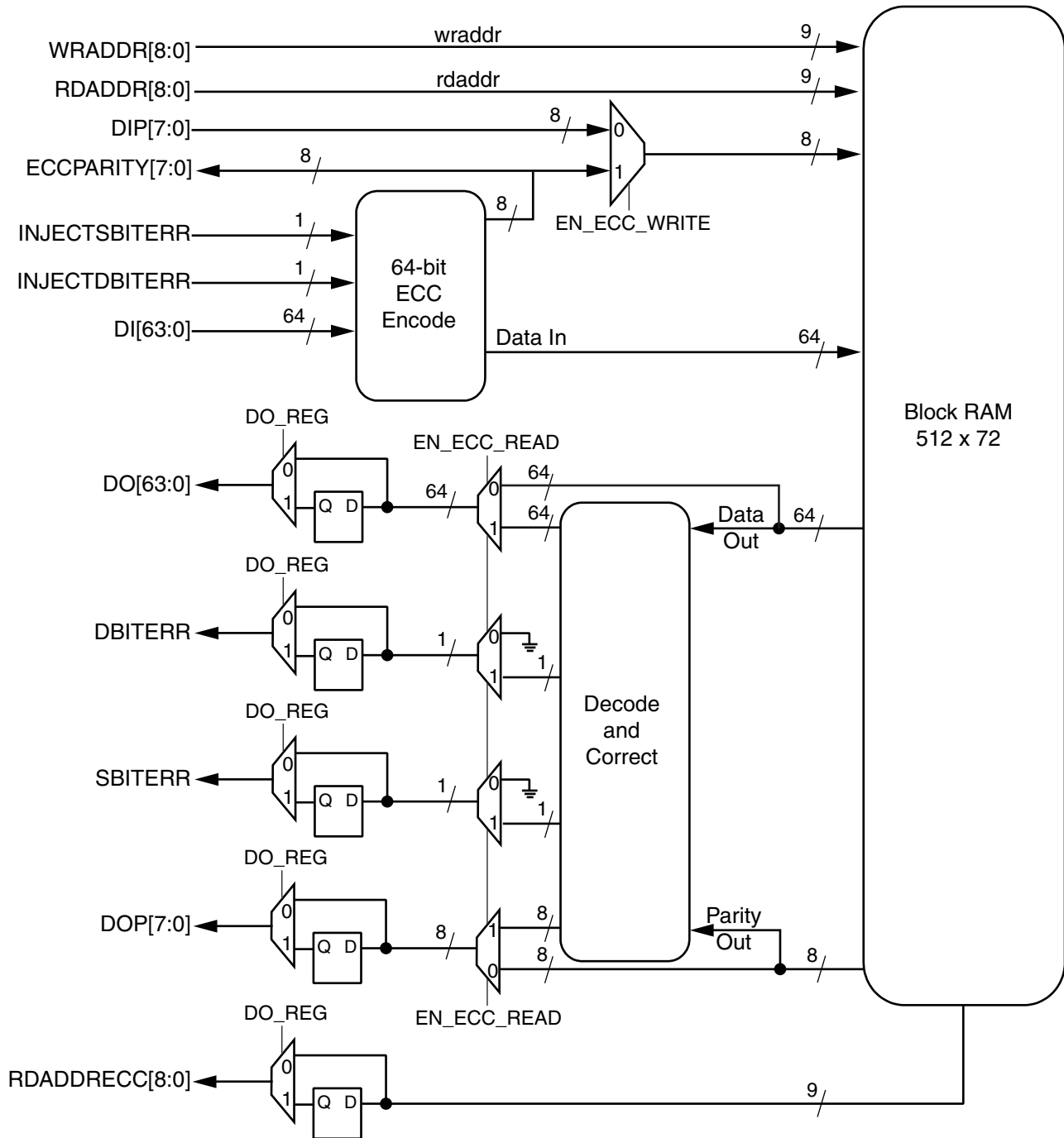
- To use the encoder in standard ECC mode, set (`EN_ECC_WRITE = TRUE` and `EN_ECC_READ = TRUE`). In this mode, ECC parity is not supported.
- To use the encoder-only mode, set (`EN_ECC_WRITE = TRUE` and `EN_ECC_READ = FALSE`). In this mode, ECC parity is supported.

The functionality of the block RAM when using the ECC mode is described as follows:

- The block RAM ports still have independent address, clocks, and enable inputs, but one port is a dedicated write port, and the other is a dedicated read port (simple dual-port).
- DO represents the read data after correction.
- DO stays valid until the next active read operation.
- Simultaneous decoding and encoding of different read/write addresses is allowed; however, simultaneous decoding and encoding of the same read/write address is not allowed.
- In ECC configuration, the block RAM can be in either `READ_FIRST` or `WRITE_FIRST` mode. See also [Conflict Avoidance in Chapter 1](#).

Top-Level View of the Block RAM ECC Architecture

Figure 3-1 shows the top-level view of a 7 series FPGA block RAM in ECC mode.

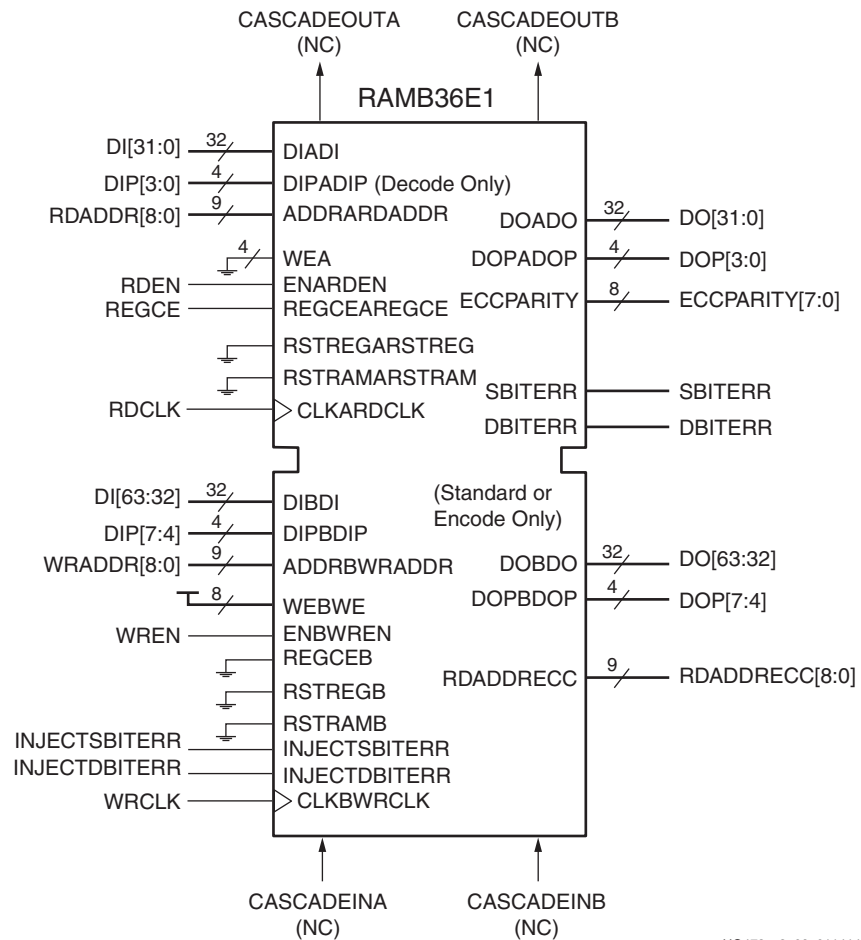


UG473_c3_01_052610

Figure 3-1: Top-Level View of Block RAM ECC

Block RAM and FIFO ECC Primitive

Figure 3-2 shows the block RAM (RAMB36E1) ECC primitive. Only the RAMB36E1 in SDP mode supports ECC.



UG473_c3_02_011414

Figure 3-2: RAMB36E1 SDP Mode: Block RAM ECC

Figure 3-3 shows the FIFO36E1 ECC primitive. The FIFO36_72 mode only supports standard ECC mode and does not support the RDADDRECC output.

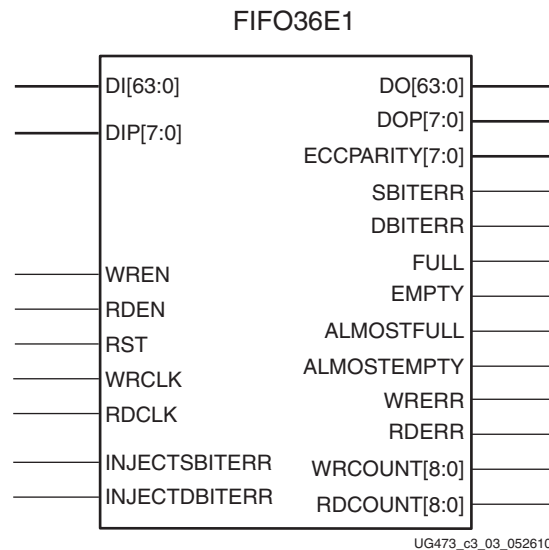


Figure 3-3: FIFO36_72 Mode: FIFO ECC

Block RAM and FIFO ECC Port Descriptions

Table 3-1 lists and describes the block RAM ECC I/O port names.

Table 3-1: RAMB36E1 Port Names and Descriptions Including ECC Ports

Port Name	Signal Description
DIADI[31:0]	Port A data inputs addressed by ADDRBRWADDR in ECC mode. See Table 1-15 for SDP mode port name mapping.
DIPADIP[3:0]	Port A data parity inputs addressed by ADDRBRWADDR in ECC mode. See Table 1-15 for SDP mode port name mapping.
DIBDI[31:0]	Port B data inputs addressed by ADDRBRWADDR. See Table 1-15 for SDP mode port name mapping.
DIPBDIP[3:0]	Port B data parity inputs addressed by ADDRBRWADDR. See Table 1-15 for SDP mode port name mapping.
ADDRARDADDR [15:0]	Port A address input bus. In RAM_MODE = SDP, this is the RDADDR bus. In ECC mode only bits [14:6] are used.
ADDRBRWADDR[15:0]	Port B address input bus. In RAM_MODE = SDP, this is the WRADDR bus. In ECC mode only bits [14:6] are used.
WEA[3:0]	Port A byte-wide Write enable. Not used in RAM_MODE = SDP. In ECC mode, connect WEA to GND.
WEBWE[7:0]	Port B byte-wide Write enable (WEBWE [3:0]). In RAM_MODE = SDP, this is the byte-wide Write enable. In ECC mode, connect this port to a logic High.
ENARDEN	Port A enable. In RAM_MODE = SDP or ECC, this is the RDEN.
ENBWREN	Port B enable. In RAM_MODE = SDP or ECC, this is the WREN.
RSTREGARSTREG	Synchronous output register set/reset as initialized by SRVAL_A (DO_REG = 1). RSTREG_PRIORITY_A determines the priority over REGCE. In RAM_MODE = SDP, this is the RSTREG. In ECC mode, connect RSTREGARSTREG to GND.

Table 3-1: RAMB36E1 Port Names and Descriptions Including ECC Ports (Cont'd)

Port Name	Signal Description
RSTREGB	Synchronous output register set/reset as initialized by SRVAL_B (DO_REG = 1). RSTREG_PRIORITY_B determines the priority over REGCE. In SDP (ECC) mode, connect RSTREGB to GND.
RSTRAMARSTRAM	Synchronous output latch set/reset as initialized by SRVAL_A (DO_REG = 0). In RAM_MODE = SDP, this is the RSTRAM. In ECC mode, connect to GND.
RSTRAMB	Synchronous output latch set/reset as initialized by SRVAL_B (DO_REG = 0). In SDP (ECC) mode, connect REGCEB to GND.
CLKARDCLK	Port A clock input. In RAM_MODE = SDP this is the RDCLK.
CLKBWRCLK	Port B clock input. In RAM_MODE = SDP this is the WRCLK.
REGCEAREGCE	Port A output register clock enable (DO_REG = 1). In RAM_MODE SDP and ECC, this is the REGCE.
REGCEB	Port B output register clock enable (DO_REG = 1). In ECC mode, connect REGCEB to GND.
CASCADEINA	Port A cascade input. Used in RAM_MODE = TDP only.
CASCADEINB	Port B cascade input. Used in RAM_MODE = TDP only.
CASCADEOUTA	Port A cascade output. Used in RAM_MODE = TDP only.
CASCADEOUTB	Port B cascade output. Used in RAM_MODE = TDP only.
DOADO[31:0]	Port A data output bus addressed by ADDRARDADDR. See Table 1-15 for SDP mode port name mapping.
DOPADOP[3:0]	Port A parity output bus addressed by ADDRARDADDR. See Table 1-15 for SDP mode port name mapping.
DOBDO[31:0]	Port B Data output bus addressed by ADDRARDADDR. See Table 1-15 for SDP mode port name mapping.
DOPBDOP[3:0]	Port B parity output bus addressed by ADDRARDADDR. See Table 1-15 for SDP mode port name mapping.
ECC Port Names (Not used if RAM_MODE = TDP)	
INJECTSBERR	Inject single-bit error if ECC is used. Creates a single-bit error at a particular block RAM bit location when asserted during write. The block RAM ECC logic corrects this error when this location is read back. The error is created in bit DI[30].
INJECTDBERR	Inject double-bit error if ECC is used. Creates a double-bit error at two particular block RAM bit locations when asserted during write. The block RAM ECC logic flags a double-bit error when this location is read back. When both INJECTSBERR and INJECTDBERR signals are simultaneously asserted, then a double-bit error is injected. The errors are created in bits DI[30] and DI[62].
ECCPARITY[7:0]	ECC encoder output bus for ECC used in encode-only mode.
SBITERR	ECC single-bit error output status.
DBITERR	ECC double-bit error output status.
RDADRECC[8:0]	ECC read address. Address pointer to the data currently read out. The data and corresponding address are available in the same cycle.

Notes:

1. Hamming code implemented in the block RAM ECC logic detects one of three conditions: no detectable error, single-bit error detected and corrected on DO (but not corrected in the memory), and double-bit error detected without correction. SBITERR and DBITERR indicate these three conditions.

Table 3-2 lists and describes the FIFO ECC I/O port names.

Table 3-2: FIFO ECC Port Names and Descriptions

Port Name	Direction	Signal Description
DI[63:0]	Input	Data input bus.
DIP[7:0]	Input	Data input parity bus. Not used when standard mode is used.
WREN	Input	Write enable. When WREN = 1, data is written into memory. When WREN = 0, write is disabled.
RDEN	Input	Read enable. When RDEN = 1, data is read from memory. When RDEN = 0, read is disabled.
RSTREG	Input	Not supported when using the block RAM ECC primitive. Always connect to GND.
RSTRAM	Input	Not supported when using the block RAM ECC primitive. Always connect to GND.
RST	Input	Asynchronous reset of FIFO counter and flags. Reset must be asserted for three clock cycles. Reset does not affect DO or ECC signals.
WRCLK	Input	Clock for write operations.
RDCLK	Input	Clock for read operations.
INJECTSBITERR	Input	Creates a single-bit error at a particular block RAM bit when asserted during write. The block RAM ECC logic corrects this error when this location is read back. The error is created in bit DI[30].
INJECTDBITERR	Input	Creates a double-bit error at two particular block RAM bits when asserted during write. The block RAM ECC logic flags a double-bit error when this location is read back. When both INJECTBITERR signals are simultaneously asserted, a double-bit error is injected. The errors are created in bit DI[30] and DI[62].
DO[63:0]	Output	Data output bus.
DOP[7:0]	Output	Data output parity bus.
SBITERR ⁽¹⁾	Output	Single-bit error status.
DBITERR ⁽¹⁾	Output	Double-bit error status.
ECCPARITY[7:0]	Output	Not supported.
FULL	Output	FIFO Full flag.
ALMOSTFULL	Output	FIFO Almost Full flag.
EMPTY	Output	FIFO Empty flag.
ALMOSTEMPTY	Output	FIFO Almost Empty flag.
RDCOUNT	Output	The FIFO data read pointer.
WRCOUNT	Output	The FIFO data write pointer.
WRERR	Output	When the FIFO is full, any additional write operation generates an error flag.
RDERR	Output	When the FIFO is empty, any additional read operation generates an error flag.

Notes:

1. Hamming code implemented in the FIFO ECC logic detects one of three conditions: no detectable error, single-bit error detected and corrected on DO (but not corrected in the memory), and double-bit error detected without correction. SBITERR and DBITERR indicate these three conditions.

Block RAM and FIFO ECC Attributes

In addition to the built-in registers in the decode and correct logic, the RAMB36E1 primitive allows the use of optional pipeline registers controlled by the DO_REG attribute to produce higher performance with one additional latency. [Table 3-3](#) and [Table 3-4](#) list the block RAM and FIFO ECC attributes.

Table 3-3: Block RAM (RAMB36E1) Attributes

Attribute Name	Type	Values	Default	Notes
EN_ECC_WRITE	Boolean	TRUE, FALSE	FALSE	Set to TRUE to enable ECC encoder.
EN_ECC_READ	Boolean	TRUE, FALSE	FALSE	Set to TRUE to enable ECC decoder.
DO_REG	1-bit Binary	0, 1	0	Enables register mode or latch mode.

Table 3-4: FIFO (FIFO36E1) Attributes

Attribute Name	Type	Values	Default	Notes
EN_ECC_WRITE	Boolean	TRUE, FALSE	FALSE	Set to TRUE to enable ECC encoder.
EN_ECC_READ	Boolean	TRUE, FALSE	FALSE	Set to TRUE to enable ECC decoder.
DO_REG	1-bit Binary	0, 1	1	Enables register mode or latch mode. See Table 2-5 for details on dual-clock and synchronous FIFOs.
EN_SYN	Boolean	TRUE, FALSE	FALSE	When set to TRUE, ties WRCLK and RDCLK together. When set to TRUE, FWFT must be FALSE. When set to FALSE, DO_REG must be 1.
ALMOST_EMPTY_OFFSET	9-bit Hex	See Table 2-8	See Table 2-8	Setting determines the difference between EMPTY and ALMOSTEMPTY conditions. Must be set using hexadecimal notation.
ALMOST_FULL_OFFSET	9-bit Hex	See Table 2-8	See Table 2-8	Setting determines the difference between FULL and ALMOSTFULL conditions. Must be set using hexadecimal notation.
FIRST_WORD_FALL_THROUGH	Boolean	TRUE, FALSE	FALSE	When set to TRUE, the first word written into the empty FIFO appears at the output in FIFO36_72 mode without RDEN asserted. Valid only when EN_SYN = FALSE.

ECC Modes of Operation

There are three types of ECC operation: standard, encode only, and decode only. The standard ECC mode uses both the encoder and decoder.

The various modes of ECC operation in both block RAM and FIFO are shown in [Figure 3-4](#) through [Figure 3-9](#). The block RAM WRADDR and RDADDR address inputs are supplied

by you. The FIFO WRADDR and RDADDR addresses are generated internally from the write counter and read counter.

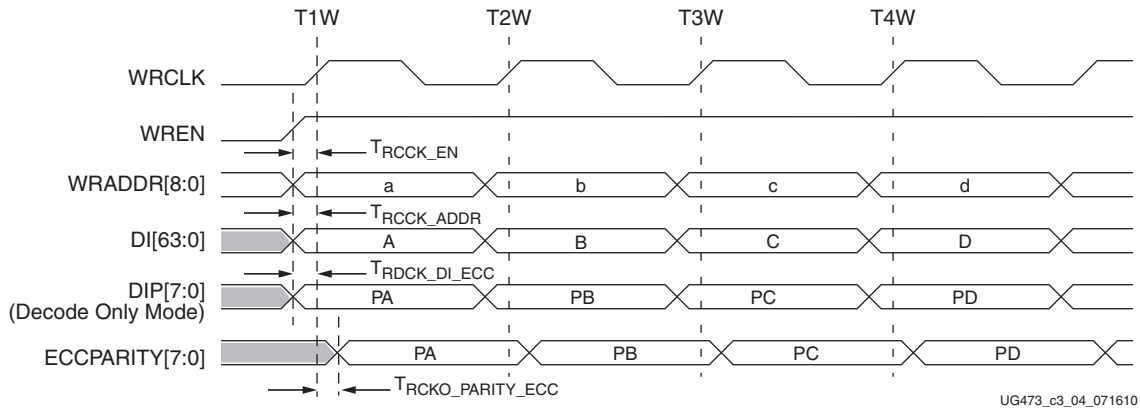


Figure 3-4: ECC Write Operation

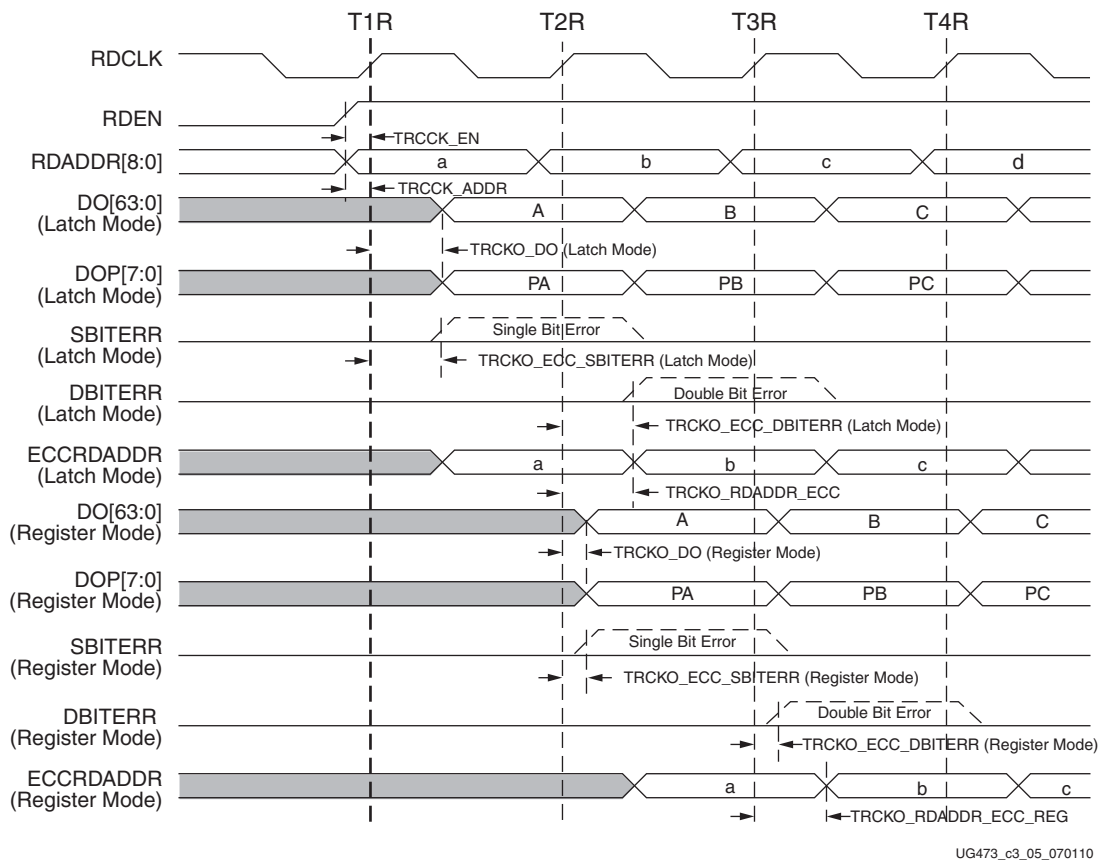
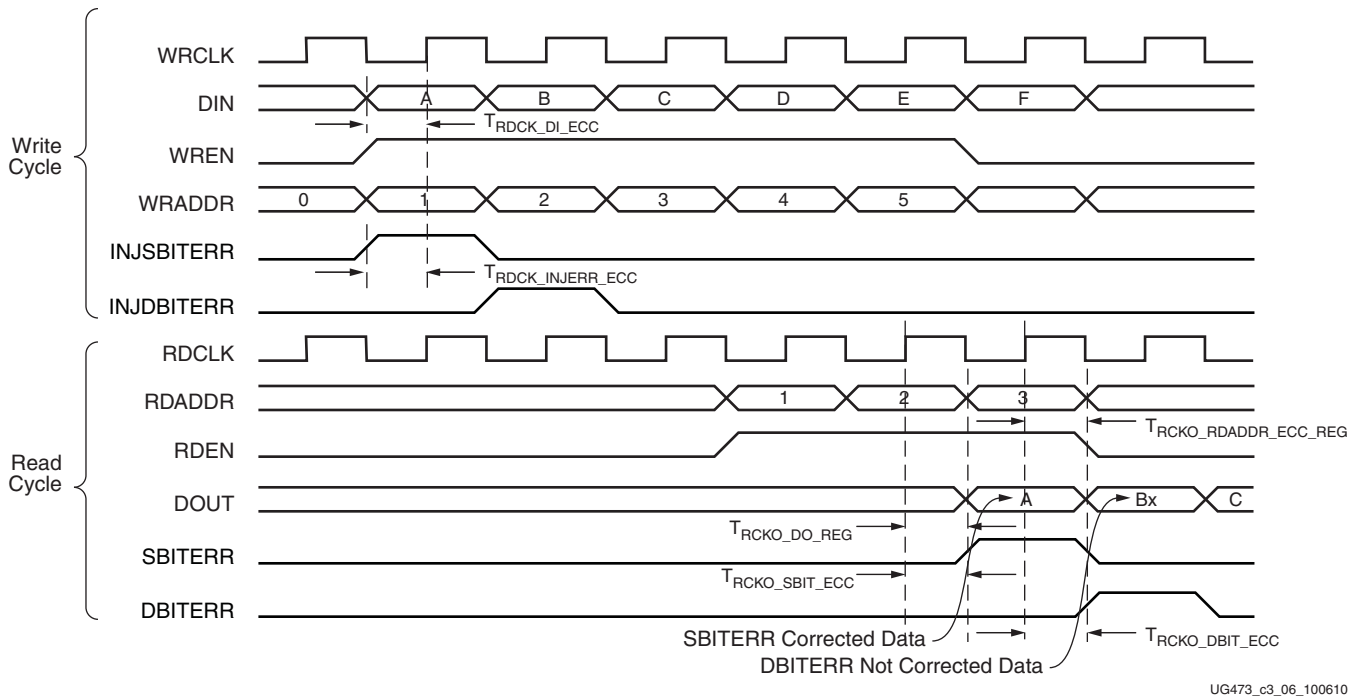
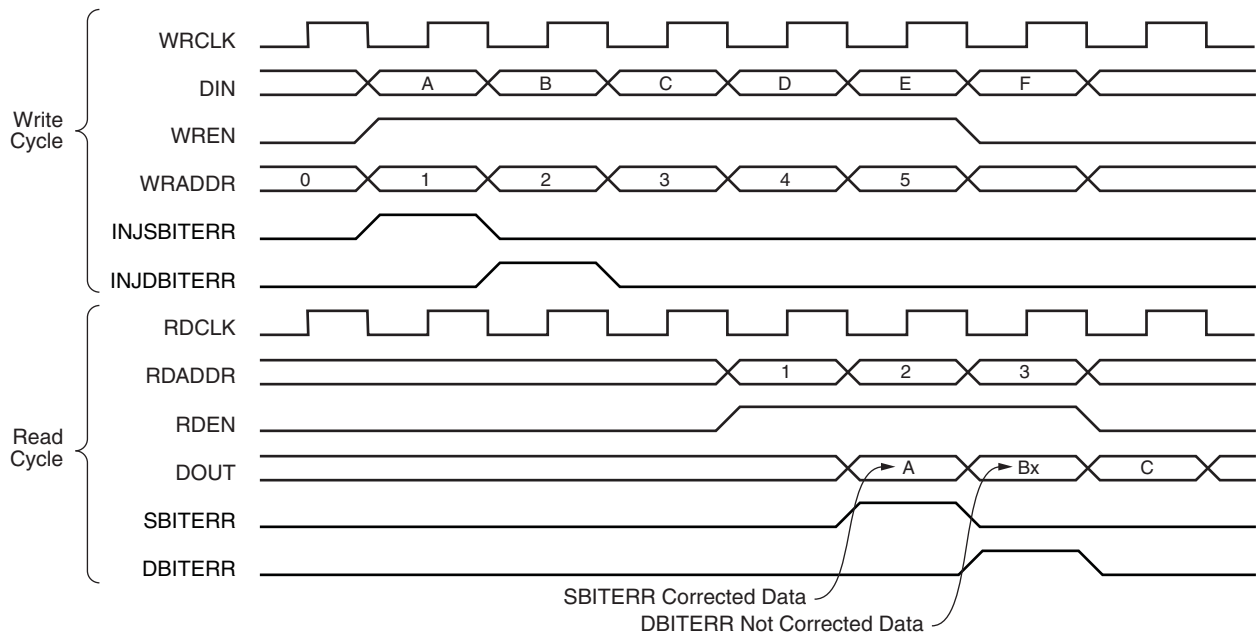


Figure 3-5: ECC Read Operation



UG473_c3_06_100610

Figure 3-6: Single Double-Bit Error Injection in Register Mode



UG473_c3_07_070110

Figure 3-7: Single Double-Bit Error Injection in Latch Mode

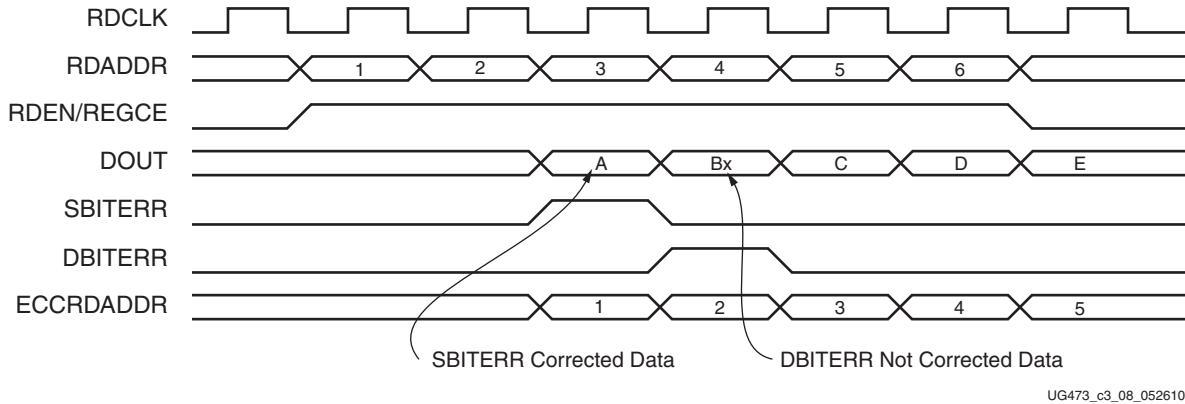


Figure 3-8: ECCRDADDR Timing in Register Mode

Note relevant to Figure 3-8:

1. Data (DOUT) and corresponding address (ECCRDADDR) are available to you in same phase.

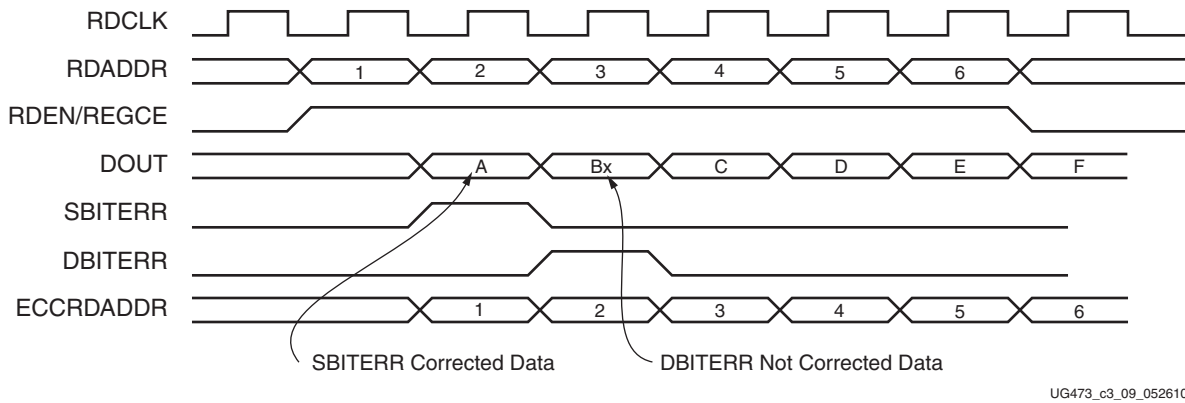


Figure 3-9: ECCRDADDR Timing in Latch Mode

Note relevant to Figure 3-9:

1. Data (DOUT) and corresponding address (ECCRDADDR) are available to you in same phase.

Standard ECC

Set by Attributes

```
EN_ECC_READ = TRUE
EN_ECC_WRITE = TRUE
```

Standard ECC Write

This is shown in [Figure 3-4](#).

At time T1W, DI[63:0] = A is written into memory location *a*. The corresponding 8 bits of ECC parity PA (hex) are generated internally, appended to the 64 data bits, and written into the memory. Immediately after the write, the parity value PA appears at output ECCPARITY[7:0]. Because ECC parity is generated internally, DIP[7:0] pins are not used. In standard ECC mode, ECC parity is not supported.

Similarly, at time T2W and T3W, DI[63:0] = B and C, together with their corresponding parity bits PB (hex) and PC (hex) are written into memory locations *b* and *c*. PB and PC appear at output ECCPARITY[7:0] shortly after T2W and T3W.

Standard ECC Read

This is shown in [Figure 3-5](#).

At time T1R, the 72-bit memory content, consisting 64 bits of data A and 8 bits of parity PA (hex), of address location *a* is read and decoded internally. If there is no error, the original data and parity are output at DO[63:0] and DOP[7:0]. If there is a single-bit error in either the data or the parity, the error is corrected, and SBITERR is High. If there is a double-bit error in the data and parity, the error is not corrected. The original data and parity is output and DBITERR is High.

If attribute DO_REG is set to 0, DO[63:0] = A and DOP[7:0] = PA shortly after T1R. Similarly, at time T2R and T3R, the memory content at address locations *b* and *c* are read and decoded at DO[63:0] and DOP[7:0]. SBITERR/DBITERR outputs can also switch after T1R if a single or double-bit error is detected on dataset A. [Figure 3-7](#) shows a single-bit error (SBITERR) being detected on data A in latch mode after clock edge T1R and a double-bit error (DBITERR) being detected on data B in latch mode after clock edge T2R.

If attribute DO_REG is set to 1, DO[63:0] = A and DOP[7:0] = PA shortly after T2R. Similarly, at time T3R and T4R, the memory content at address locations *b* and *c* is read and decoded at DO[63:0] and DOP[7:0]. SBITERR/DBITERR outputs can also switch after T2R if a single- or double-bit error is detected on dataset A. [Figure 3-6](#) shows a single-bit error (SBITERR) being detected on data A in register mode after clock edge T2R and a double-bit error (DBITERR) being detected on data B in register mode after clock edge T3R.

In ECC mode, the encode-only port and the decode-only port operate independently of each other.

ECC Encode Only

Set by Attributes

```
EN_ECC_READ = FALSE
EN_ECC_WRITE = TRUE
```

ECC Encode-Only Write

At time T1W, DI[63:0] = A is written into memory location *a*. The corresponding 8 bits of ECC parity PA (hex) are generated internally, appended to the 64 data bits, and written into the memory. Immediately after the write, the parity value PA appears at output ECCPARITY[7:0]. Because ECC parity is generated internally, DIP[7:0] pins are not used.

Similarly, at time T2W and T3W, DI[63:0] = B and C, together with their corresponding parity bits PB (hex) and PC (hex) are written into memory locations *b* and *c*. PB and PC appear at output ECCPARITY[7:0] shortly after T2W and T3W.

ECC Encode-Only Read

ECC encode-only read is identical to normal block RAM read. 64-bit data appears at DO[63:0] and 8-bit parity appears at DOP[7:0]. Single-bit error correction does not happen, and the error flags SBITERR and DBITERR is never asserted.

ECC Decode Only

Set by Attributes

```
EN_ECC_READ = TRUE
EN_ECC_WRITE = FALSE
```

In ECC decode-only, only the ECC decoder is enabled. The ECC encoder is disabled. Decode-only mode is used to inject single-bit or double-bit errors to test the functionality of the ECC decoder. The ECC parity bits must be externally supplied using the DIP[7:0] pins.

Using ECC Decode Only to Inject Single-Bit Error

- At time T1W, T2W, T3W, DI[63:0] = A, B, C with single-bit error and DIP[7:0] = PA (hex), PB (hex), PC (hex), the corresponding ECC parity bits for A, B, and C are written into memory locations *a*, *b*, and *c*.
- At time T1R, T2R, T3R, the contents of address *a*, *b*, and *c* are read out and corrected as needed.
- Latch mode: DO[63:0] = A, B, C, DOP[7:0] = PA, PB, PC shortly after T1R, T2R, T3R.
- Register mode: DO[63:0] = A, B, C, DOP[7:0] = PA, PB, PC shortly after T2R, T3R, T4R.
- SBITERR lines up with the corresponding DO/DOP data.

The ECC decoder also corrects single-bit error in parity bits.

Using the ECC Decode-Only to Inject Double-Bit Error

- At time T1W, T2W, T3W, DI[63:0] = A, B, C with double-bit error and DIP[7:0] = PA (hex), PB (hex), PB (hex), the corresponding ECC parity bits for A, B, and C are written into memory location *a*, *b*, and *c*.
- At time T1R, T2R, T3R, the original contents of address *a*, *b*, and *c* are read out and a double-bit error is detected.
- Latch mode: DO[63:0] = A, B, C with double-bit error, DOP[7:0] = PA, PB, PC shortly after T1R, T2R, T3R.
- Register mode: DO[63:0] = A, B, C with double-bit error, DOP[7:0] = PA, PB, PC shortly after T2R, T3R, T4R.
- DBITERR lines up with the corresponding DO/DOP data.

The ECC decoder also detects when double-bit error in parity bits occurs, and when a single-bit error in the data bits and a single-bit error in the corresponding parity bits occurs.

ECC Timing Characteristics

The various ECC timing parameters are also shown in [Figure 3-4](#), through [Figure 3-7](#).

Because write clock and read clock are independent of each other, all write timing in [Figure 3-4](#) is referenced to WRCLK. All read timing in [Figure 3-5](#) is referenced to RDCLK.

Standard ECC Write Timing

Refer to [Figure 3-4](#).

- At time TRCCK_EN, before time T1W, write enable becomes valid at the WREN input of the block RAM.
- At time TRCCK_ADDR, before time T1W, write address *a* becomes valid at the WRADDR[8:0] inputs of the block RAM. WRADDR input is not needed for FIFO.
- At time TRDCK_DI_ECC (standard ECC), before time T1W, write data A (hex) becomes valid at the DI[63:0] inputs of the block RAM.
- At time TRCKO_ECC_PARITY (standard ECC), after time T1W, ECC parity data PA (hex) becomes valid at the ECCPARITY[7:0] output pins of the block RAM.

Standard ECC Read Timing

Refer to [Figure 3-5](#).

- At time TRCCK_EN, before time T1R, read enable becomes valid at the RDEN input of the block RAM.
- At time TRCCK_ADDR, before time T1R, write address *a* becomes valid at the RDADDR[8:0] inputs of the block RAM. RDADDR input is not needed for FIFO.

DO_REG = 0

- At time TRCKO_DO (latch mode), after time T1R, data A (hex) becomes valid at the DO[63:0] output pins of the block RAM.
- At time TRCKO_DOP (latch mode), after time T1R, data PA (hex) becomes valid at the DOP[7:0] output pins of the block RAM.
- At time TRCKO_ECC_SBITERR (latch mode), after time T1R, SBITERR is asserted if single-bit error is detected and corrected on data set A.
- At time TRCKO_ECC_DBITERR (latch mode), after time T2R, DBITERR is asserted if double-bit error is detected on data set B.

DO_REG = 1

- At time TRCKO_DO (register mode), after time T2R, data A (hex) becomes valid at the DO[63:0] output pins of the block RAM.
- At time TRCKO_DOP (register mode), after time T2R, data PA (hex) becomes valid at the DOP[7:0] output pins of the block RAM.
- At time TRCKO_ECCR_SBITERR (register mode), after time T2R, SBITERR is asserted if single-bit error is detected and corrected on data set A.
- At time TRCKO_ECCR_DBITERR (register mode), after time T3R, DBITERR is asserted if double-bit error is detected on data set B.

Encode-Only ECC Write Timing

Refer to [Figure 3-4](#).

- Setup/hold time for WREN and WRADDR are the same as standard ECC.
- At time TRDCK_DI_ECC (encode-only ECC), before time T1W, write data A (hex) becomes valid at the DI[63:0] inputs of the block RAM.
- At time TRCKO_ECC_PARITY (encode-only ECC), after time T1W, ECC parity data PA (hex) becomes valid at the ECCPARITY[7:0] output pins of the block RAM.

Encode-Only ECC Read Timing

- Encode-only ECC read timing are the same as normal block RAM read timing.

Decode-Only ECC Write Timing

- Decode-only ECC write timing is the same as normal block RAM write timing.

Decode-Only ECC Read Timing

- Decode-only ECC read timing is the same as standard ECC read timing.

Block RAM ECC Mode Timing Parameters

Table 3-5 shows the 7 series FPGAs block RAM ECC mode timing parameters.

Table 3-5: Block RAM ECC Mode Timing Parameters

Parameter	Function	Control Signal	Description
Setup and Hold Relative to Clock (CLK)			
T_{RxCk_x} = Setup time (before clock edge) and T_{RCKx_x} = Hold time (after clock edge)			
$T_{RDCK_DI_ECC}$ (Standard ECC Mode)	Data Inputs ⁽¹⁾	DI	Time before the clock that data must be stable at the DI inputs of the block RAM. Standard ECC mode.
$T_{RCKD_DI_ECC}$ (Standard ECC Mode)			Time after the clock that data must be stable at the DI inputs of the block RAM. Standard ECC mode.
$T_{RDCK_DI_ECCW}$ (Encode-only Mode)	Data Inputs ⁽¹⁾	DI	Time before the clock that data must be stable at the DI inputs of the block RAM. Encode-only mode.
$T_{RCKD_DI_ECCW}$ (Encode-only Mode)			Time after the clock that data must be stable at the DI inputs of the block RAM. Encode-only mode.
$T_{RDCK_DI_ECC_FIFO}$	Data Input to the FIFO in ECC Mode	DI	Time before the clock that data must be stable at the DI inputs of the FIFO in ECC mode.
$T_{RCKD_DI_ECC_FIFO}$			Time after the clock that data must be stable at the DI inputs of the FIFO in ECC mode.
$T_{RDCK_INJERR_ECC}$	Inject Bit-Error Inputs	INJECTSBERR INJECTDBERR	Time before the clock that data must be stable at the INJECT[S/D]BERR inputs of the FIFO in ECC mode.
$T_{RCKD_INJERR_ECC}$			Time after the clock that data must be stable at the INJECT[S/D]BERR inputs of the FIFO in ECC mode.
Clock-to-Out Delays			
$T_{RCKO_DO_ECC}$ (latch mode)	Clock to Output ⁽²⁾	CLK to DO	Time after the clock that the output data is stable at the DO outputs of the block RAM (without output register).
$T_{RCKO_DO_ECC_REG}$ (register mode)	Clock to Output ⁽²⁾	CLK to DO	Time after the clock that the output data is stable at the DO outputs of the block RAM (with output register).
Clock to ECC Delays			
$T_{RCKO_RDADDR_ECC}$ (latch mode)	Clock to Read Address Output	RDADDR	Time after RDCLK that the read address signals are stable at the RDADDR outputs of the block RAM (without output register).
$T_{RCKO_RDADDR_ECC_REG}$ (register mode)	Clock to Read Address Output	RDADDR	Time after RDCLK that the read address signals are stable at the RDADDR outputs of the block RAM (with output register).

Table 3-5: Block RAM ECC Mode Timing Parameters (Cont'd)

Parameter	Function	Control Signal	Description
T _{RCKO_PARITY_ECC} (encode-only mode)	Clock to ECC Parity Output	ECCPARITY	Time after WRCLK that the ECC parity signals are stable at the ECCPARITY outputs of the block RAM (in encode-only mode).
T _{RCKO_SBIT_ECC} (latch mode)	Clock to ECC Single-Bit-Error Output	SBITERR	Time after RDCLK that the single-bit-error signal is stable at the SBITERR output of the block RAM (without output register).
T _{RCKO_SBIT_ECC_REG} (register mode)	Clock to ECC Single-Bit-Error Output	SBITERR	Time after RDCLK that the single-bit-error signal is stable at the SBITERR output of the block RAM (with output register).
T _{RCKO_DBIT_ECC} (latch mode)	Clock to ECC Double-Bit-Error Output	DBITERR	Time after RDCLK that the double-bit-error signal is stable at the DBITERR output of the block RAM (without output register).
T _{RCKO_DBIT_ECC_REG} (register mode)	Clock to ECC Double-Bit-Error Output	DBITERR	Time after RDCLK that the double-bit-error signal is stable at the DBITERR output of the block RAM (with output register).

Notes:

1. T_{RDCK_DI_ECC}/T_{RCKD_DI_ECC} include the parity input T_{RDCK_DIP_ECC}/T_{RCKD_DIP_ECC}.
2. T_{RCKO_DO_ECC} and T_{RCKO_DO_ECC_REG} includes parity output.

Creating 8 Parity Bits for a 64-bit Word

Using logic external to the block RAM (a large number of XOR circuits), 8 parity bits can be created for a 64-bit word. However, using ECC encoder-only mode, the 8 parity bits can be automatically created without additional logic by writing any 64-bit word into a separate block RAM. The encoded 8-bit ECC parity data is immediately available, or the complete 72-bit word can be read out.

Block RAM ECC VHDL and Verilog Templates

VHDL and Verilog templates are available in the Libraries Guide.

